



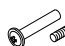






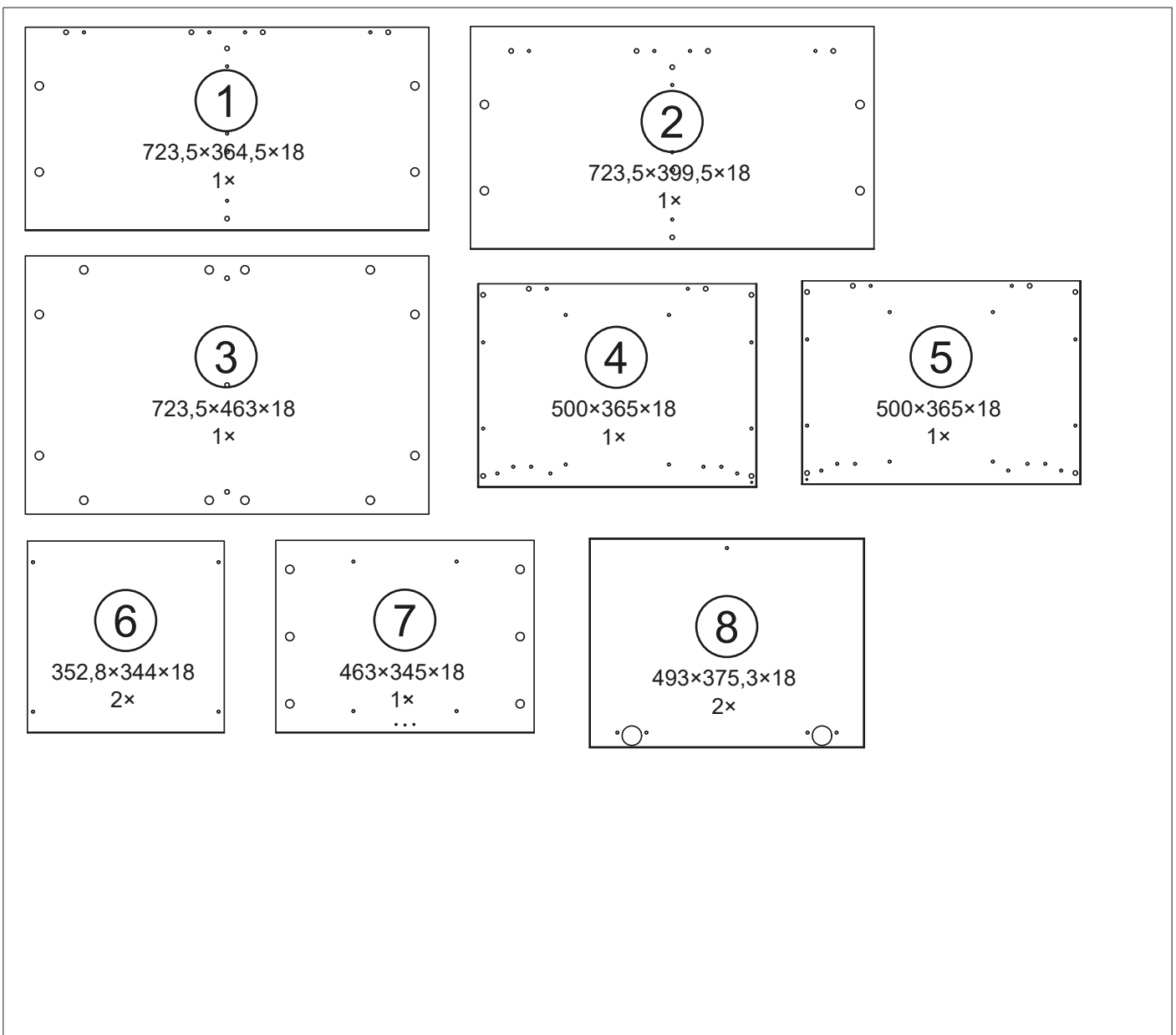
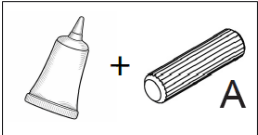
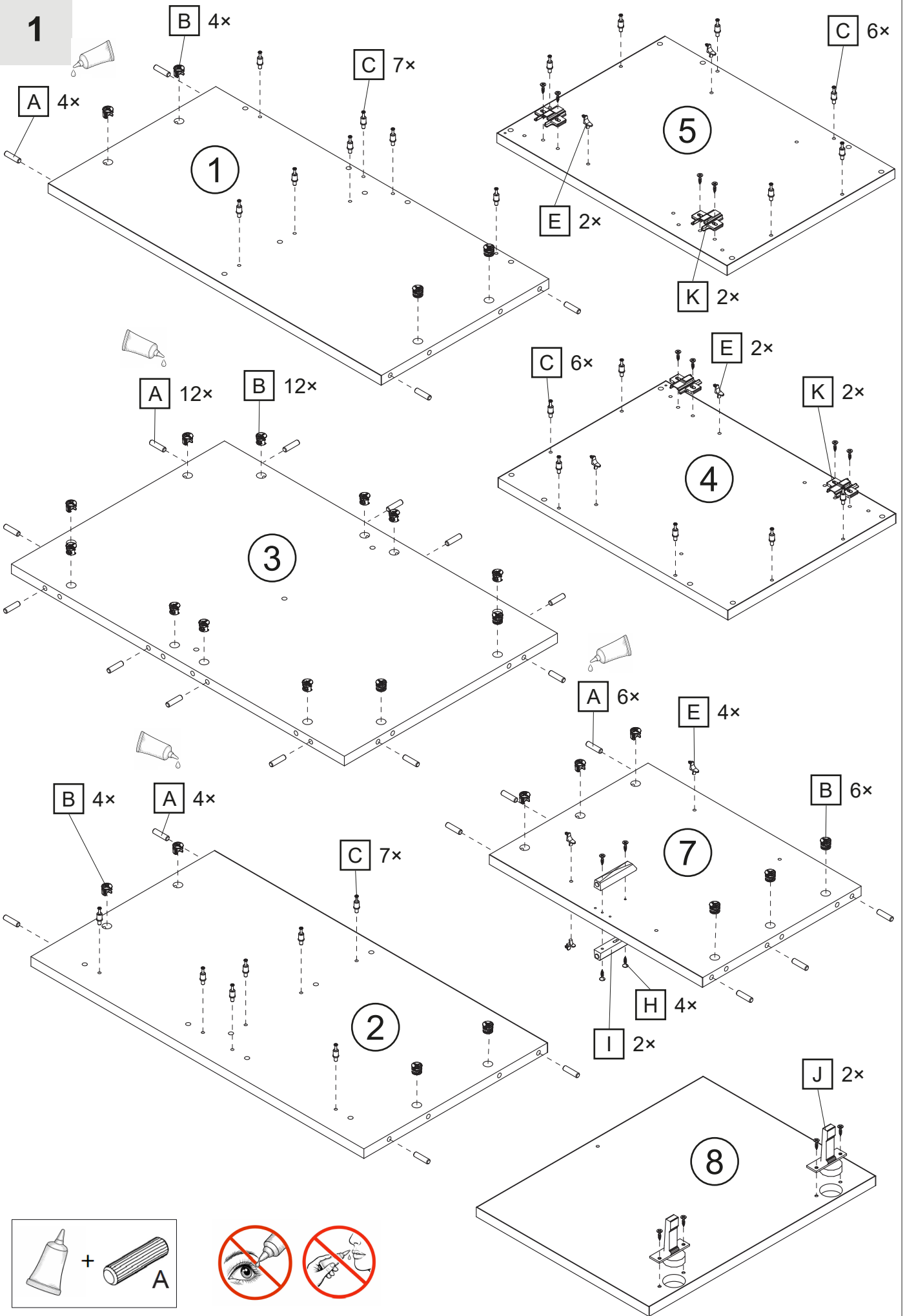
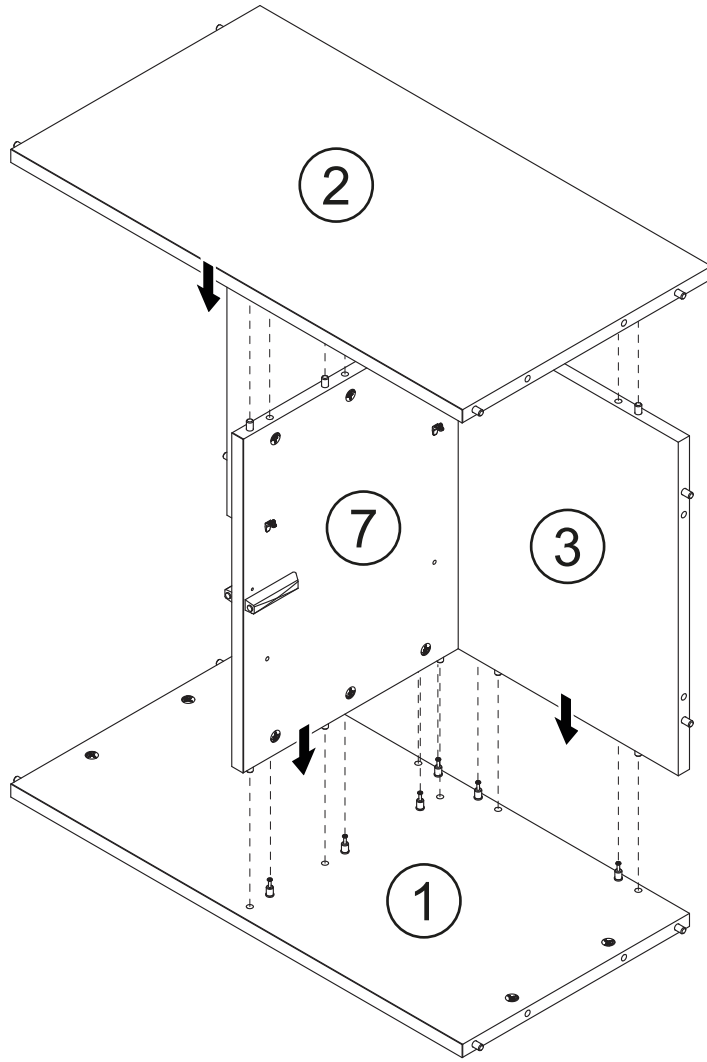
 Ø8 × 35	 26×	 Ø8 × 24	 26×	 8×	 2×	 M4 × 25	 Ø3,5 × 35
A	26×	B	26×	C	26×	D	26×
 2×	 4×	 4×	 Ø7 × 50				
I	2×	J	4×	K	4×	L	3×



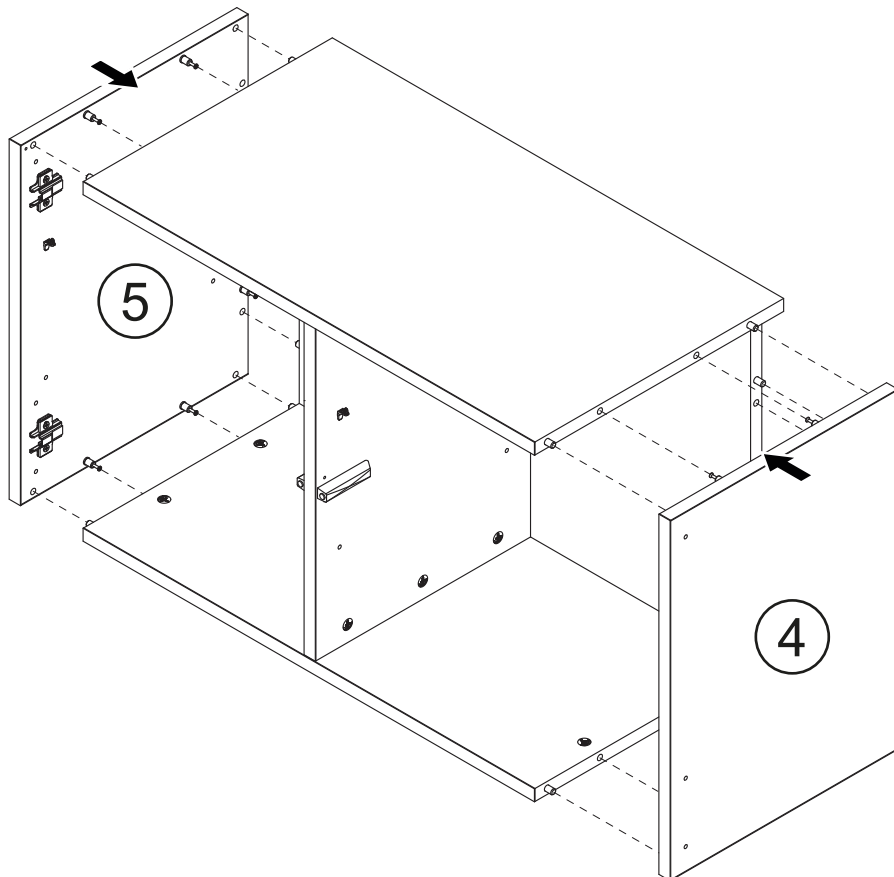
1



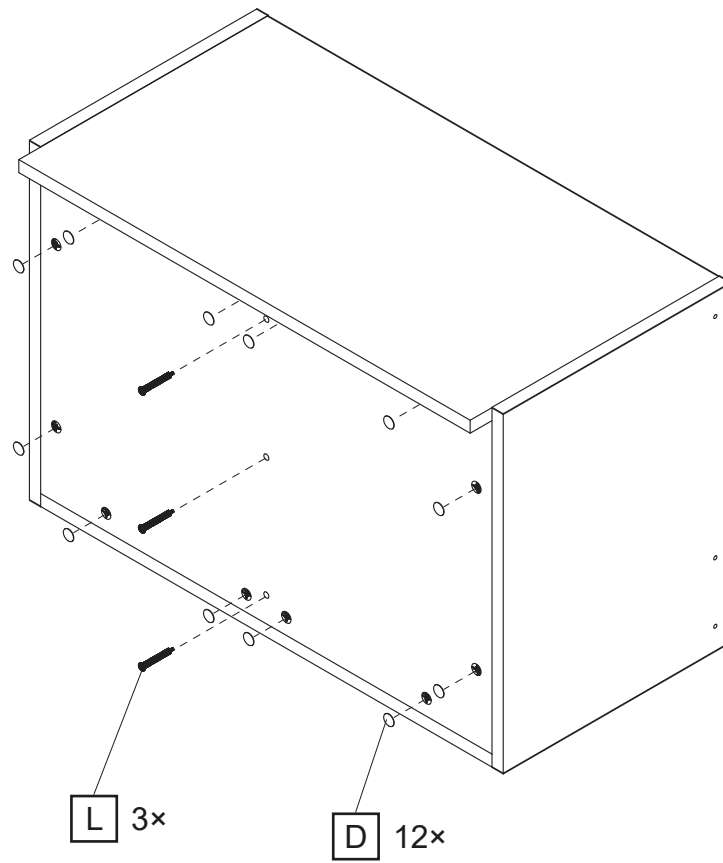
2



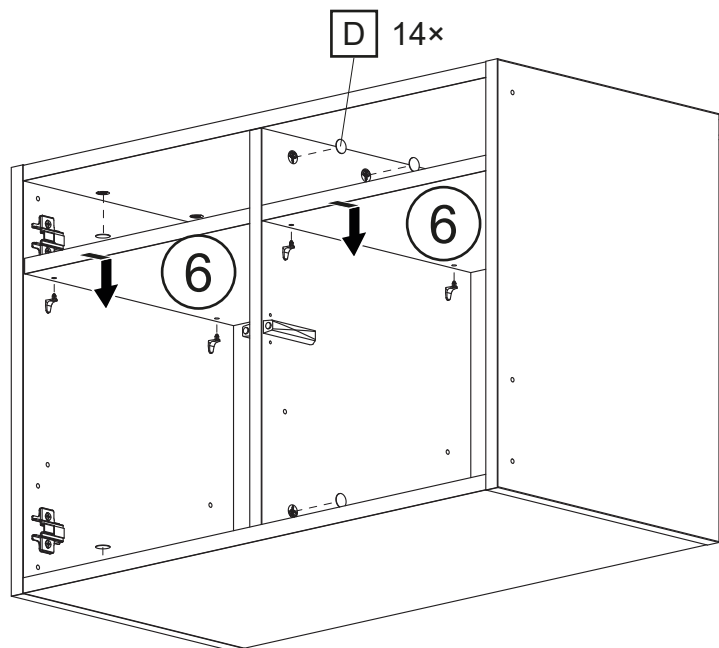
3



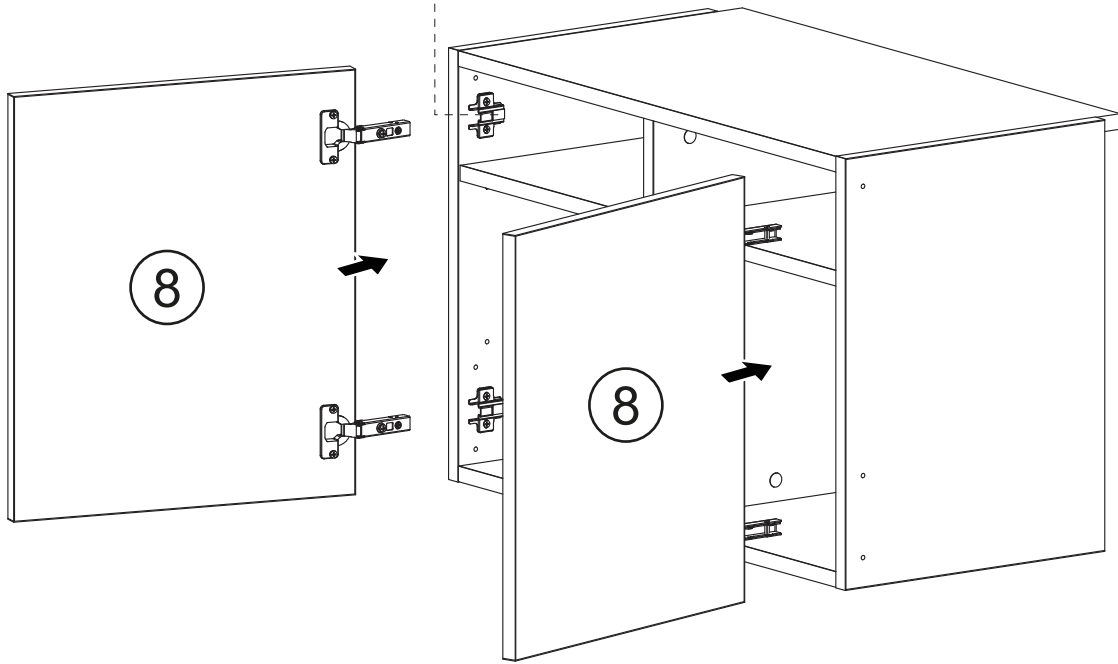
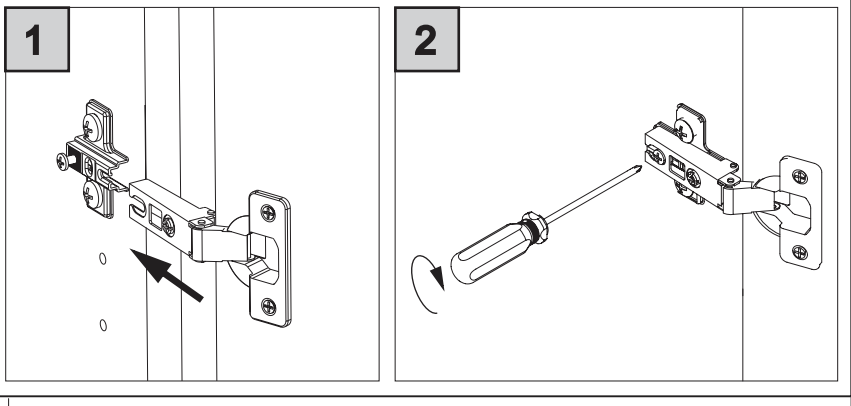
4



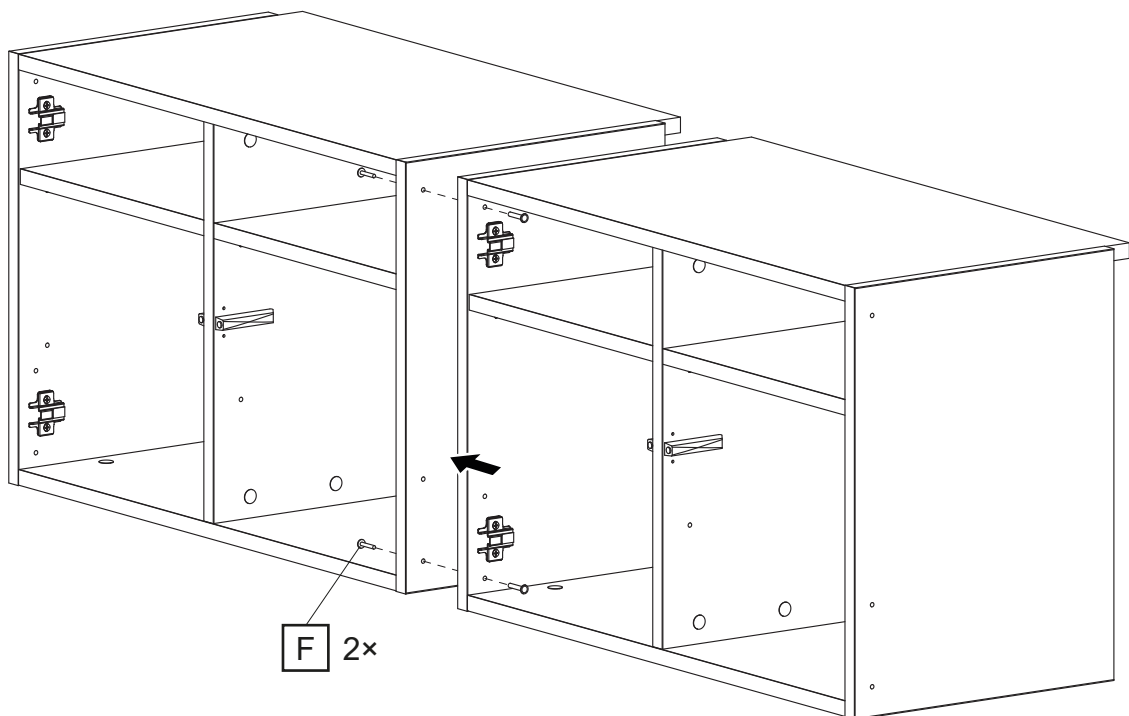
5



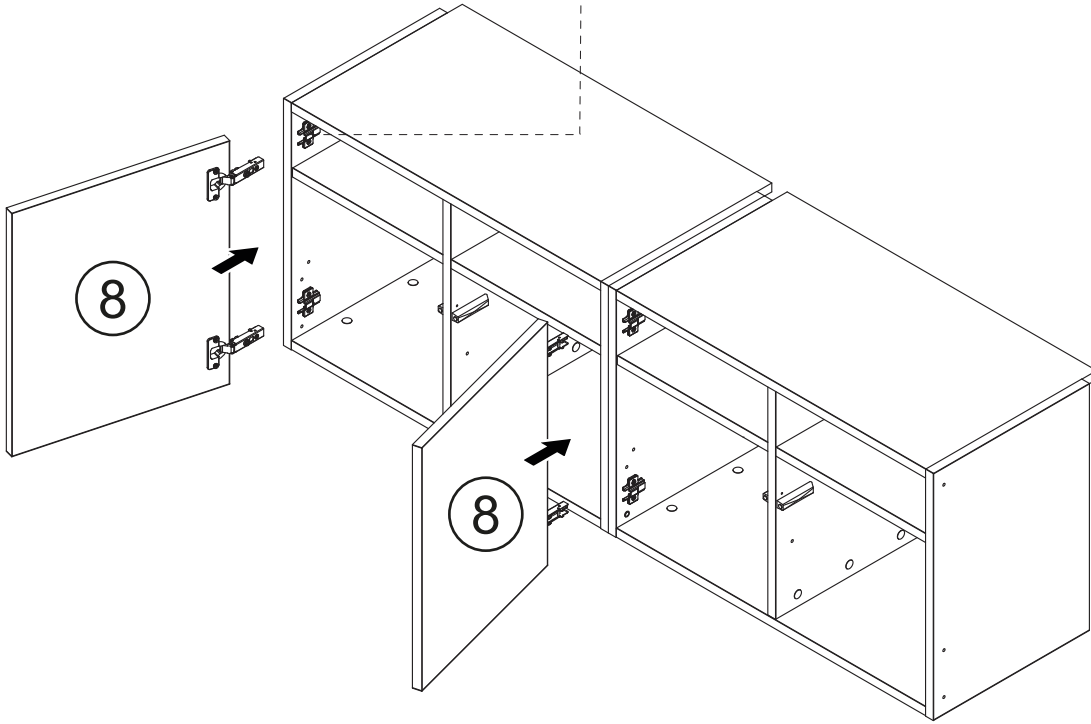
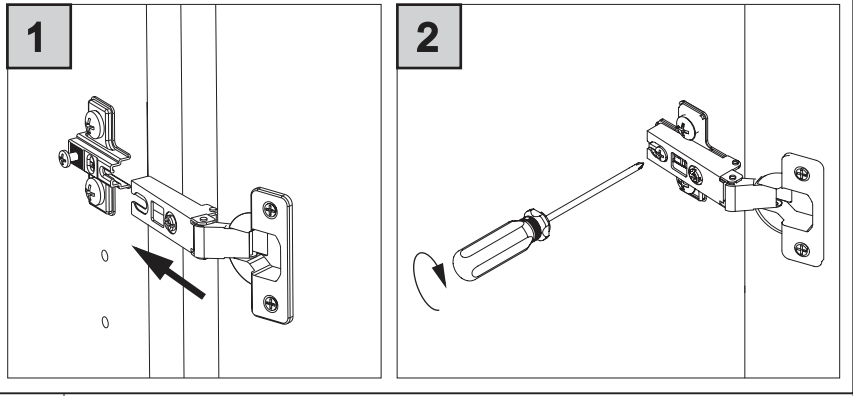
6a



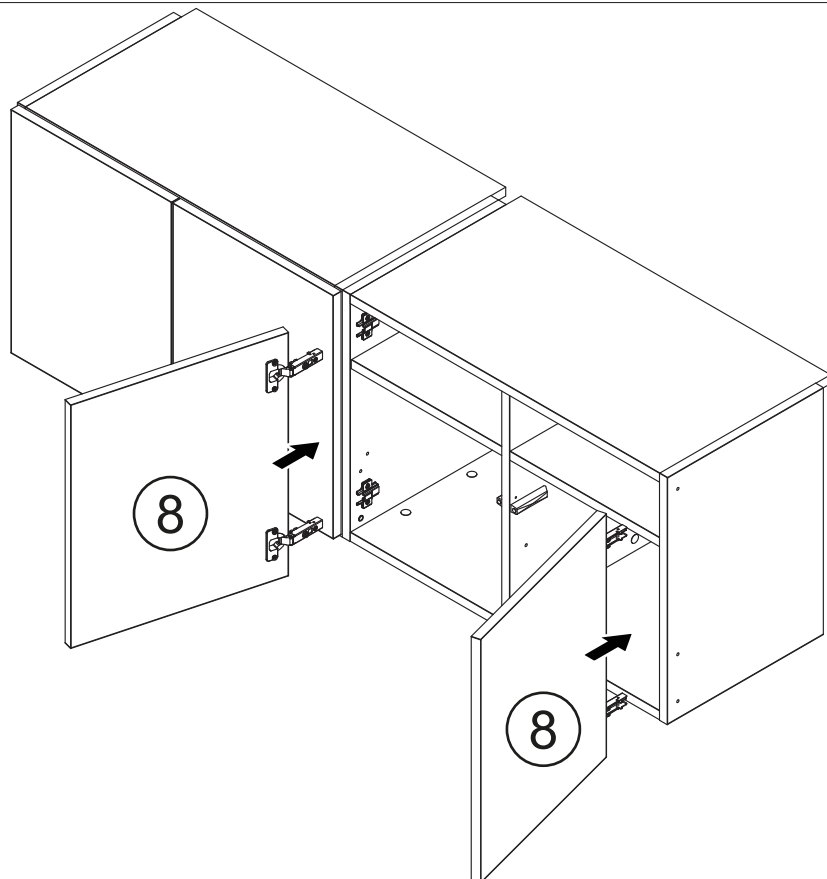
6b

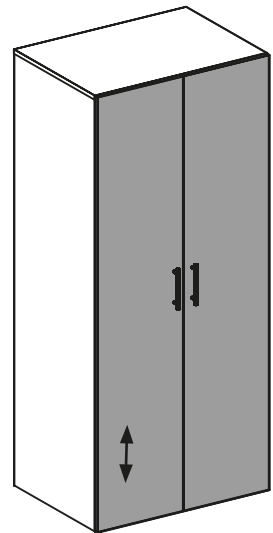
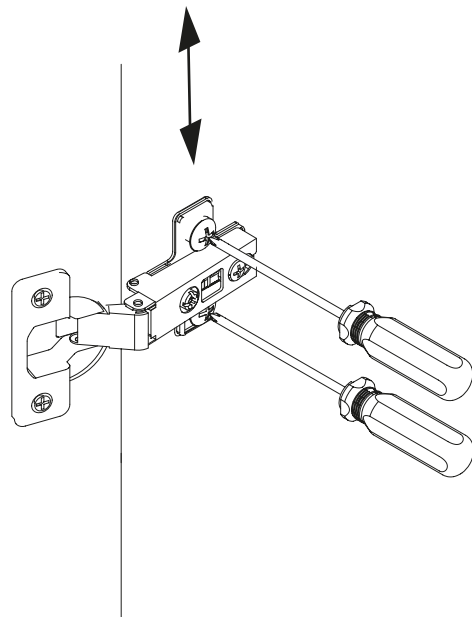
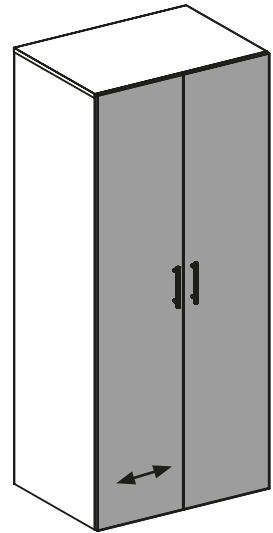
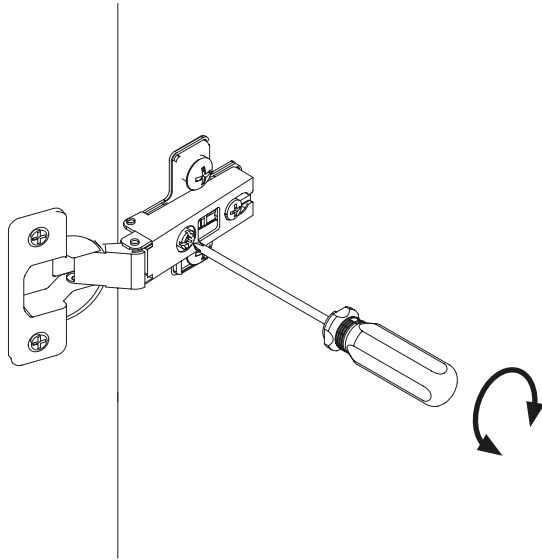
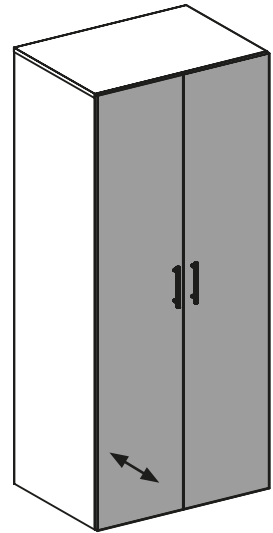
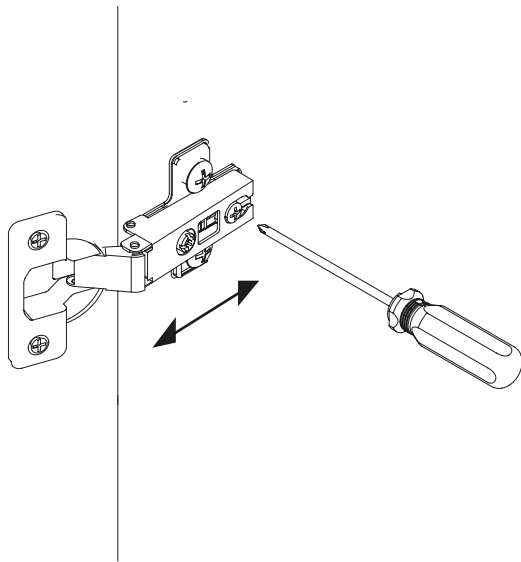


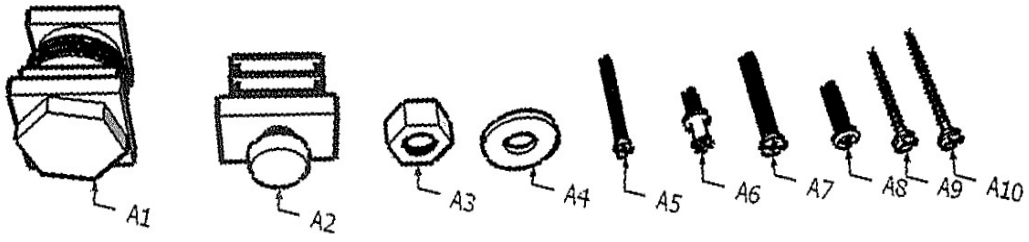
7b



8b







1	2	A2	A5	A6	A8	A9
2x	1x	4x	4x	16x	4x	4x

