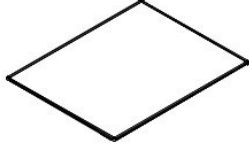





464011, 464012, 464030

A x 1	B x 2	C x 2	D x 2
			
E x 4	G x 1	H x 1	
