











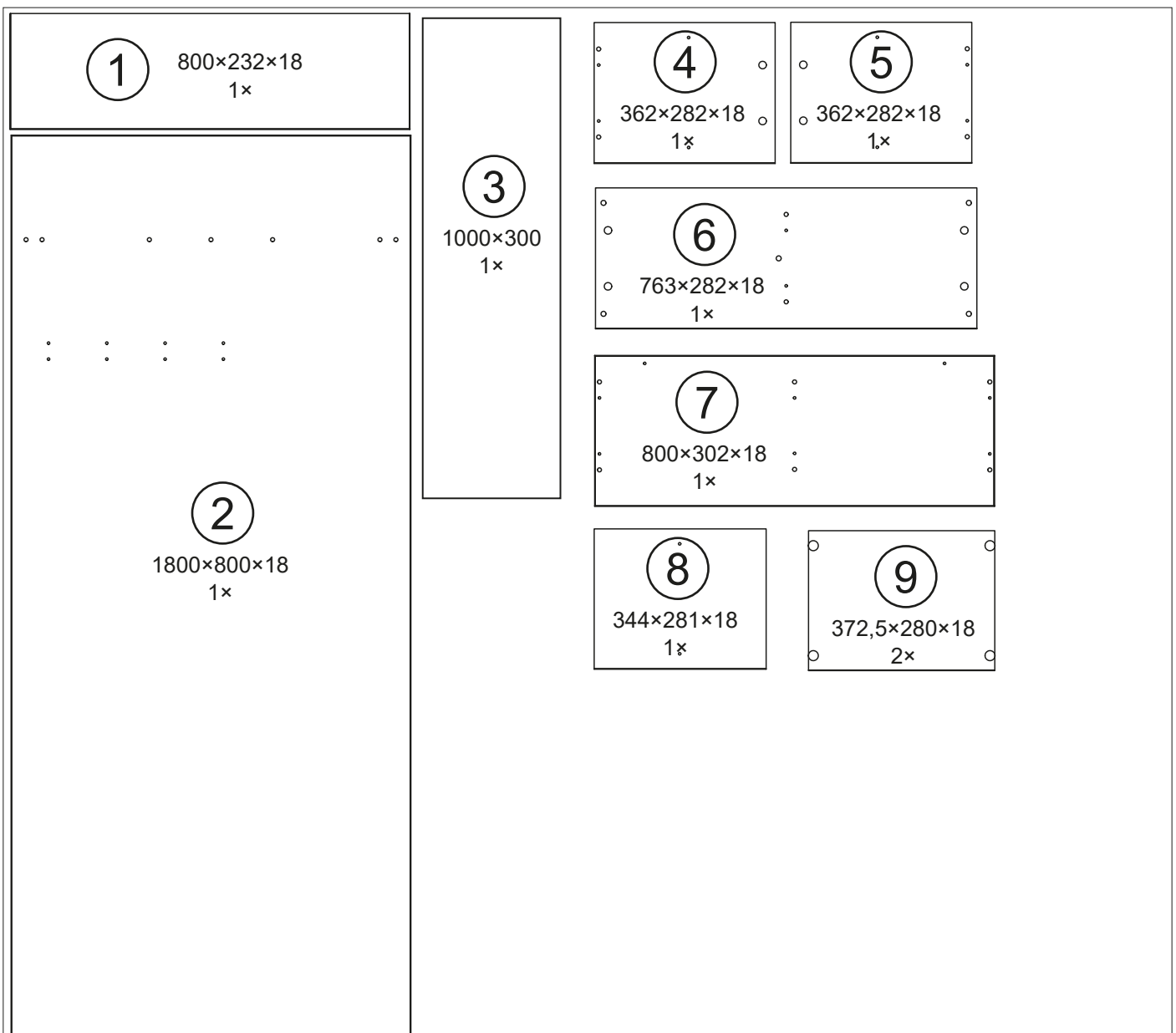
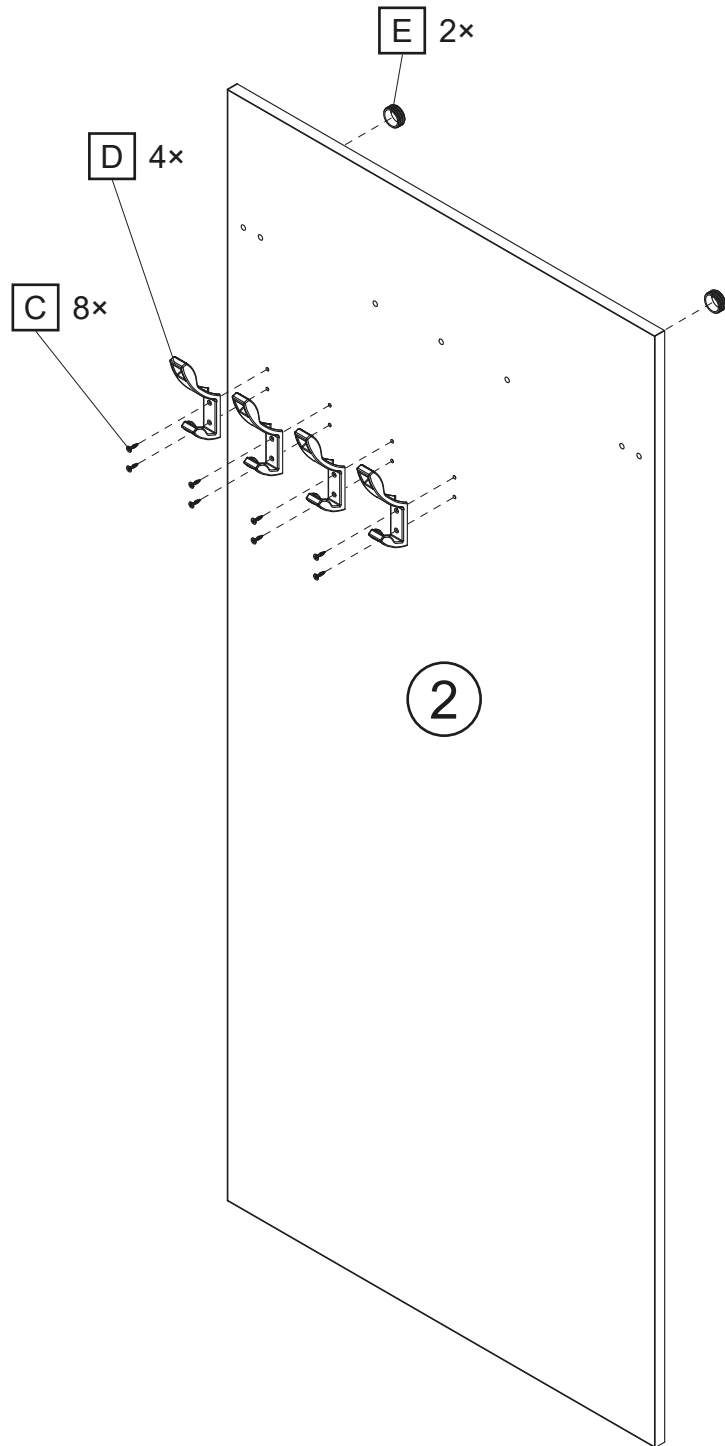
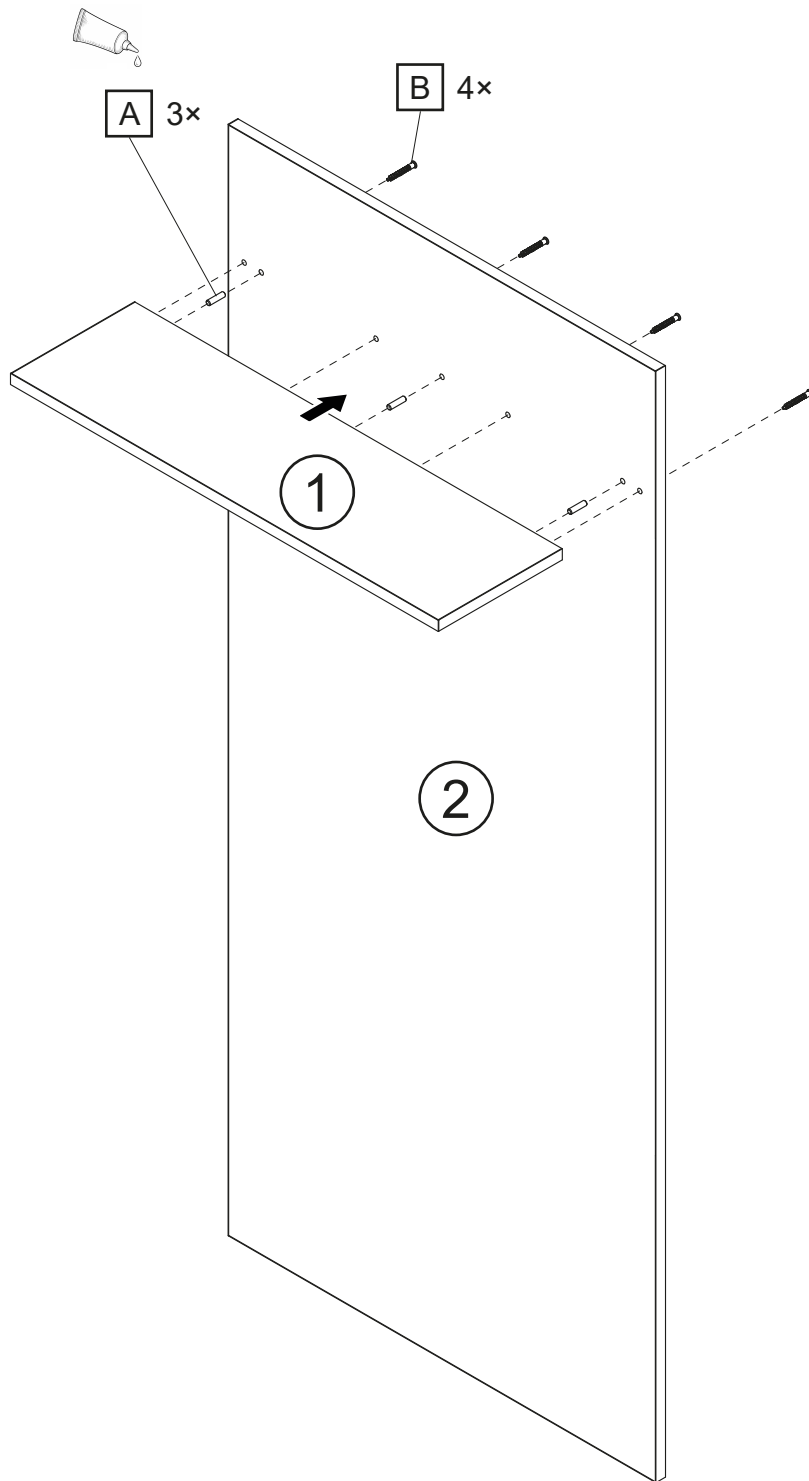
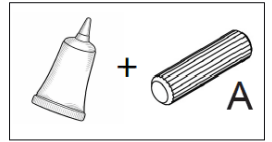
 Ø8 x 35		 Ø3,5 x 16					 Ø8 x 24
A 15x	B 4x	C 12x	D 4x	E 2x	F 2x	G 12x	H 12x
							
I 12x	J 8x	K 8x	L 2x	M 5x			



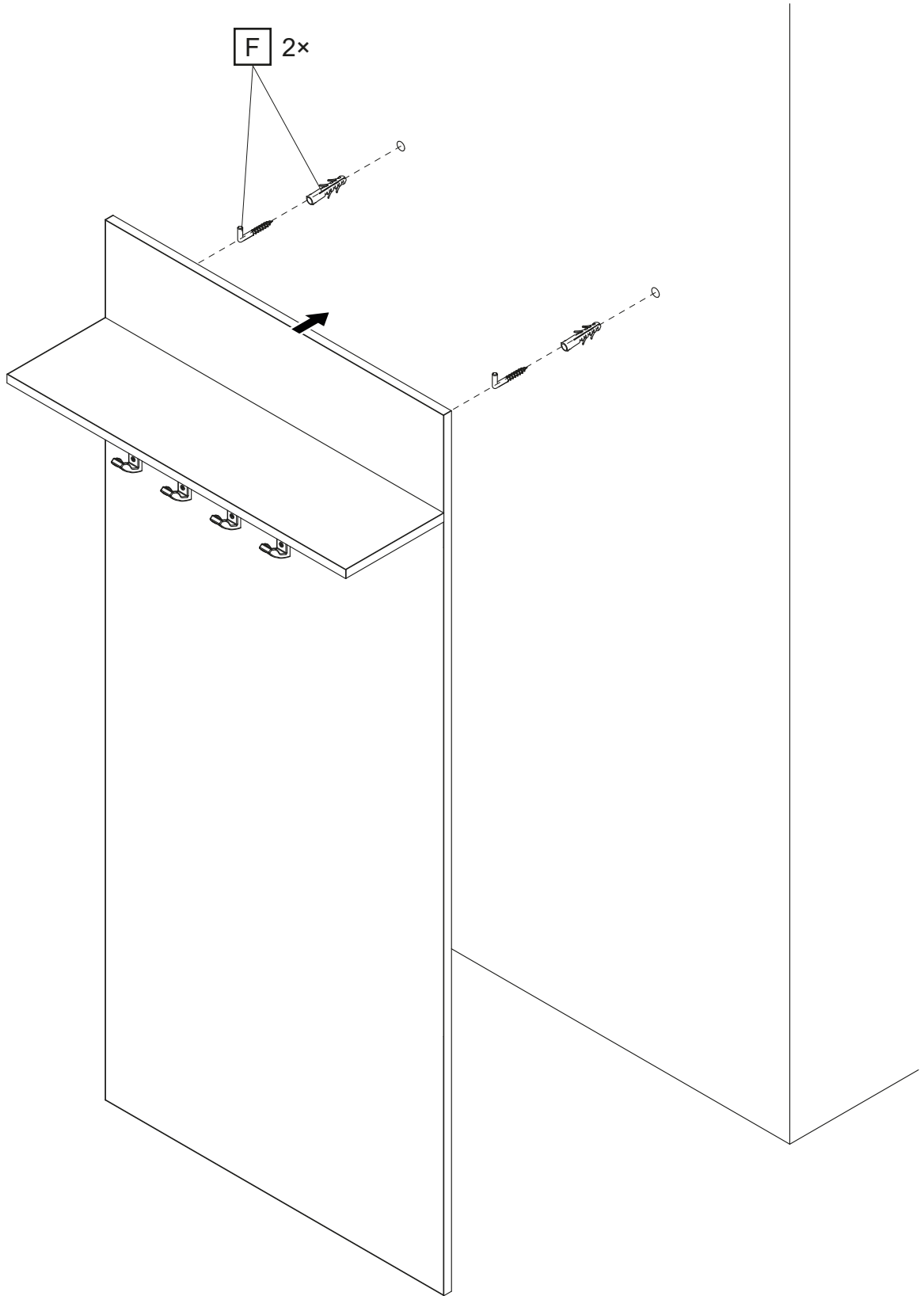
1



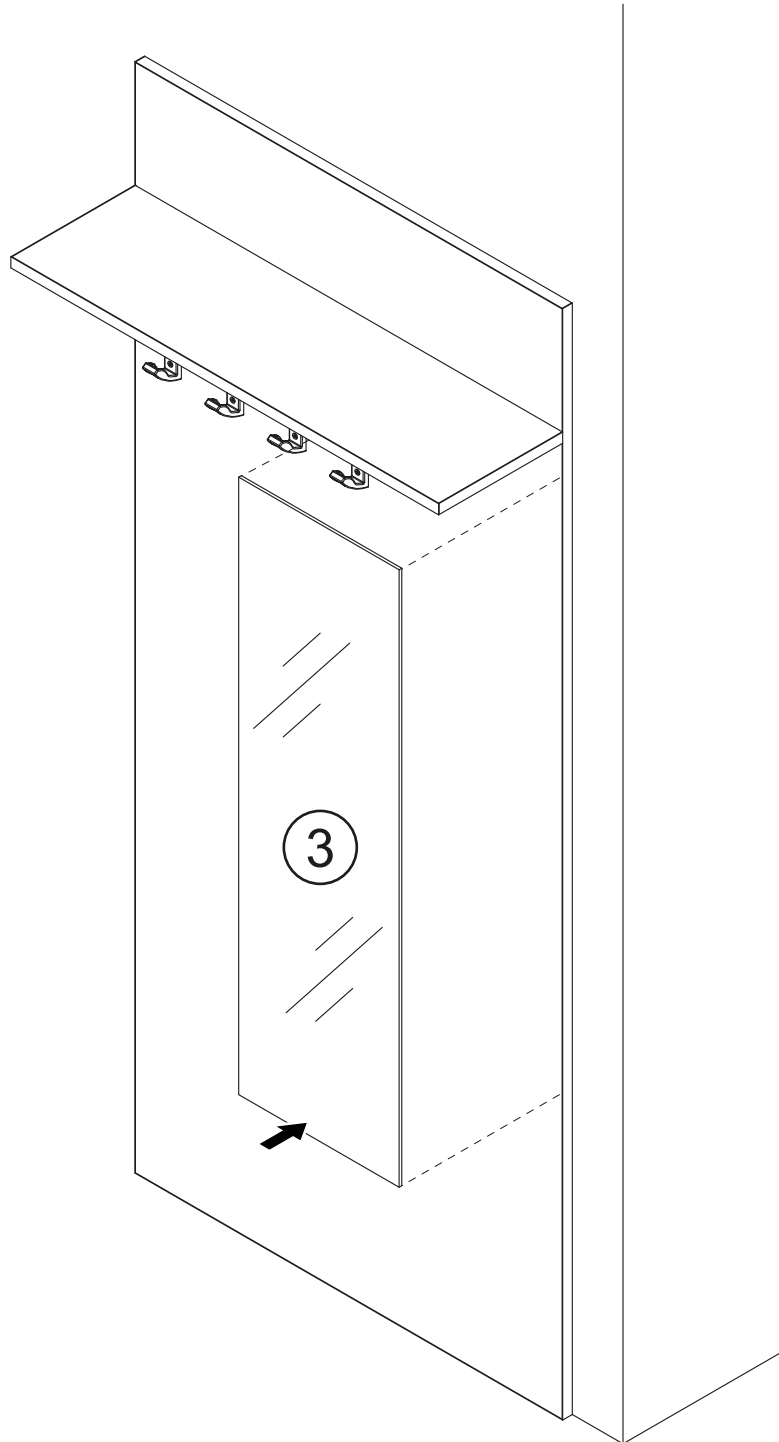
2



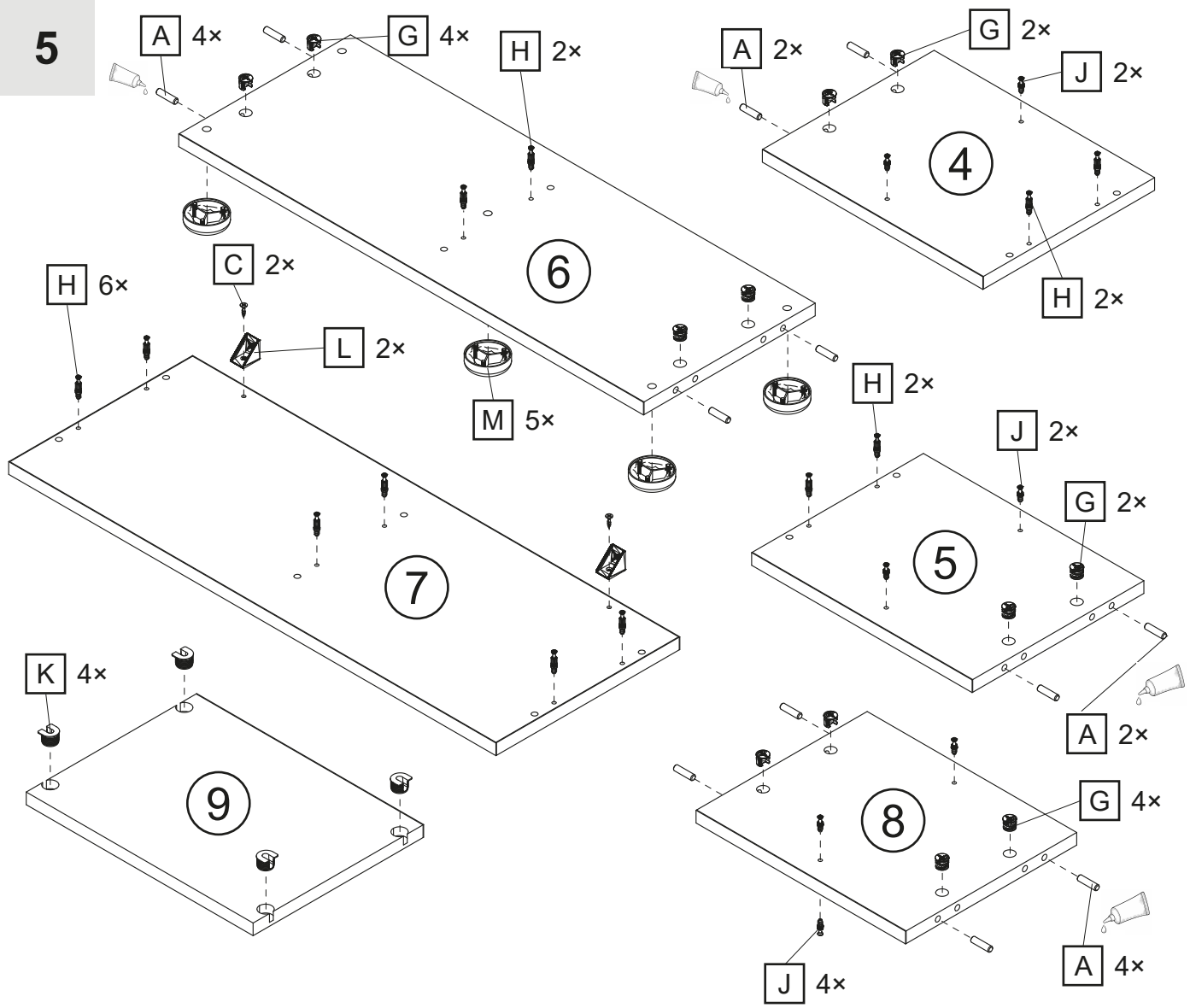
3



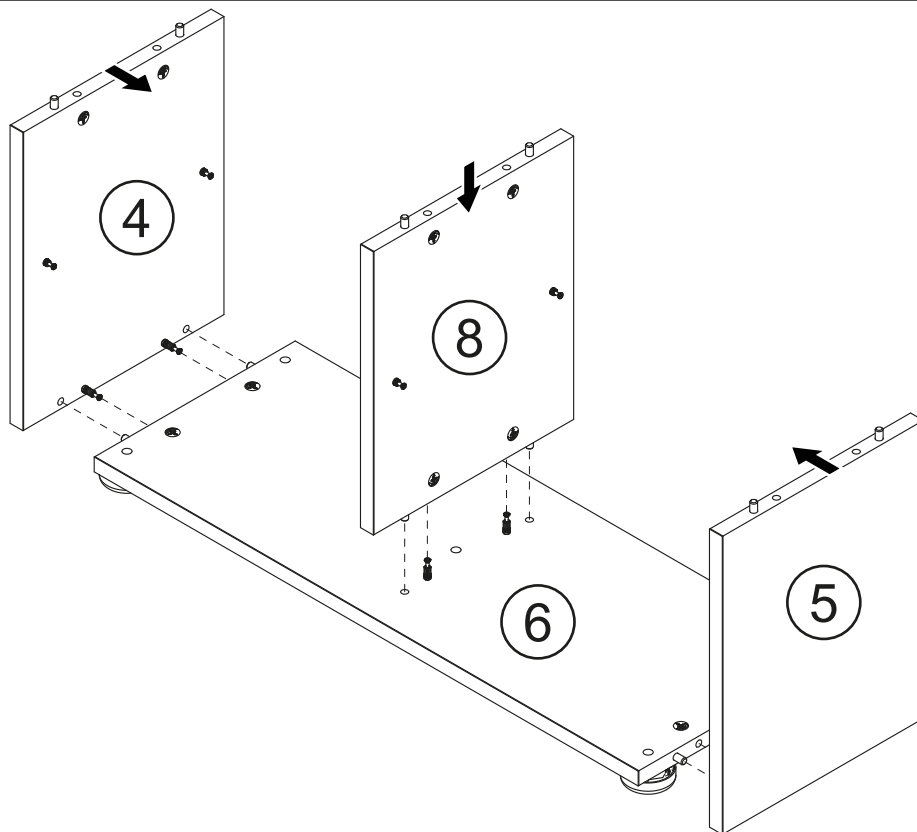
4



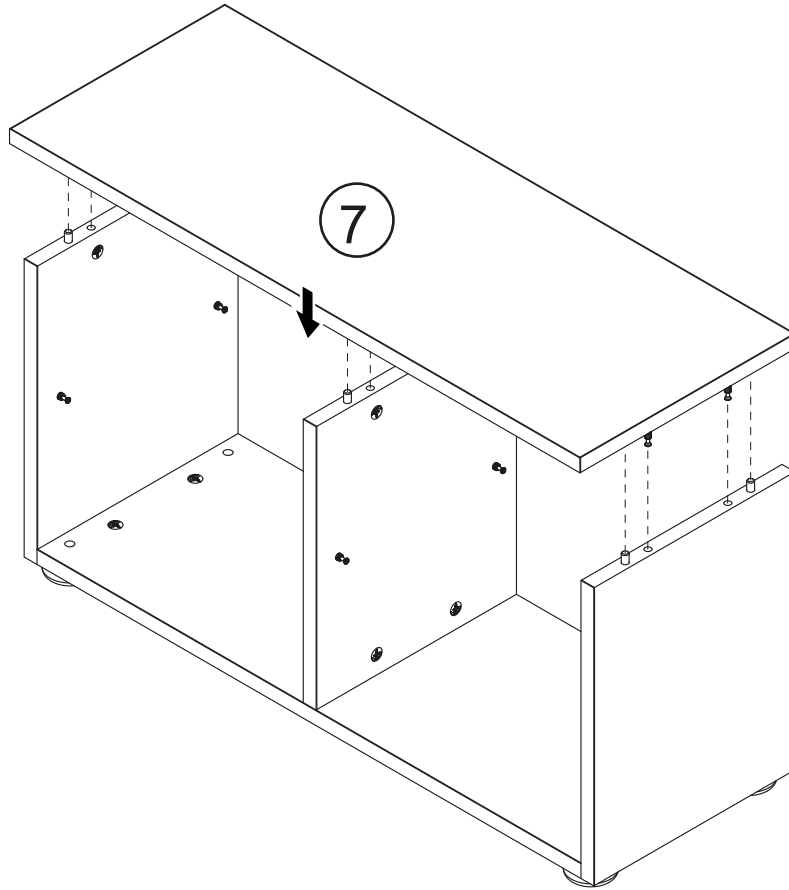
5



6



7



8

