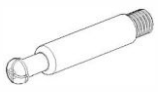




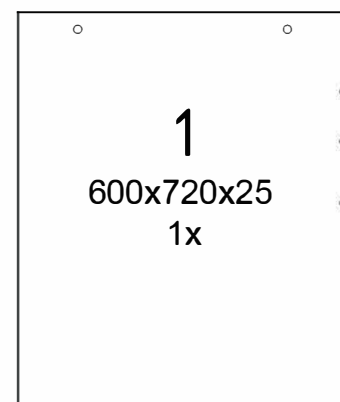
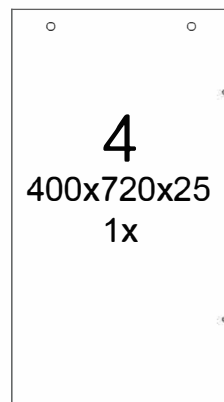
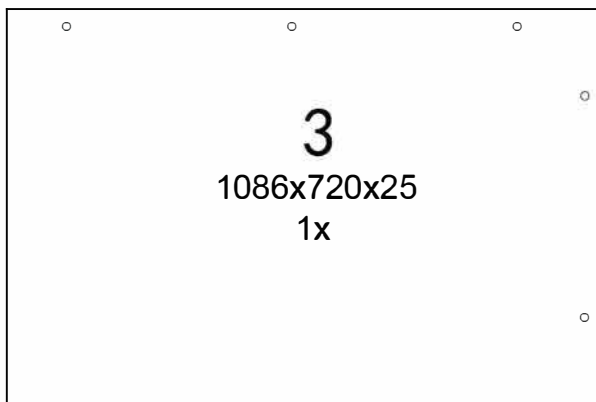
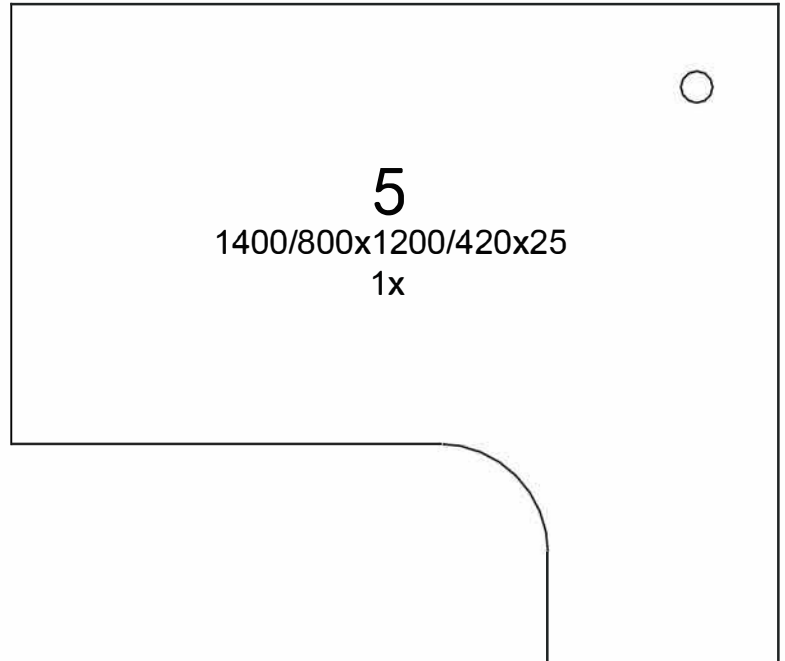
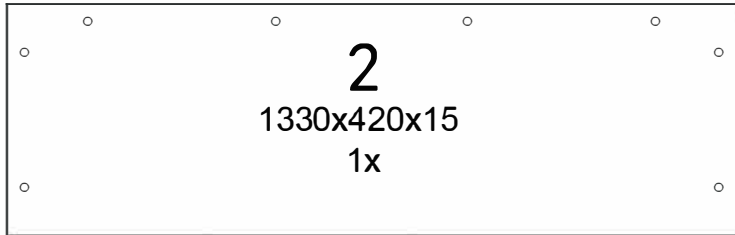
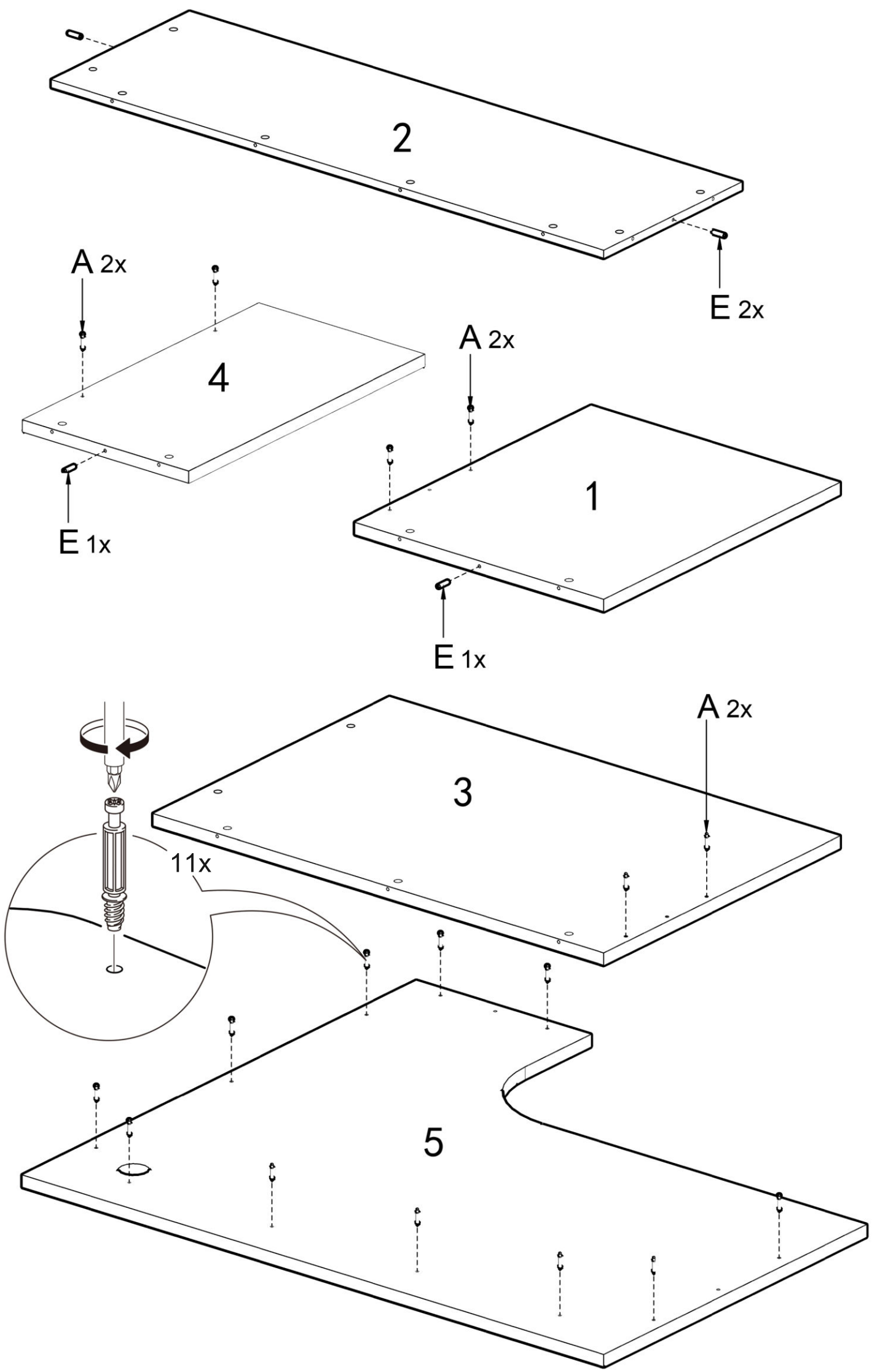
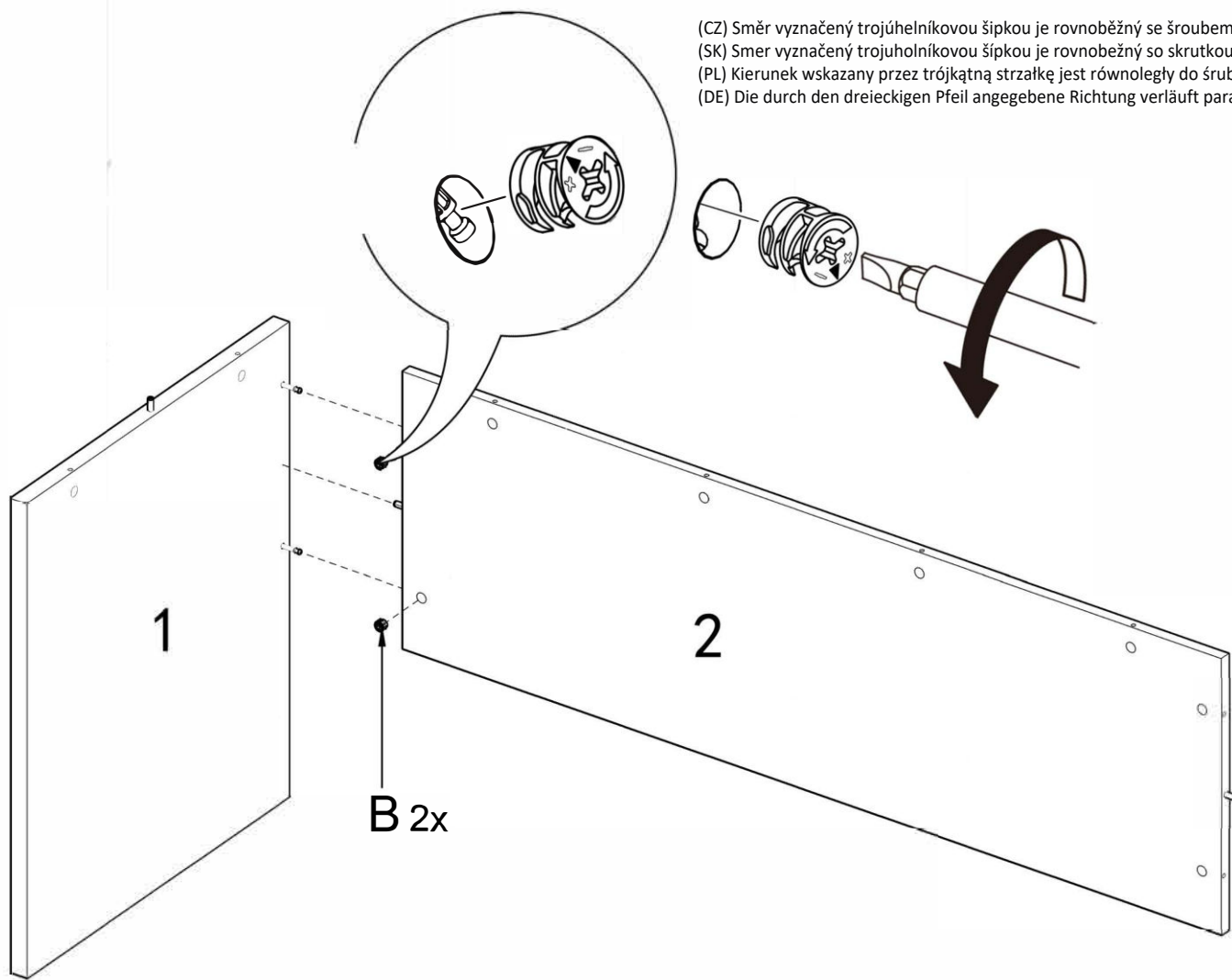


| | | | | |
|----------------------------------------------------------------------------------|-----------------------------------------------------------------------------------|-----------------------------------------------------------------------------------|-----------------------------------------------------------------------------------|-----------------------------------------------------------------------------------|
|  |  |  |  |  |
| A 17x | B 17x | C 17x | D 1x | E 4x |

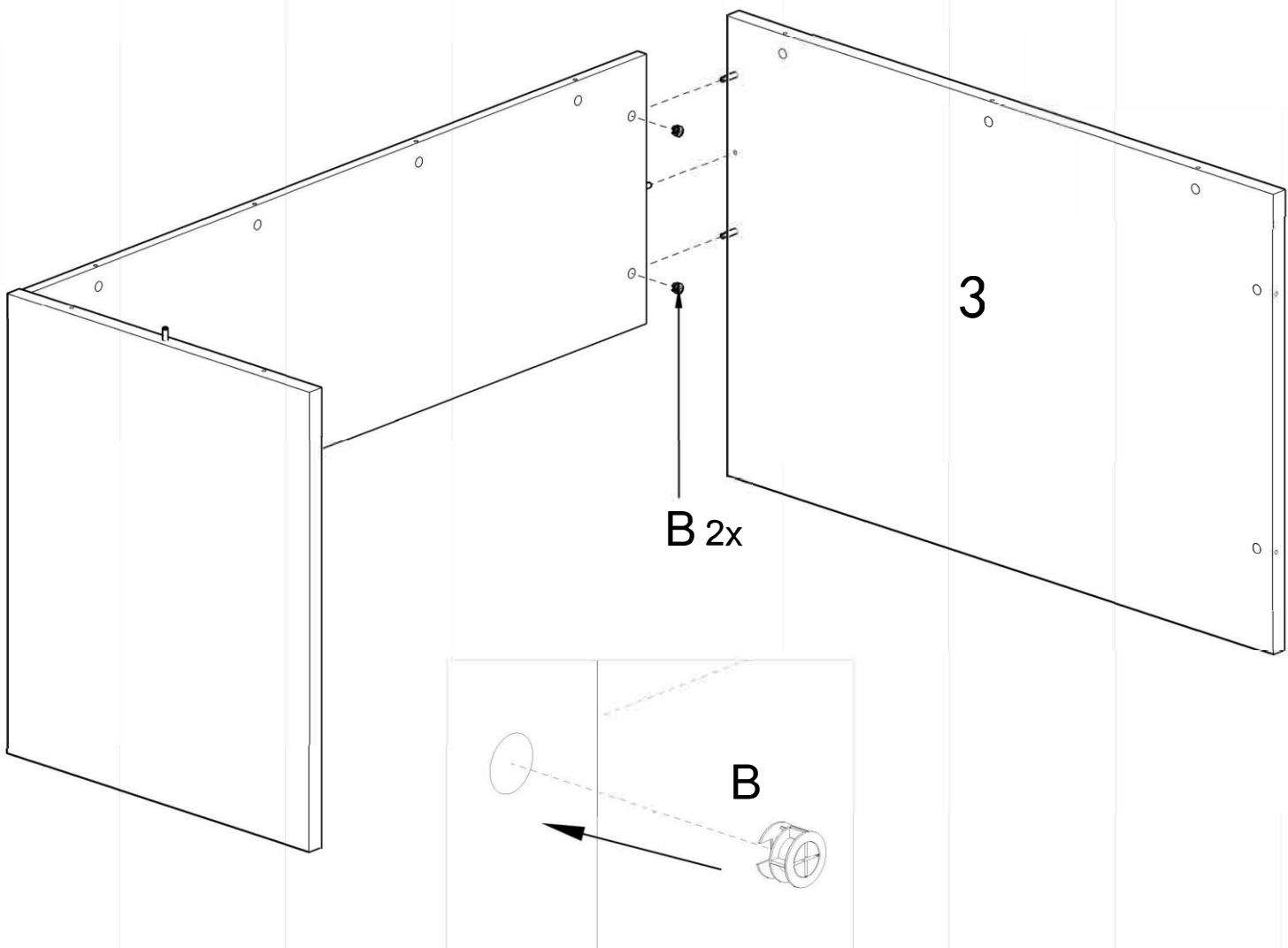


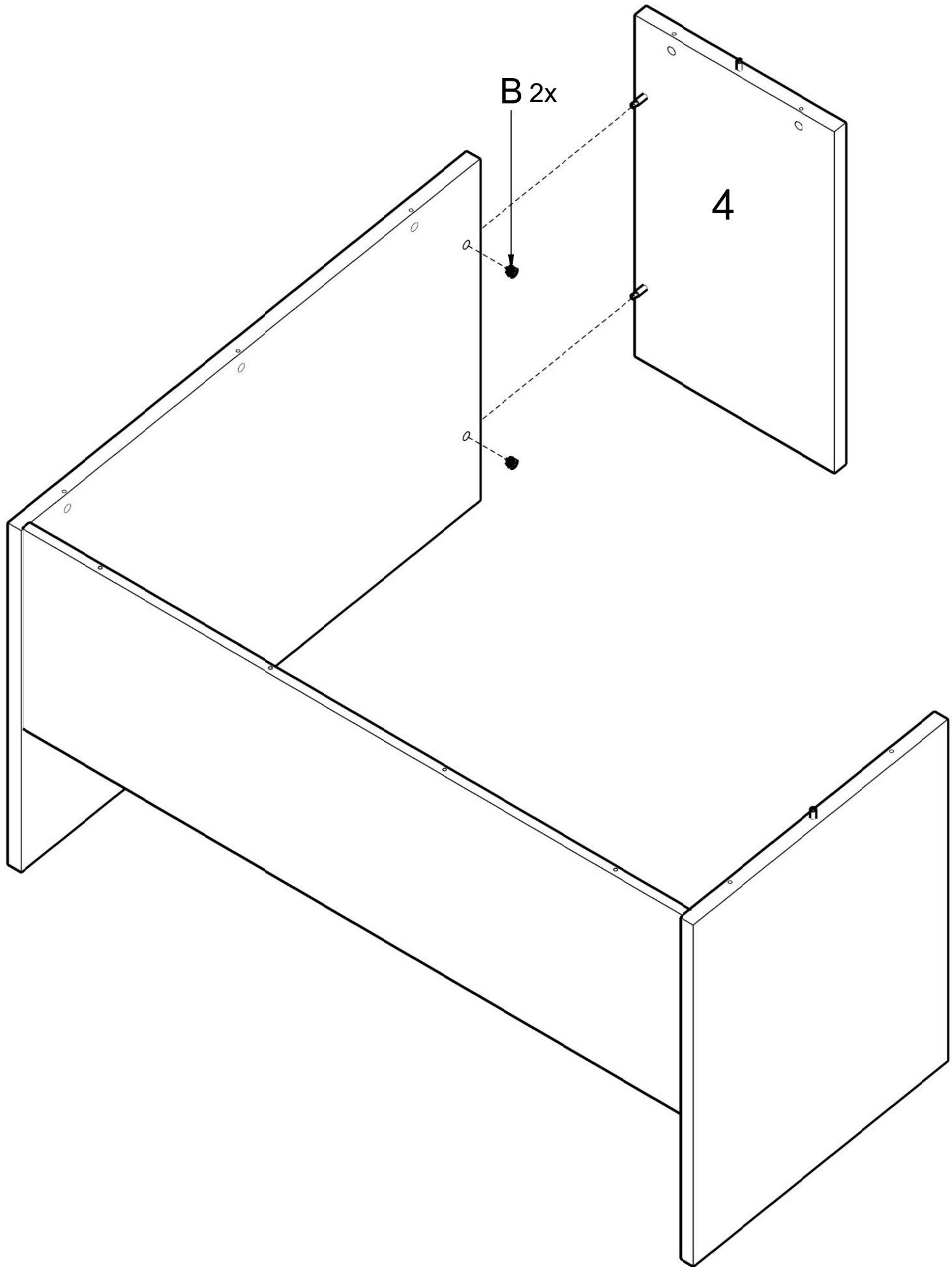


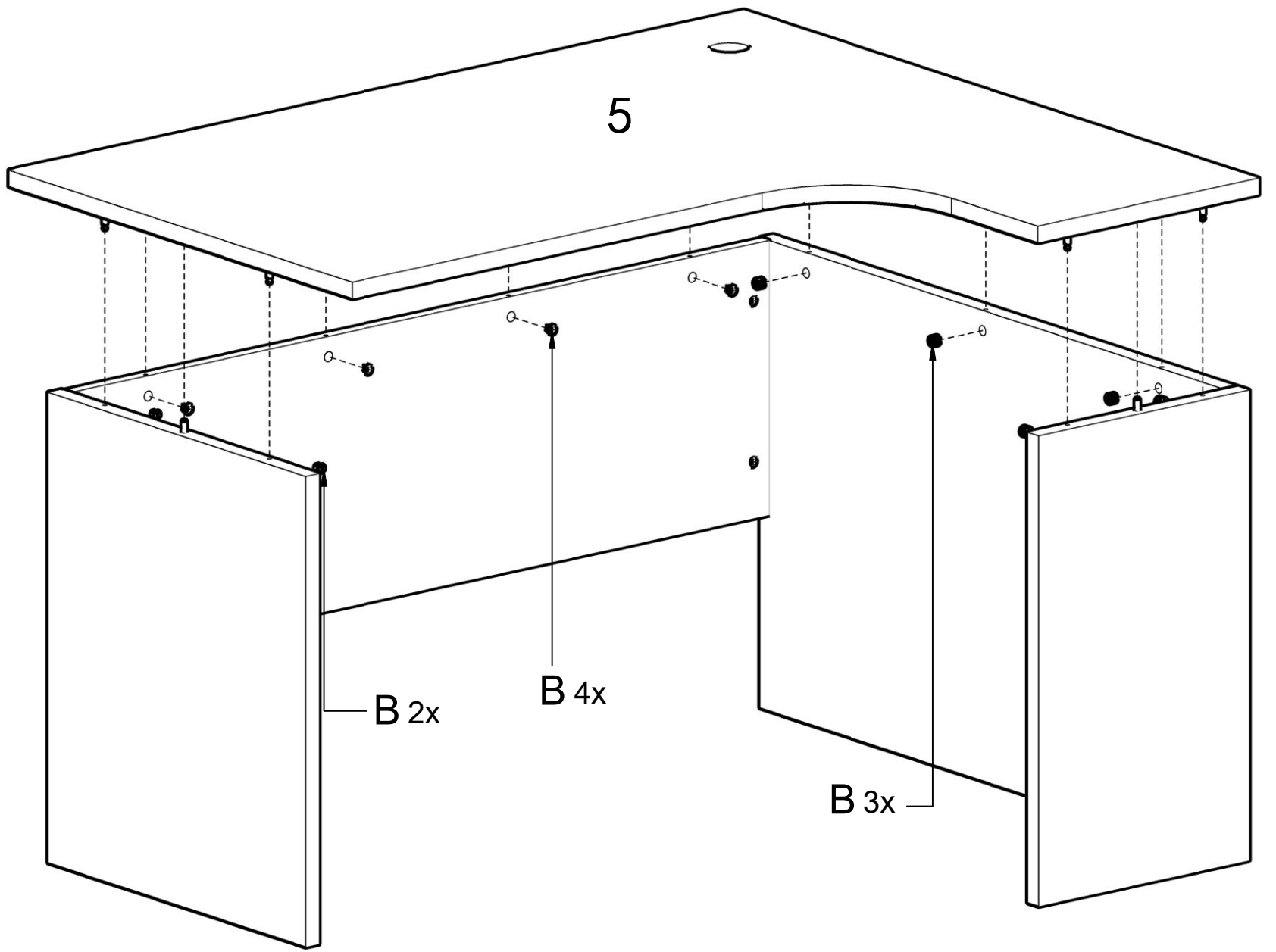
2

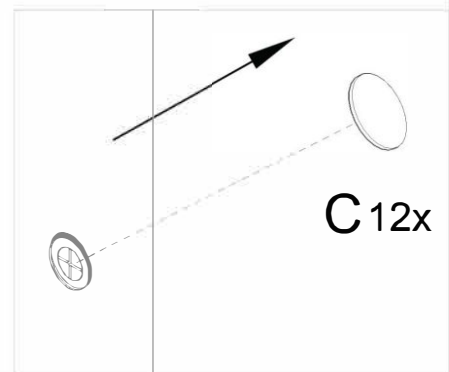
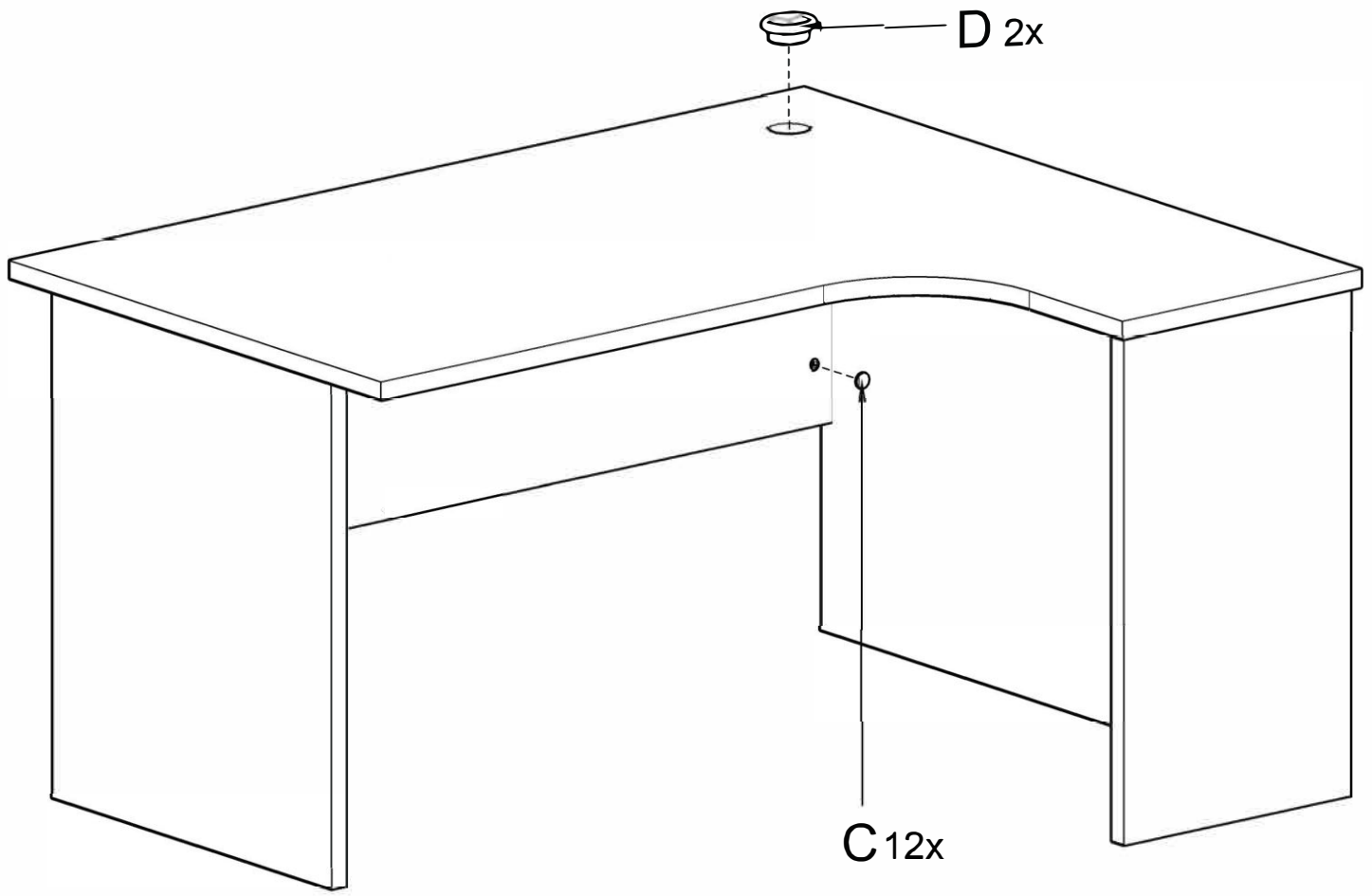


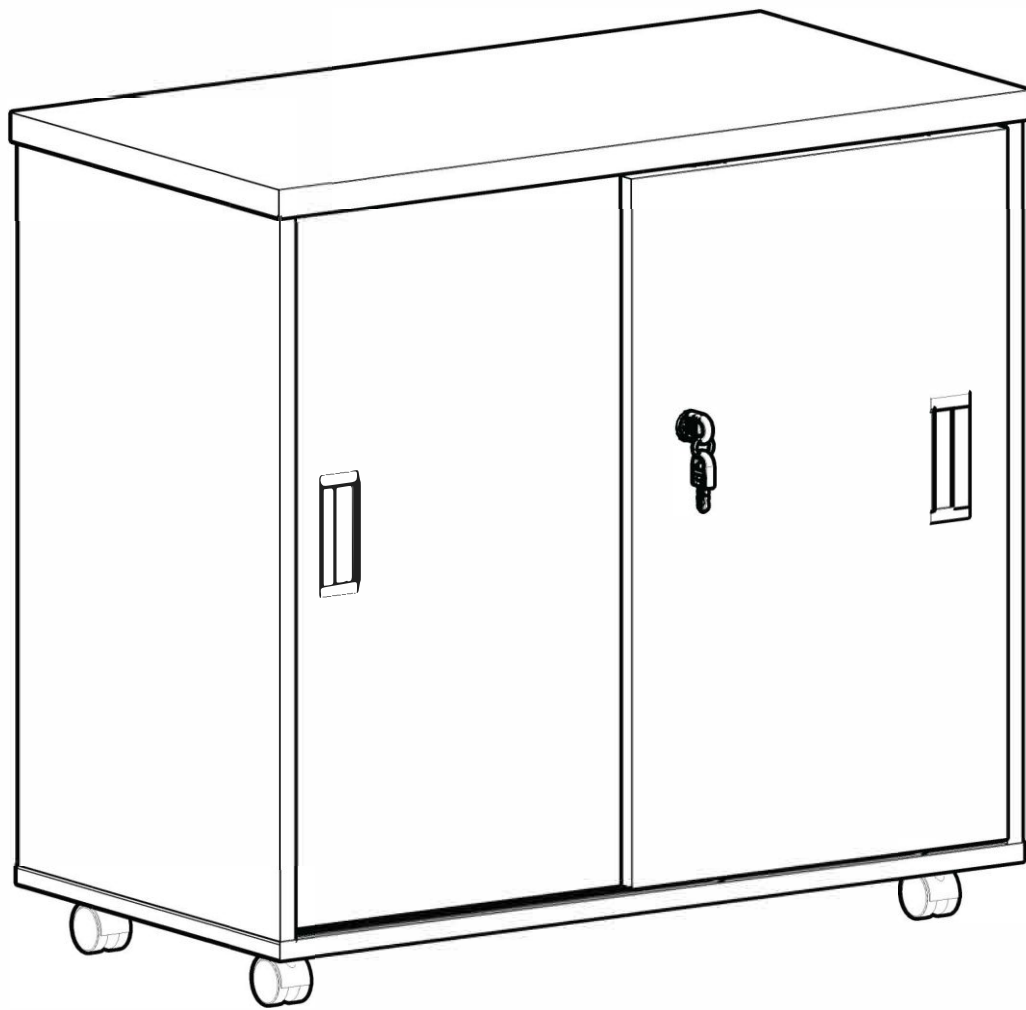
3






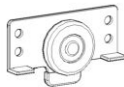





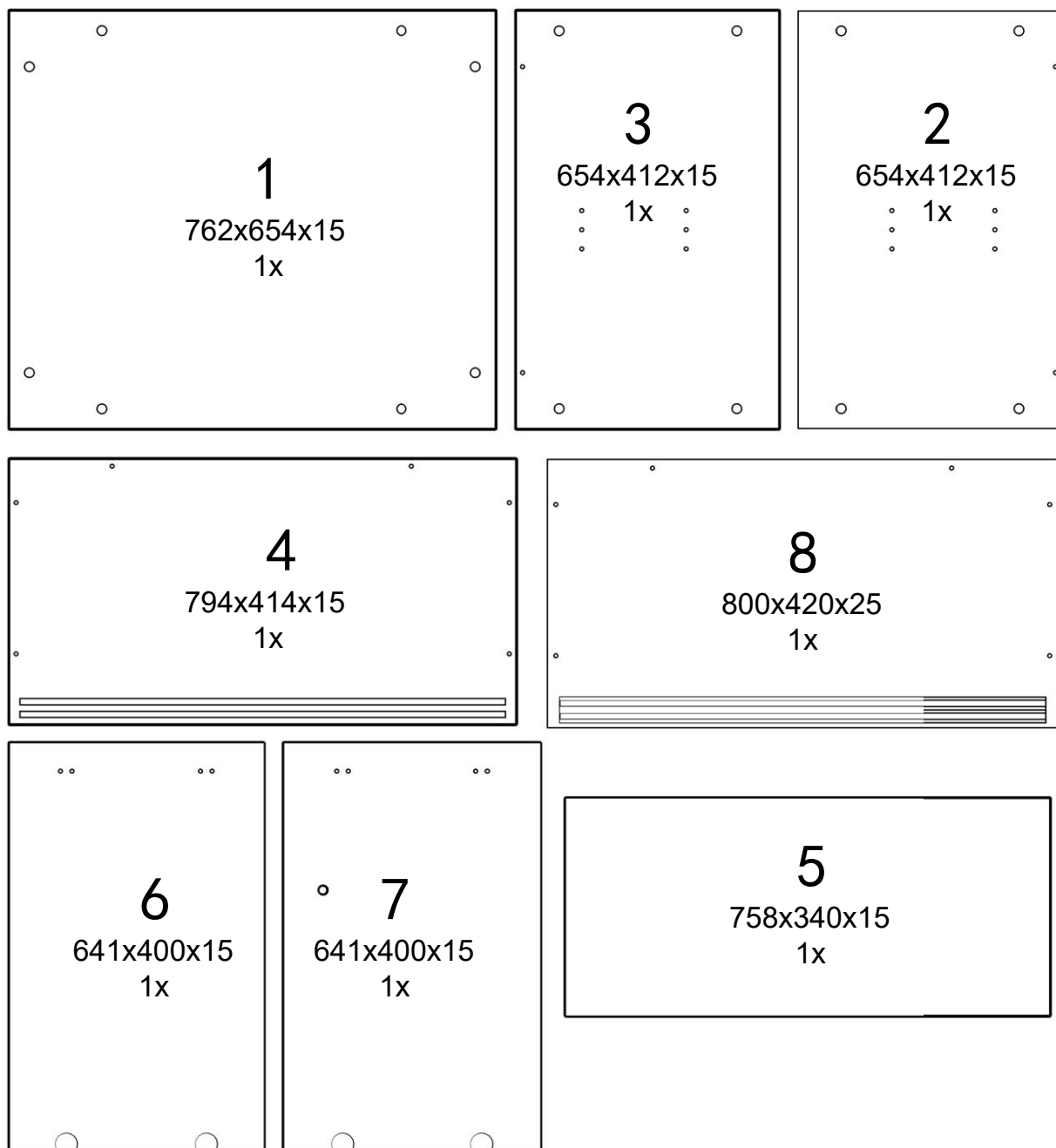
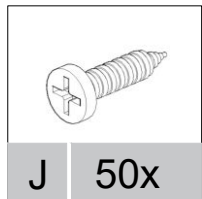


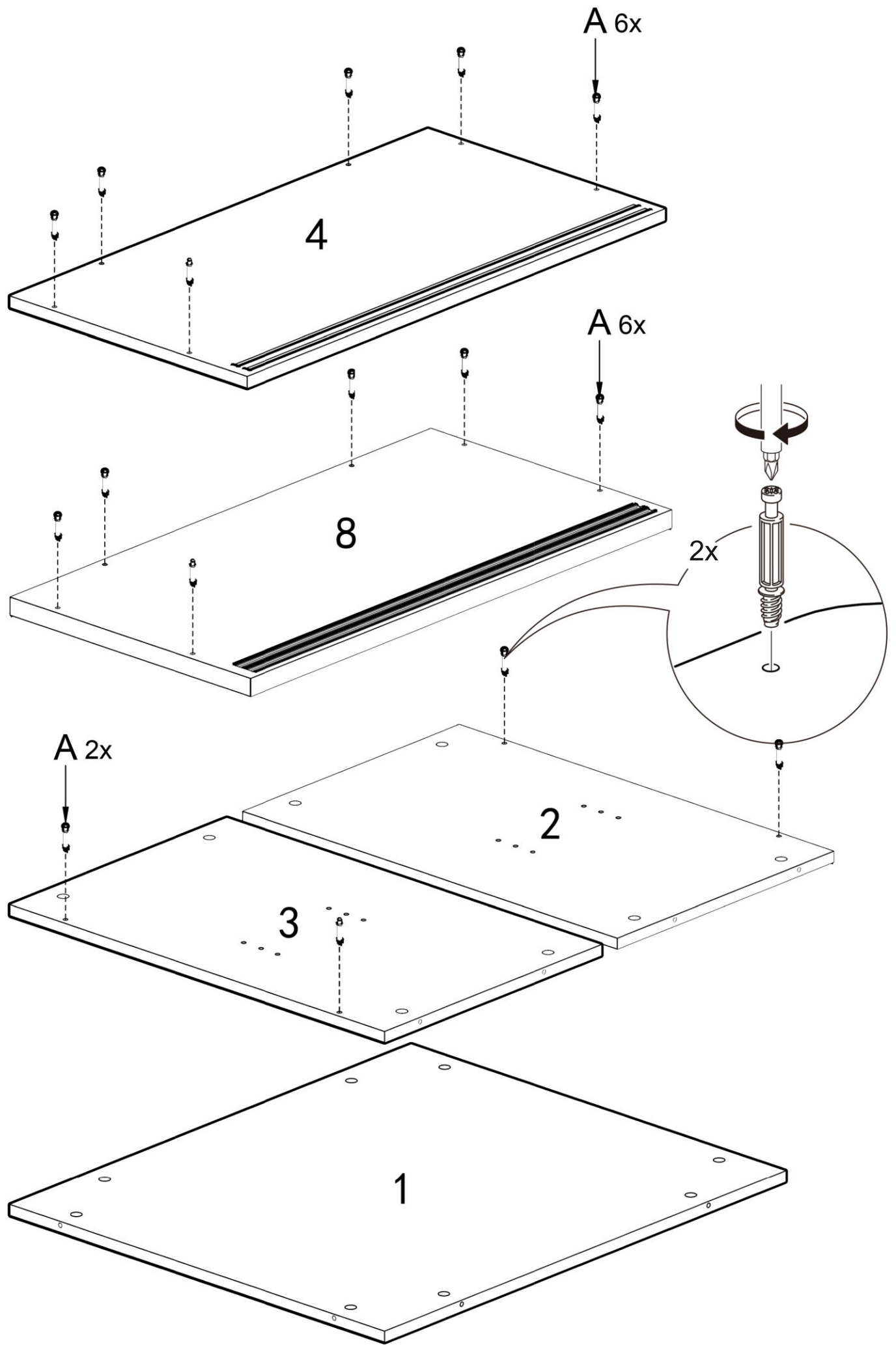






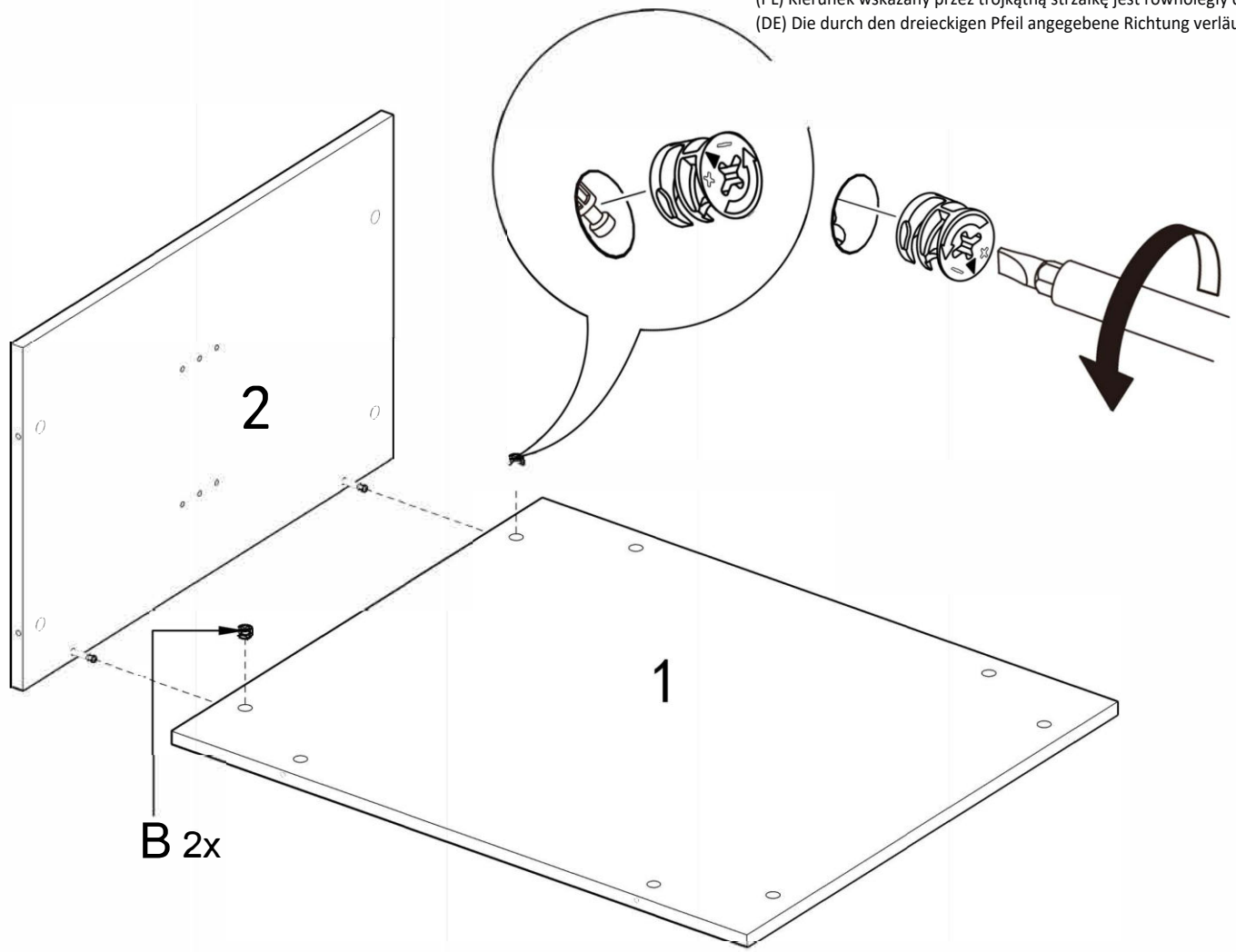
| | | | | | | | | | | | | | | | | | |
|----------------------------------------------------------------------------------|-----------------------------------------------------------------------------------|-----------------------------------------------------------------------------------|-----------------------------------------------------------------------------------|-----------------------------------------------------------------------------------|-------------------------------------------------------------------------------------|-------------------------------------------------------------------------------------|-------------------------------------------------------------------------------------|-------------------------------------------------------------------------------------|----|---|----|---|----|---|----|---|----|
|  |  |  |  |  |  |  |  |  | | | | | | | | | |
| A | 16x | B | 16x | C | 16x | D | 4x | E | 4x | F | 4x | G | 4x | H | 2x | I | 1x |



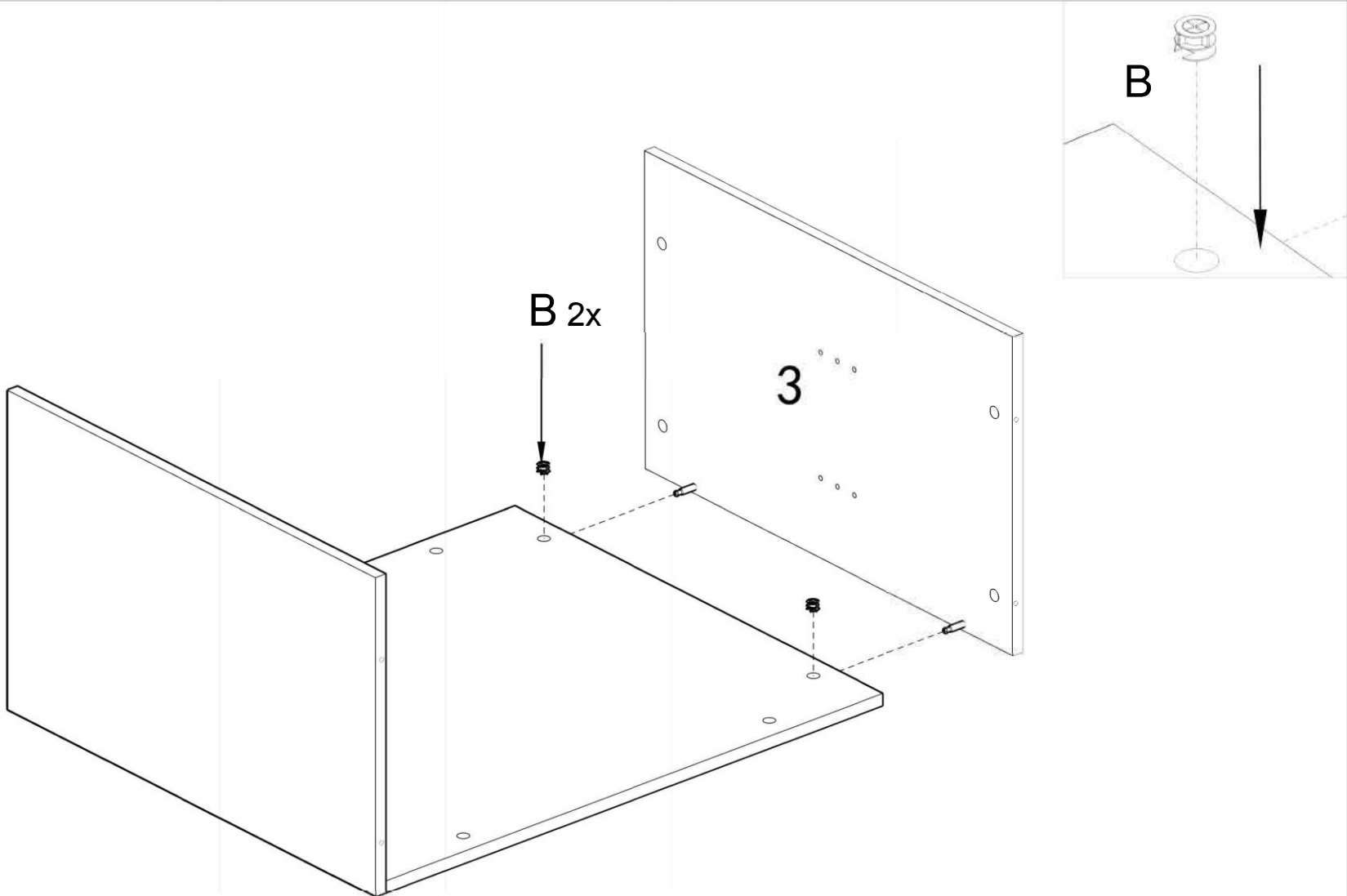


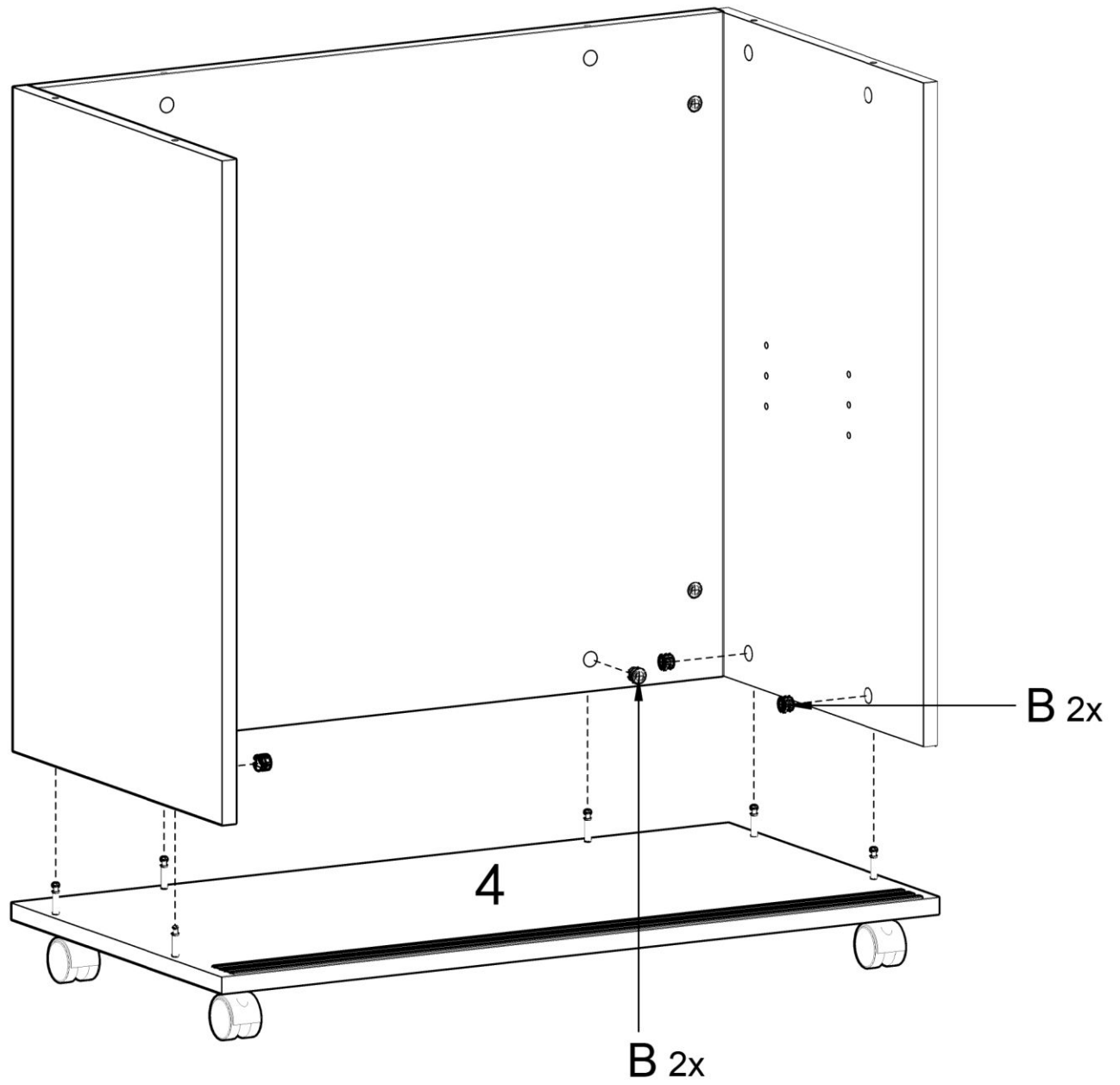
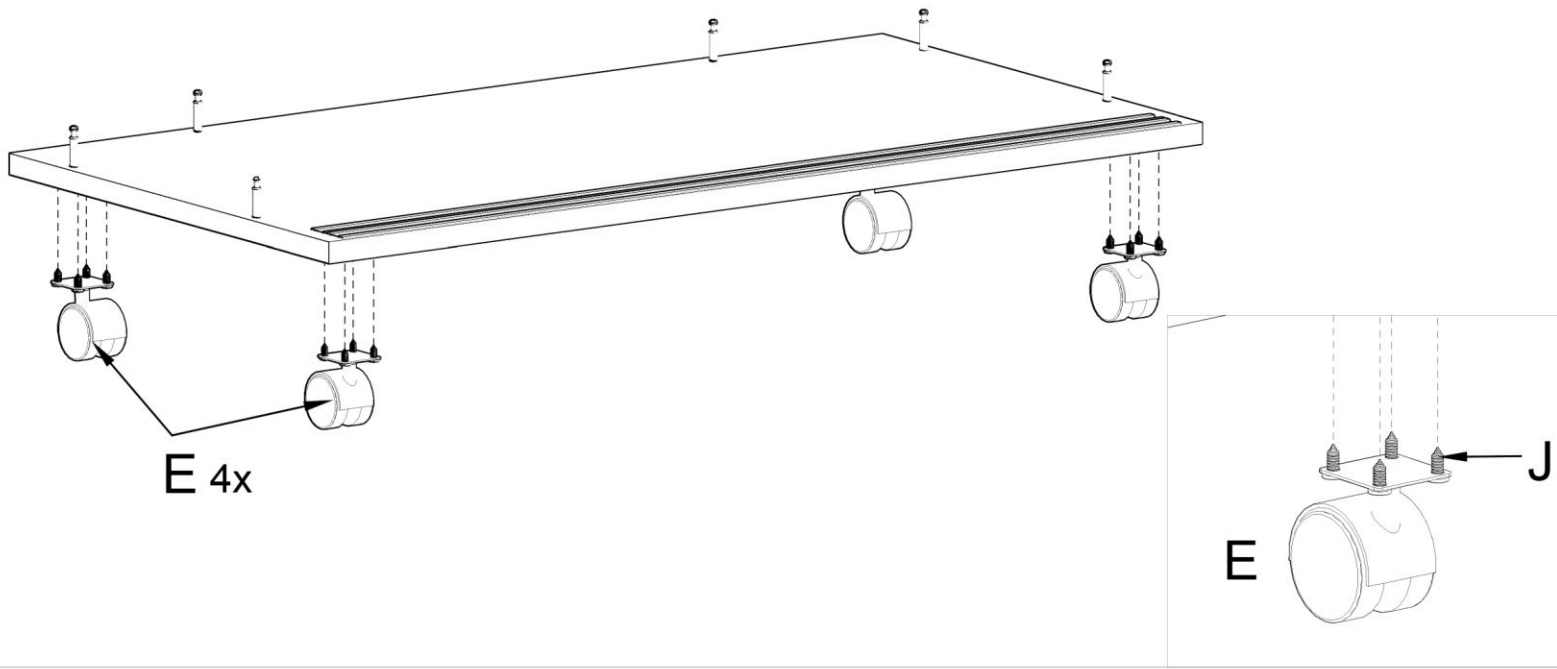
2

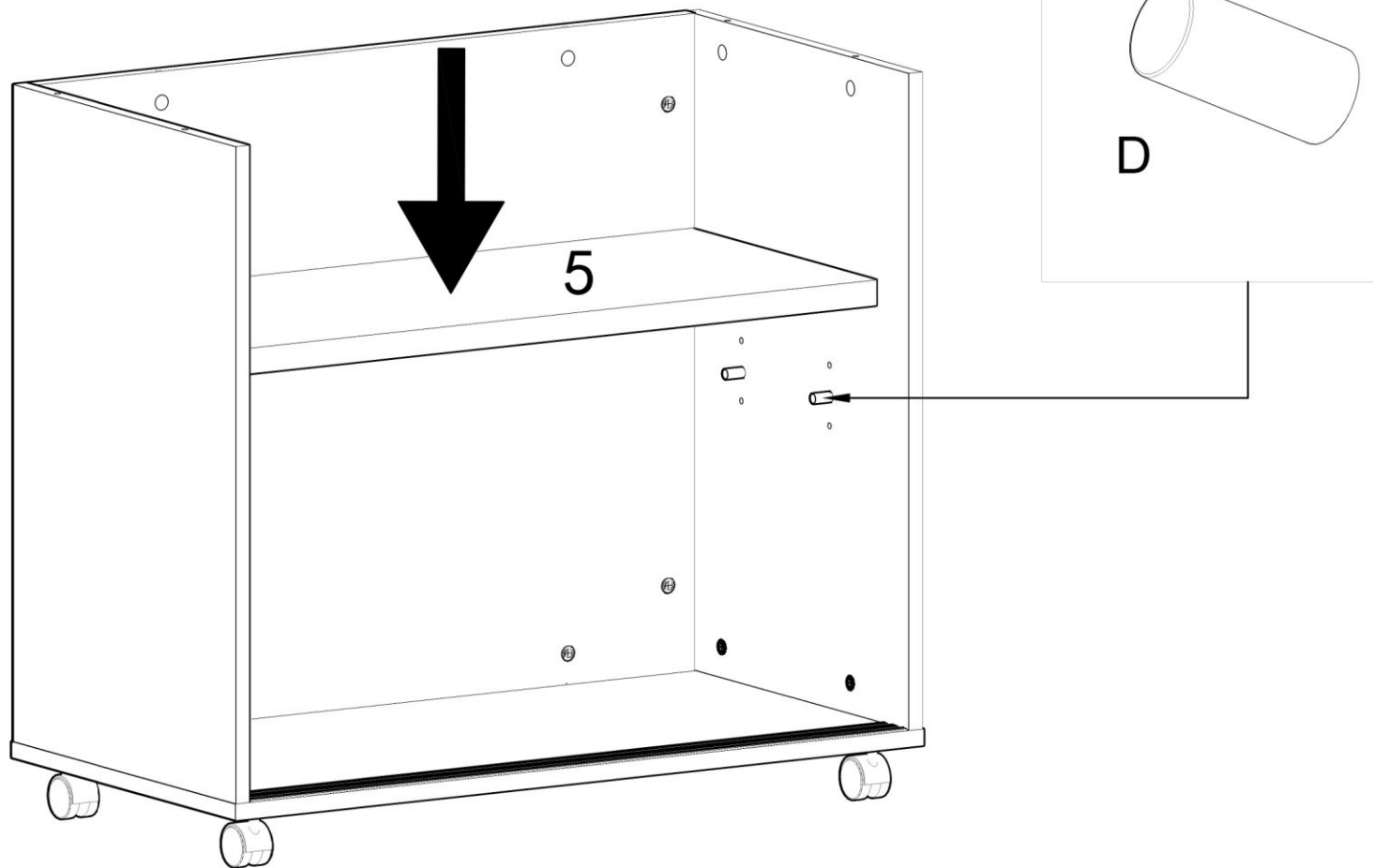
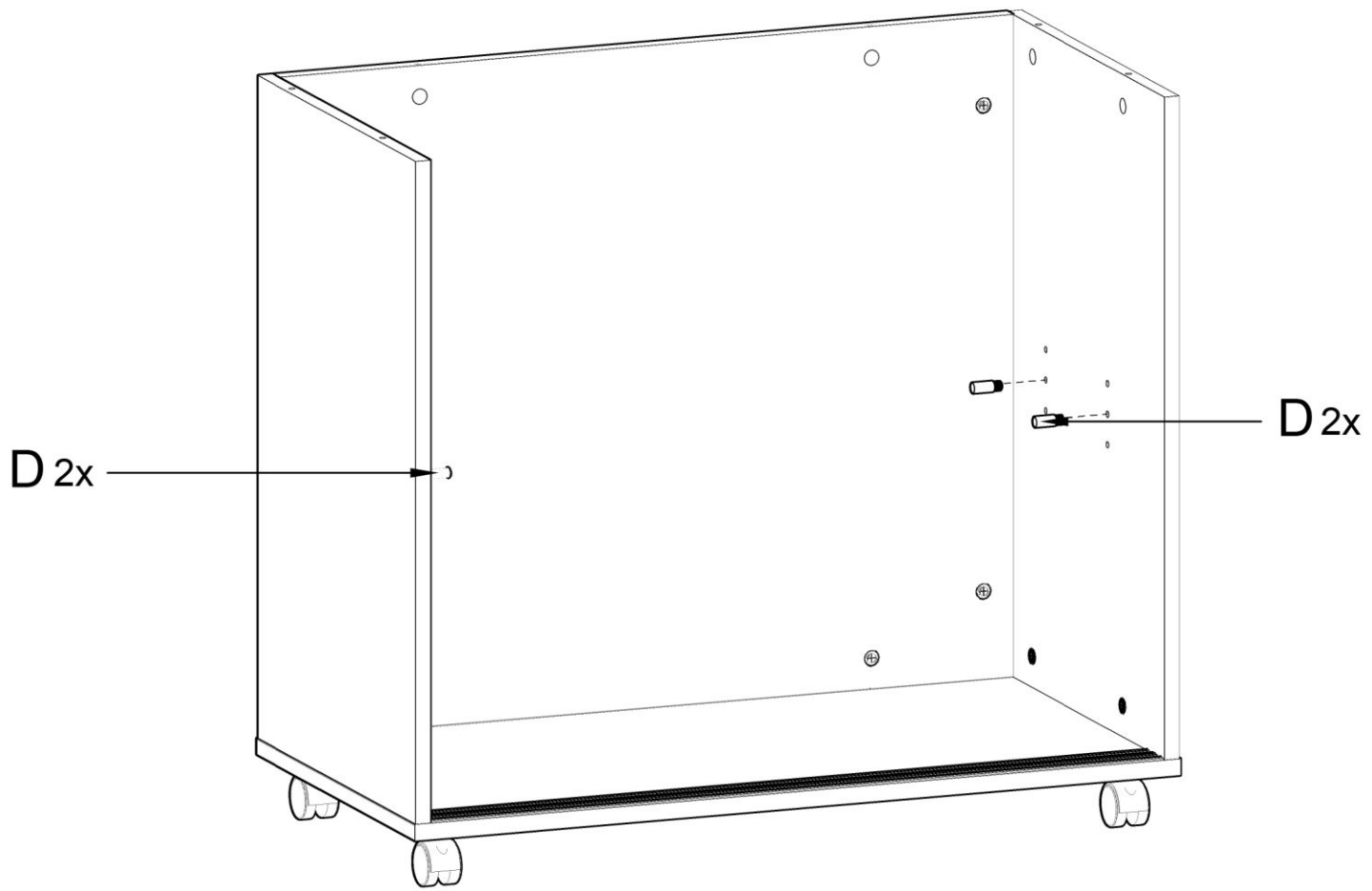
(CZ) Směr vyznačený trojúhelníkovou šípkou je rovnoběžný se šroubem.
(SK) Smer vyznačený trojuholníkovou šípkou je rovnobežný so skrutkou.
(PL) Kierunek wskazany przez trójkątną strzałkę jest równoległy do śruby.
(DE) Die durch den dreieckigen Pfeil angegebene Richtung verläuft parallel zur Schraube.



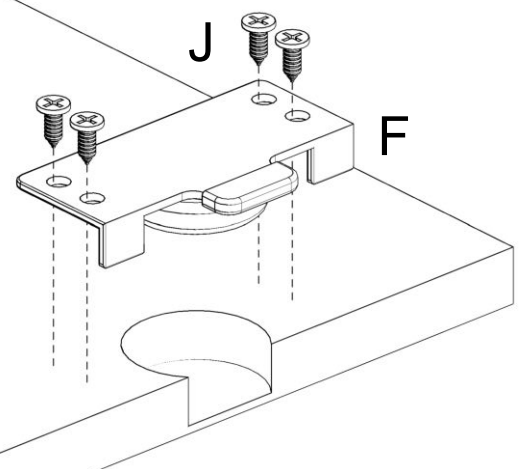
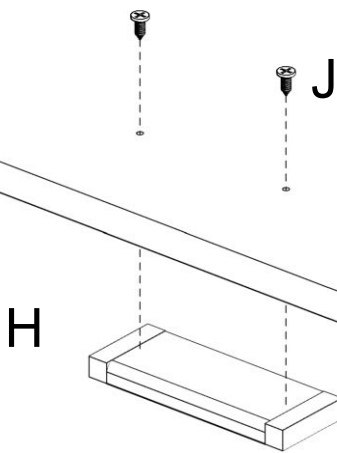
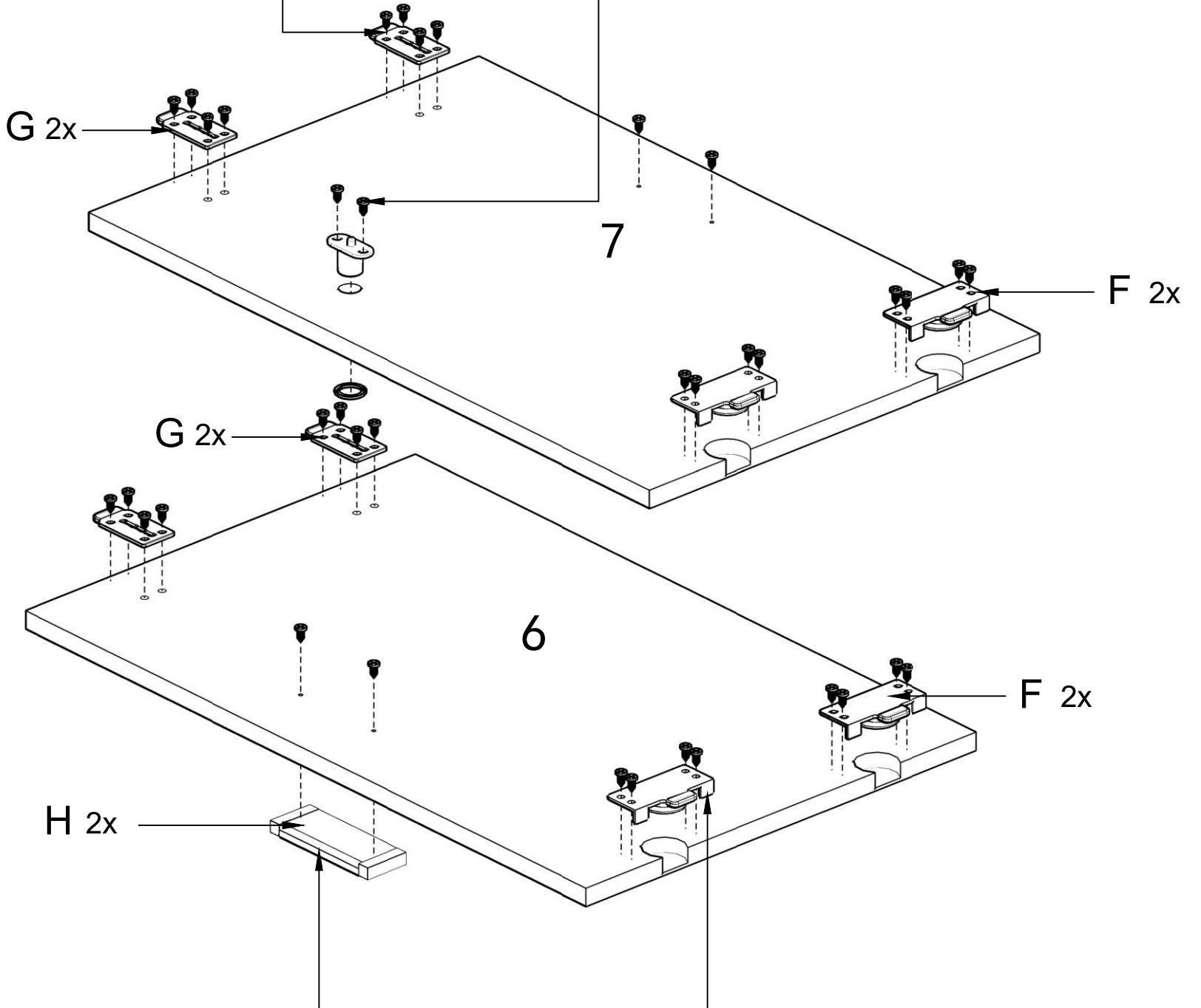
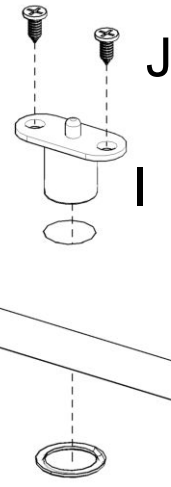
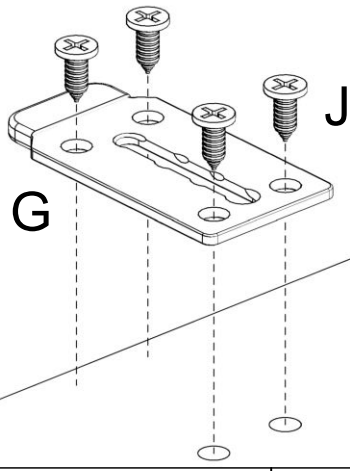
3

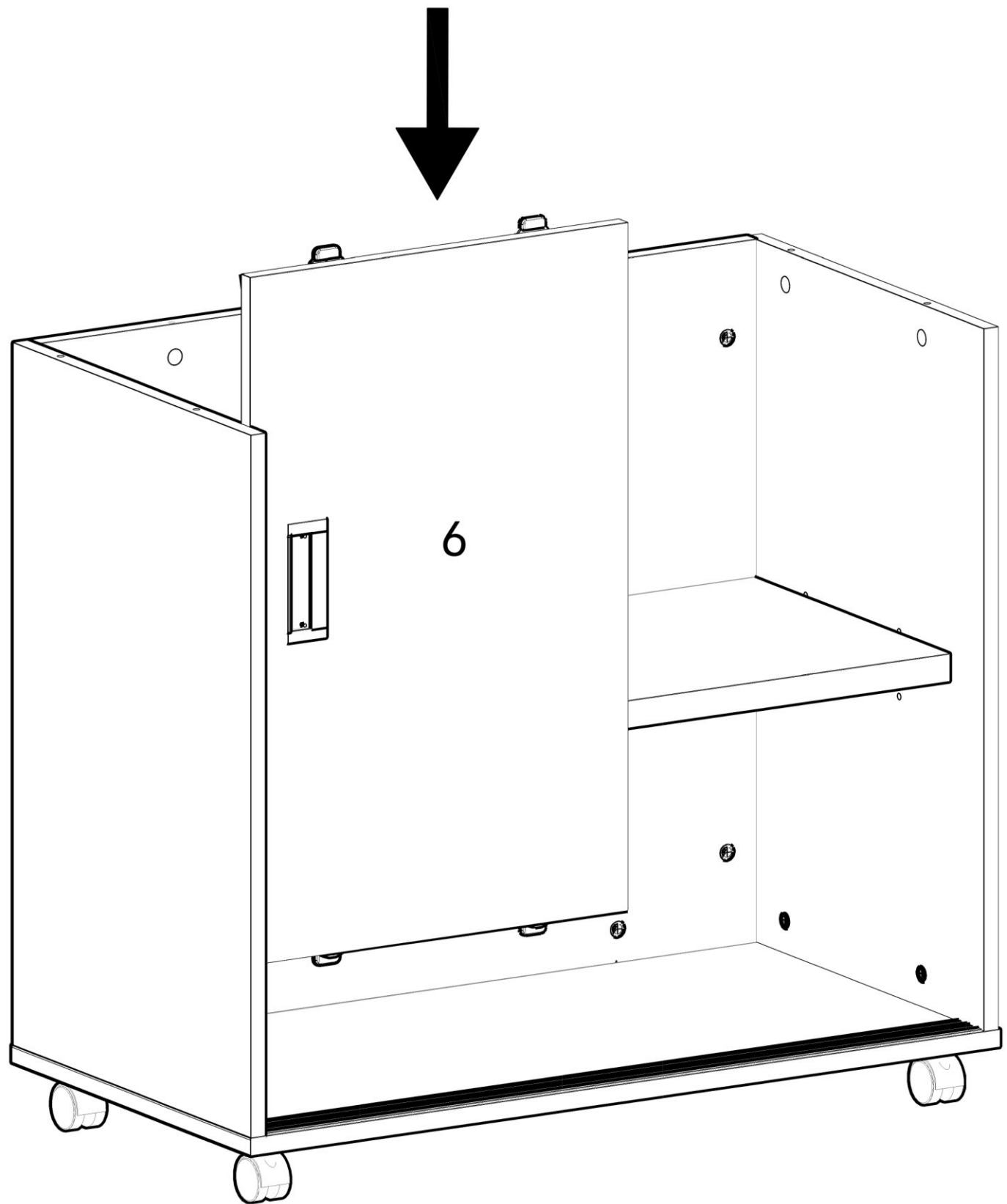


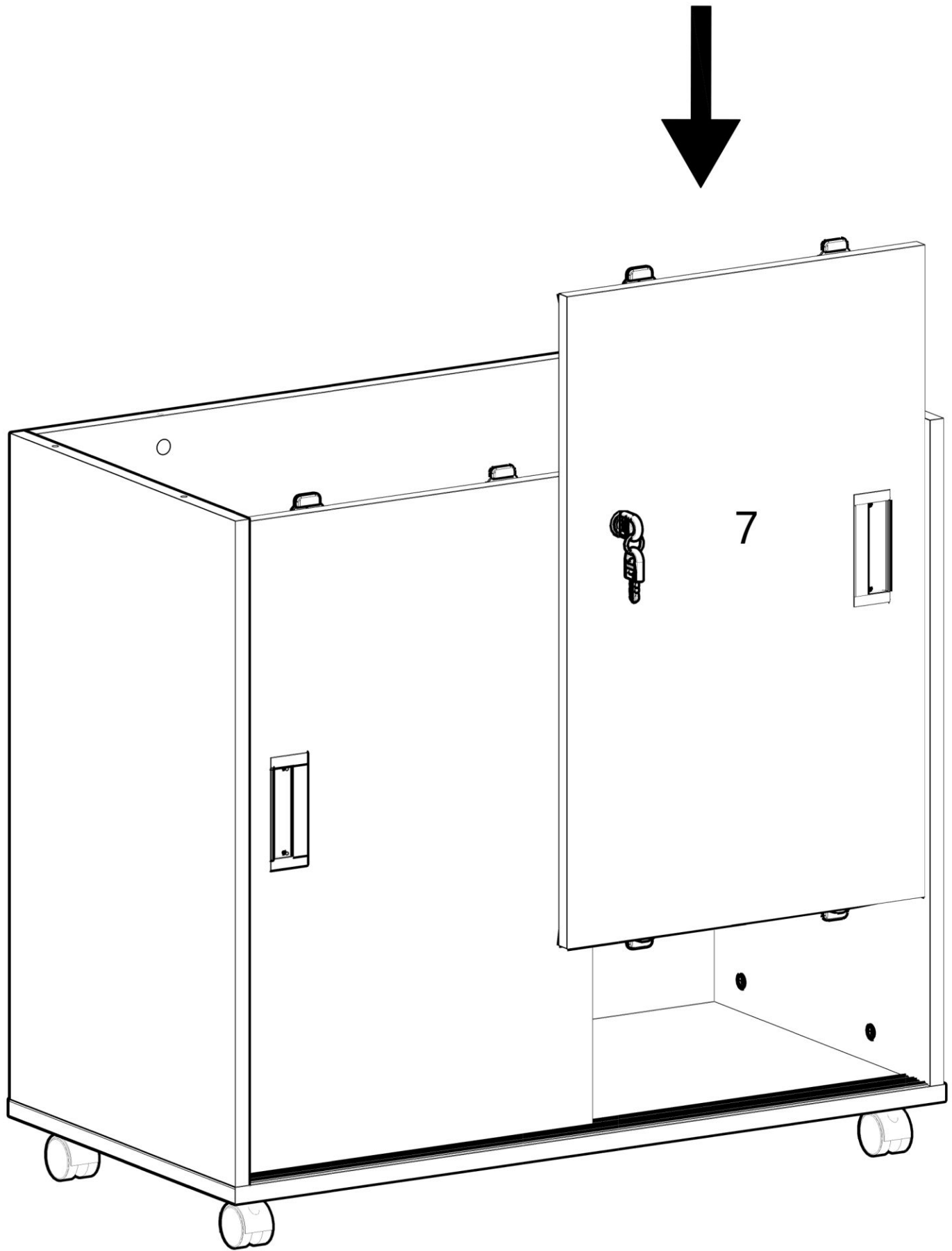


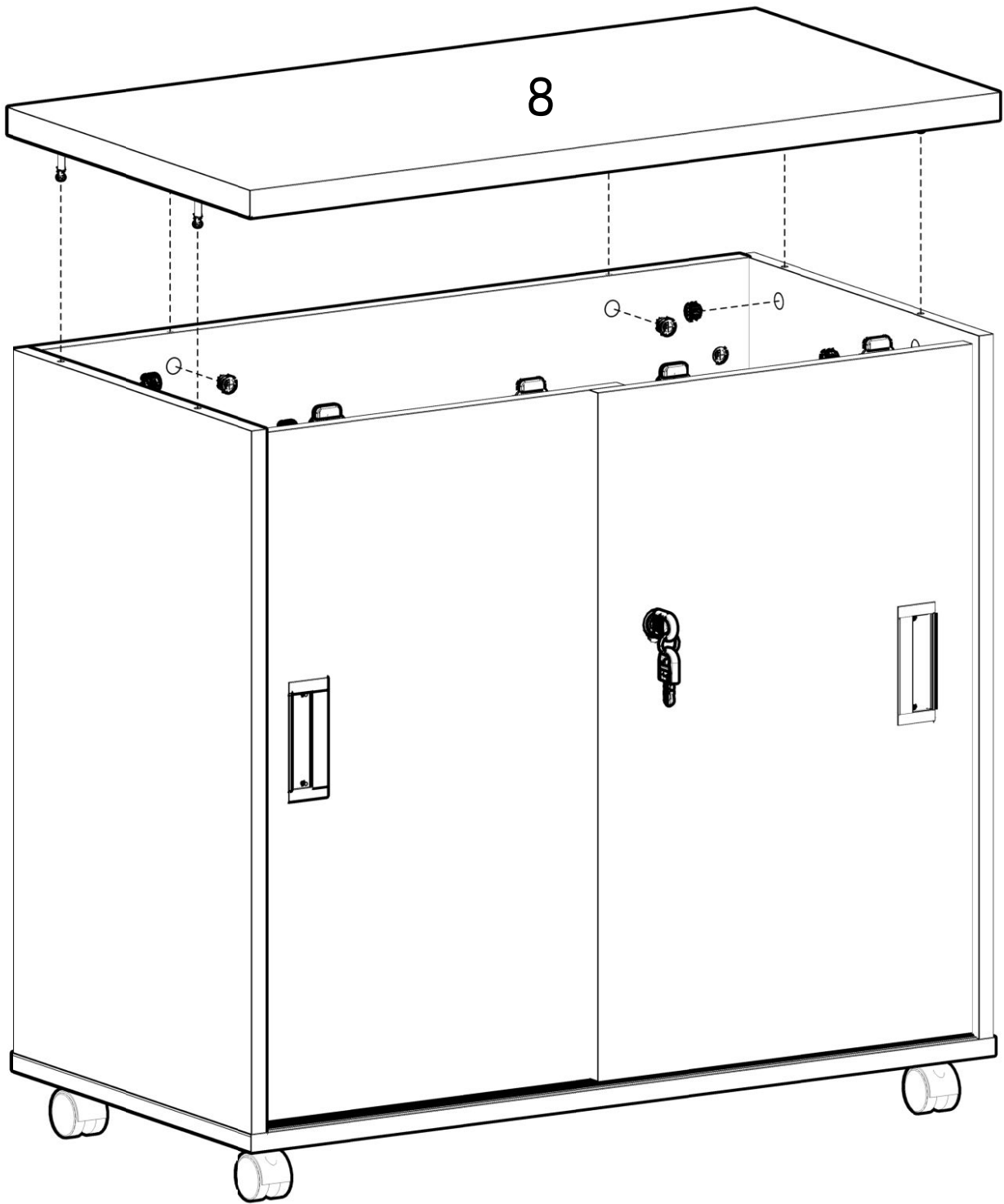
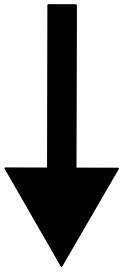


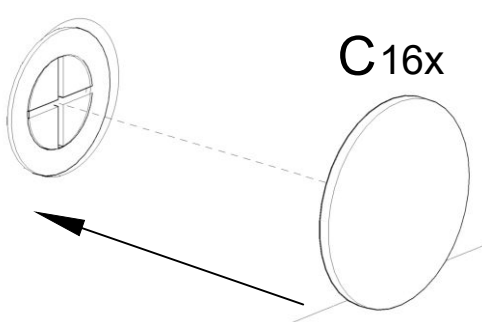
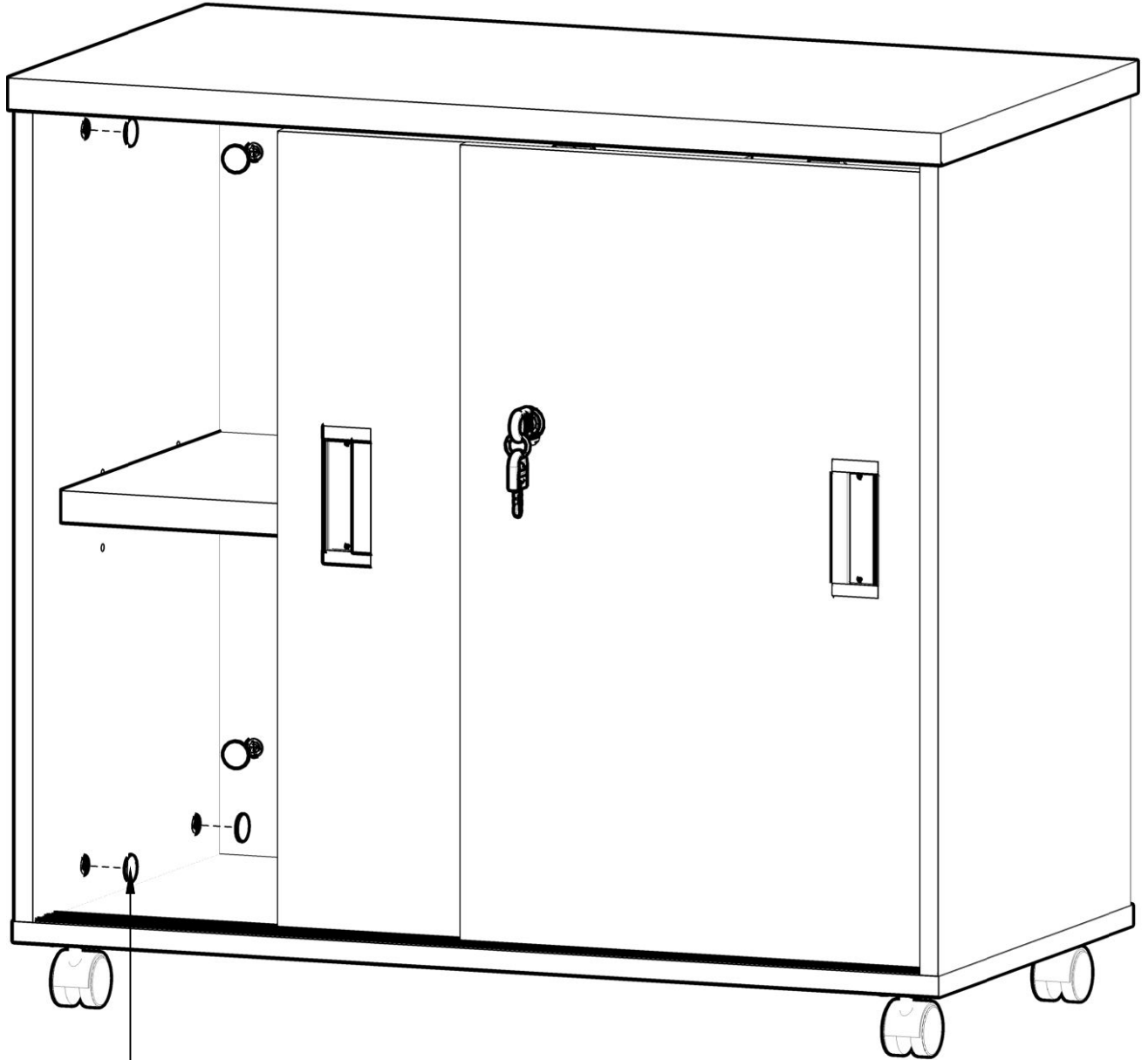
6



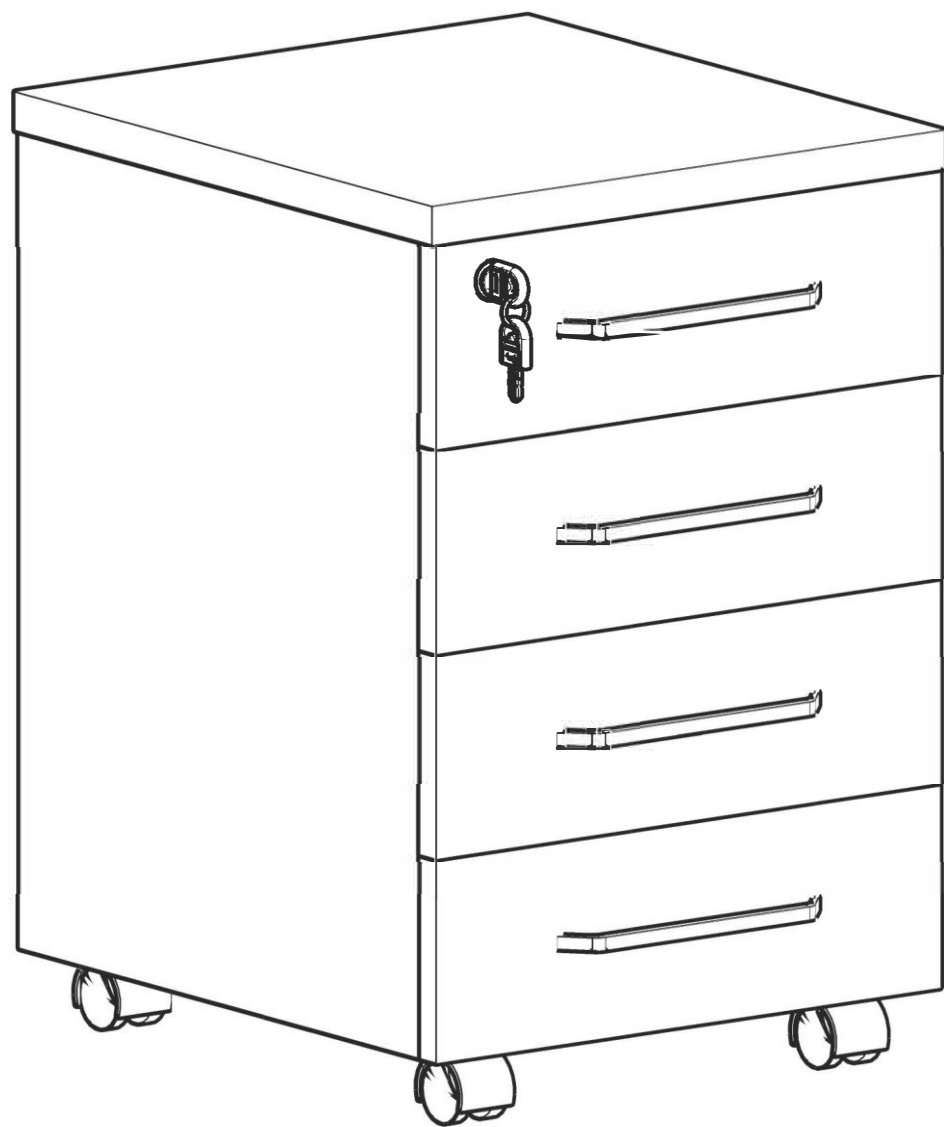



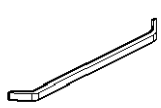
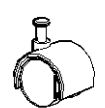



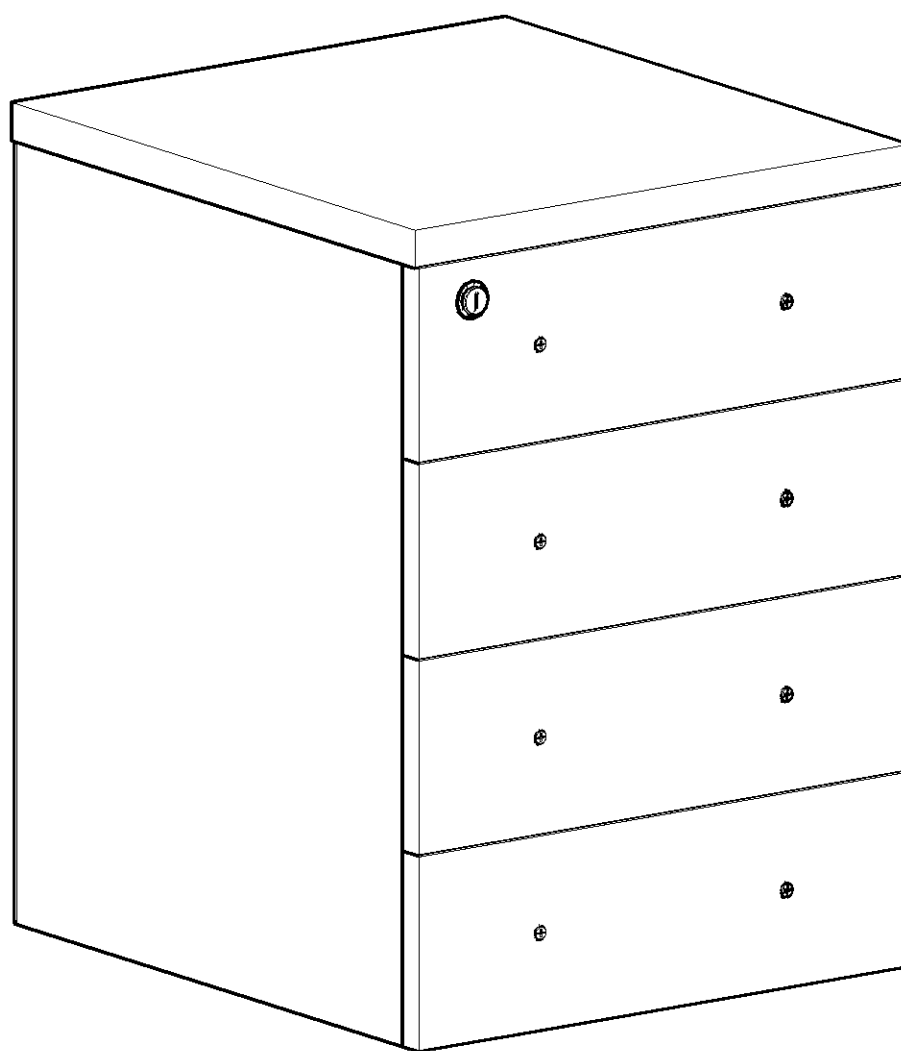


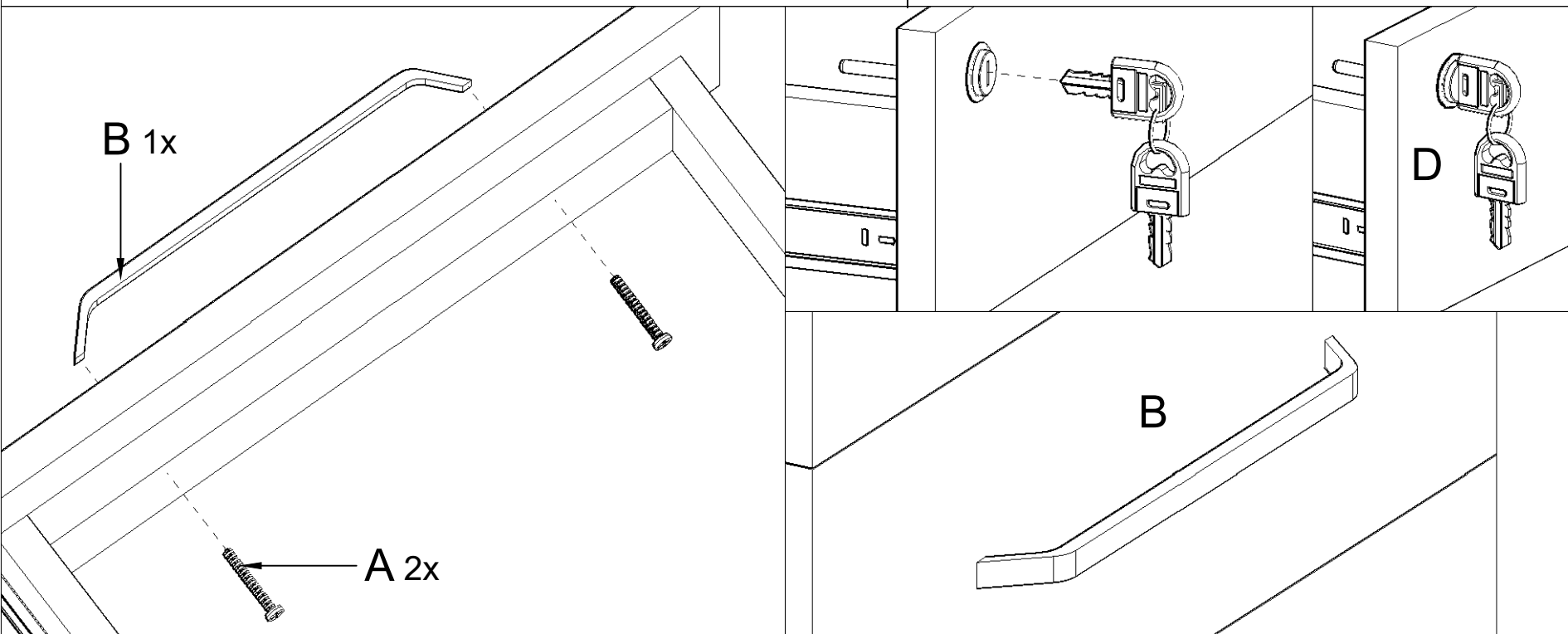
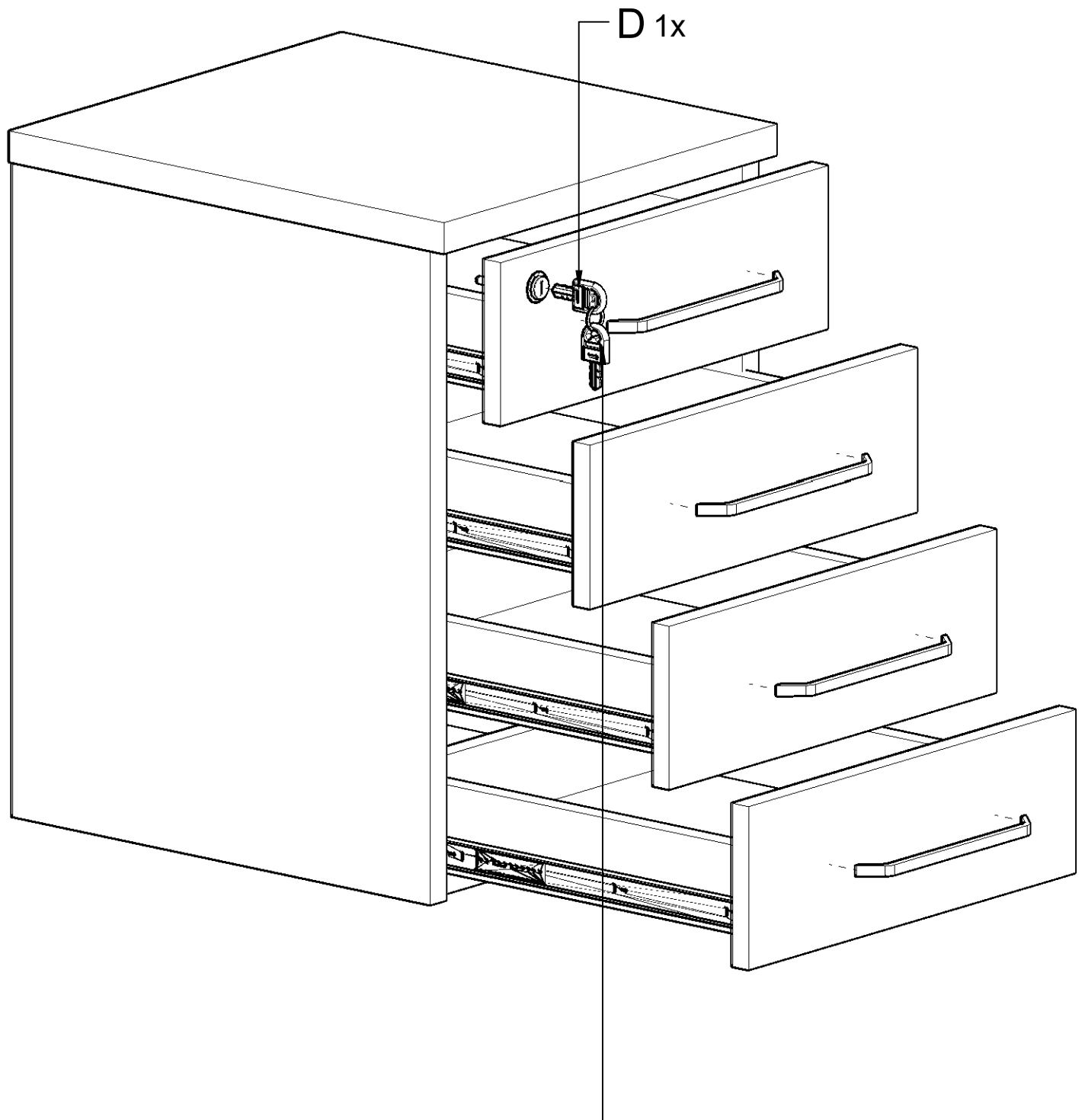


C16x

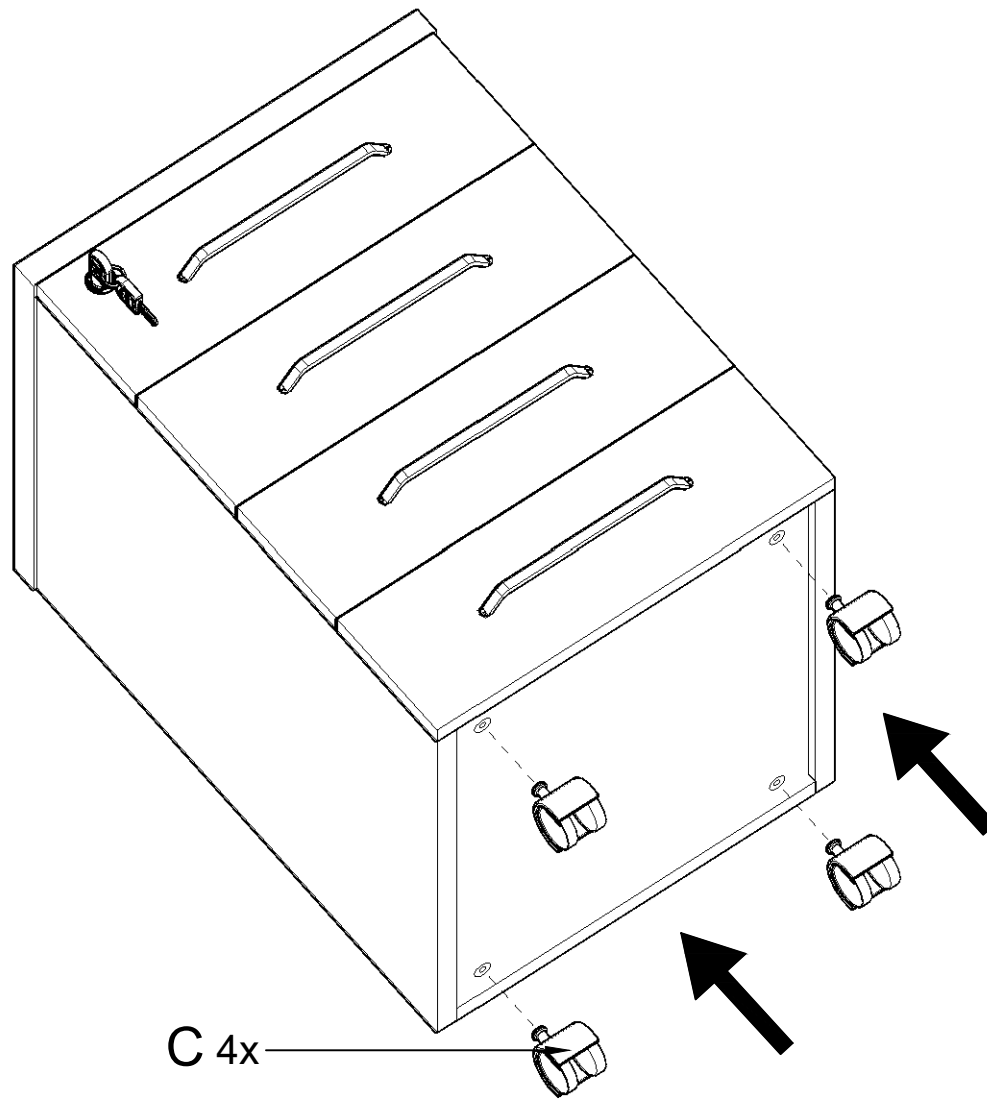


| | | | |
|----------------------------------------------------------------------------------|-----------------------------------------------------------------------------------|-----------------------------------------------------------------------------------|-----------------------------------------------------------------------------------|
|  |  |  |  |
| A | B | C | D |
| 8x | 4x | 4x | 1x |

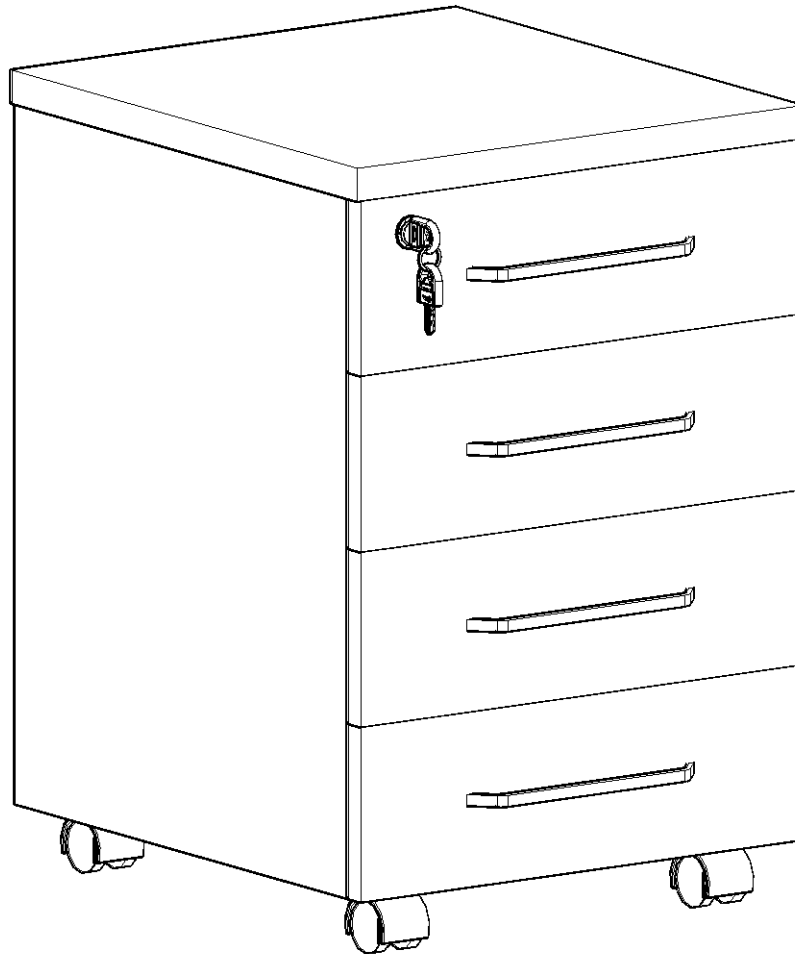


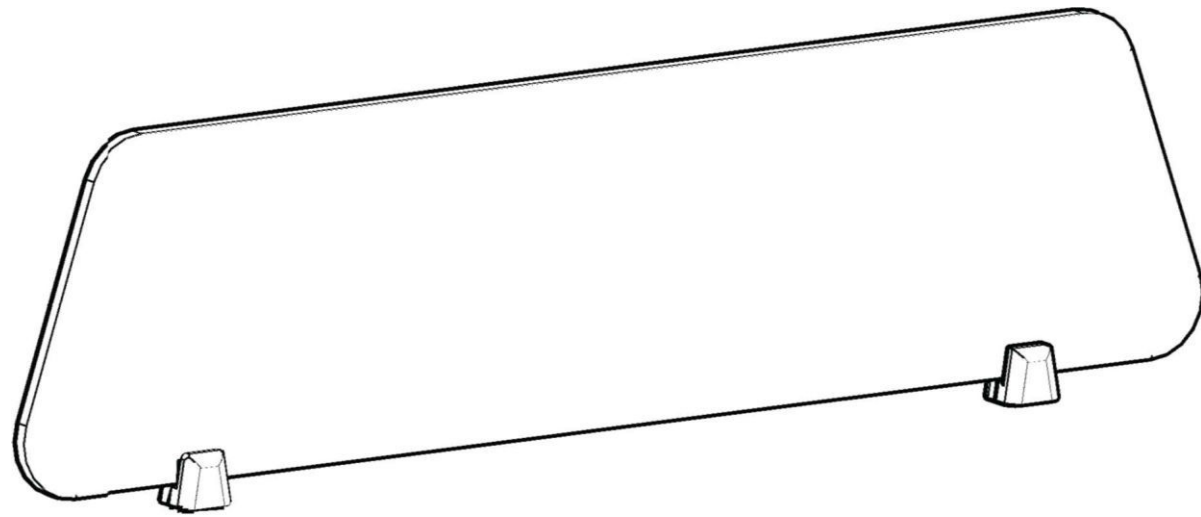





2

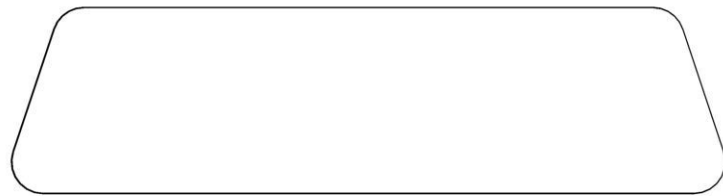


3

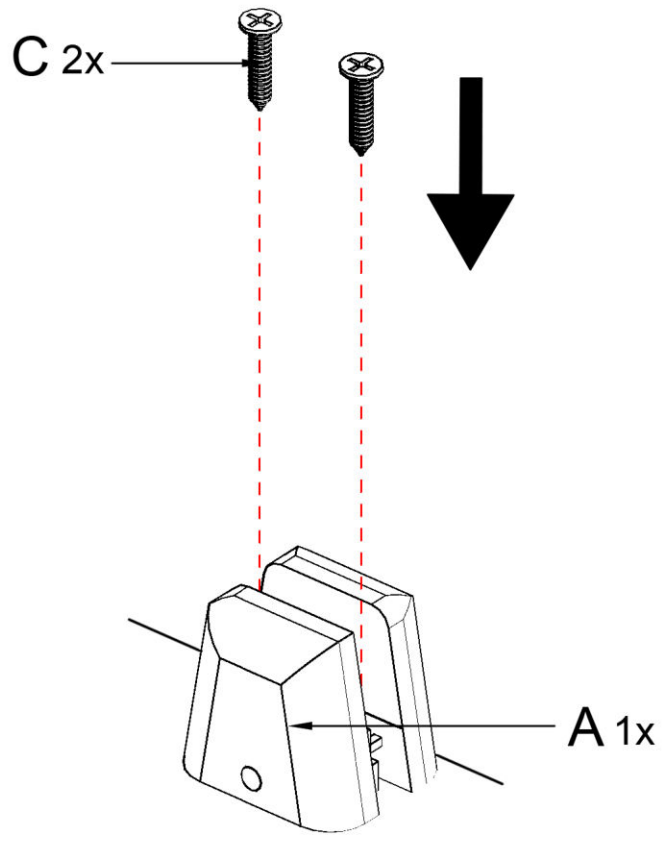




| | | | | | |
|-------------------------------------------------------------------------------------|-------------------------------------------------------------------------------------|-------------------------------------------------------------------------------------|----|---|----|
|  |  |  | | | |
| | 6X20mm | 4X35mm | | | |
| A | 2x | B | 2x | C | 4x |



1



2

