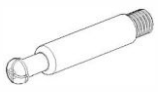




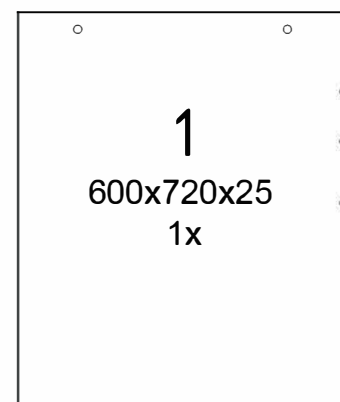
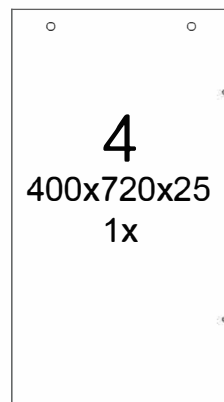
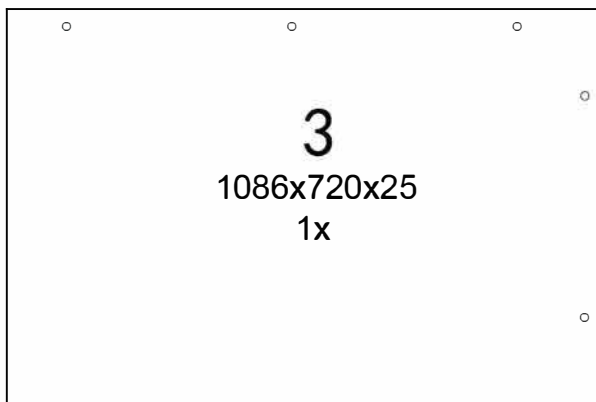
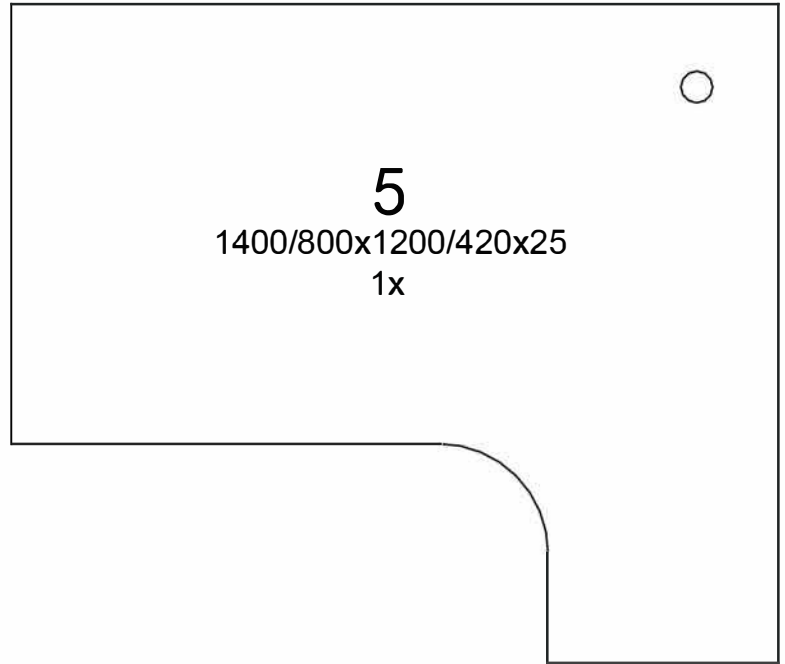
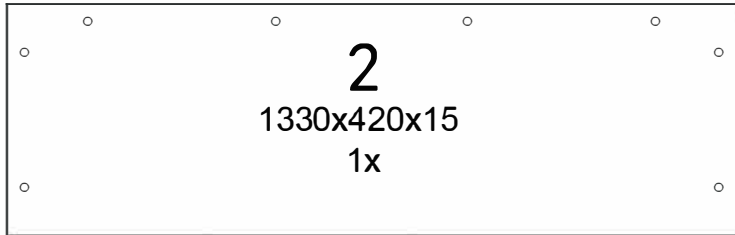
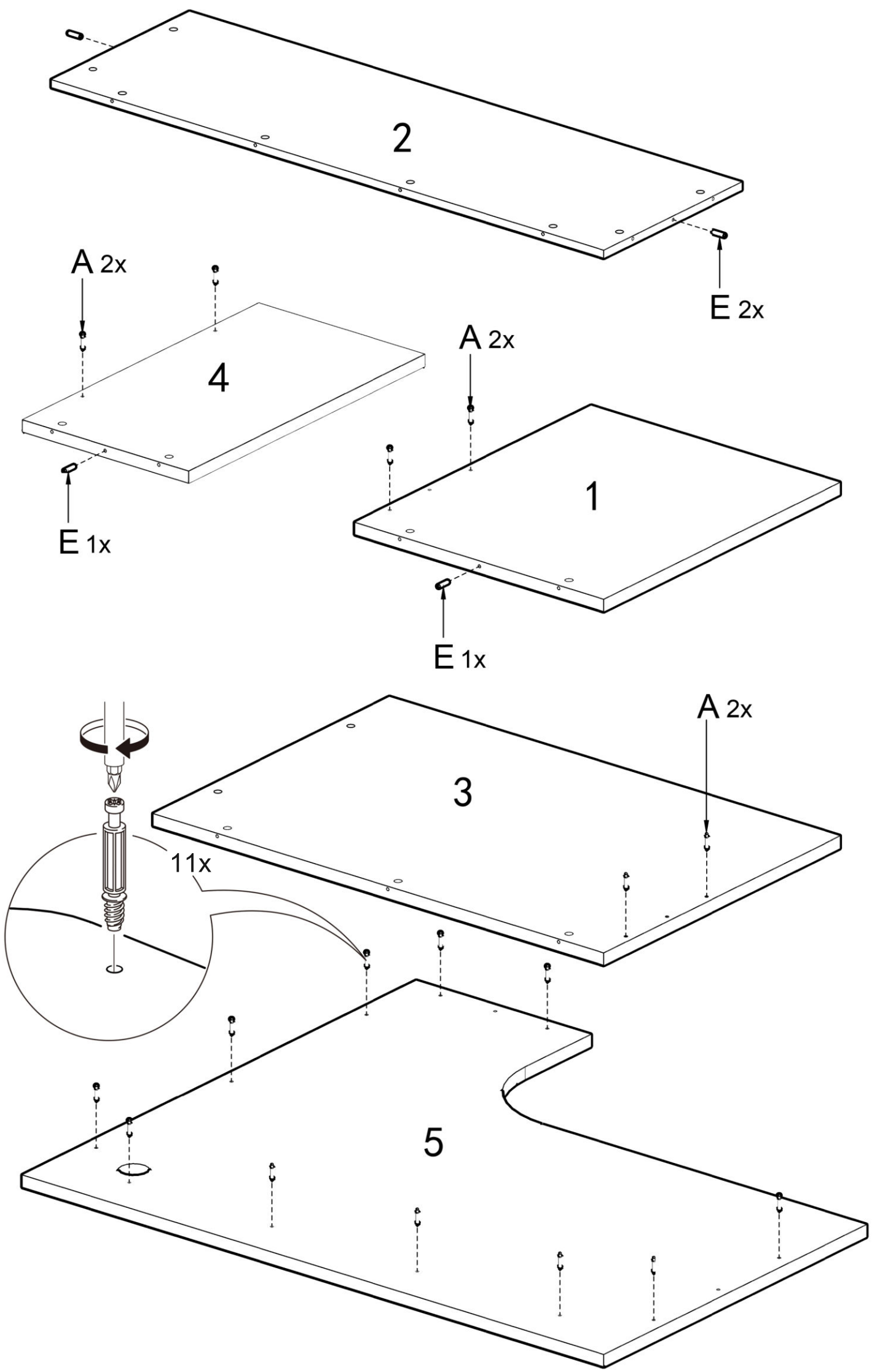
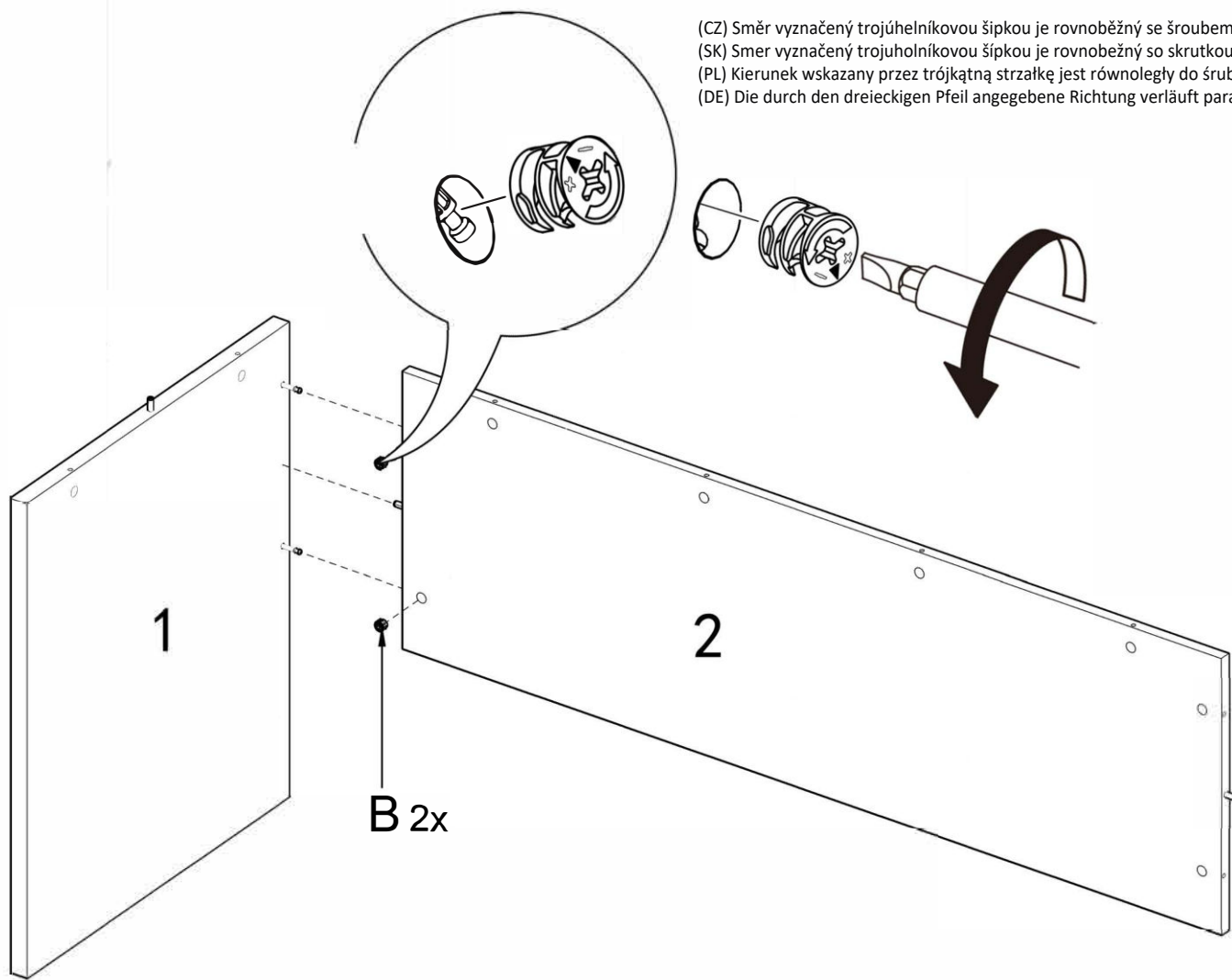


|                                                                                  |                                                                                   |                                                                                   |                                                                                   |                                                                                   |
|----------------------------------------------------------------------------------|-----------------------------------------------------------------------------------|-----------------------------------------------------------------------------------|-----------------------------------------------------------------------------------|-----------------------------------------------------------------------------------|
|  |  |  |  |  |
| A 17x                                                                            | B 17x                                                                             | C 17x                                                                             | D 1x                                                                              | E 4x                                                                              |

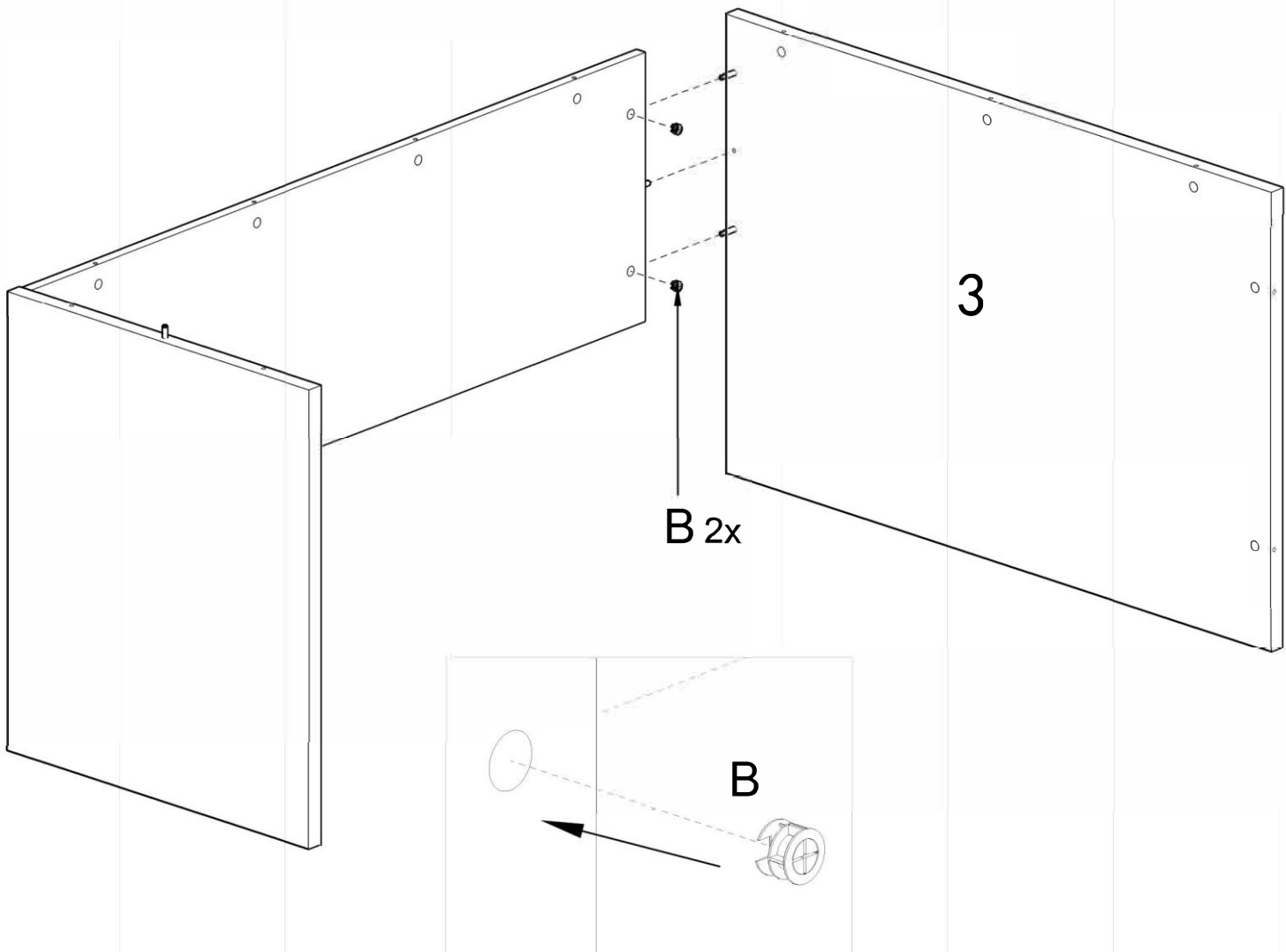


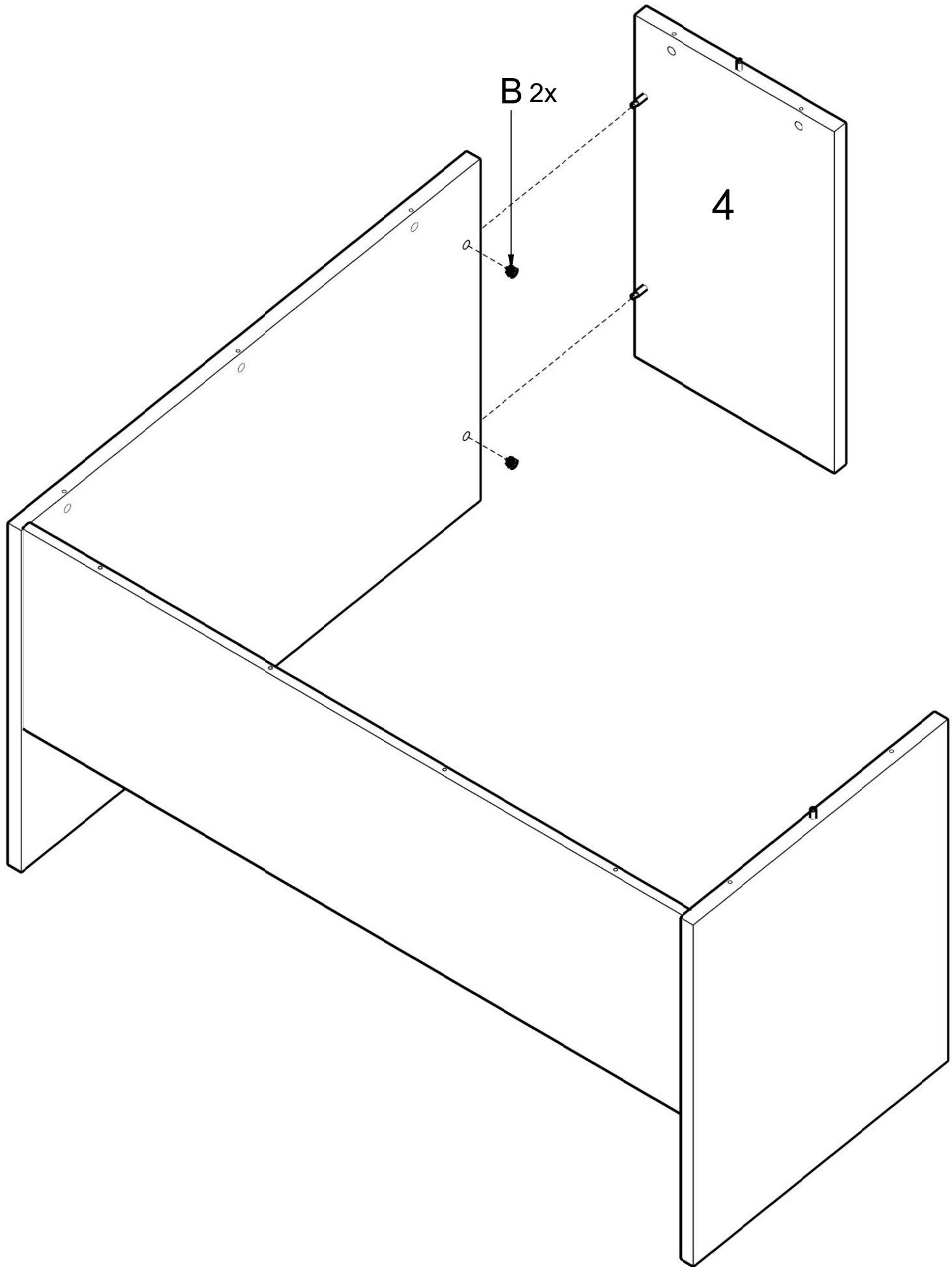


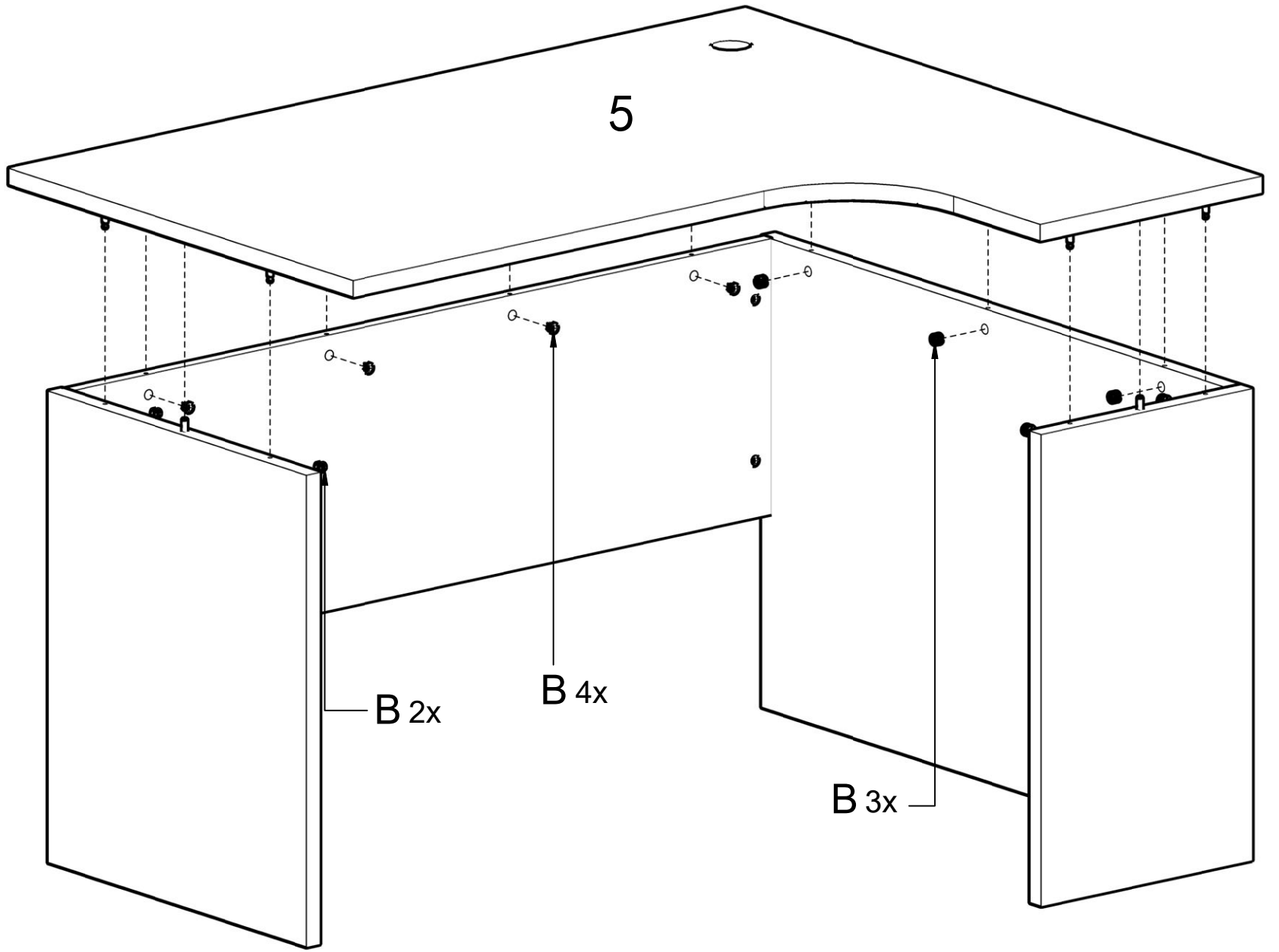
2

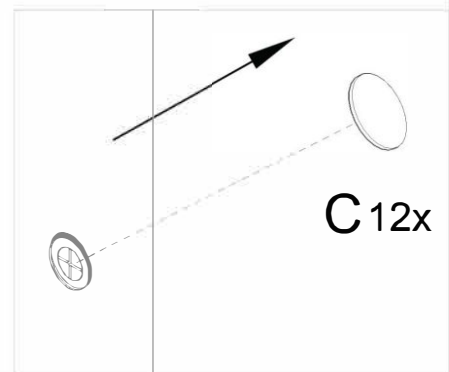
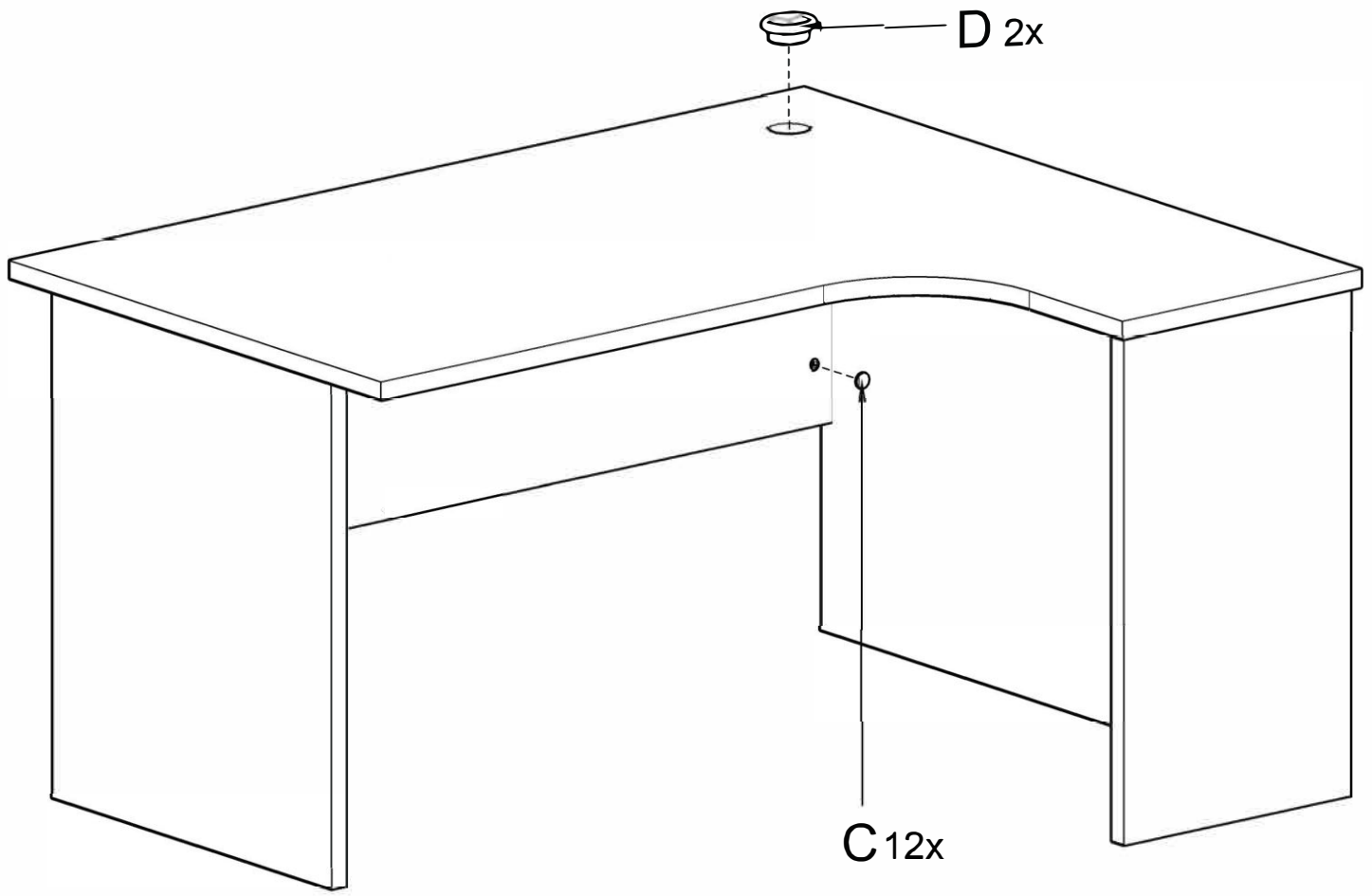


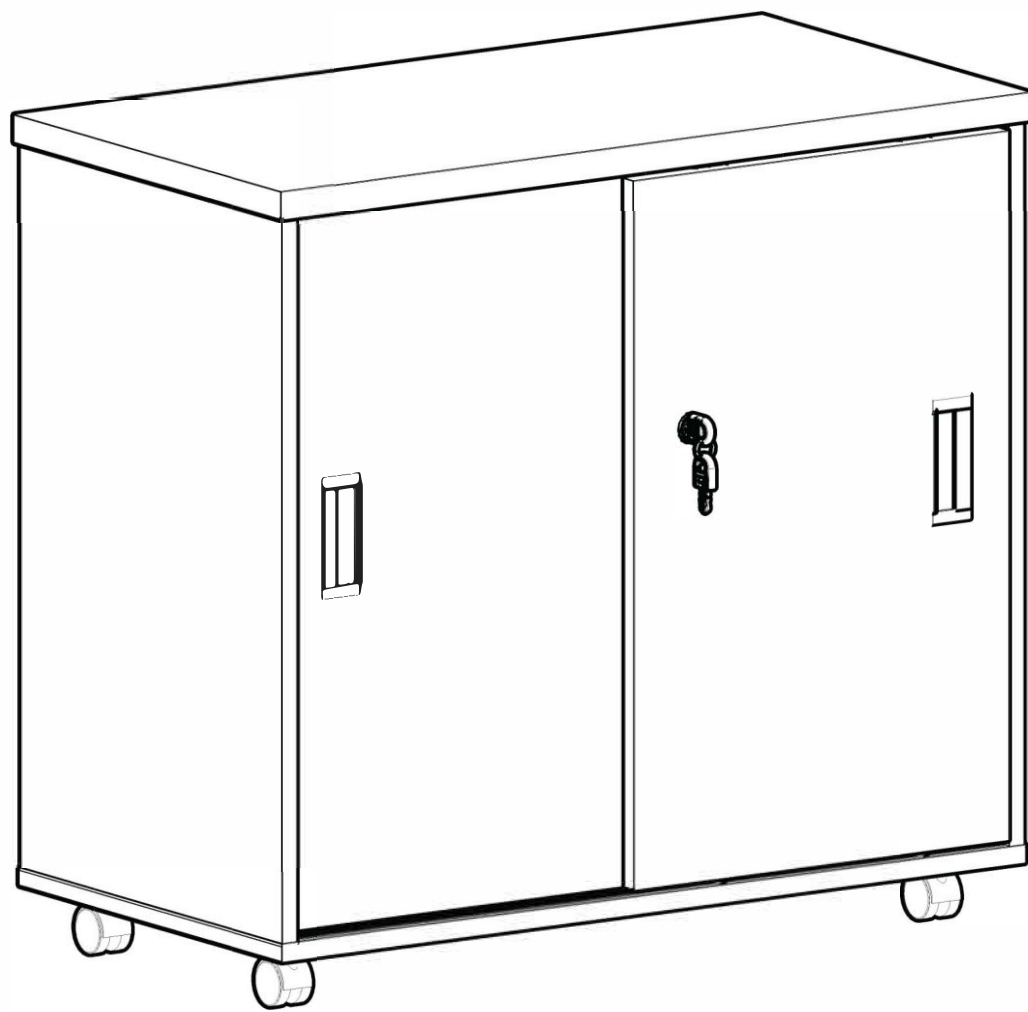
3






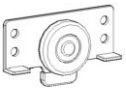





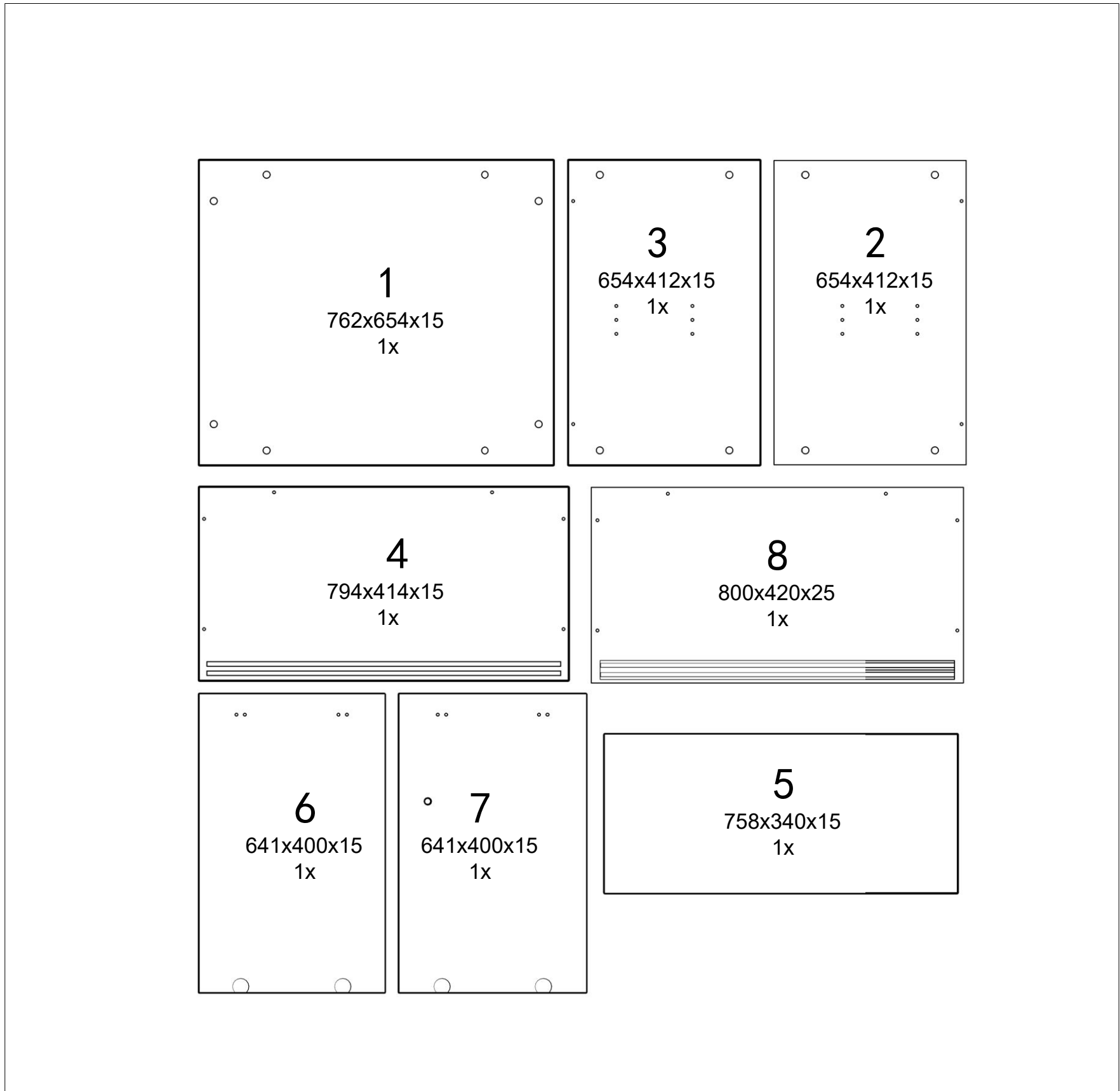
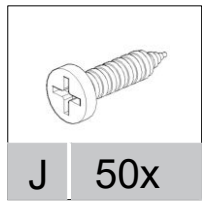


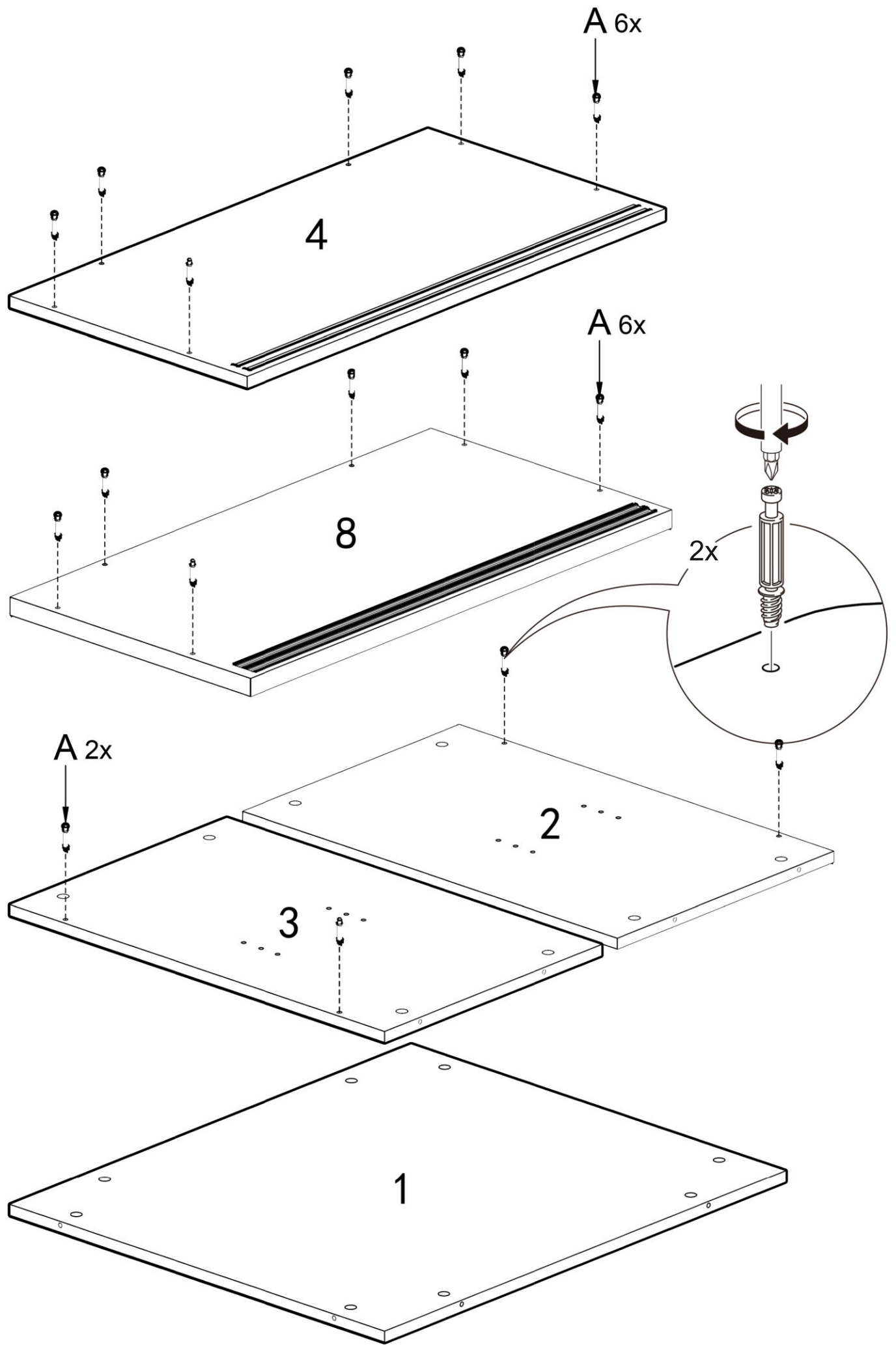






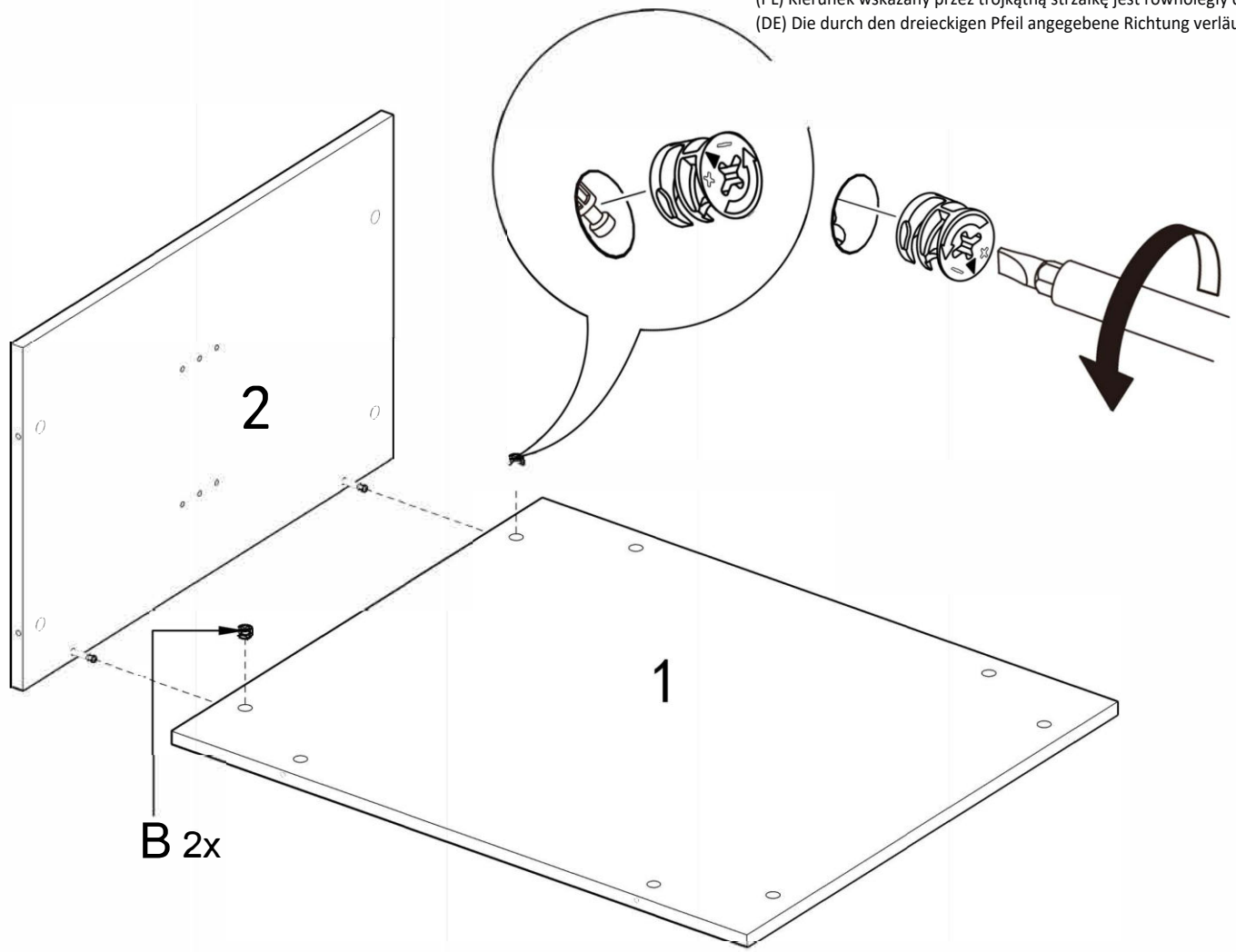
|                                                                                  |                                                                                   |                                                                                   |                                                                                   |                                                                                    |                                                                                     |                                                                                     |                                                                                     |                                                                                     |    |   |    |   |    |   |    |   |    |
|----------------------------------------------------------------------------------|-----------------------------------------------------------------------------------|-----------------------------------------------------------------------------------|-----------------------------------------------------------------------------------|------------------------------------------------------------------------------------|-------------------------------------------------------------------------------------|-------------------------------------------------------------------------------------|-------------------------------------------------------------------------------------|-------------------------------------------------------------------------------------|----|---|----|---|----|---|----|---|----|
|  |  |  |  |  |  |  |  |  |    |   |    |   |    |   |    |   |    |
| A                                                                                | 16x                                                                               | B                                                                                 | 16x                                                                               | C                                                                                  | 16x                                                                                 | D                                                                                   | 4x                                                                                  | E                                                                                   | 4x | F | 4x | G | 4x | H | 2x | I | 1x |



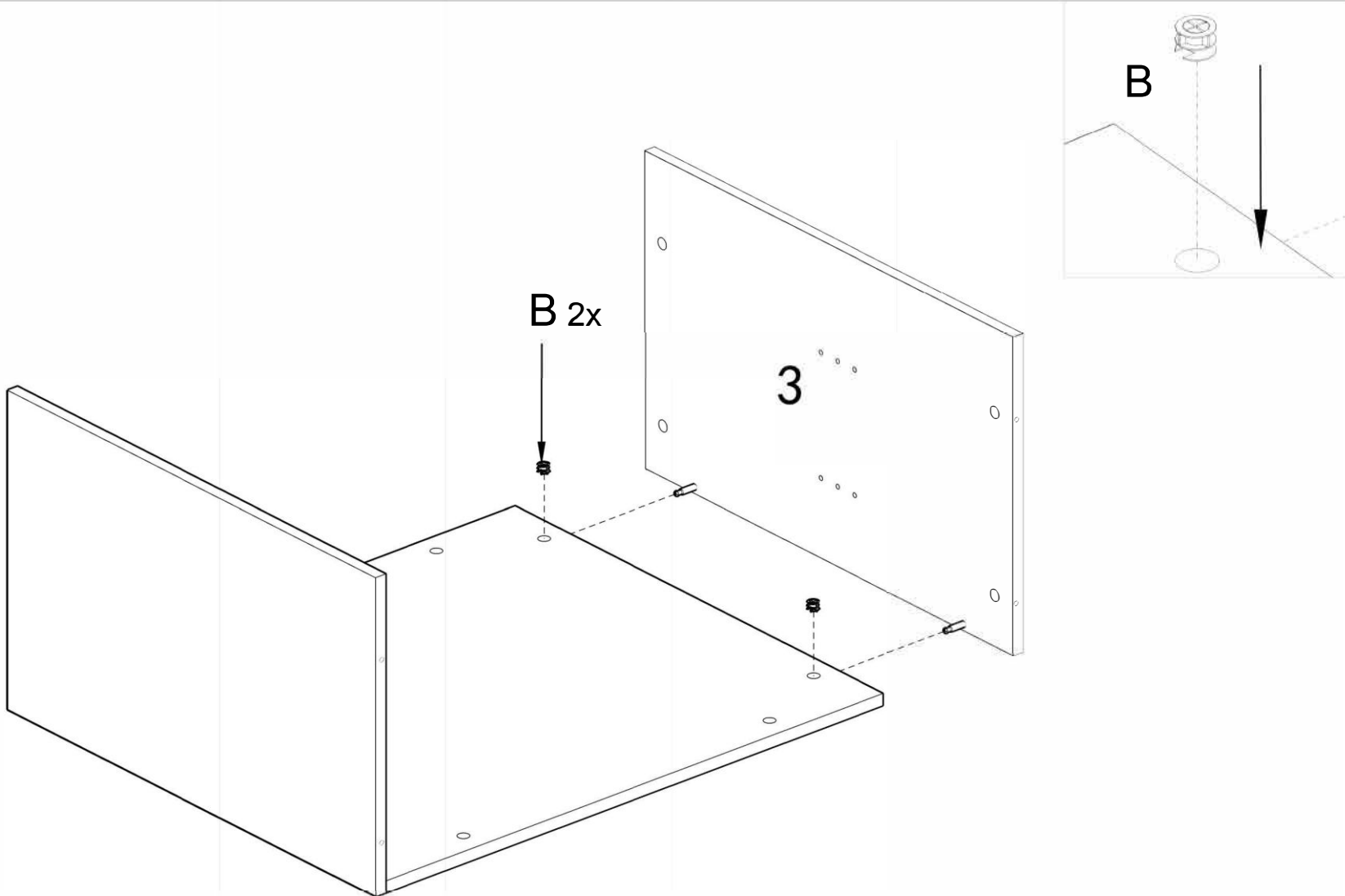


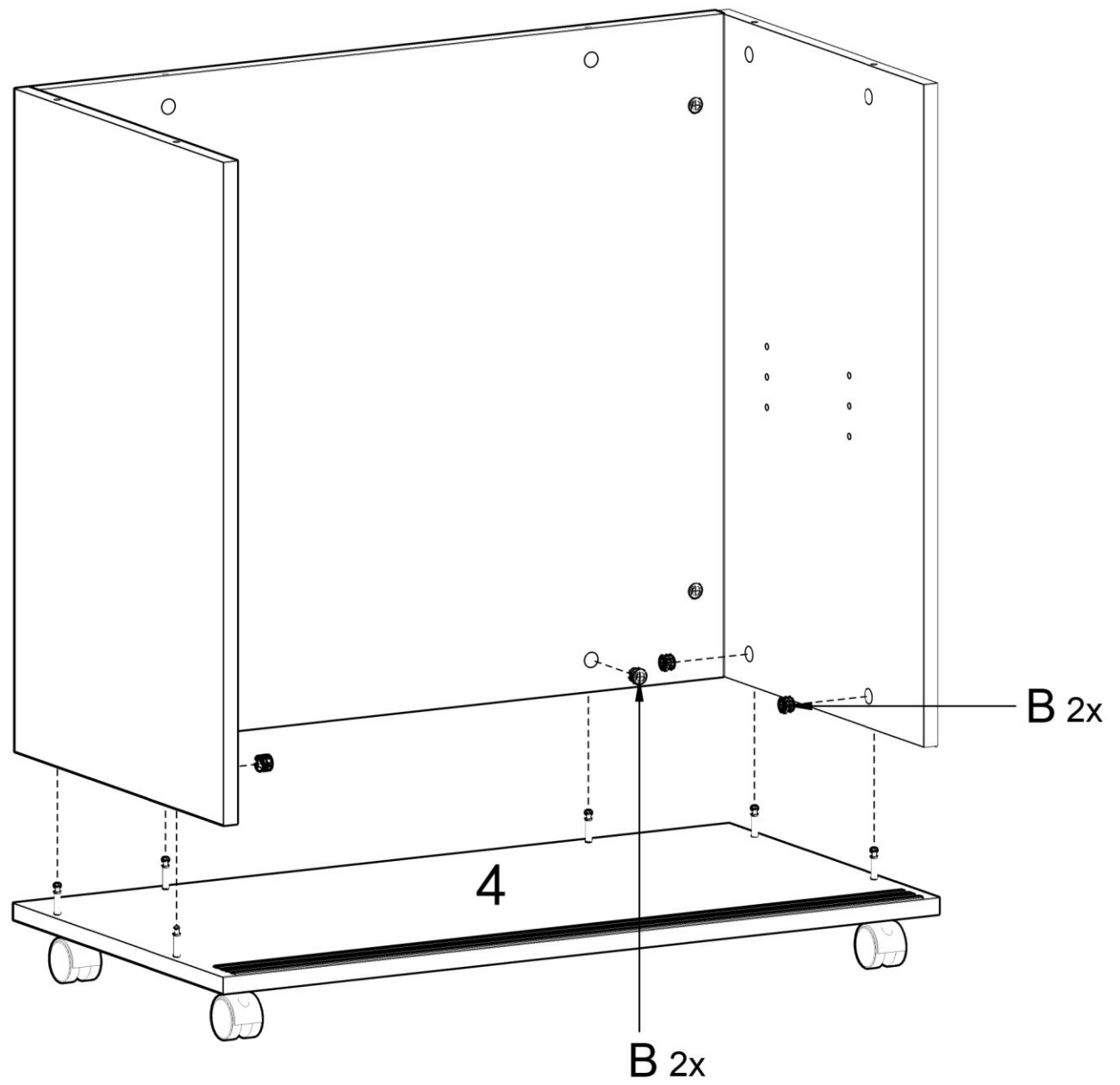
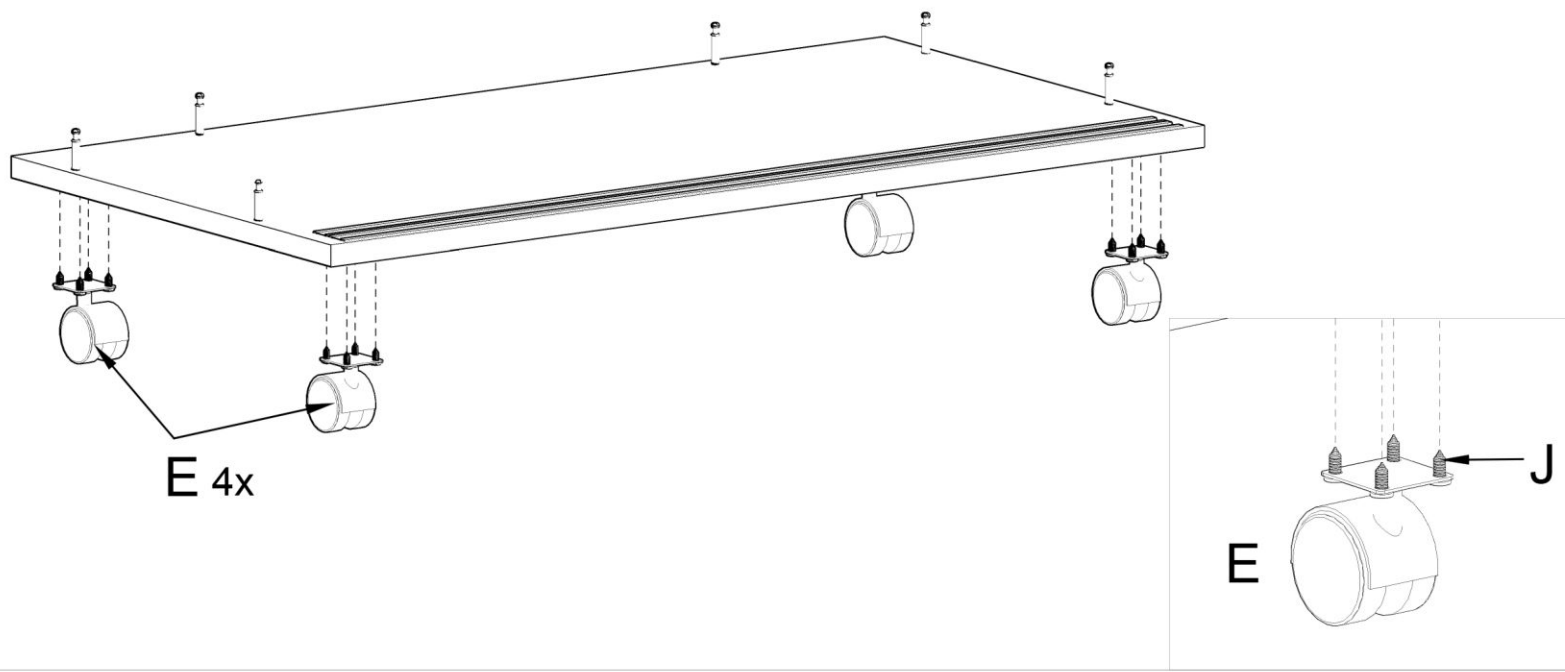
2

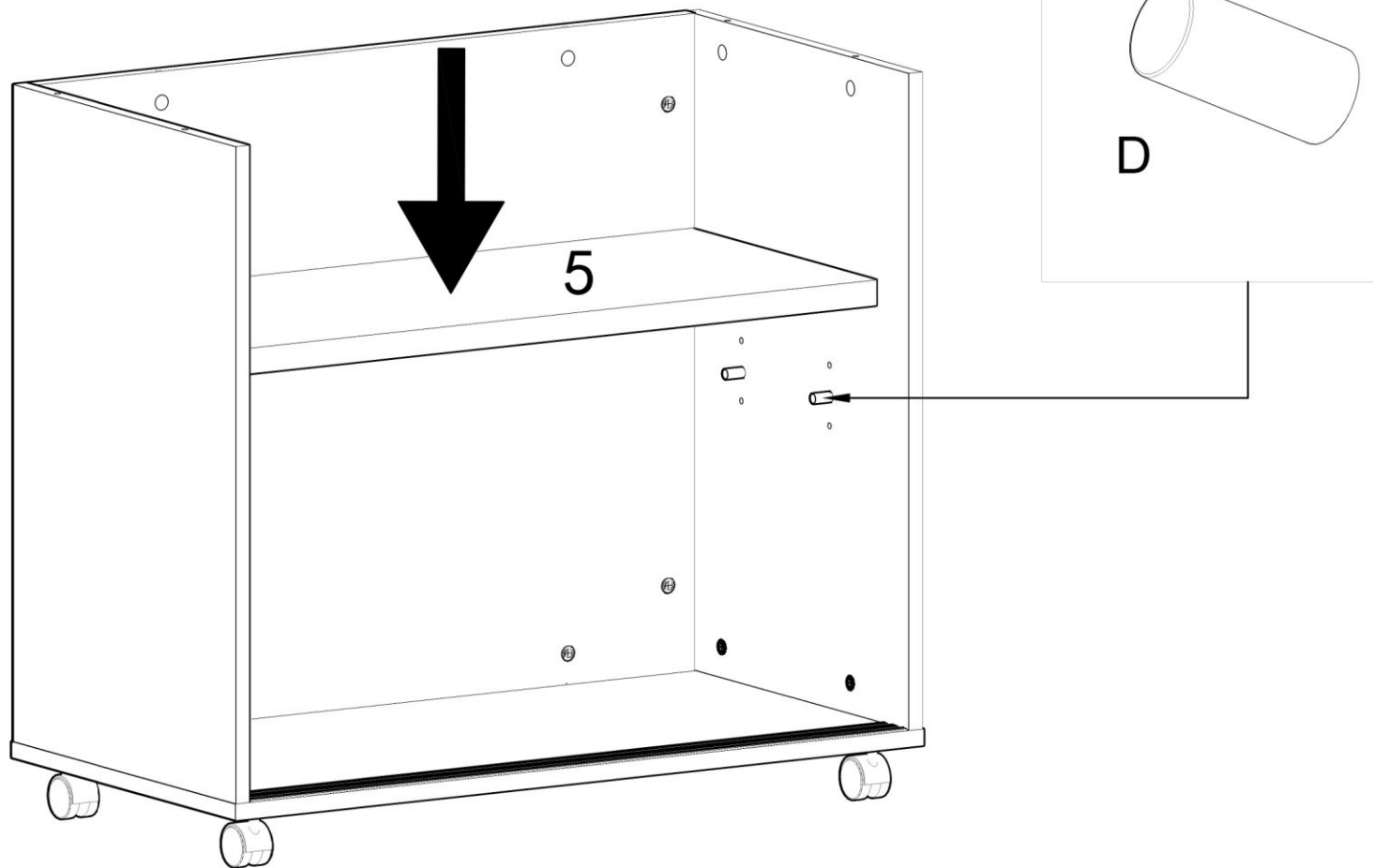
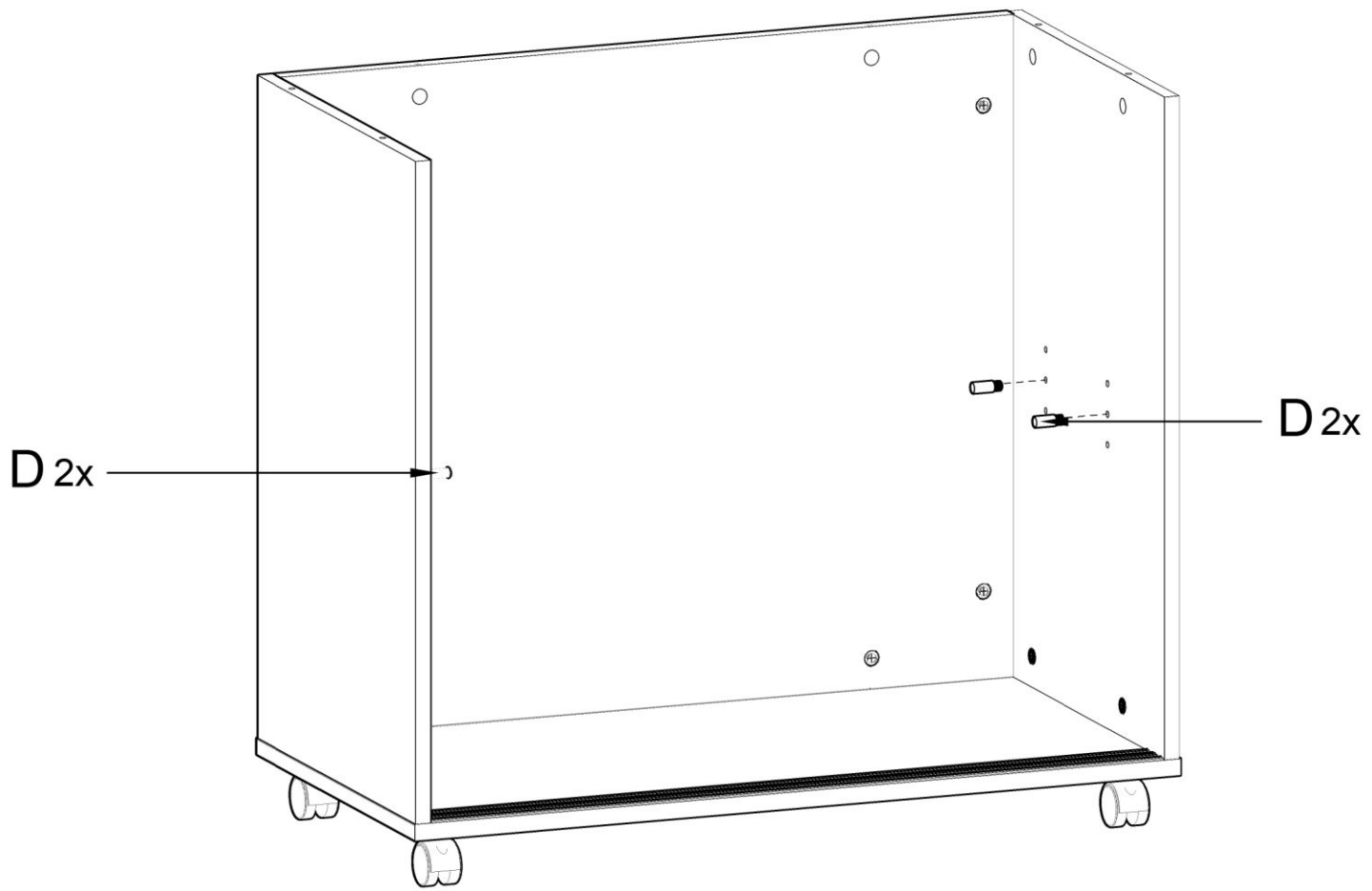
(CZ) Směr vyznačený trojúhelníkovou šípkou je rovnoběžný se šroubem.  
(SK) Smer vyznačený trojuholníkovou šípkou je rovnobežný so skrutkou.  
(PL) Kierunek wskazany przez trójkątną strzałkę jest równoległy do śruby.  
(DE) Die durch den dreieckigen Pfeil angegebene Richtung verläuft parallel zur Schraube.



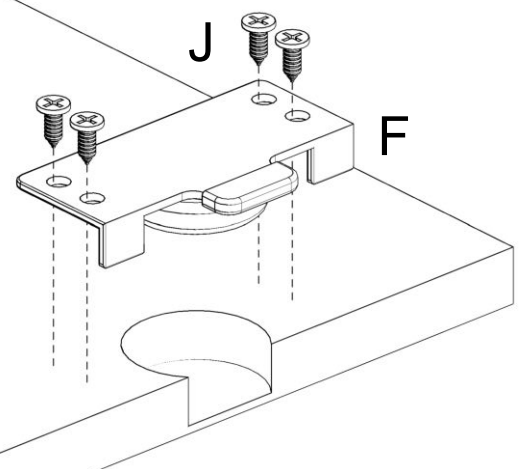
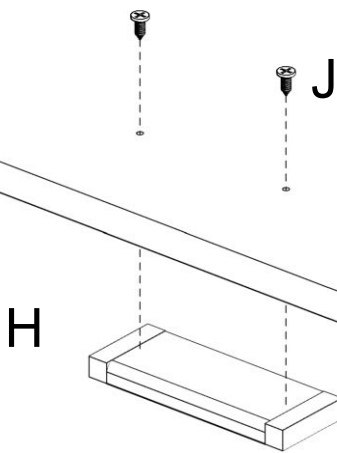
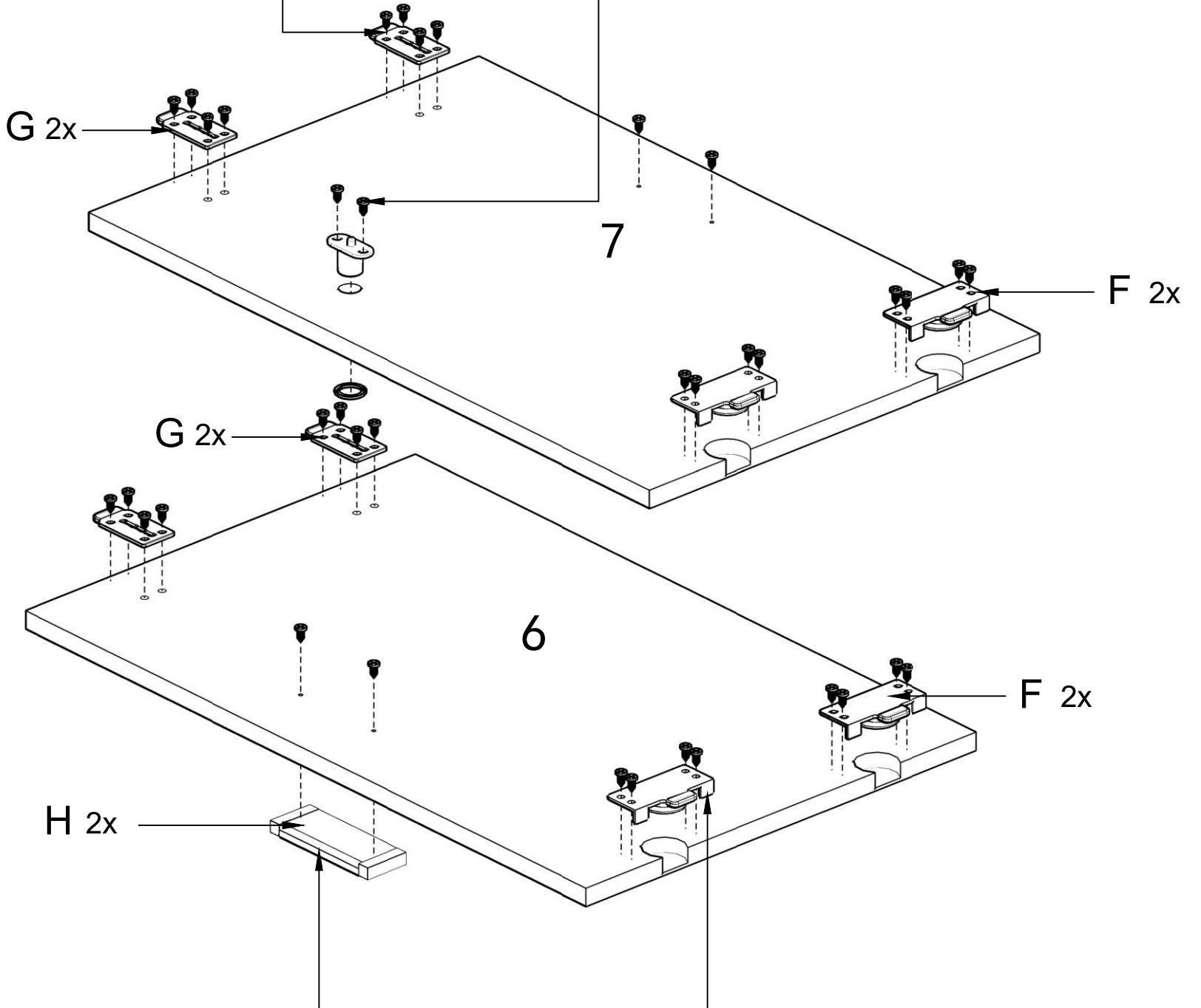
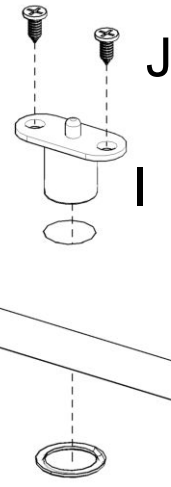
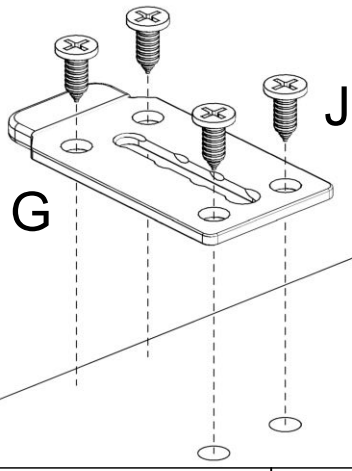
3

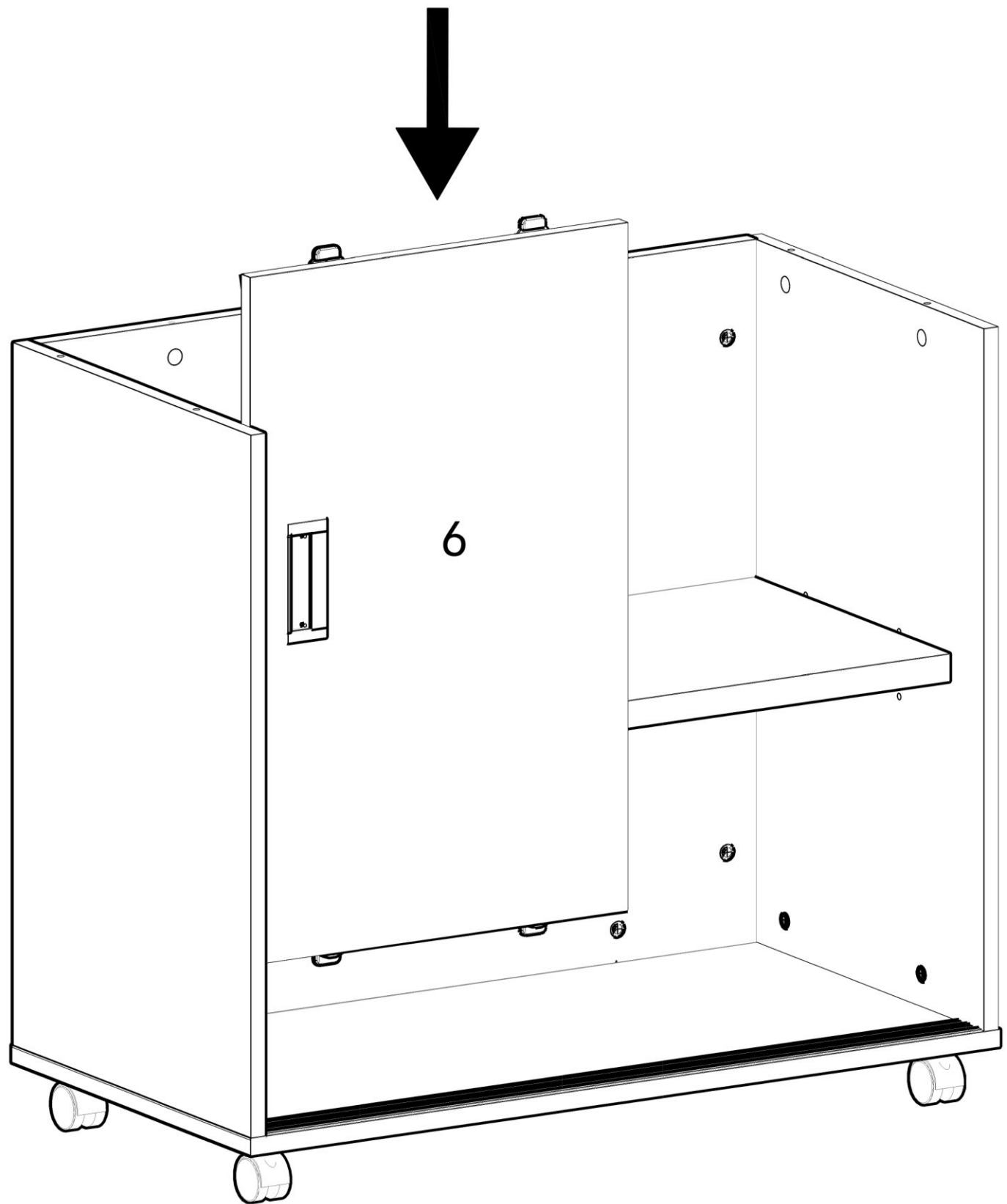


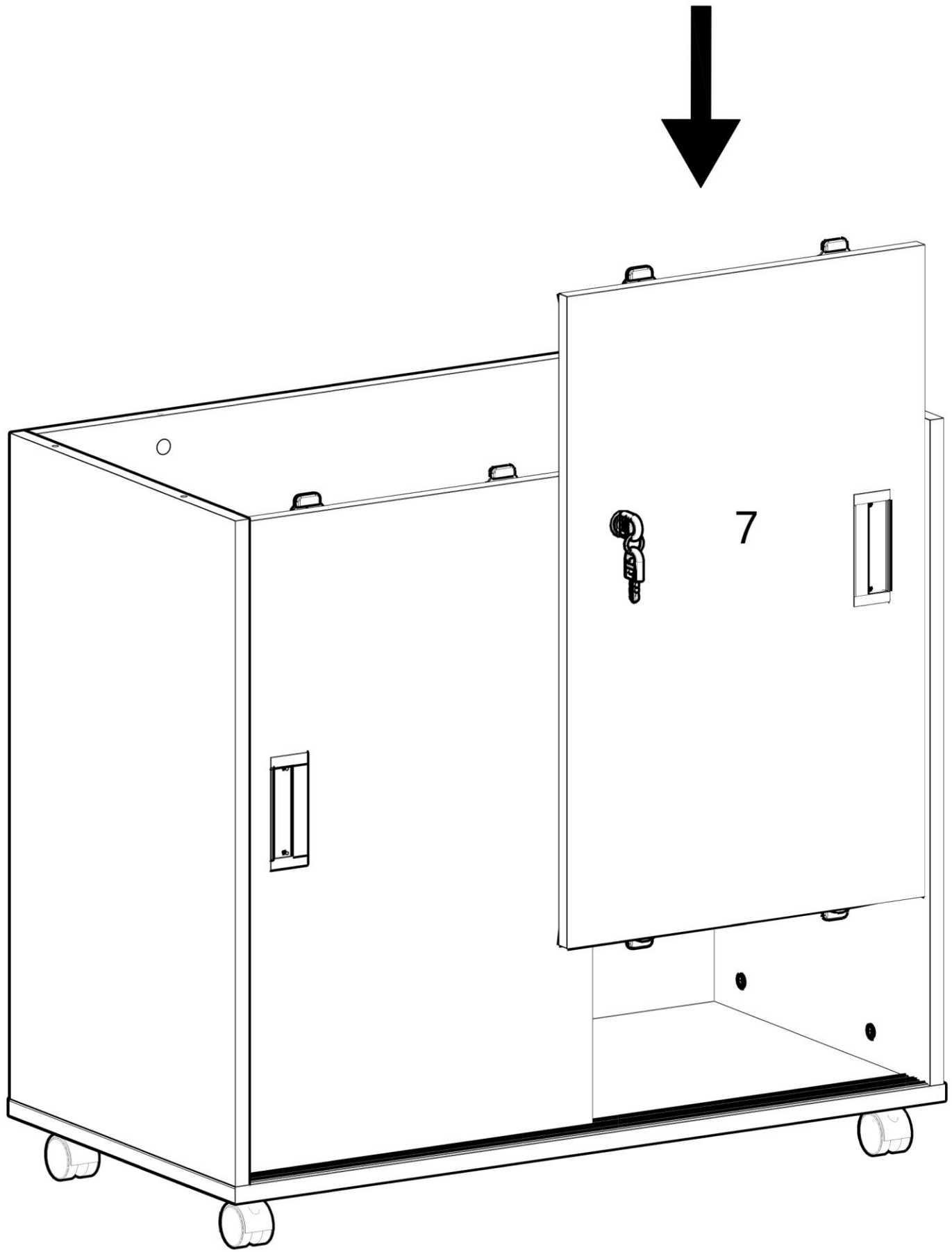


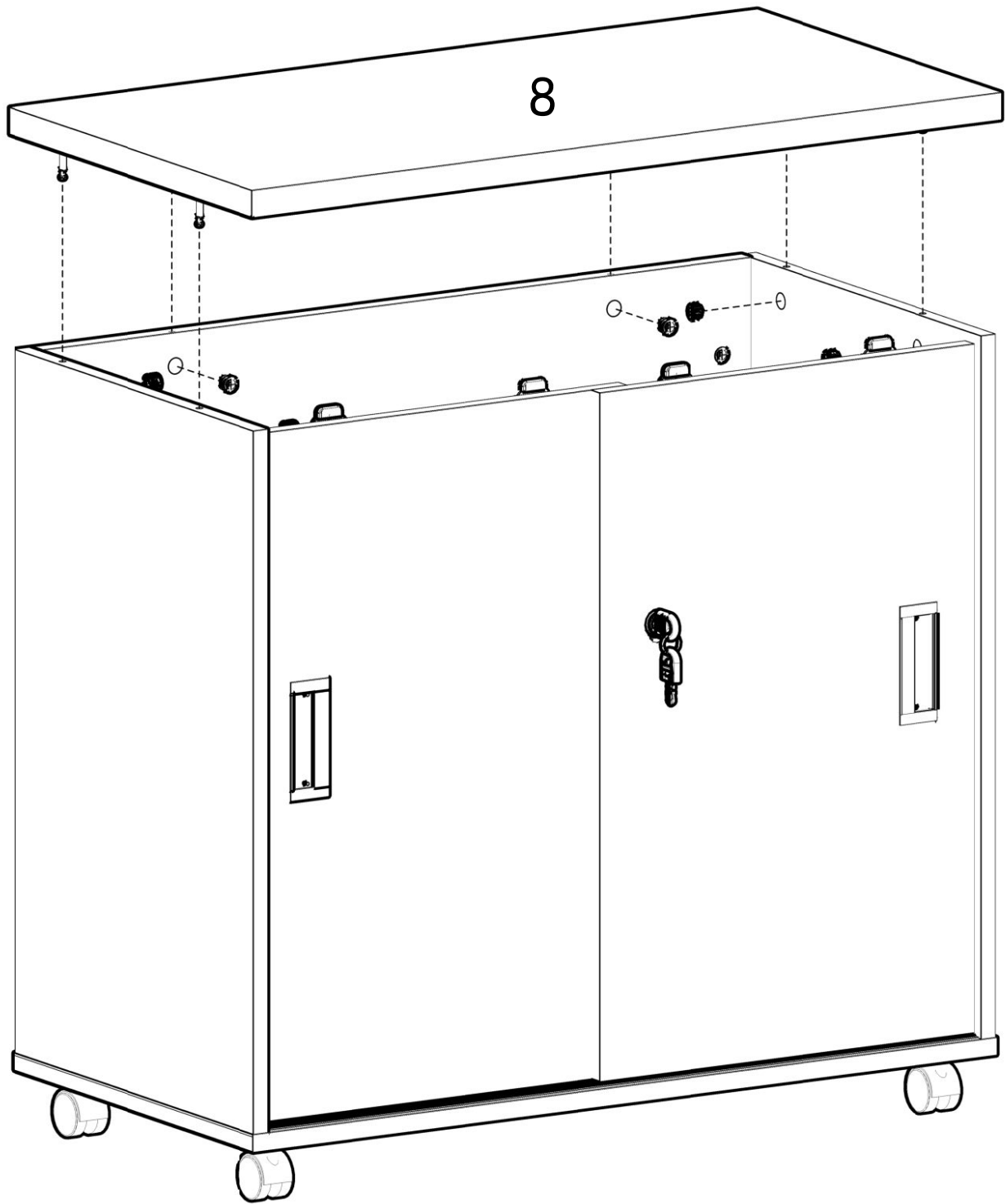
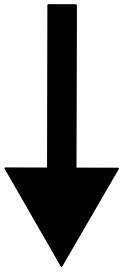


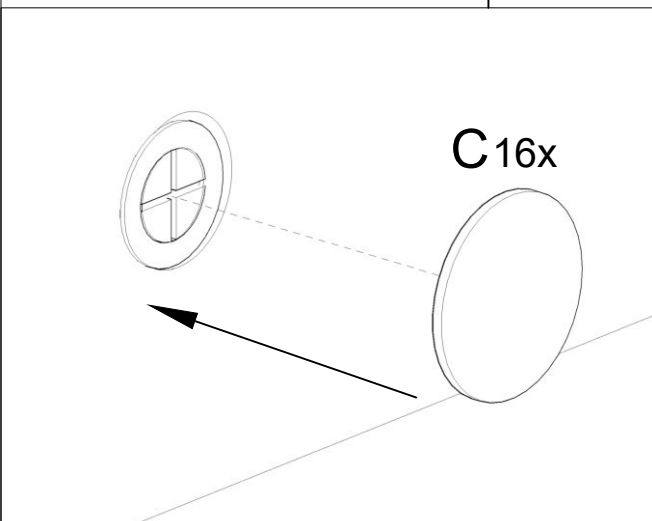
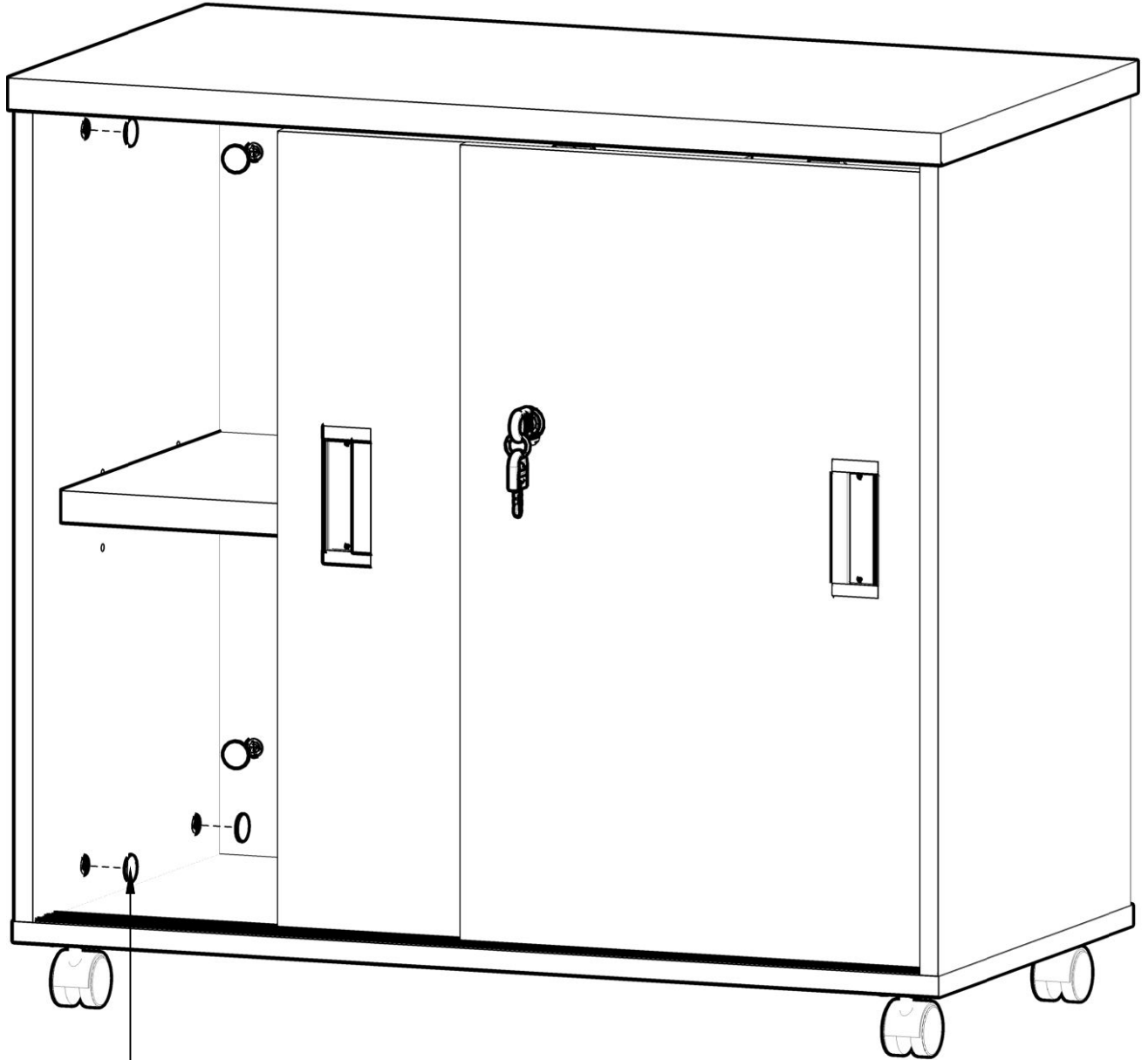
6

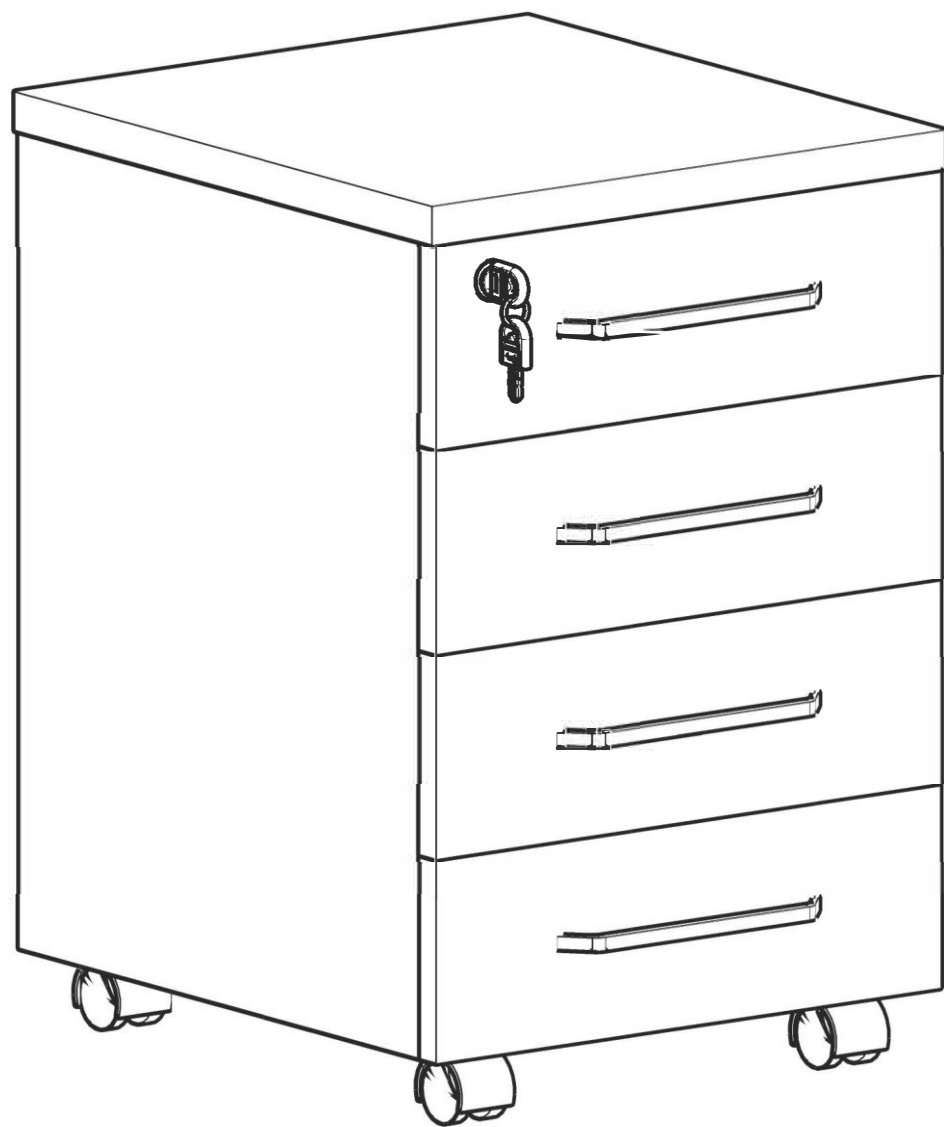



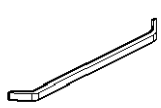
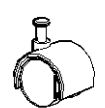



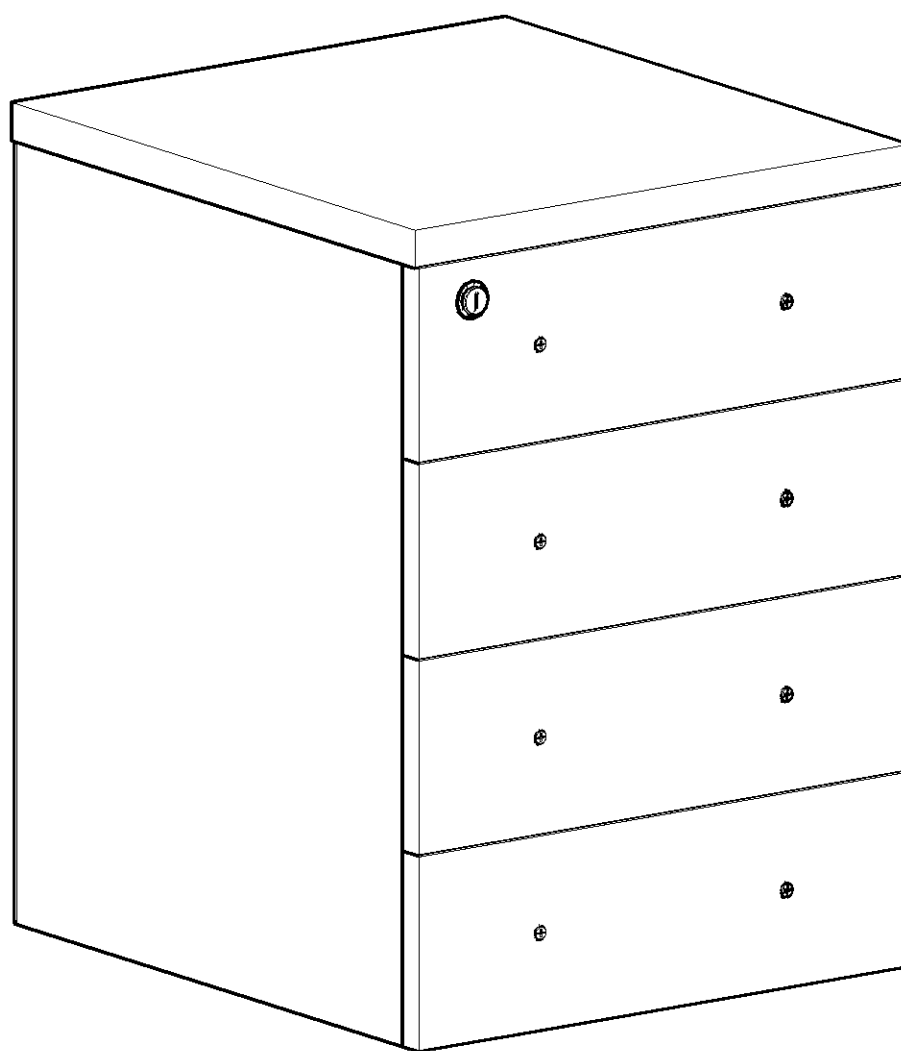


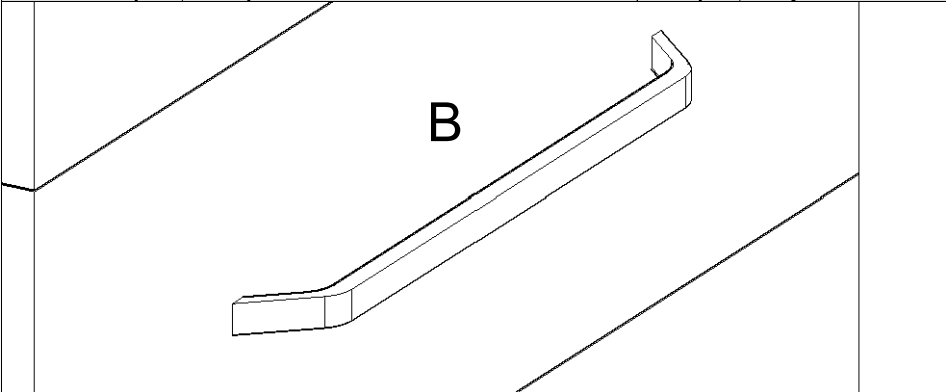
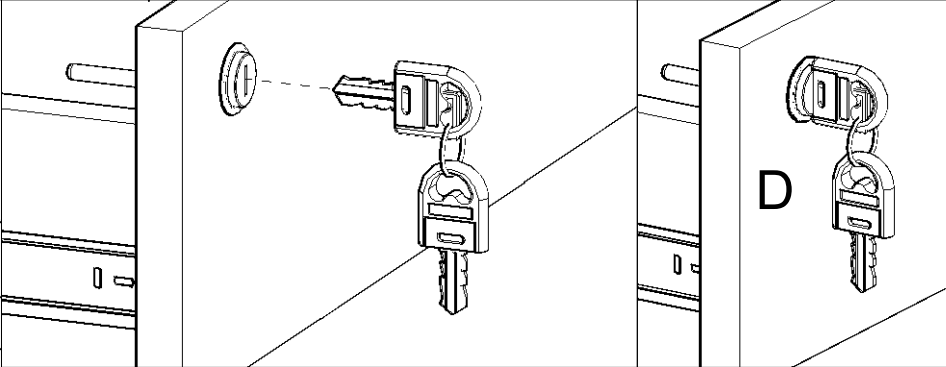
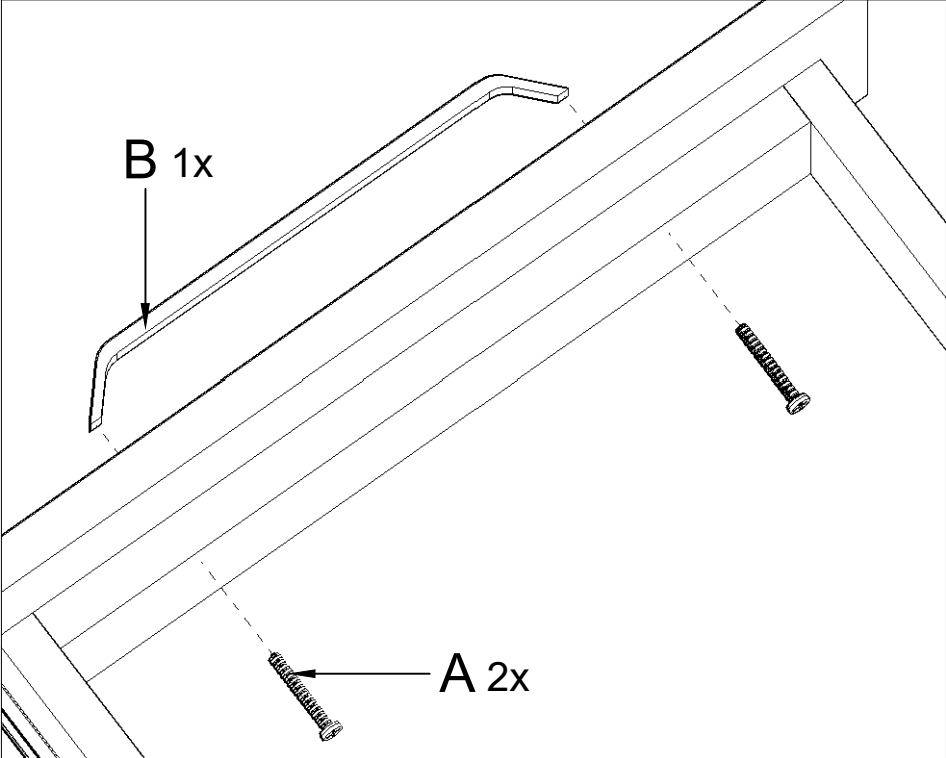
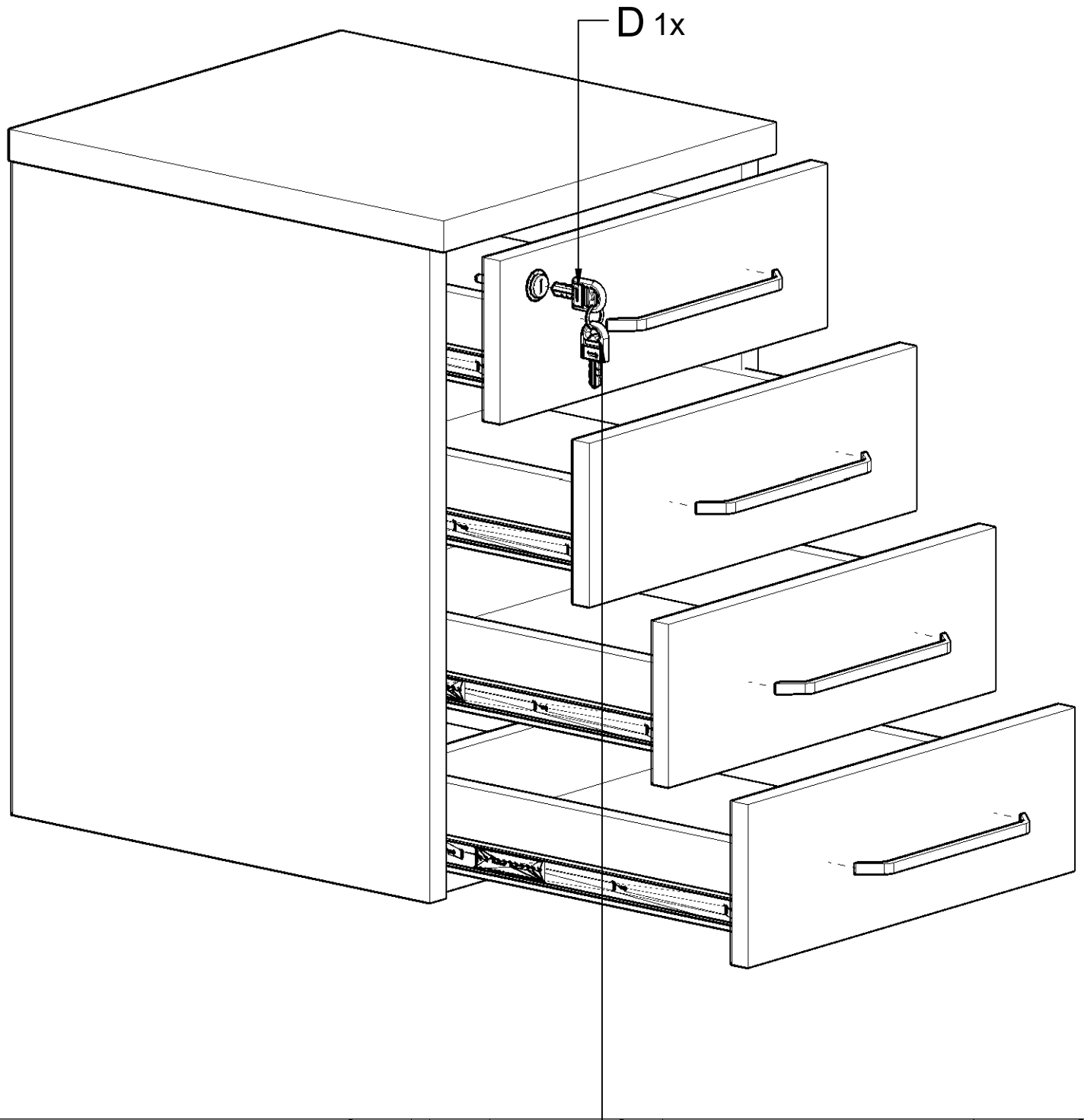




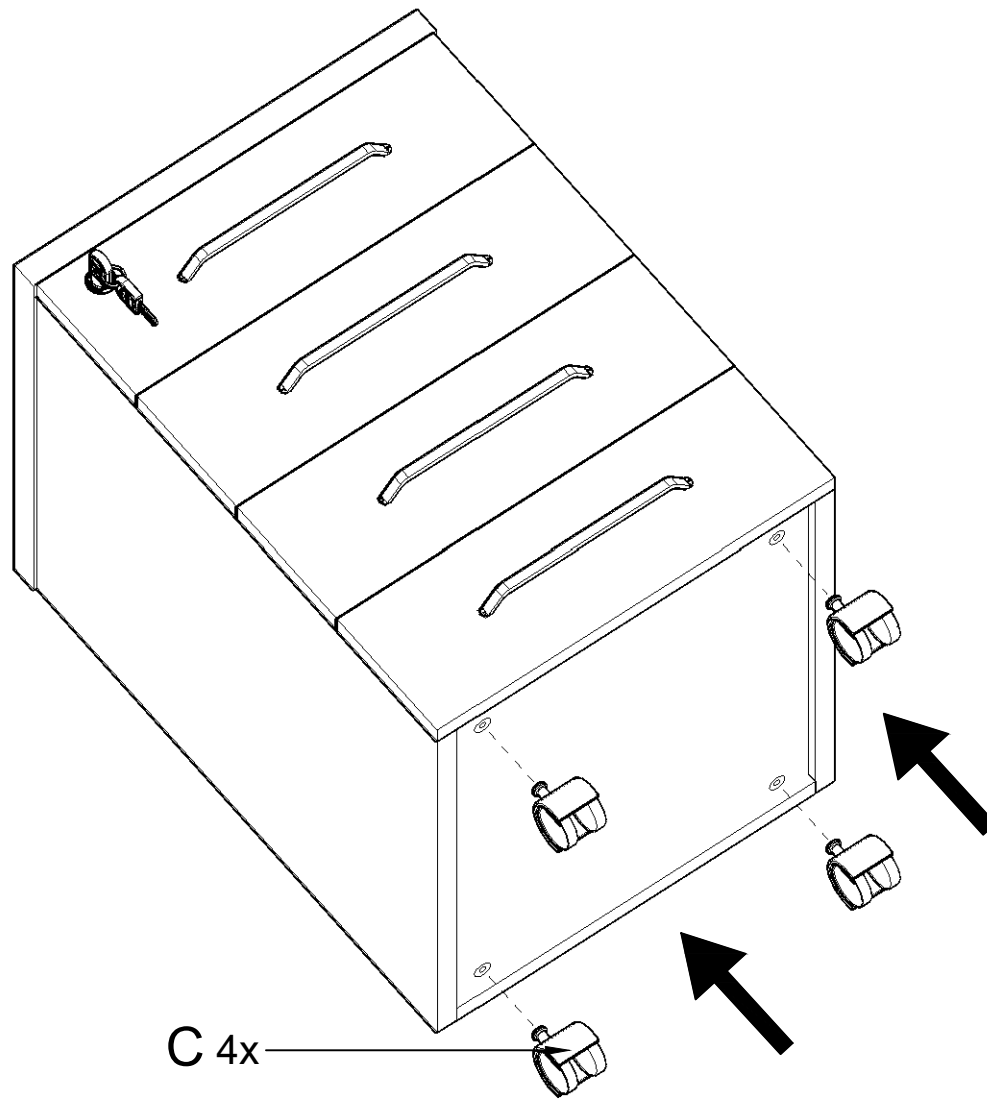


|                                                                                  |                                                                                   |                                                                                   |                                                                                   |
|----------------------------------------------------------------------------------|-----------------------------------------------------------------------------------|-----------------------------------------------------------------------------------|-----------------------------------------------------------------------------------|
|  |  |  |  |
| A                                                                                | B                                                                                 | C                                                                                 | D                                                                                 |
| 8x                                                                               | 4x                                                                                | 4x                                                                                | 1x                                                                                |

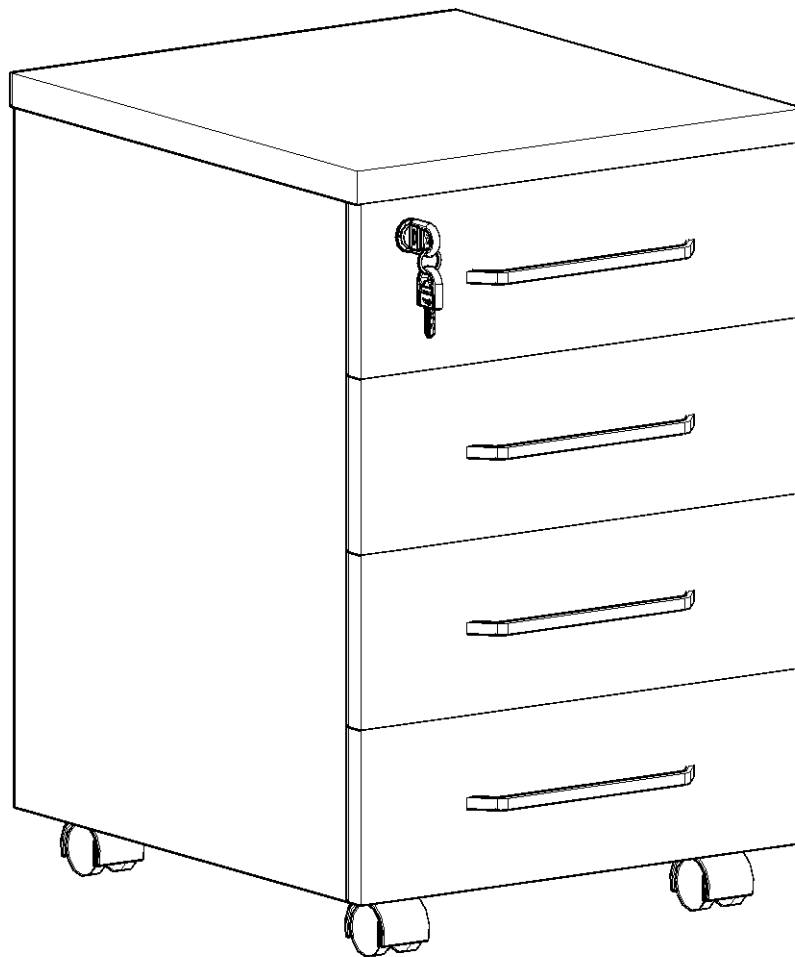


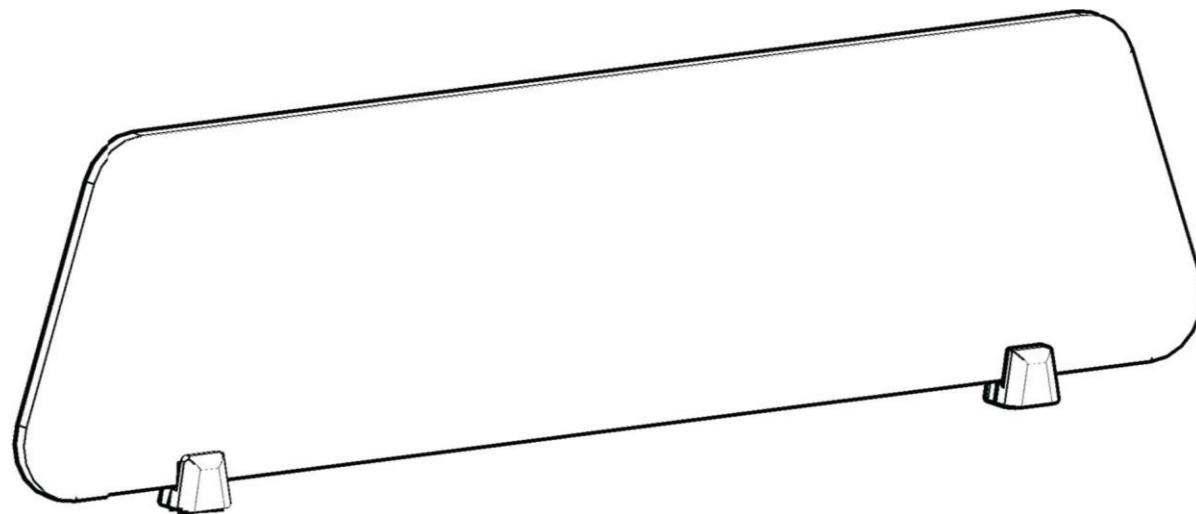





2



3

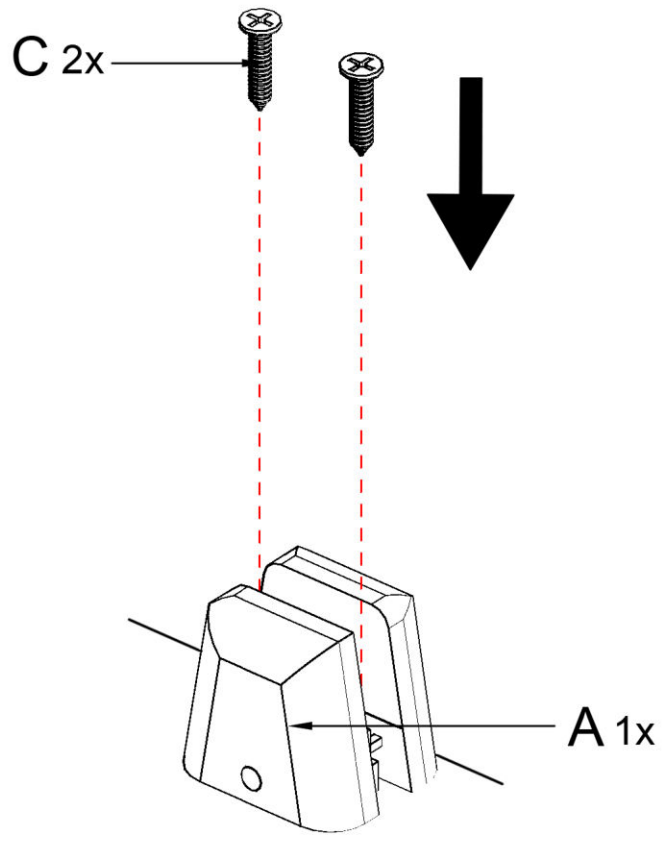




|                                                                                     |                                                                                     |                                                                                     |    |
|-------------------------------------------------------------------------------------|-------------------------------------------------------------------------------------|-------------------------------------------------------------------------------------|----|
|  |  |  |    |
|                                                                                     | 6X20mm                                                                              | 4X35mm                                                                              |    |
| A                                                                                   | 2x                                                                                  | C                                                                                   | 4x |



1



2

