




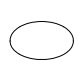




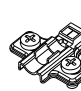
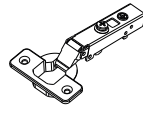


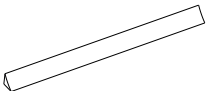
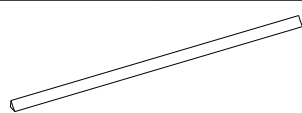
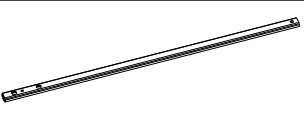
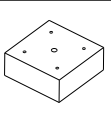

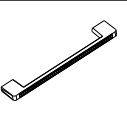
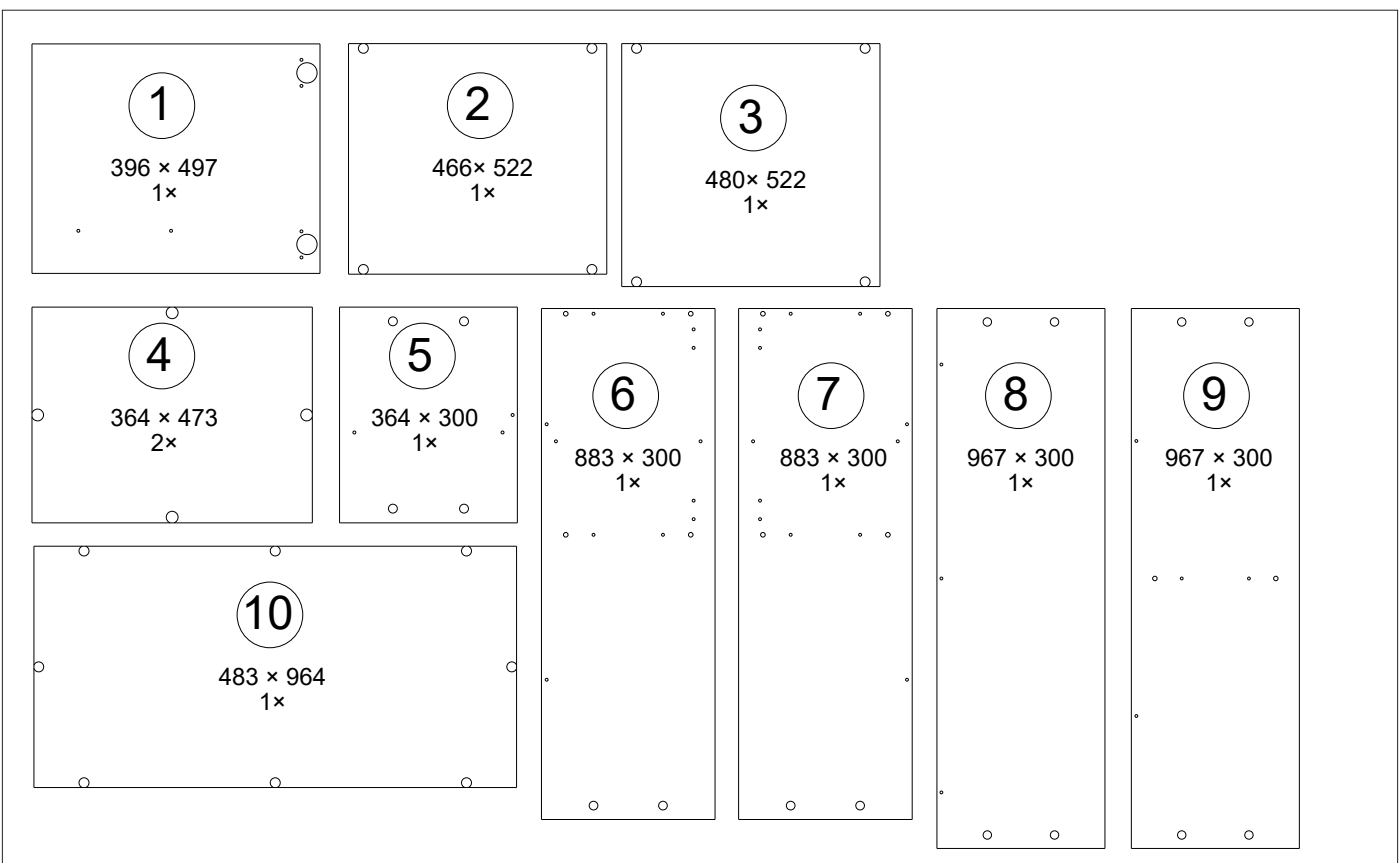
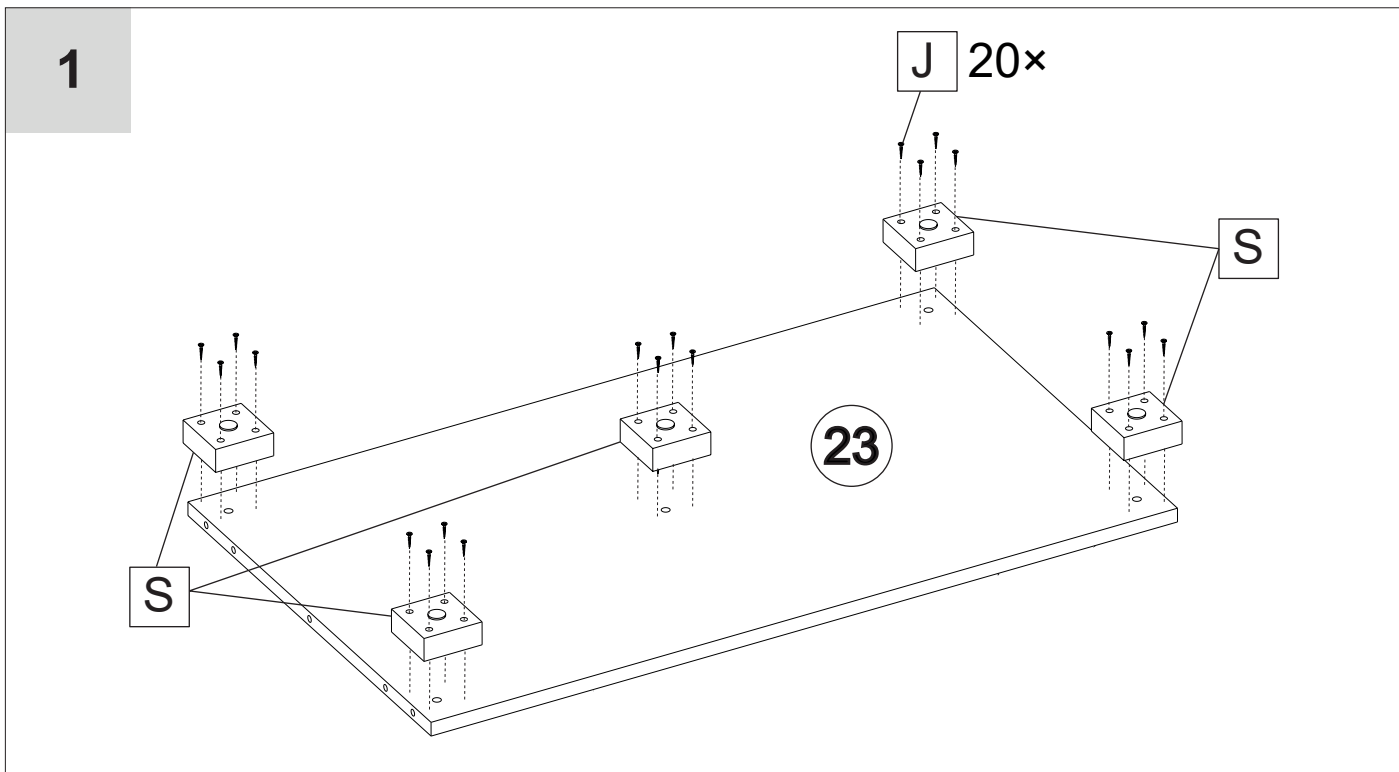
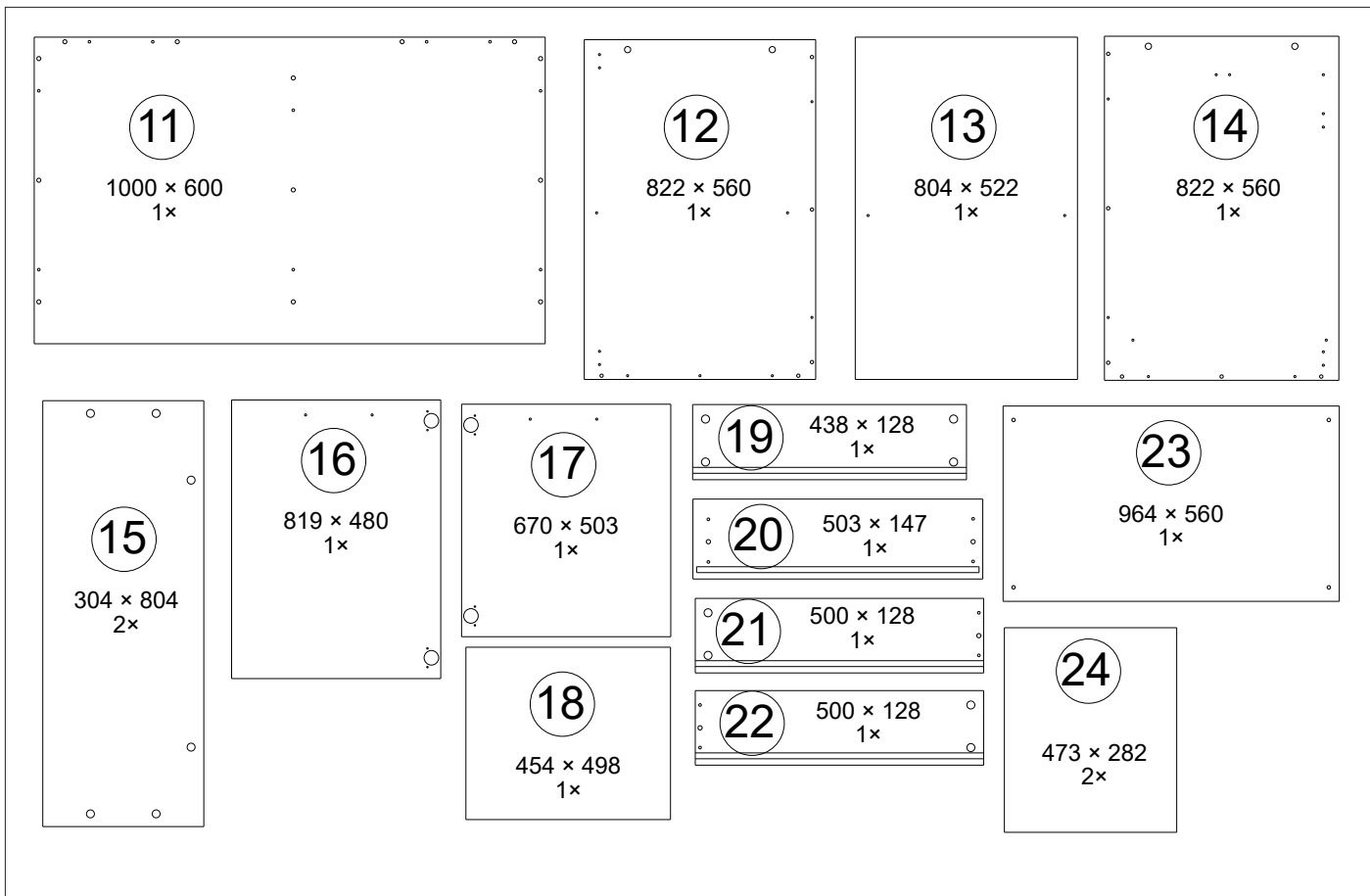
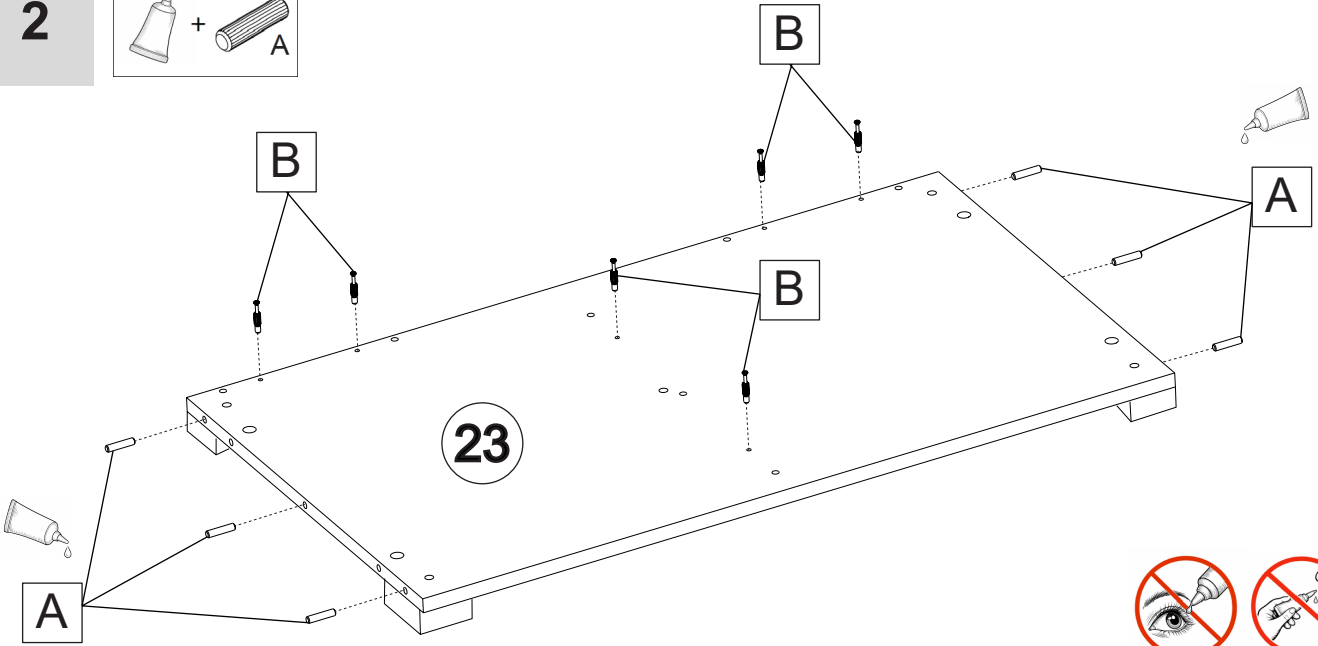
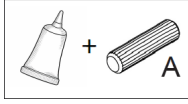
 Ø8 × 35	 48×	 48×	 24×	 24×	 Ø6 × 13	 48×	 Ø3,5 × 16
A 52×	B 48×	C 48×	D 24×	E 24×	F 8×	G 48×	H 12×
 Ø4 × 9	 Ø3,5 × 20	 Ø4 × 25	 6×	 6×	 2×	 2×	 2×
I 2×	J 20×	K 8×	L 6×	M 6×	N 2×	O 2×	P 2×
 1×	 2×	 5×	 8×	 4×			
Q 1×	R 2×	S 5×	T 8×	U 4×			

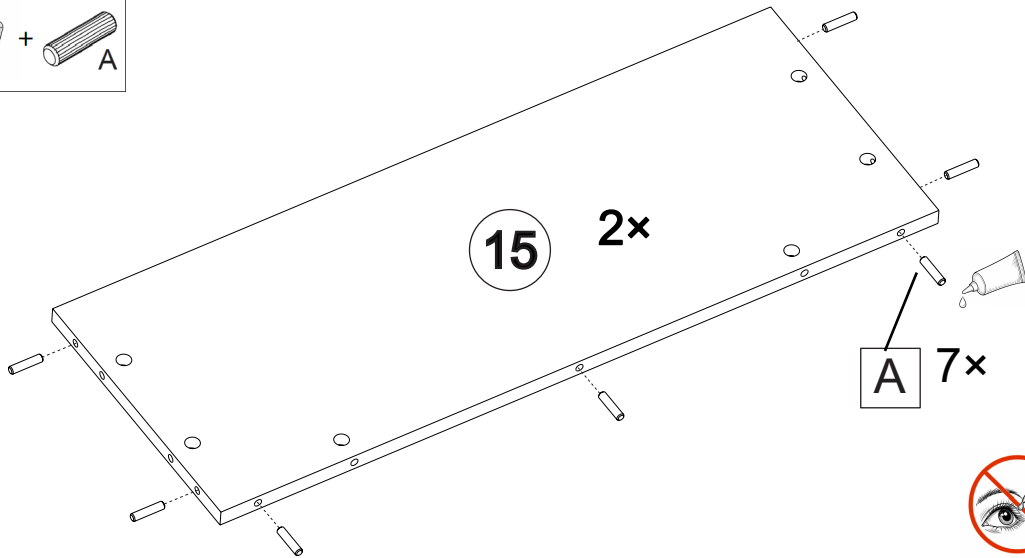
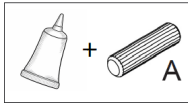




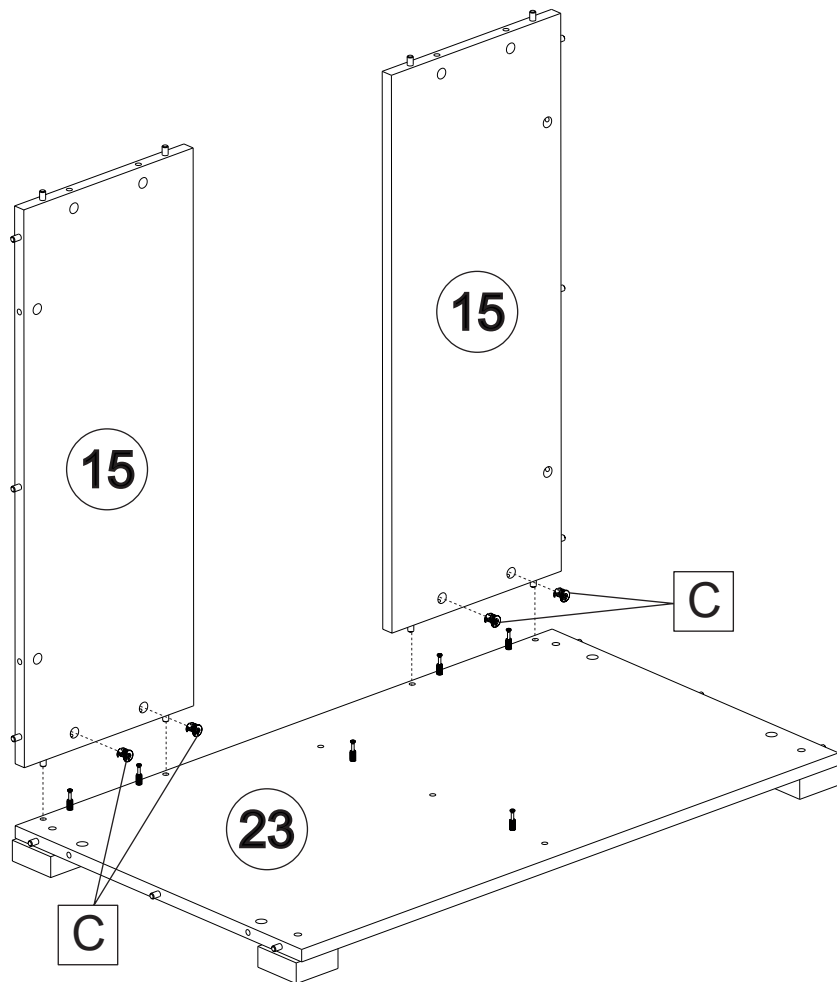
2



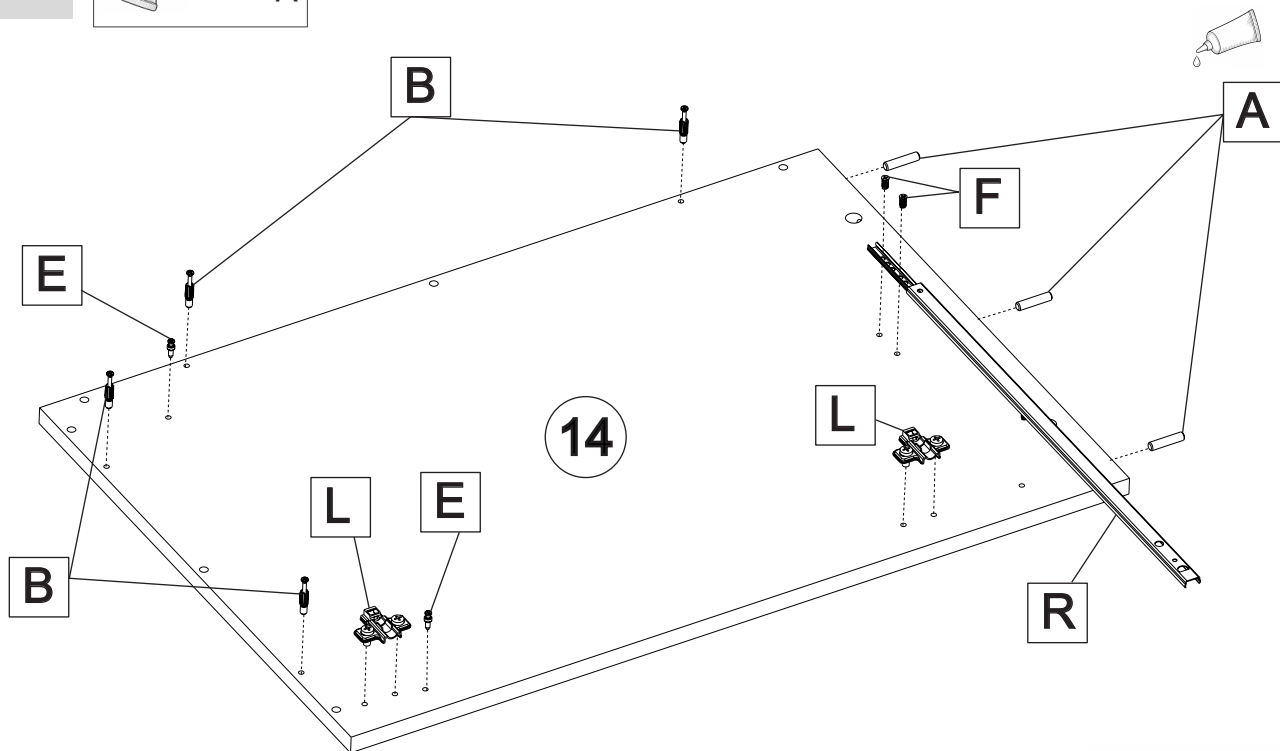
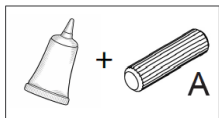
3



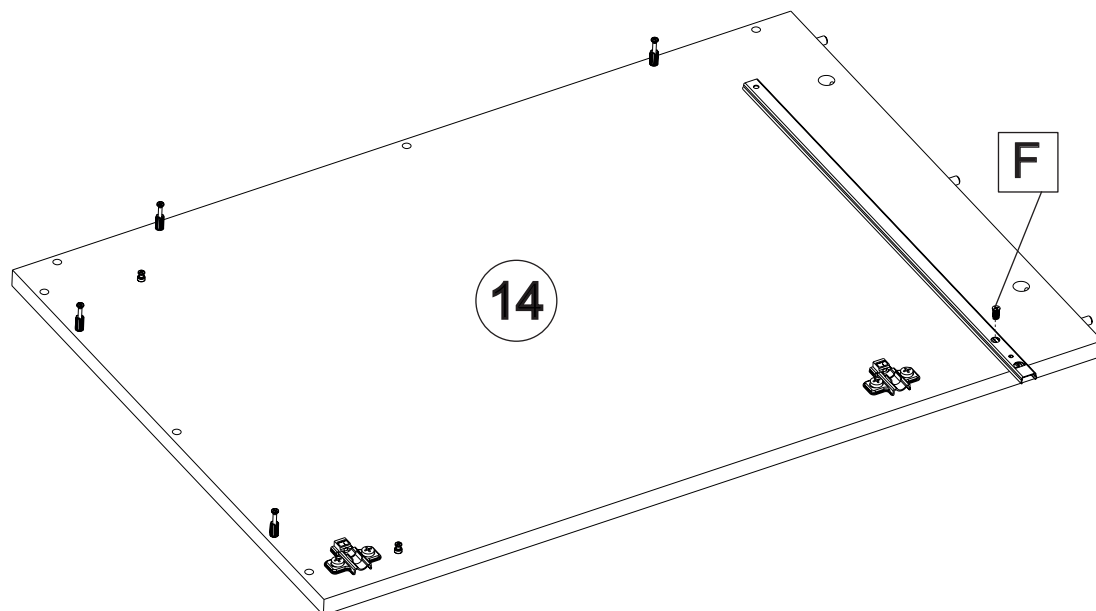
4



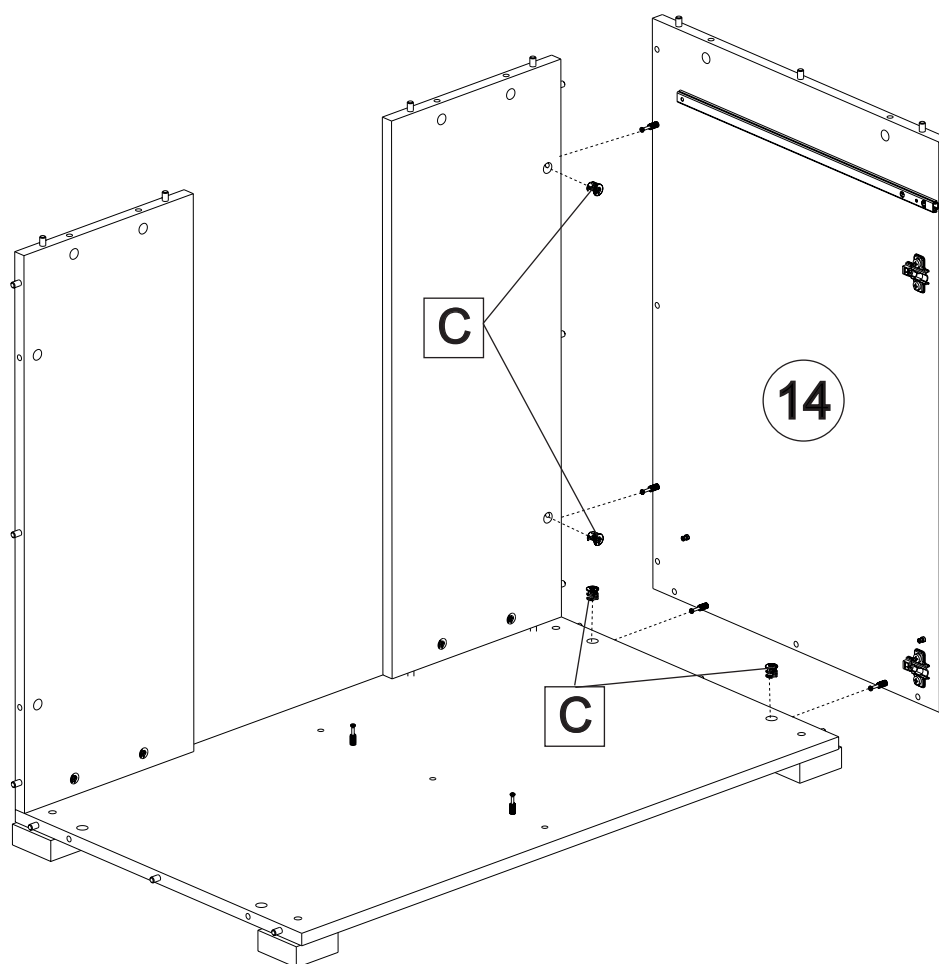
5



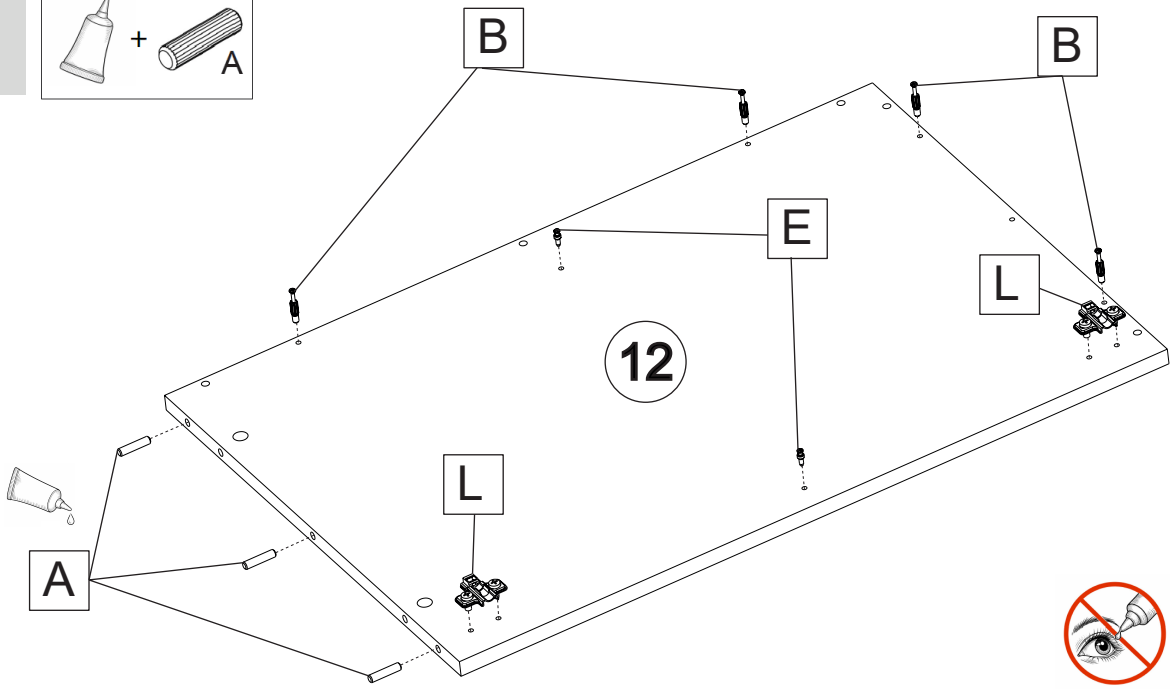
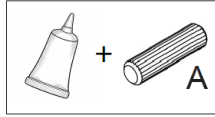
6



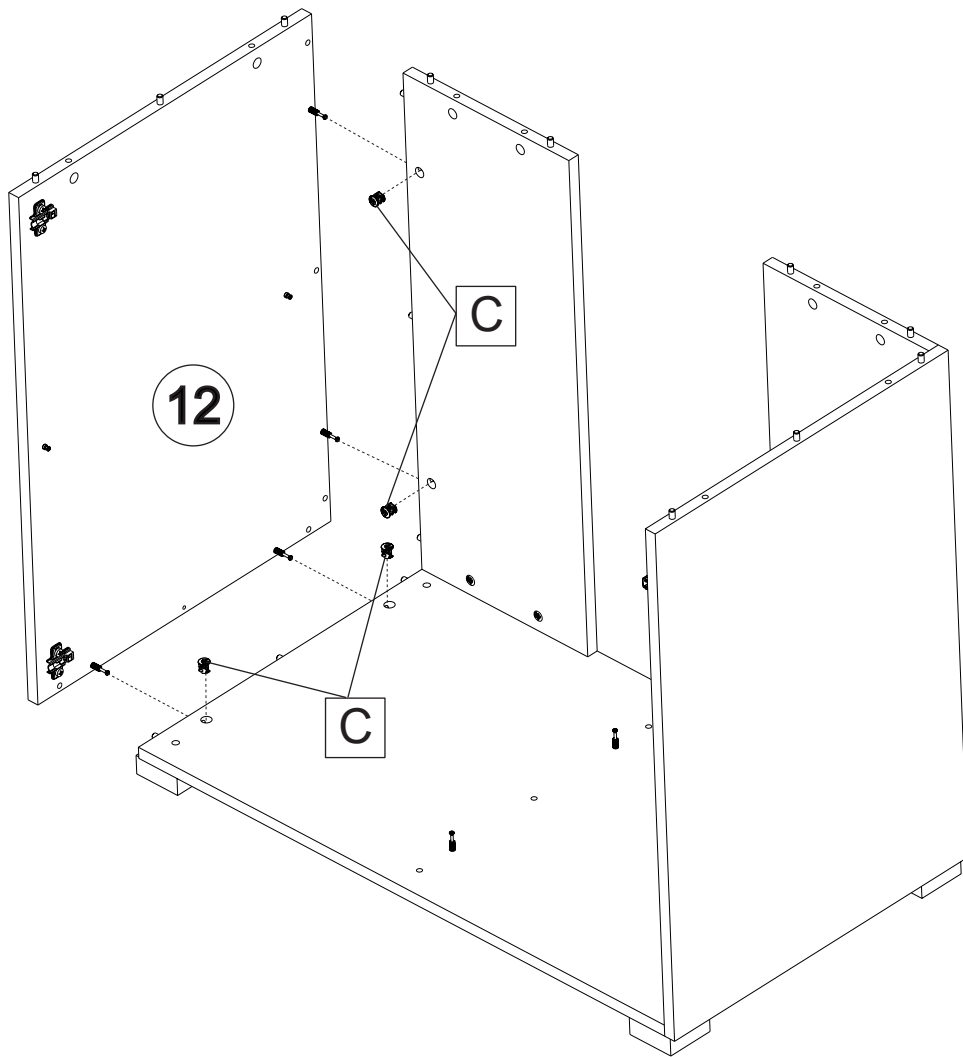
7



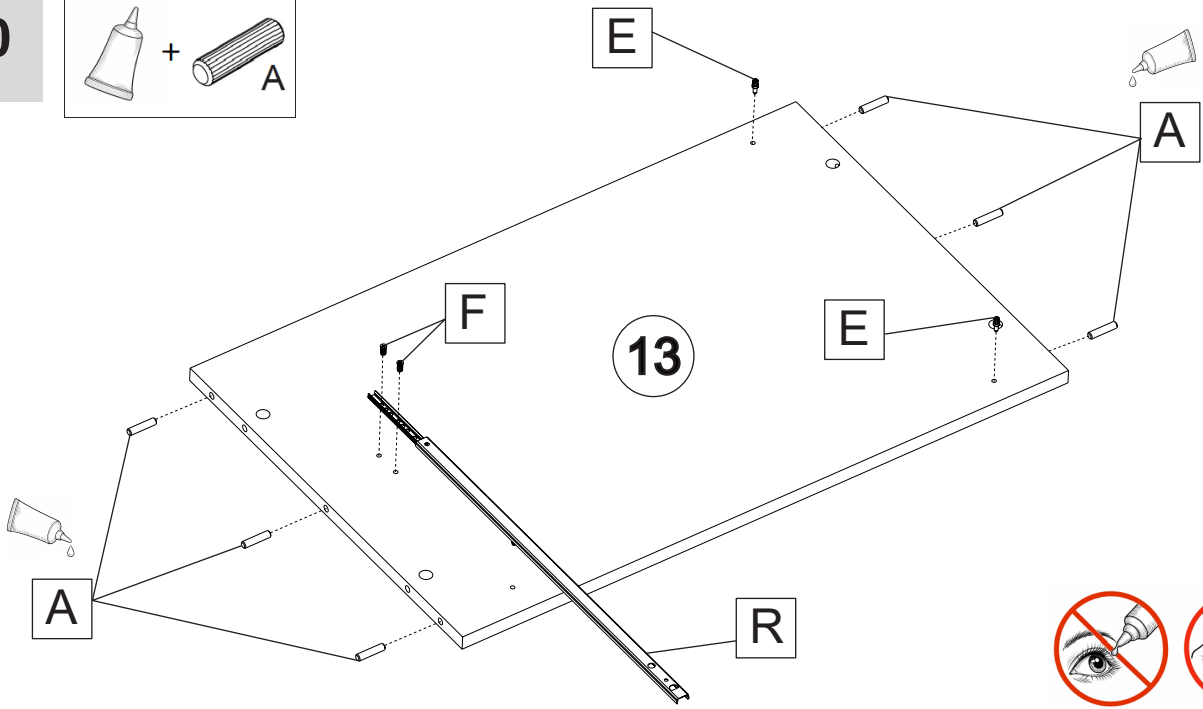
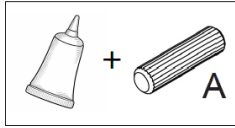
8



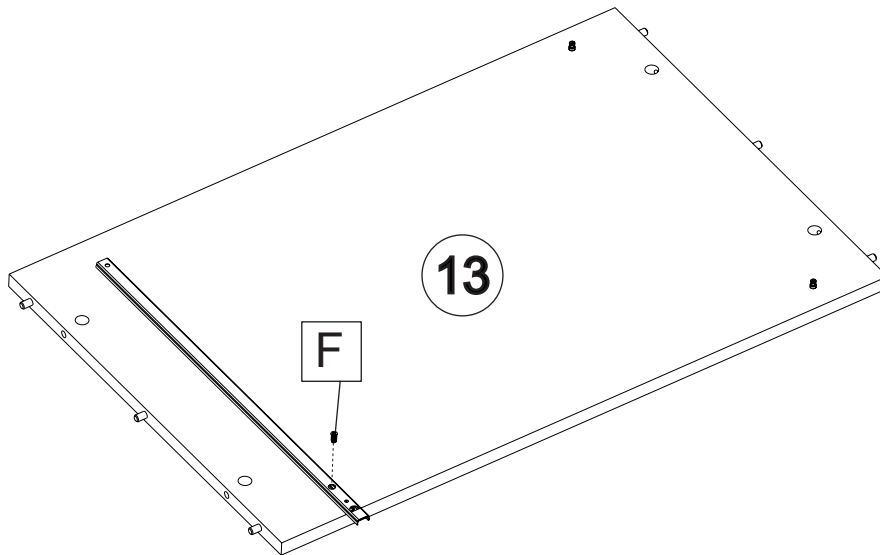
9



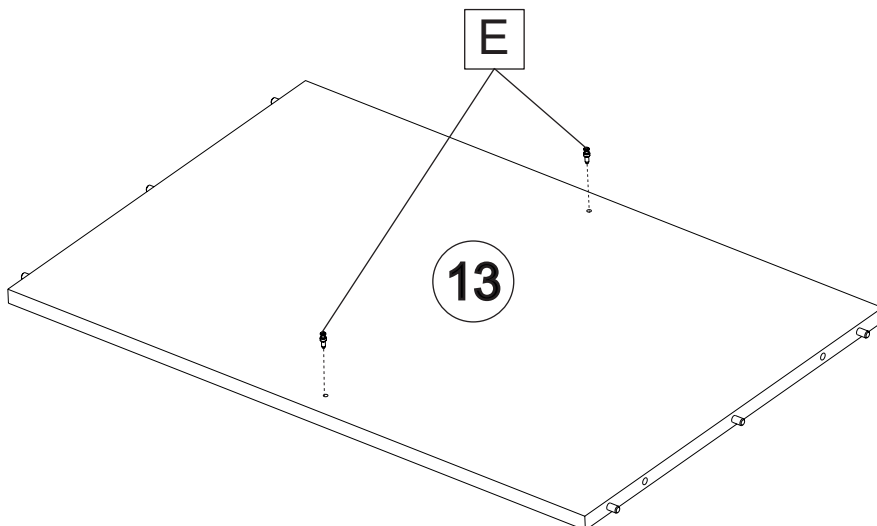
10



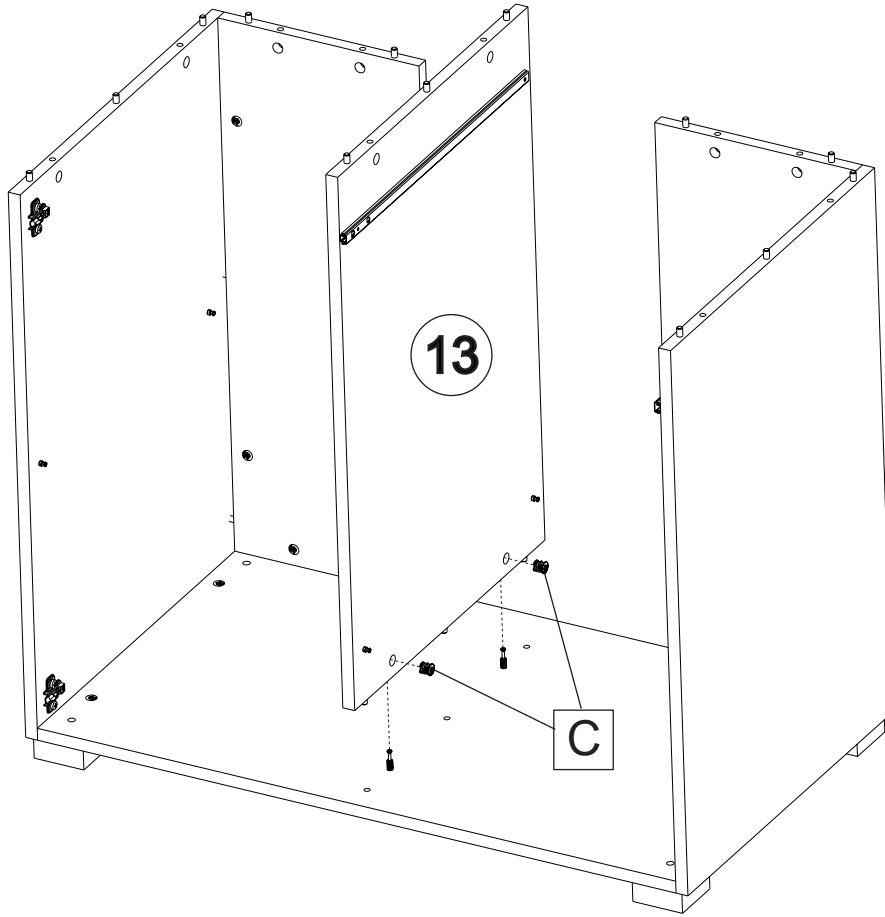
11



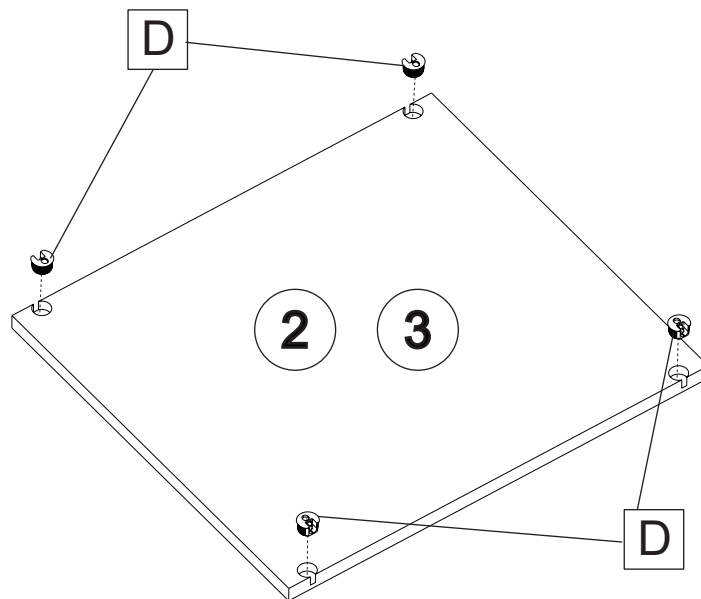
12



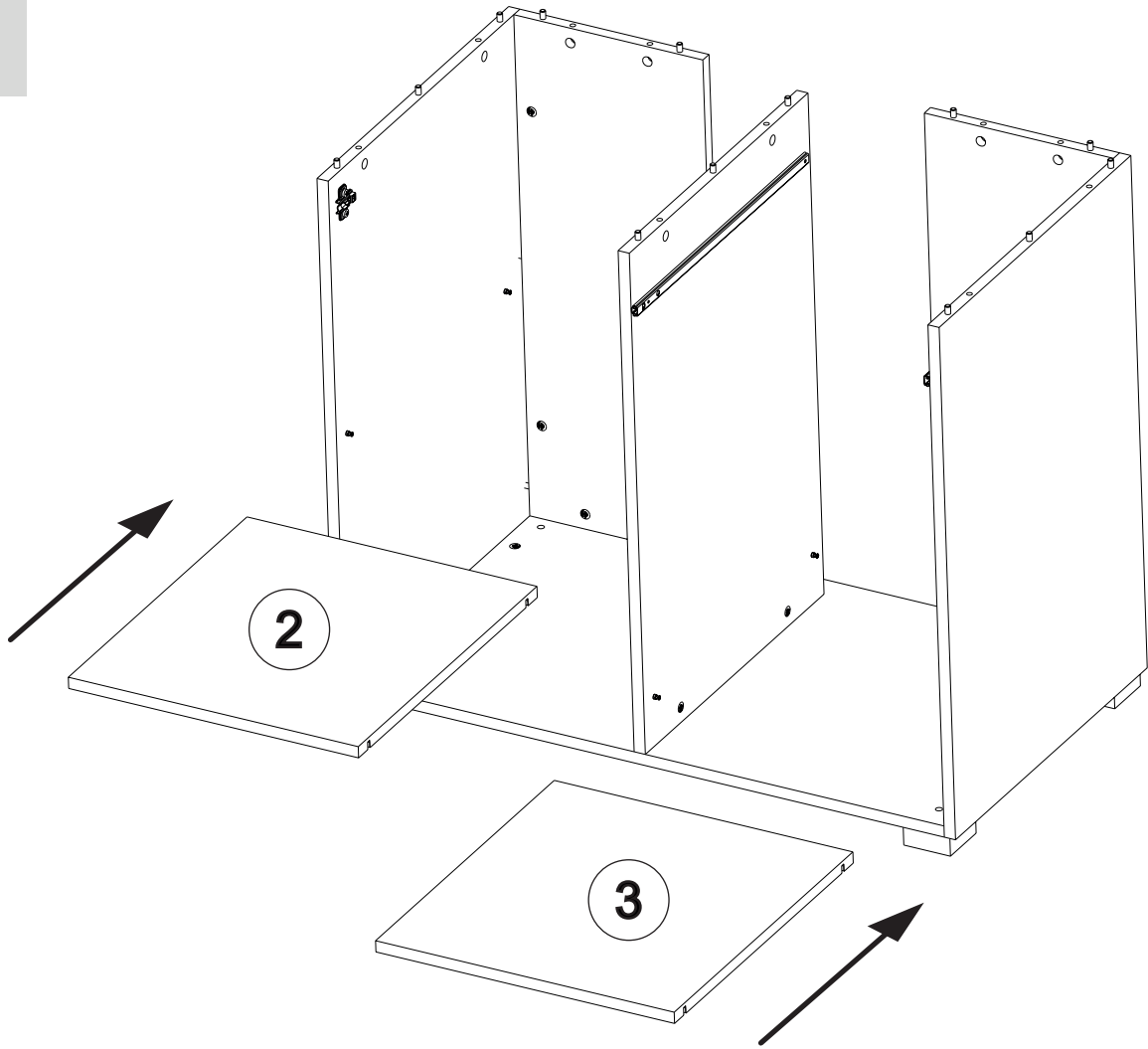
13



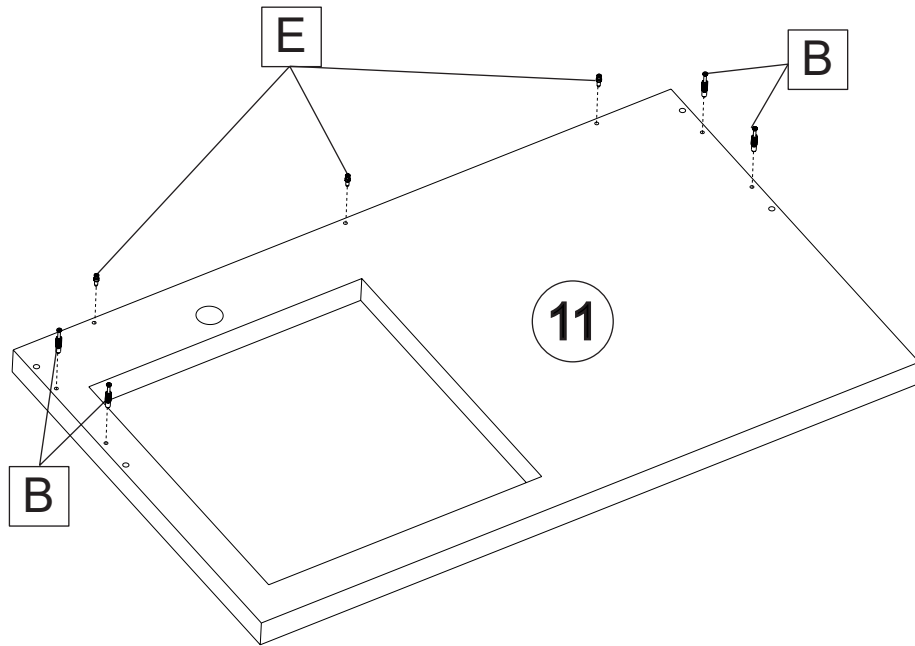
14



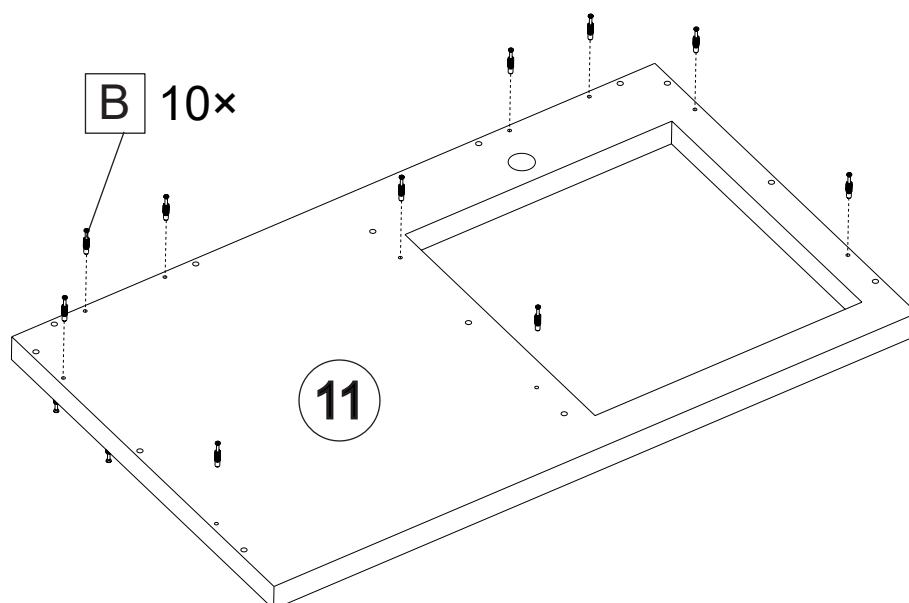
15



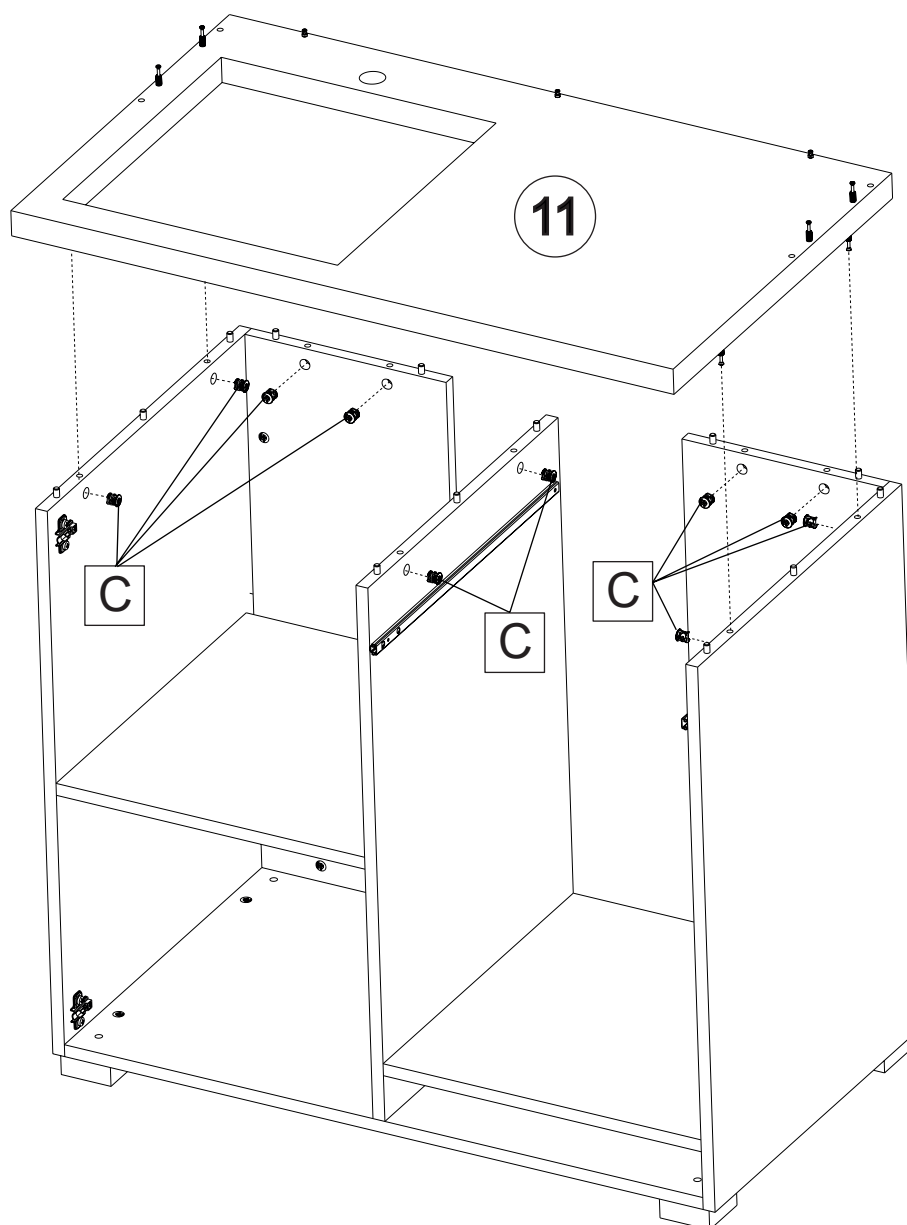
16



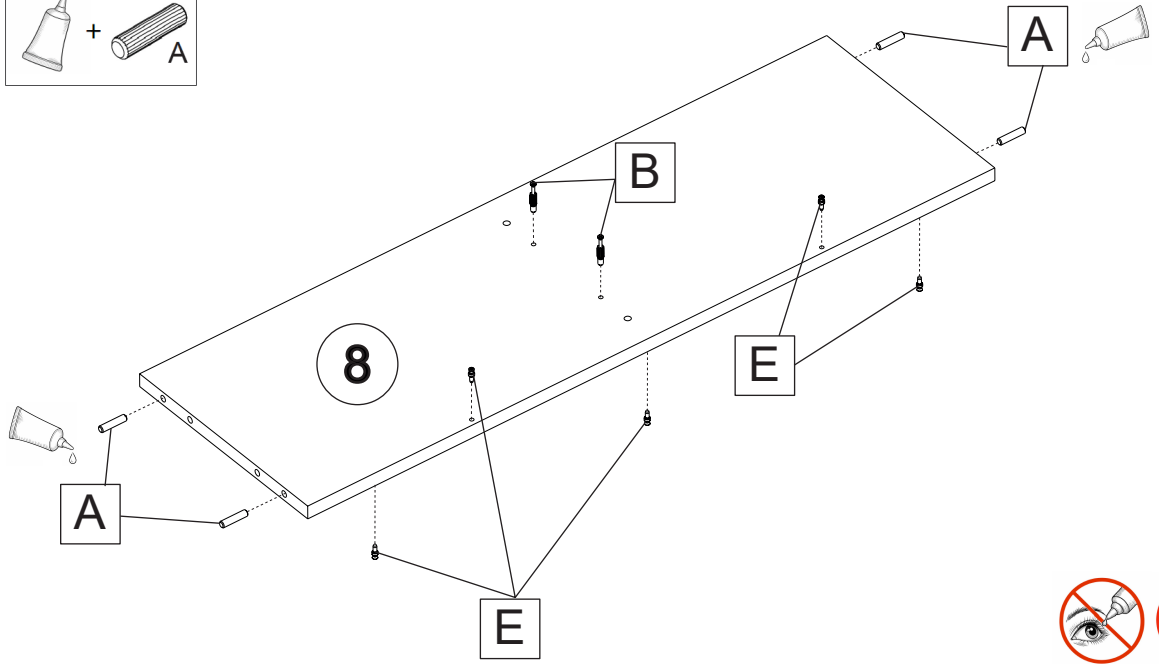
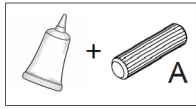
17



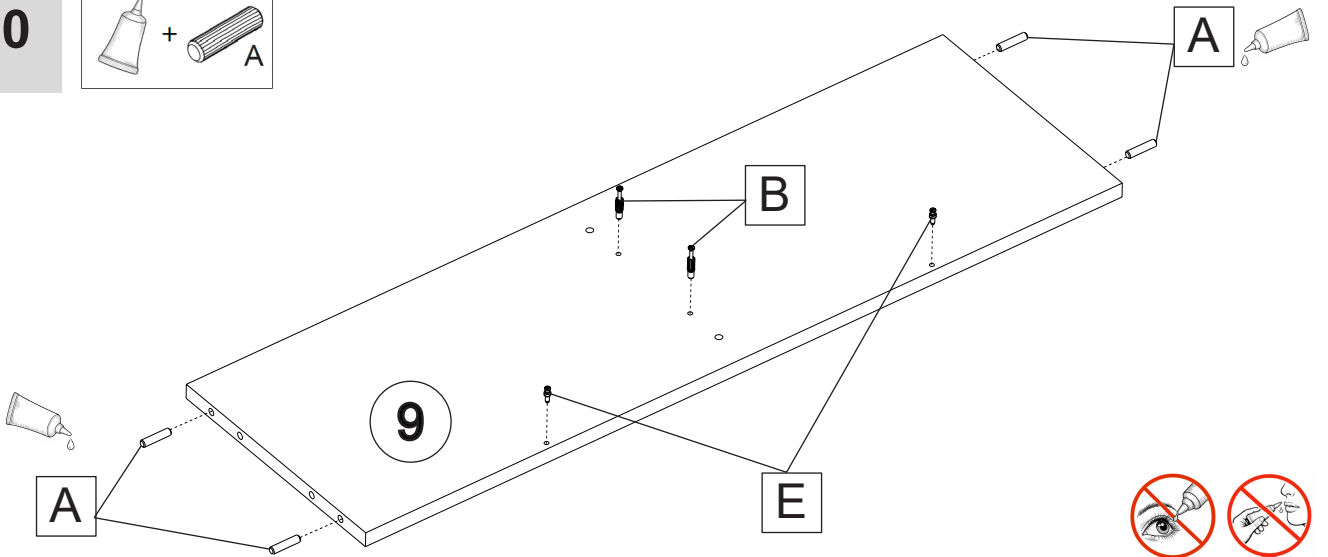
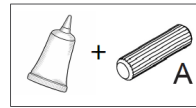
18



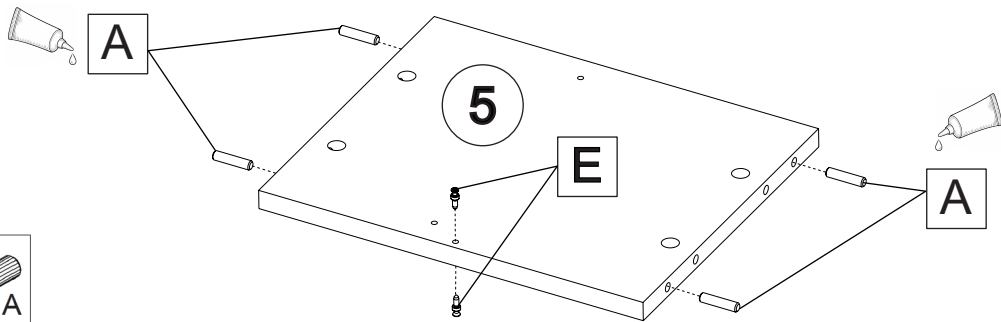
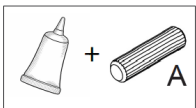
19



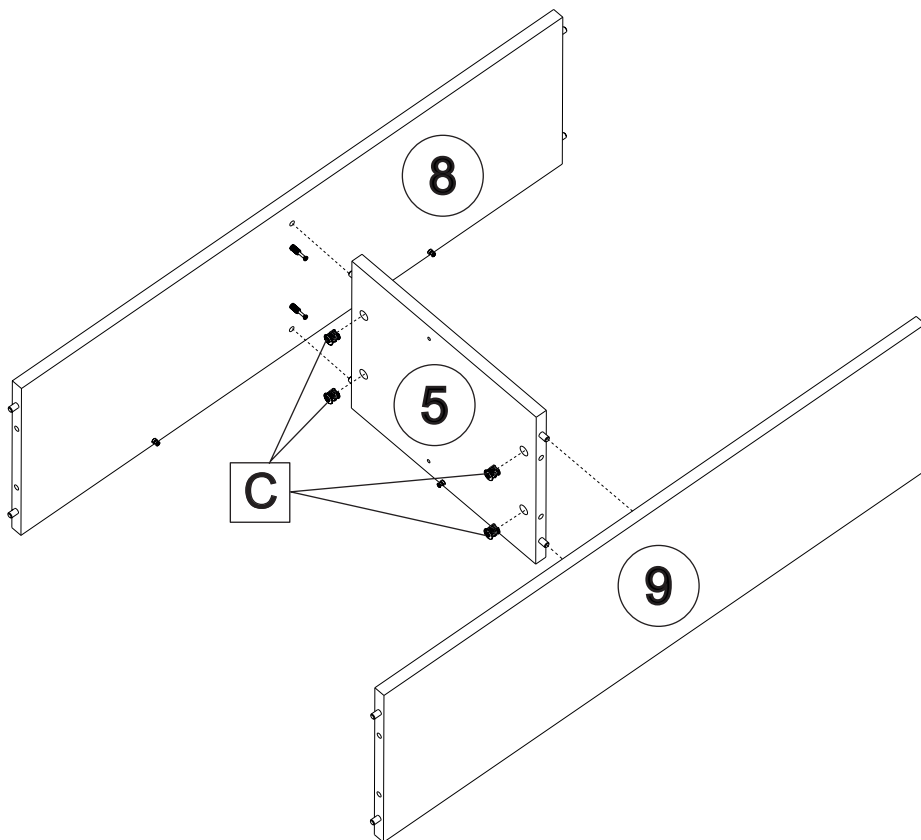
20



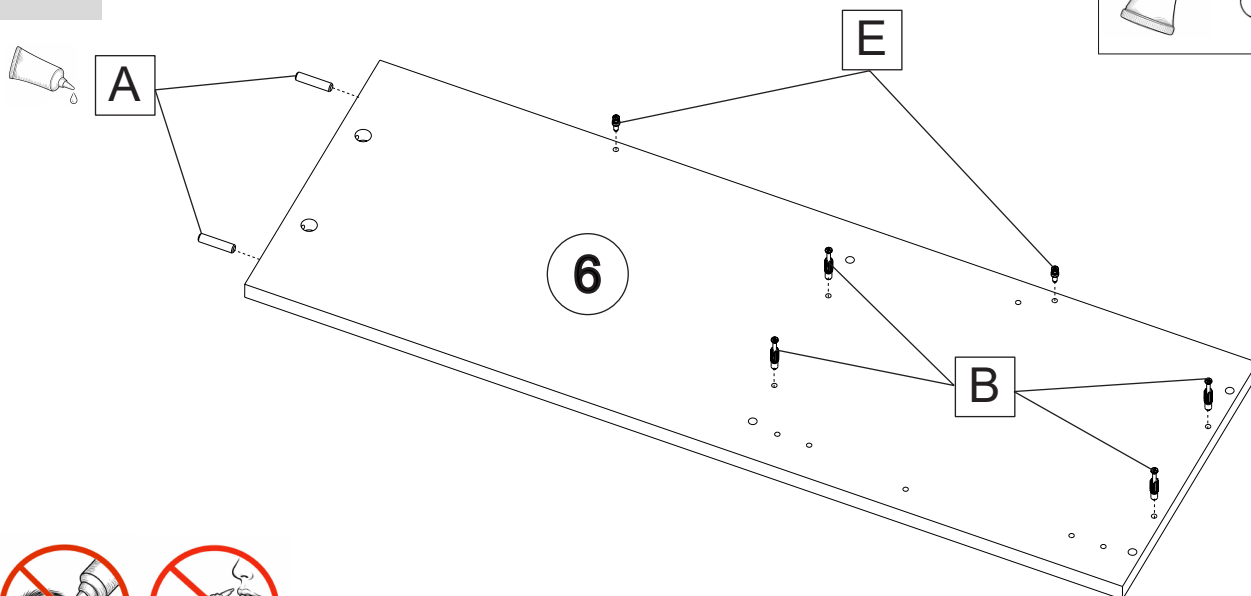
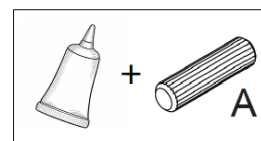
21



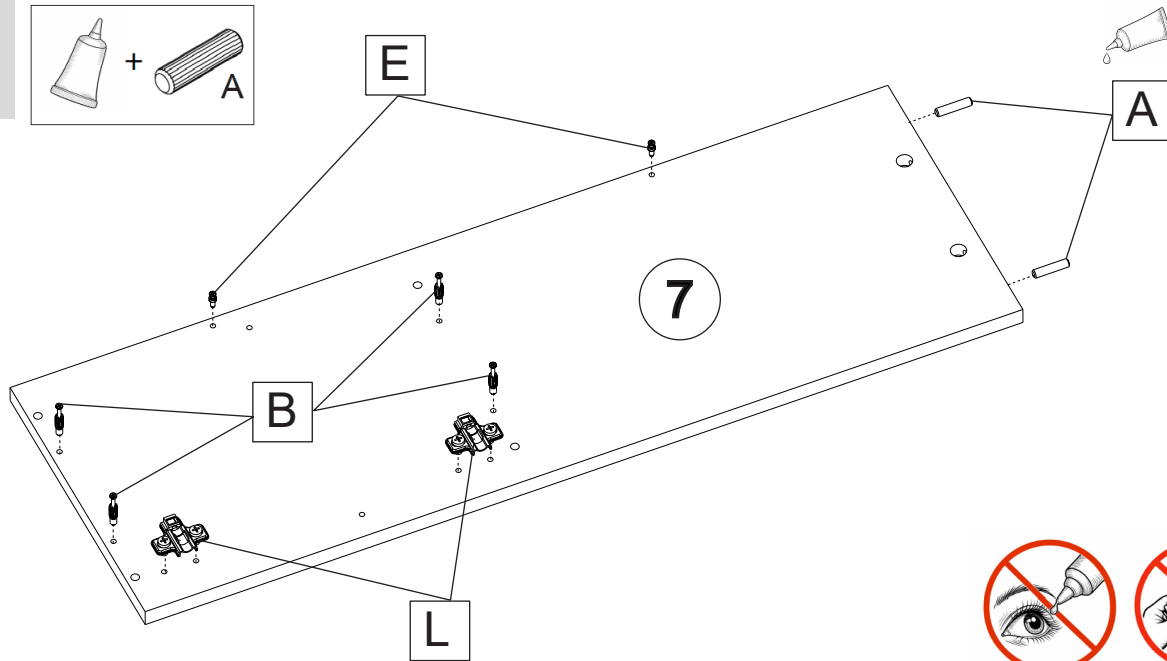
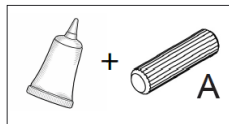
22



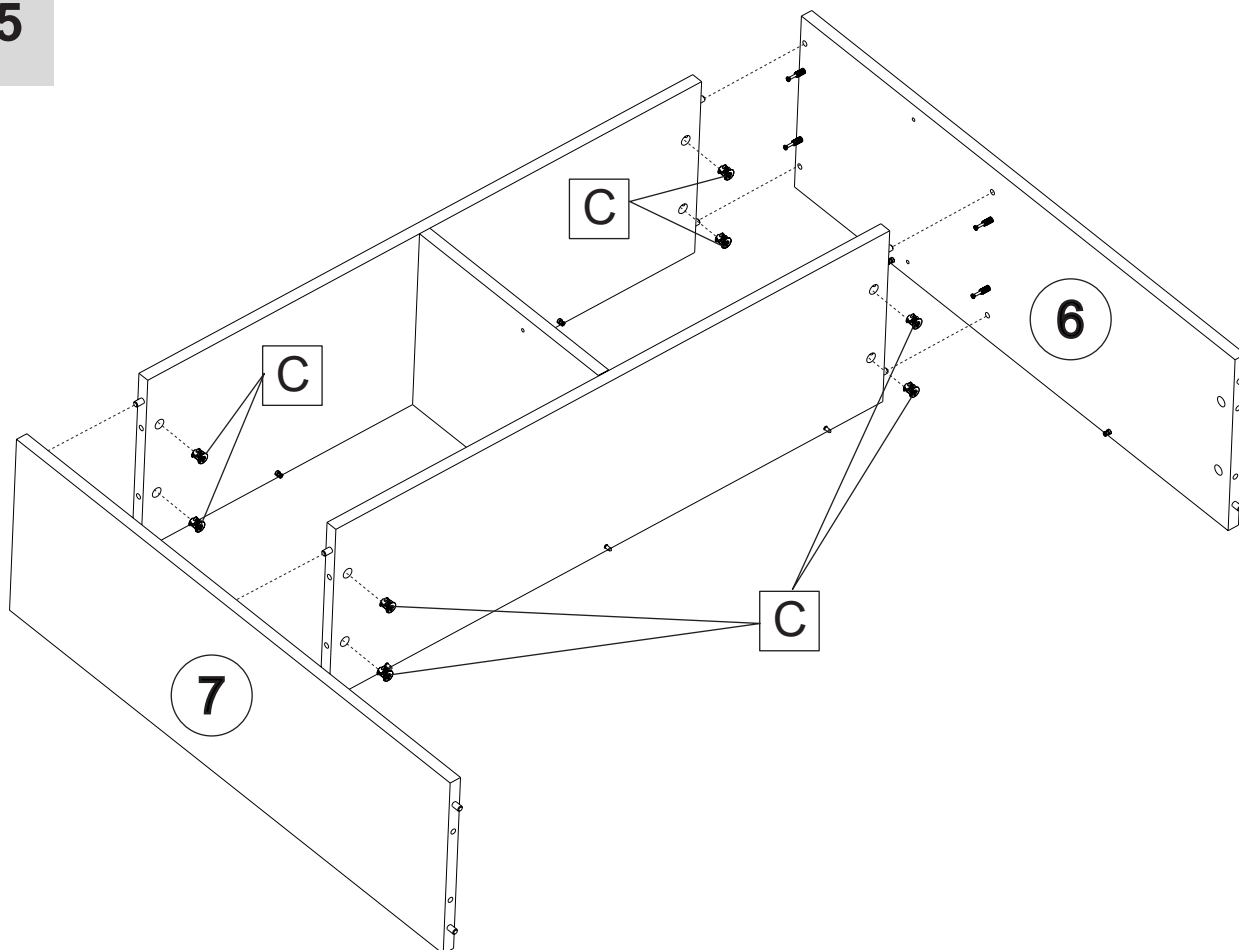
23



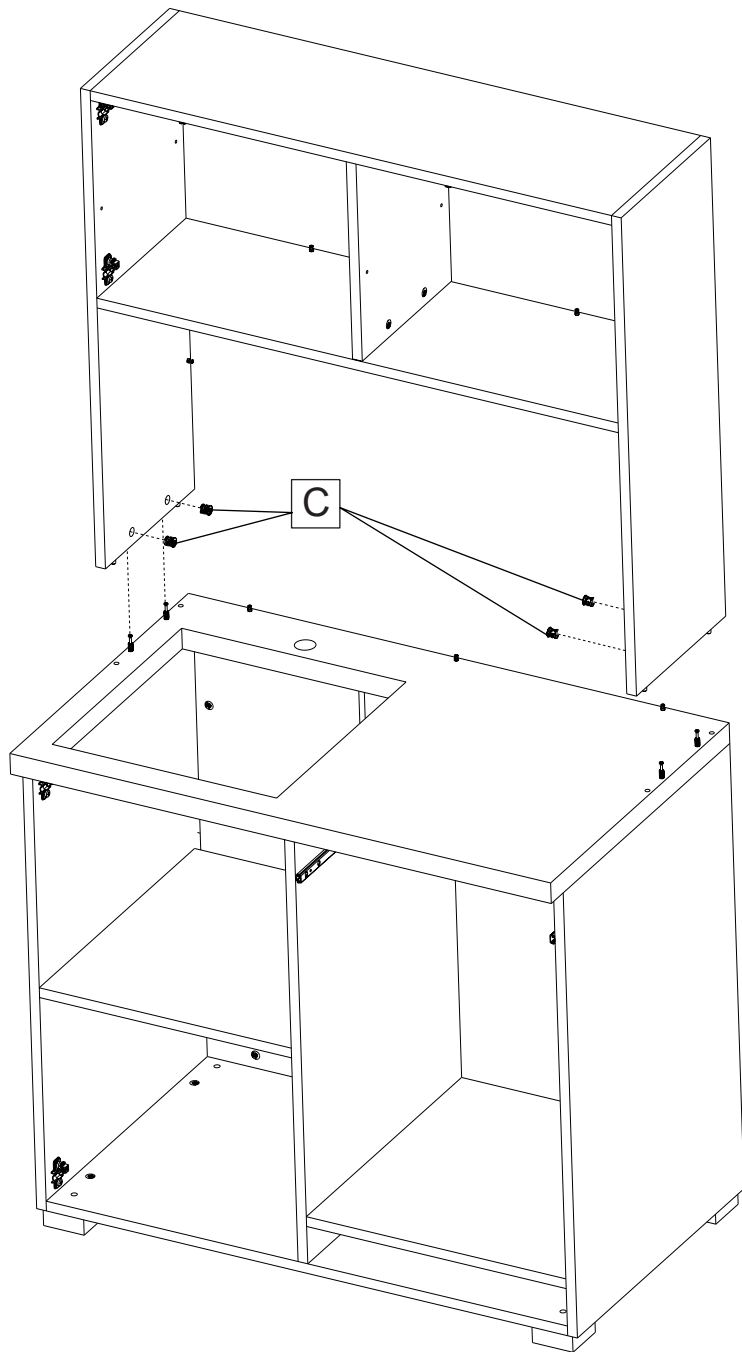
24



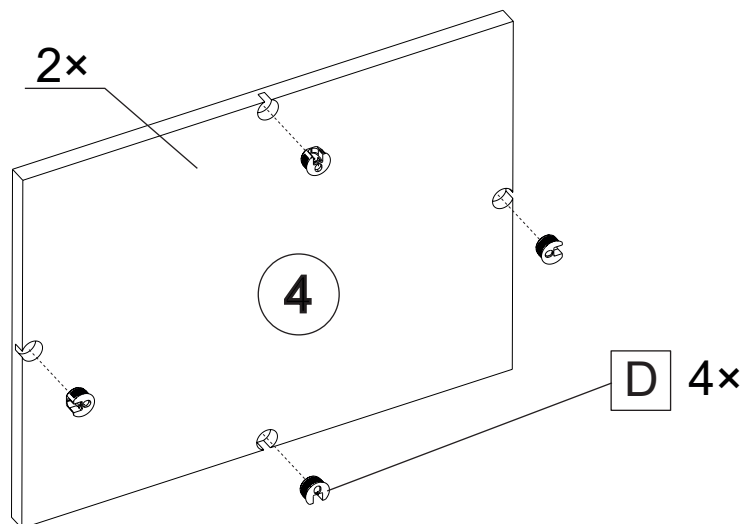
25



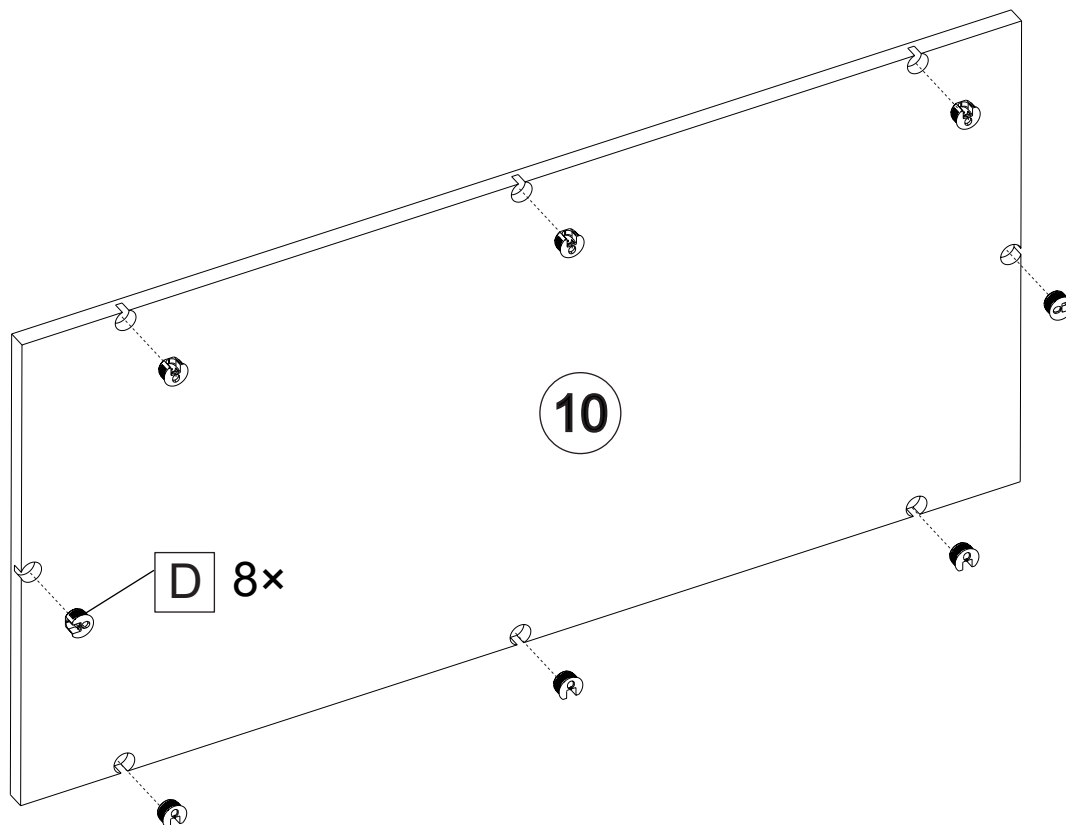
26



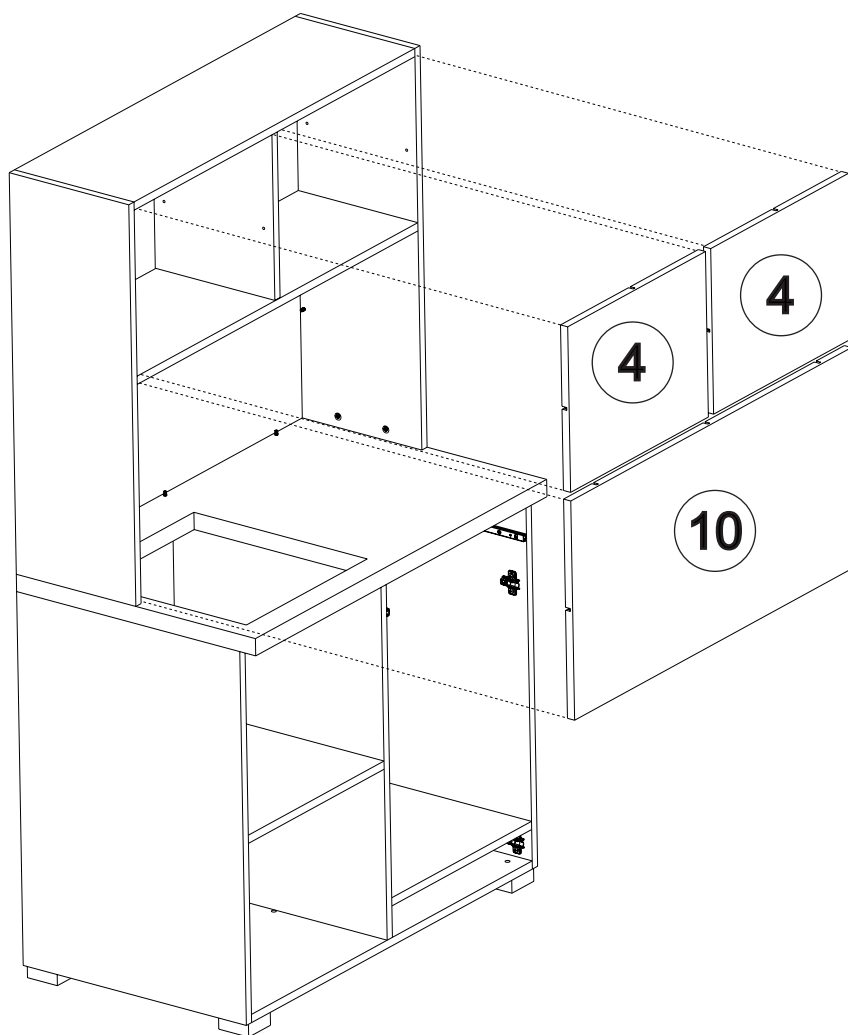
27



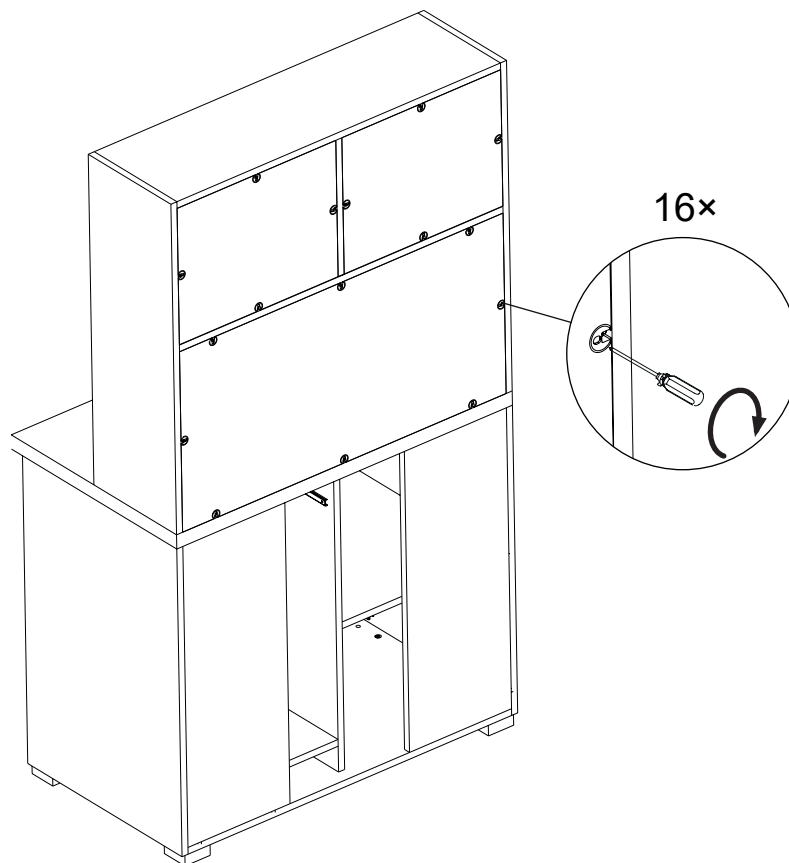
28



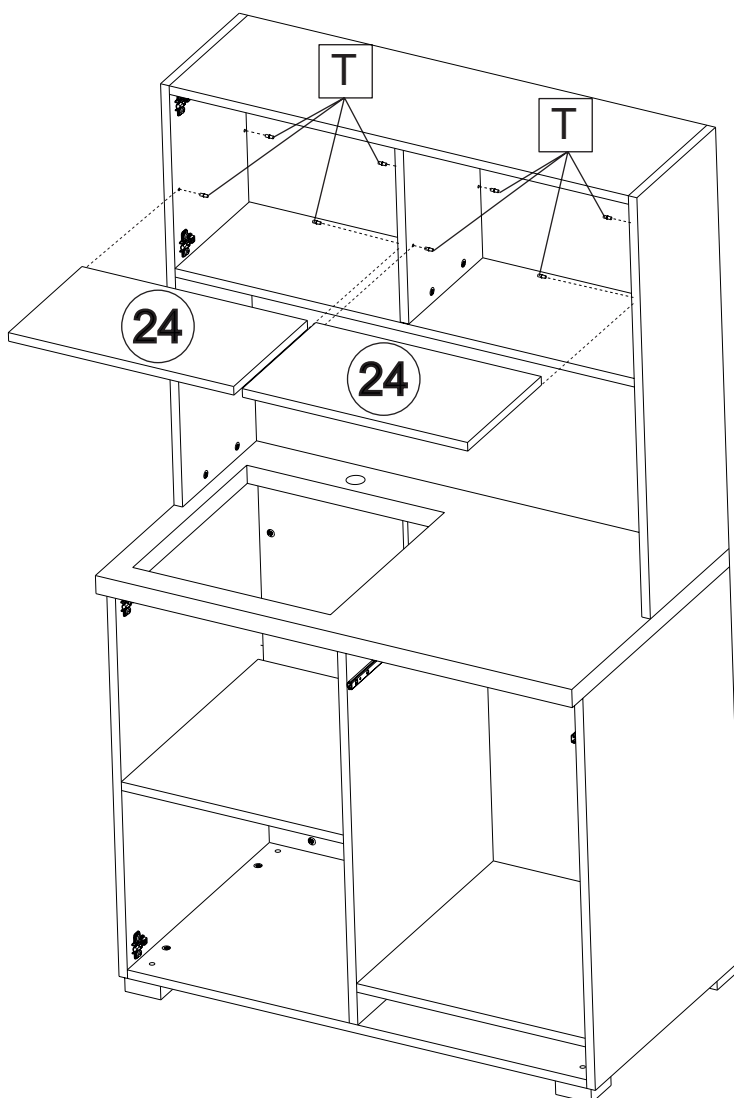
29

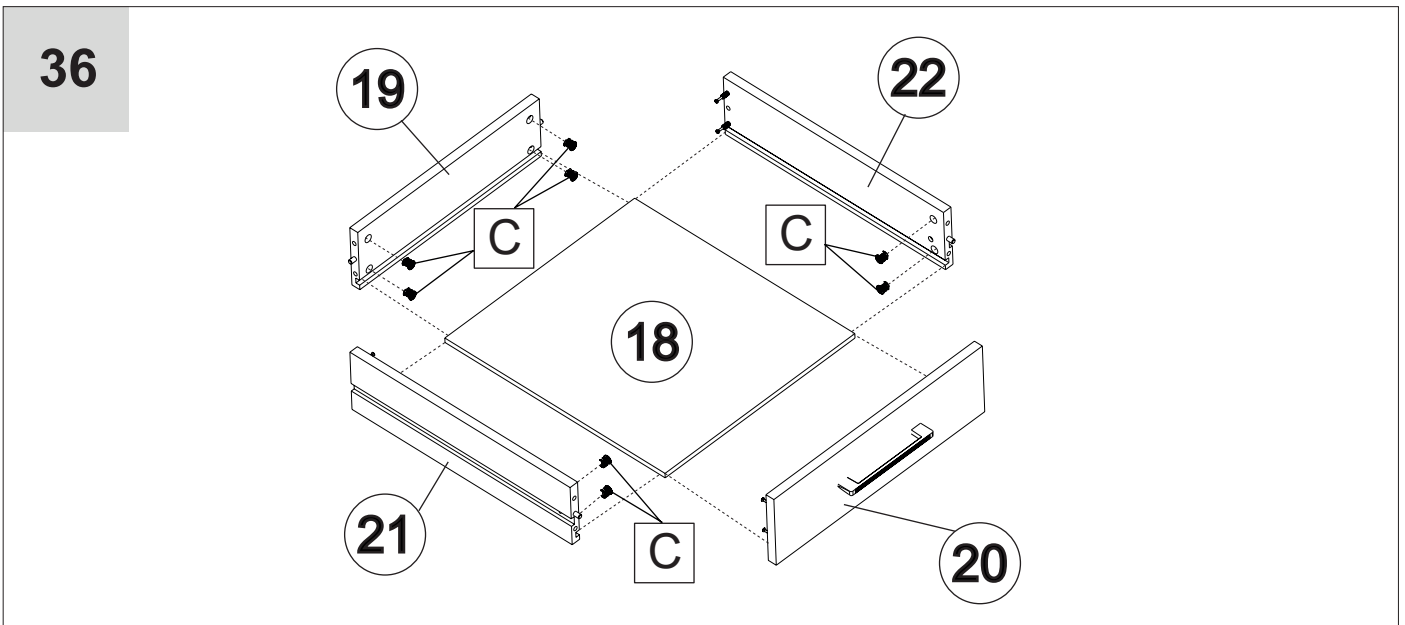
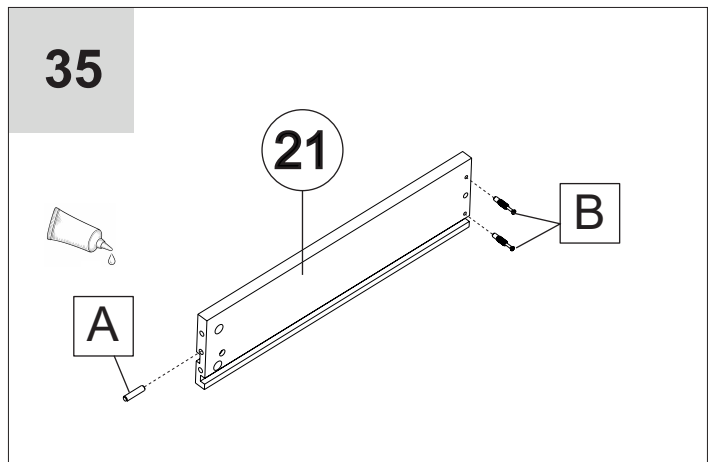
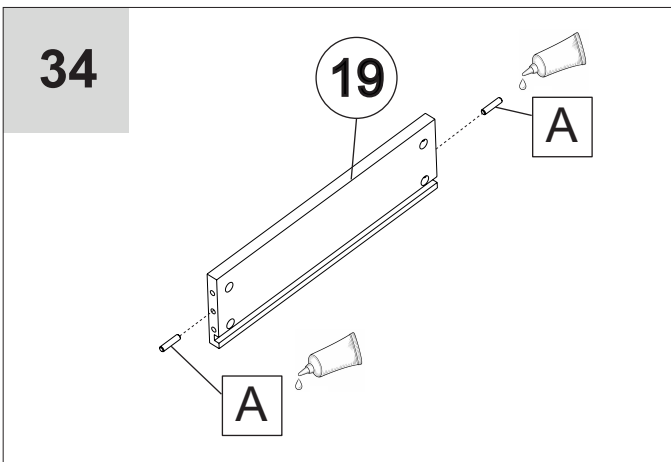
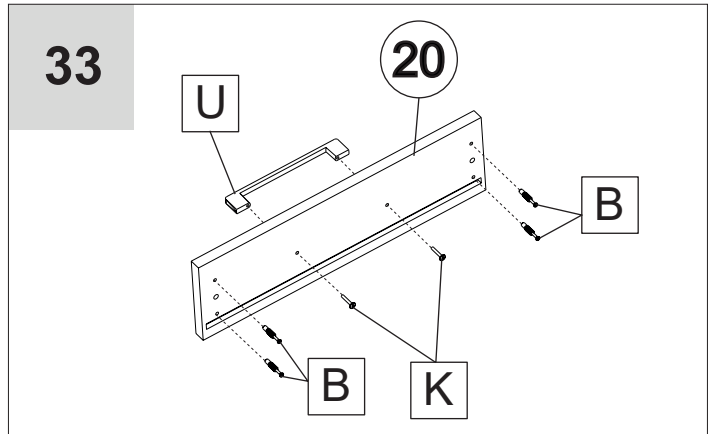
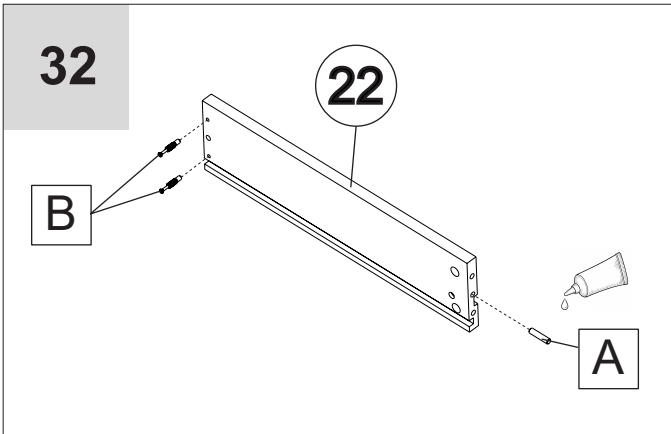
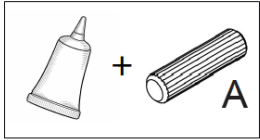


30

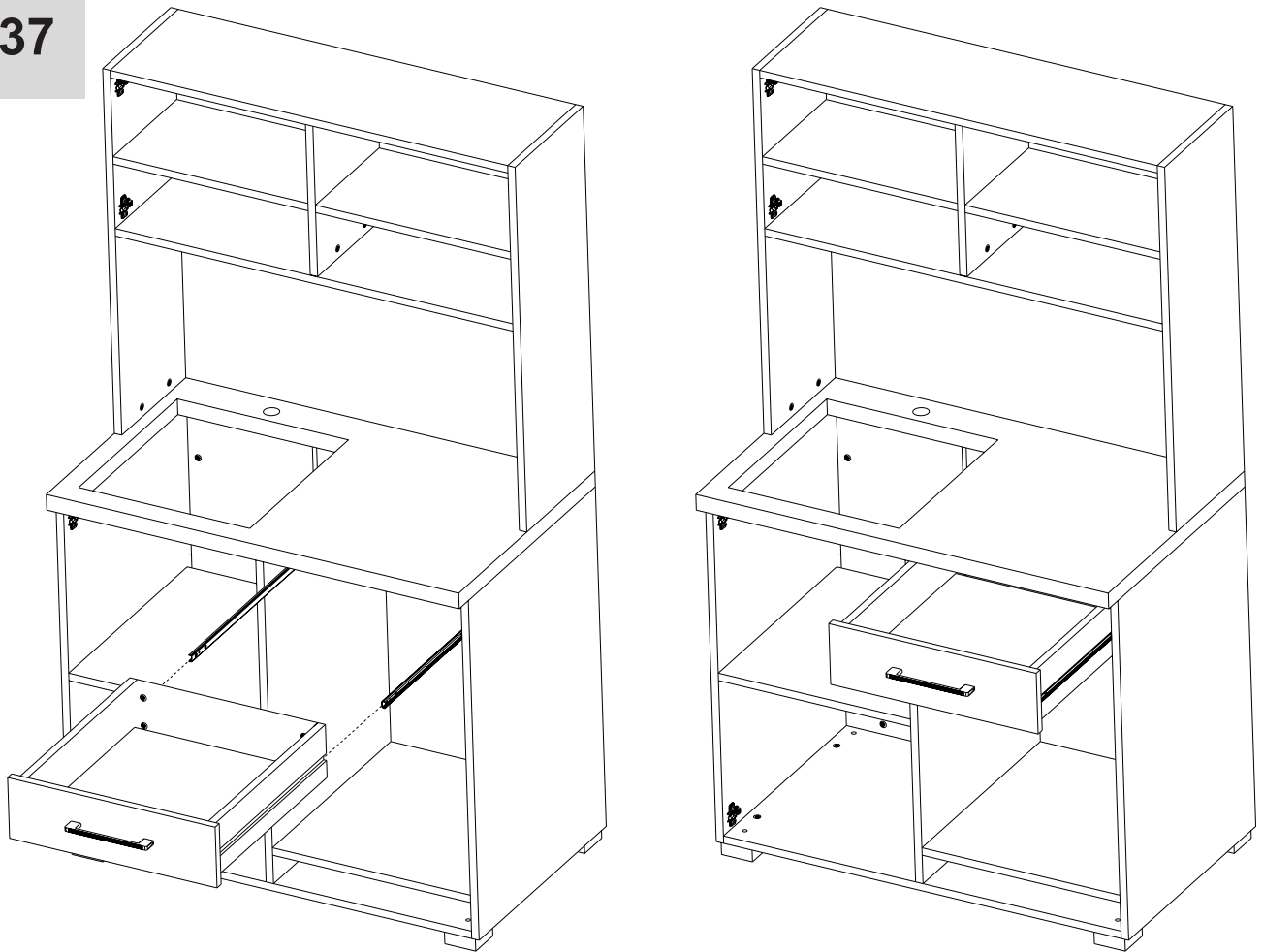


31

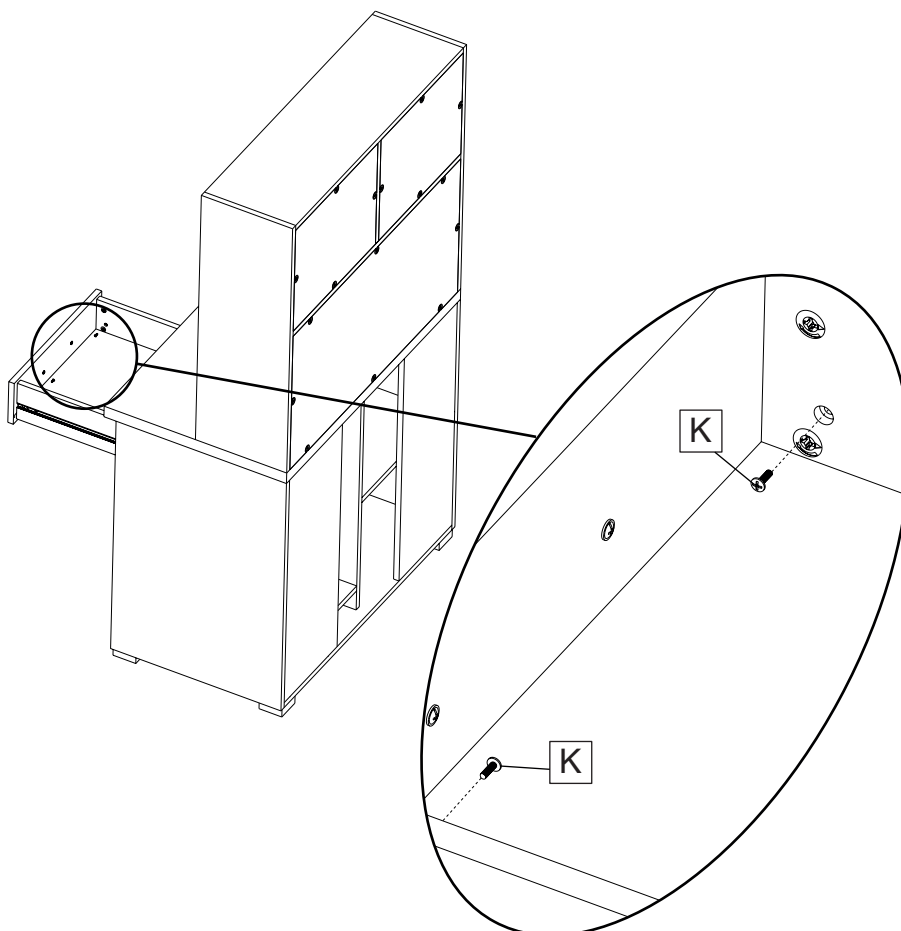




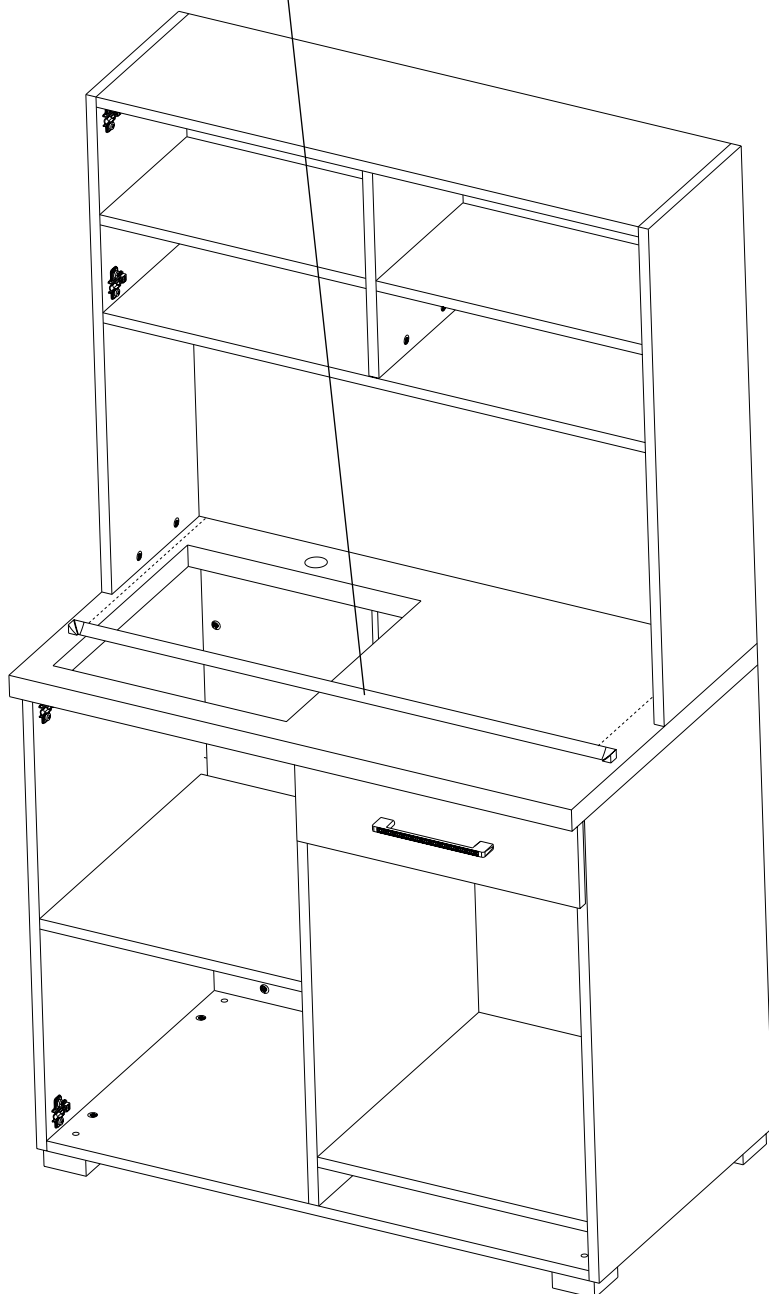
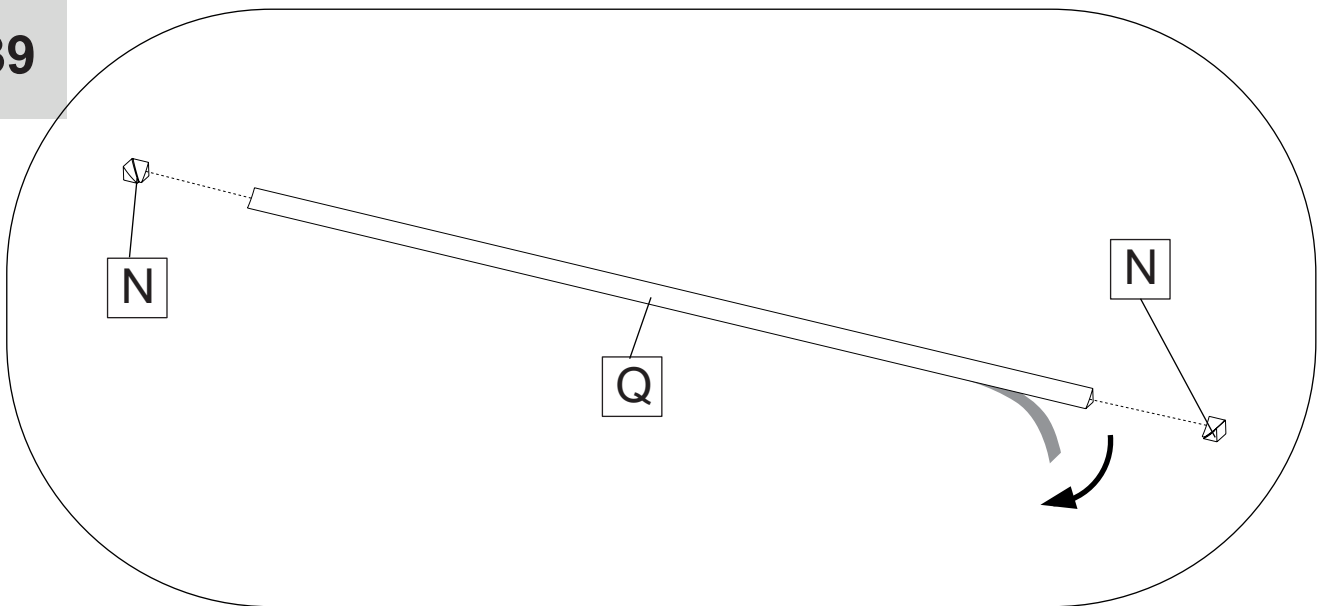
37



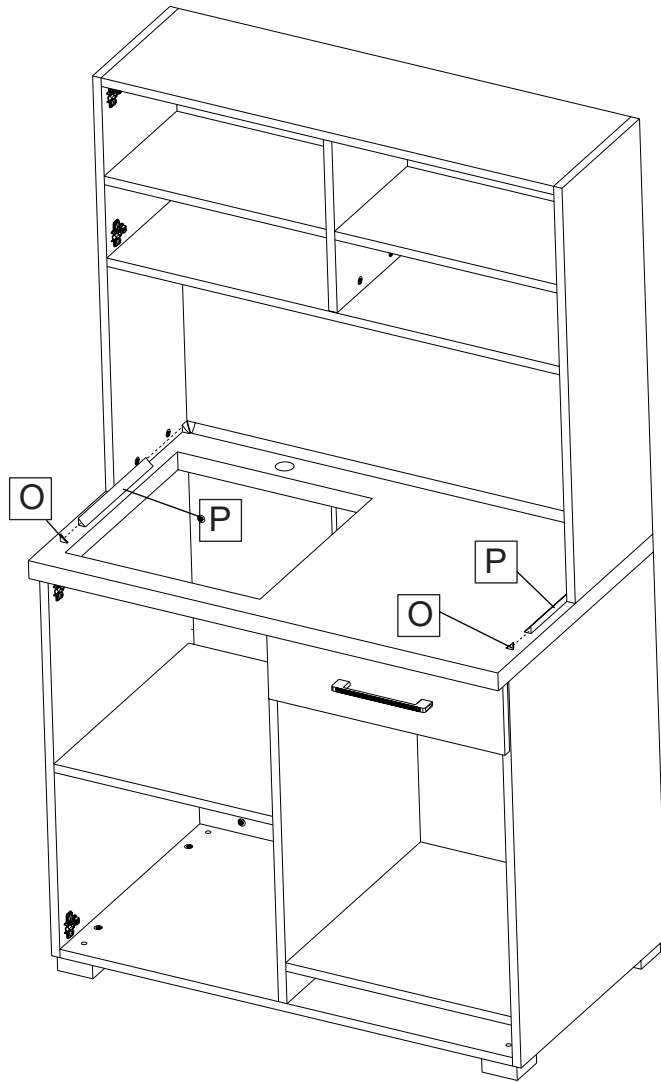
38



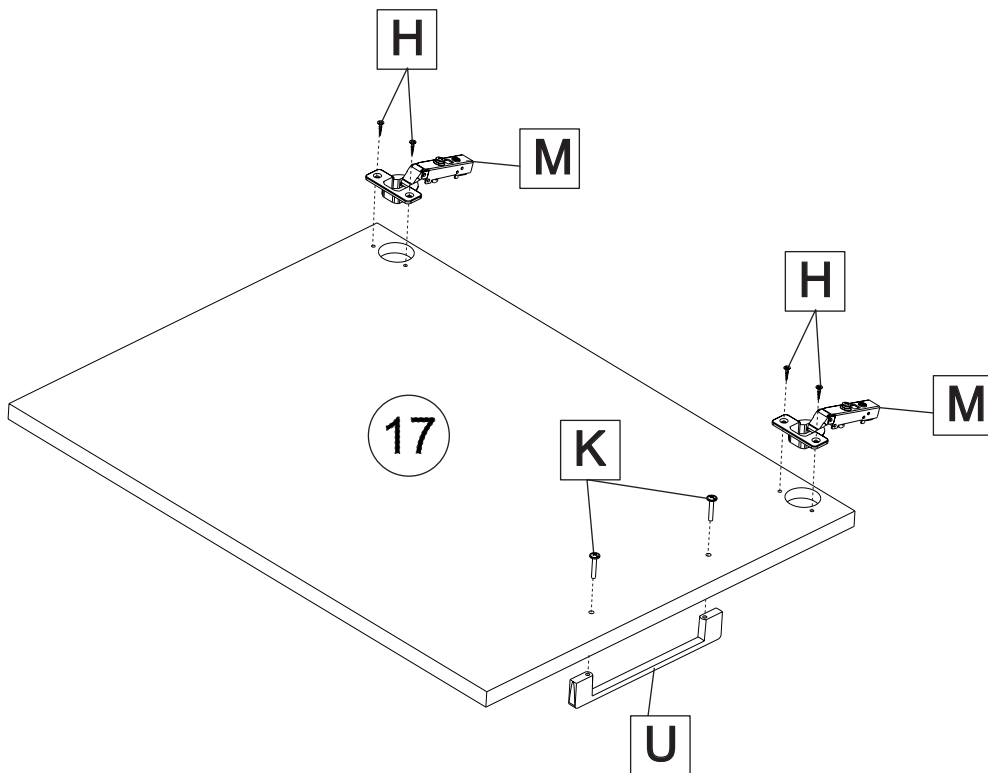
39



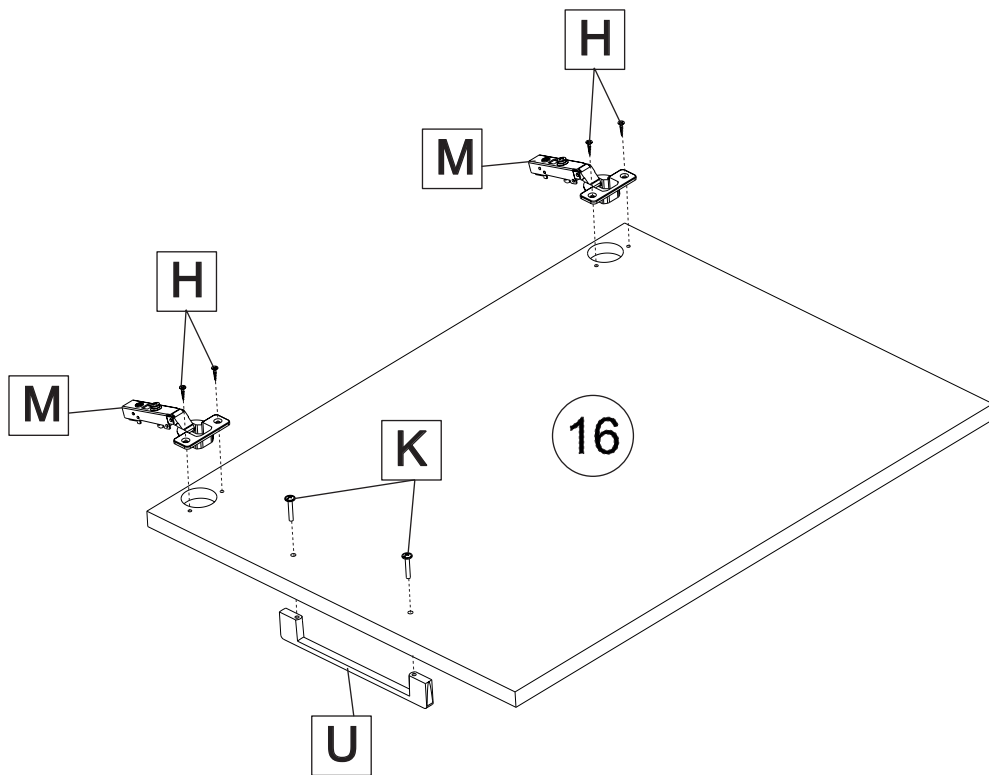
40



41



42



43

