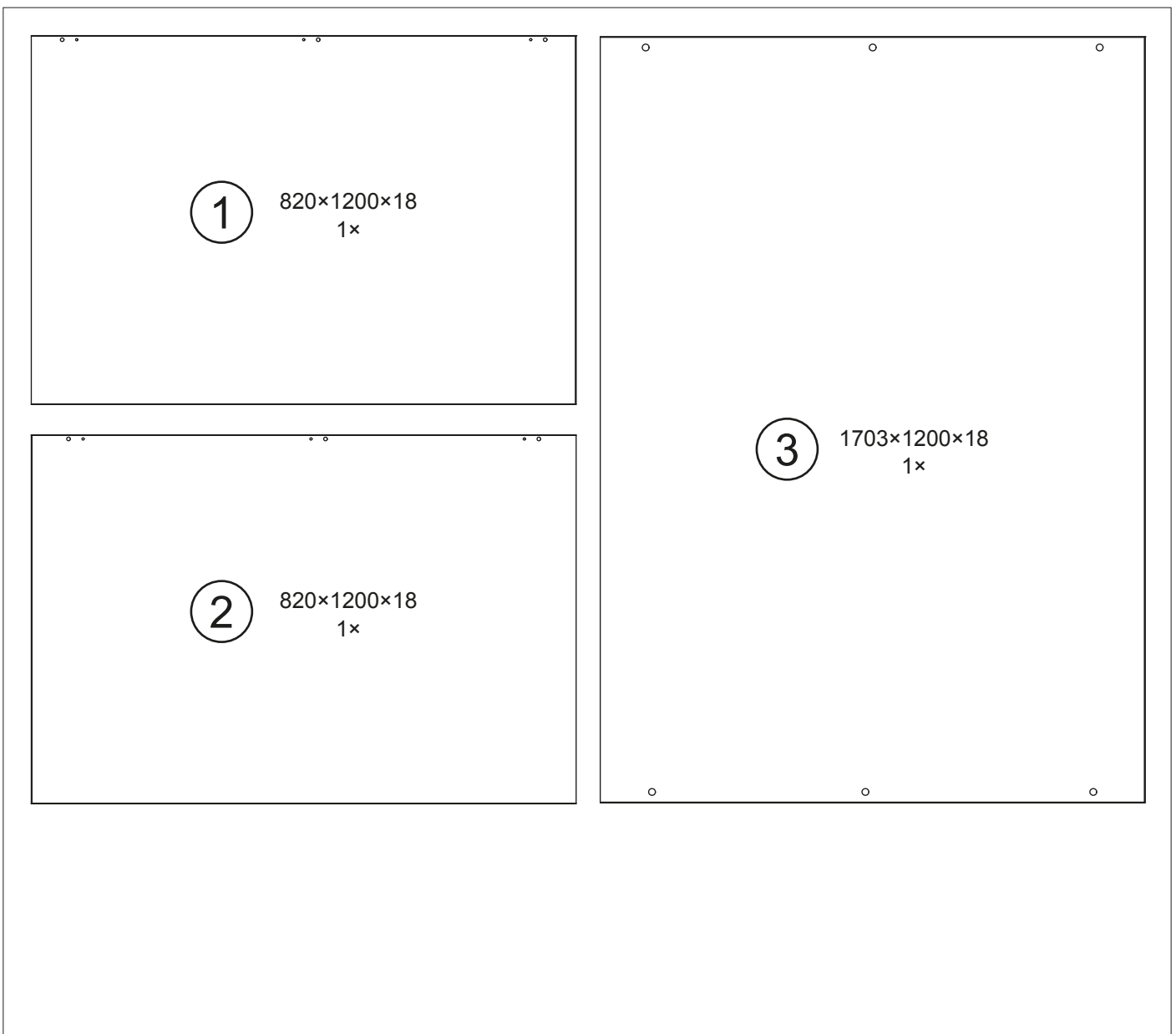
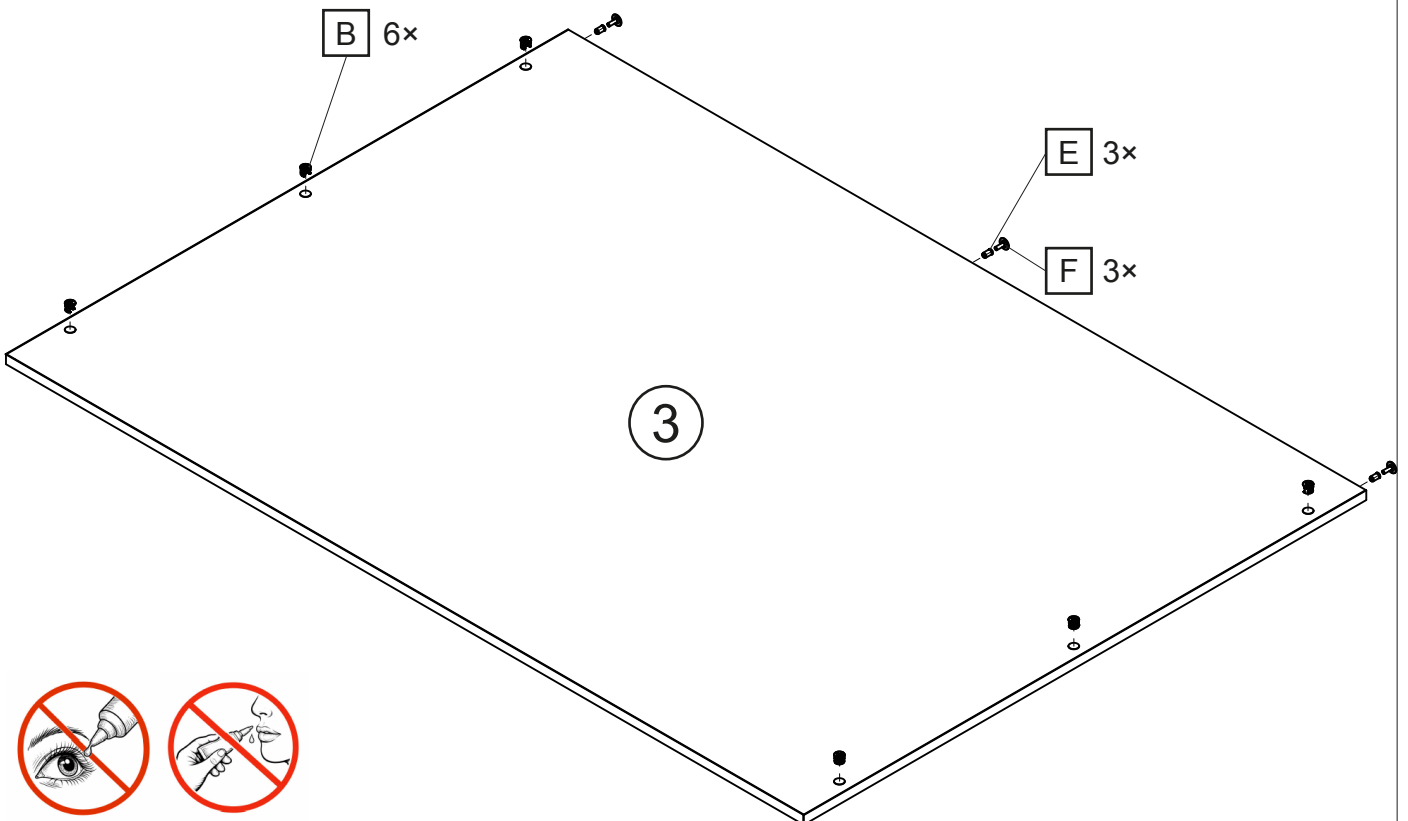
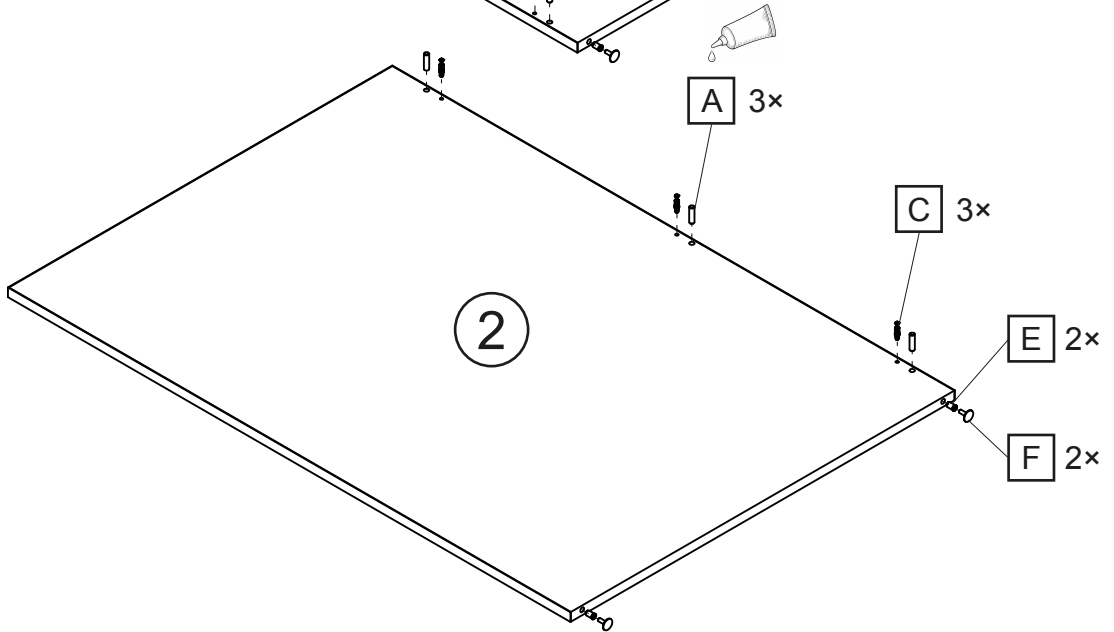
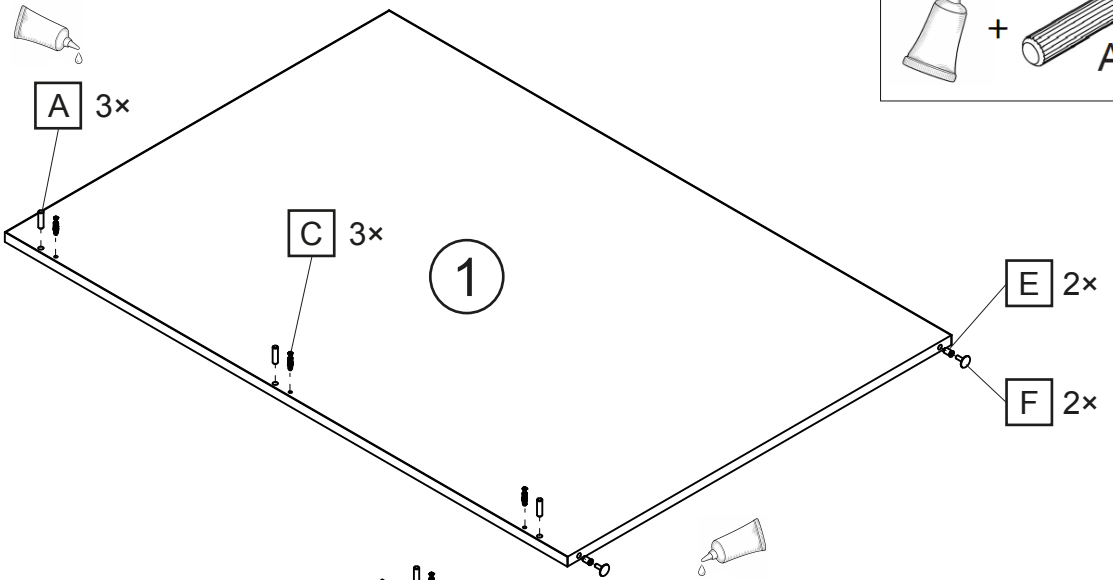
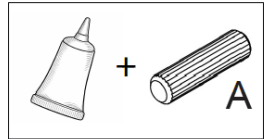
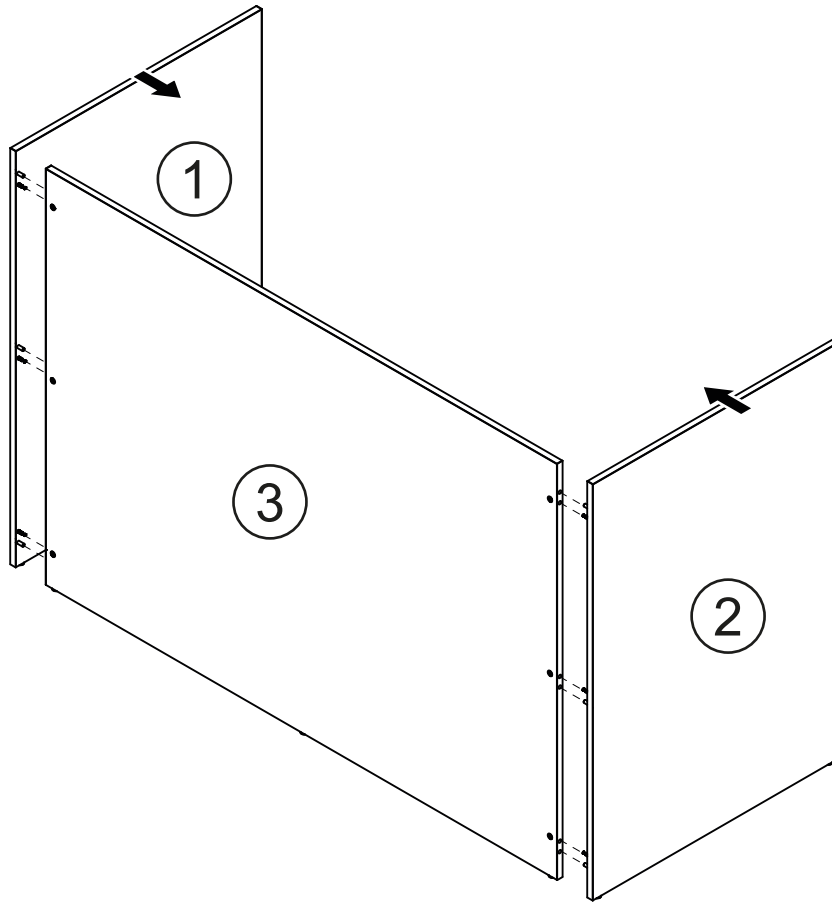
	
Ø8 x 35		Ø8 x 24			
A 6x	B 6x	C 6x	D 6x	E 7x	F 7x



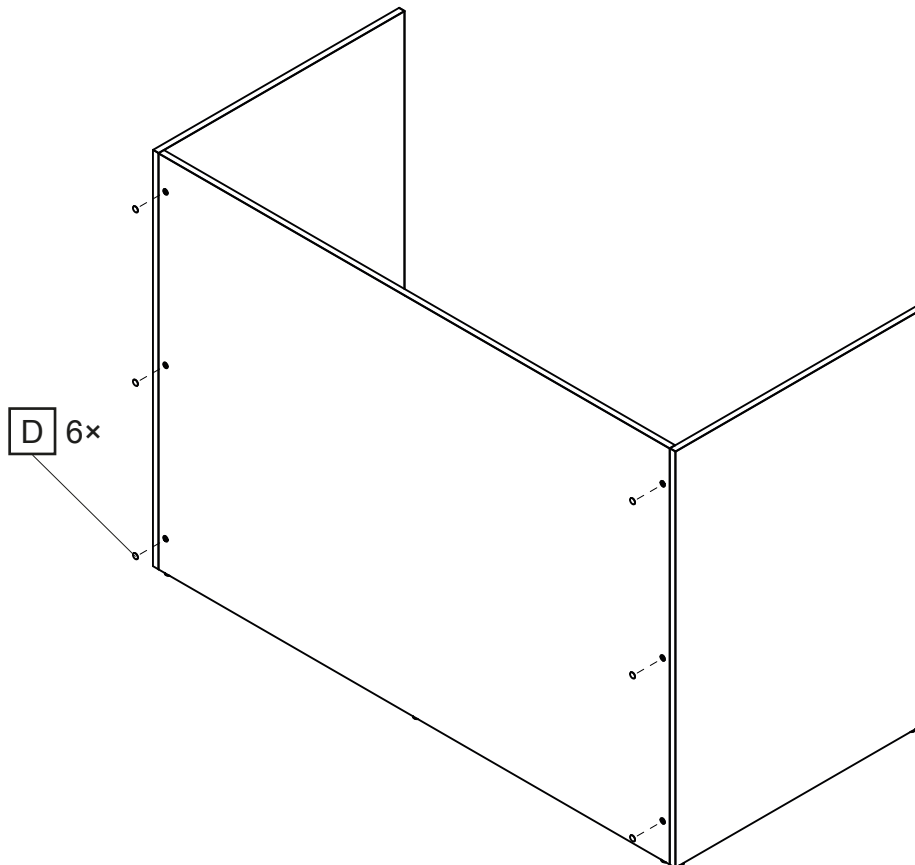
1

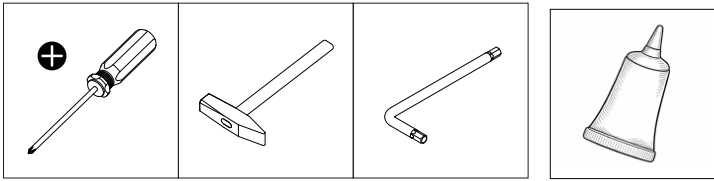
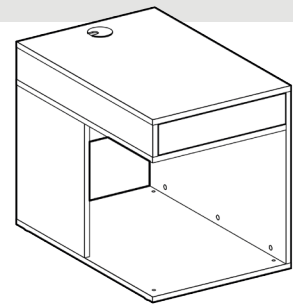



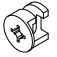







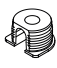

2

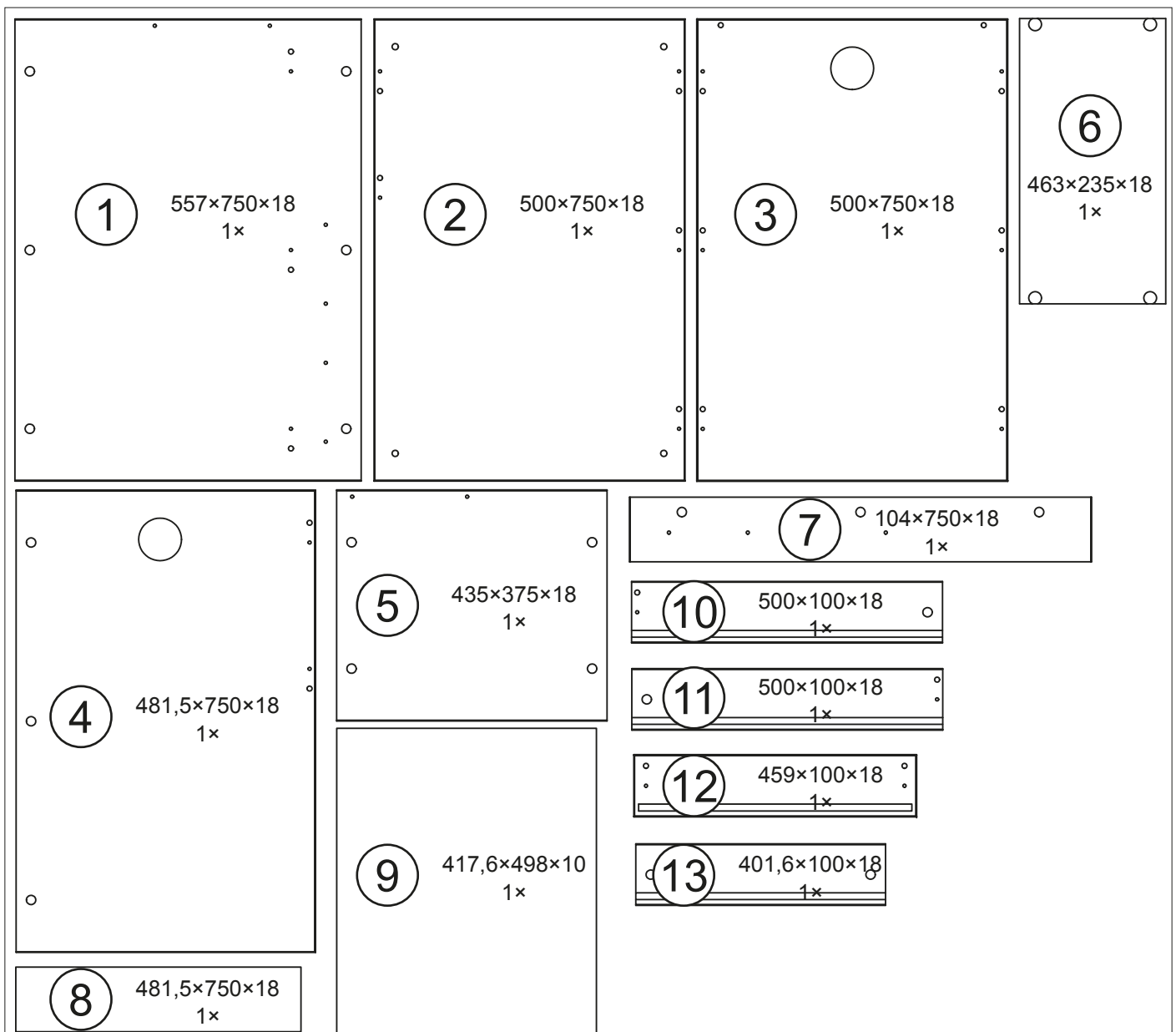


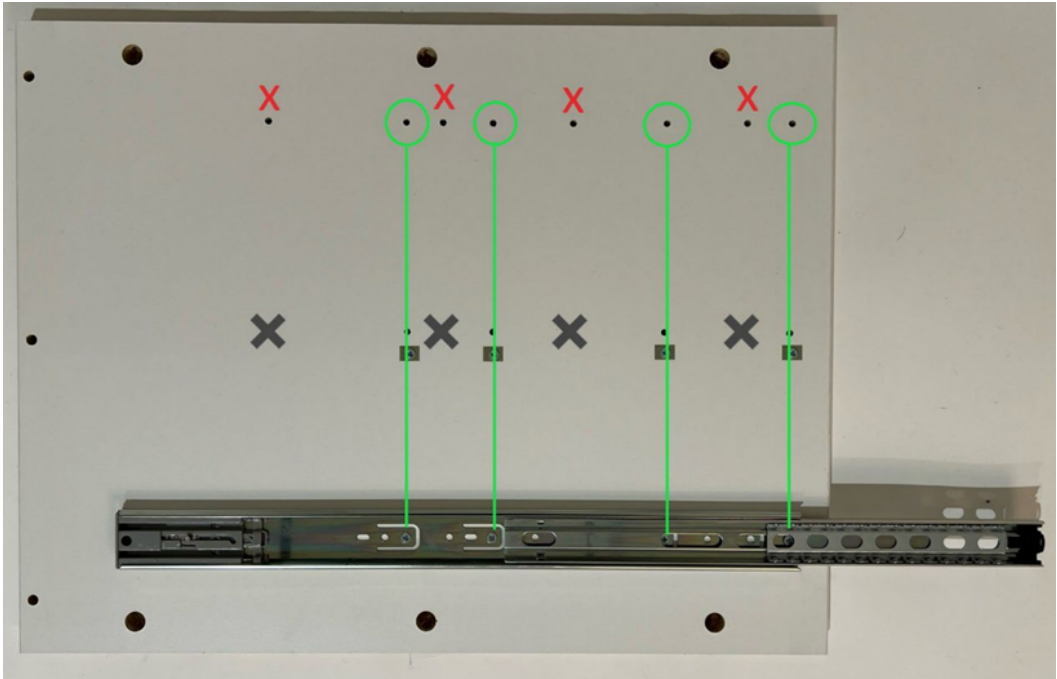
3



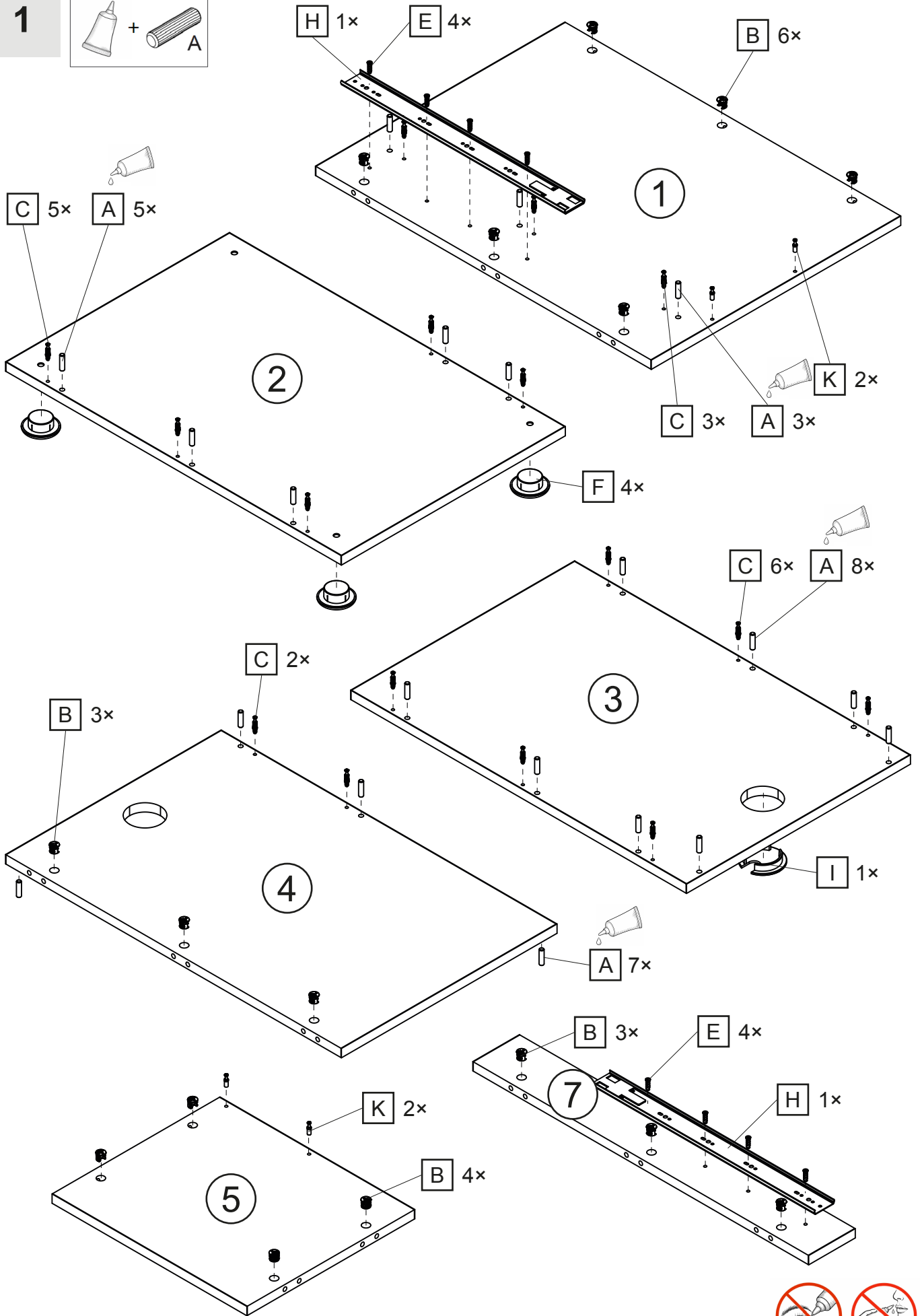
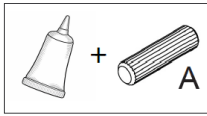


 Ø8 x 35	 20x	 Ø8 x 24	 20x	 Ø6,3 x 13	 4x	 Ø3,5 x 16	 500 mm
A 27x	B 20x	C 20x	D 20x	E 12x	F 4x	G 10x	H 1x
 1x	 4x	 4x					
I 1x	J 4x	K 4x					

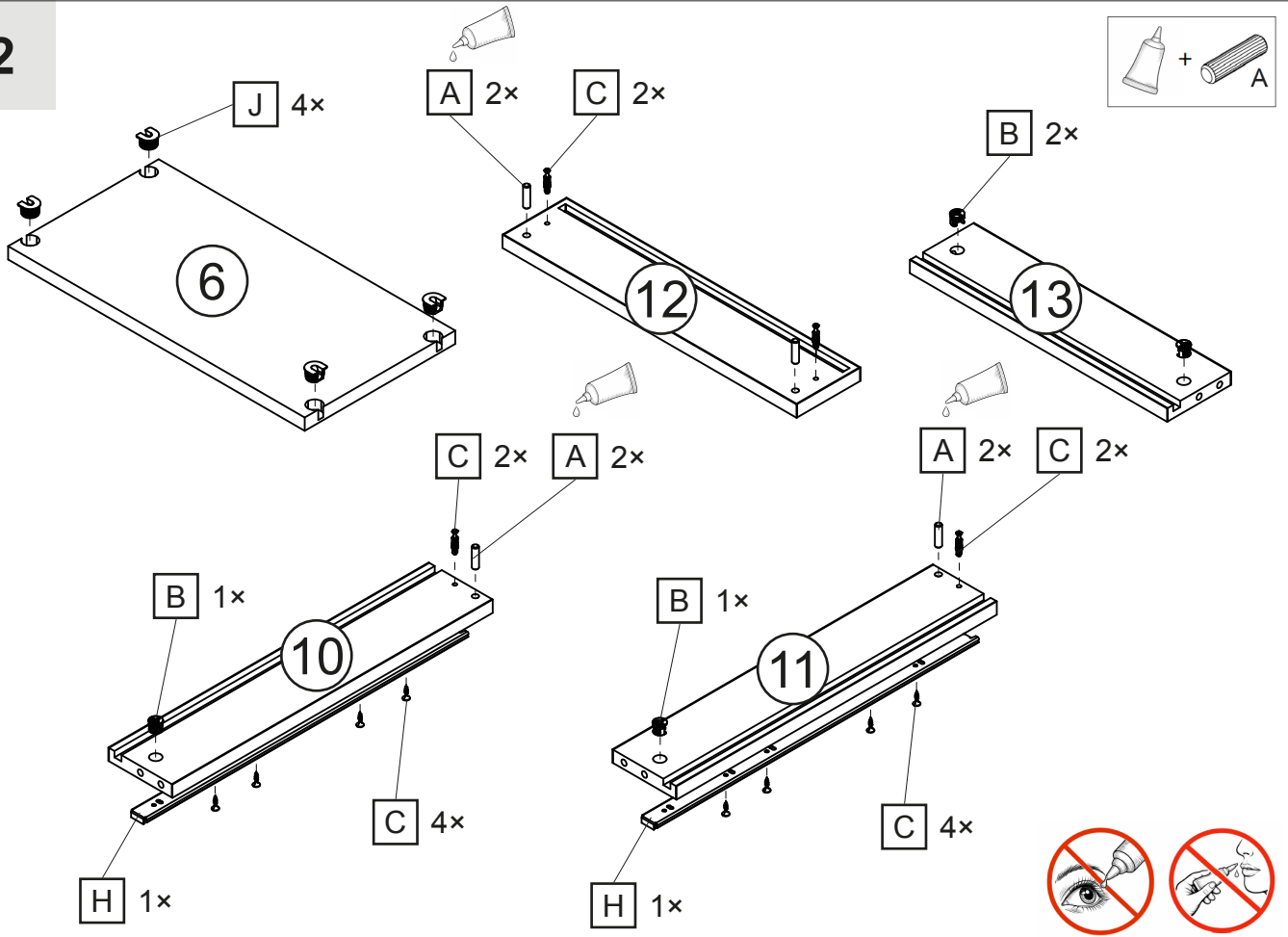




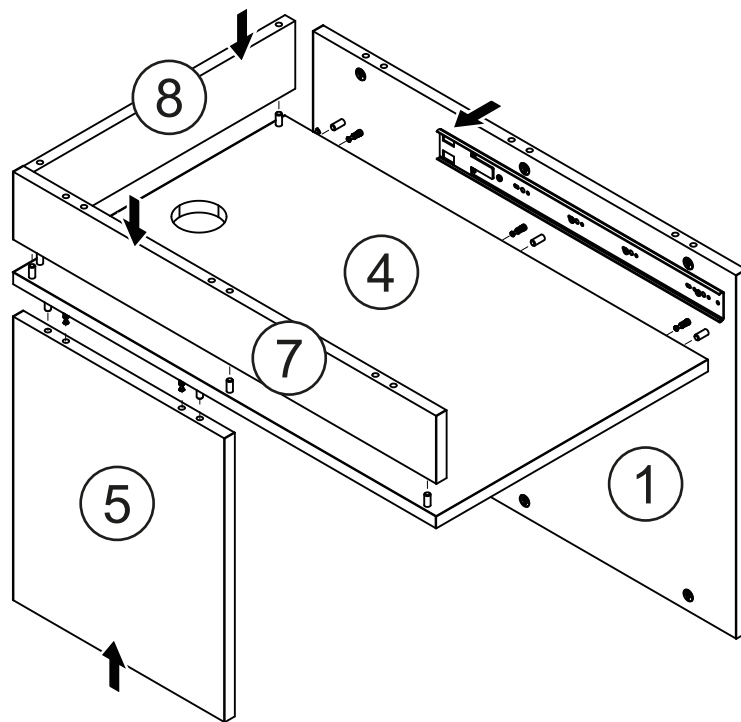
1



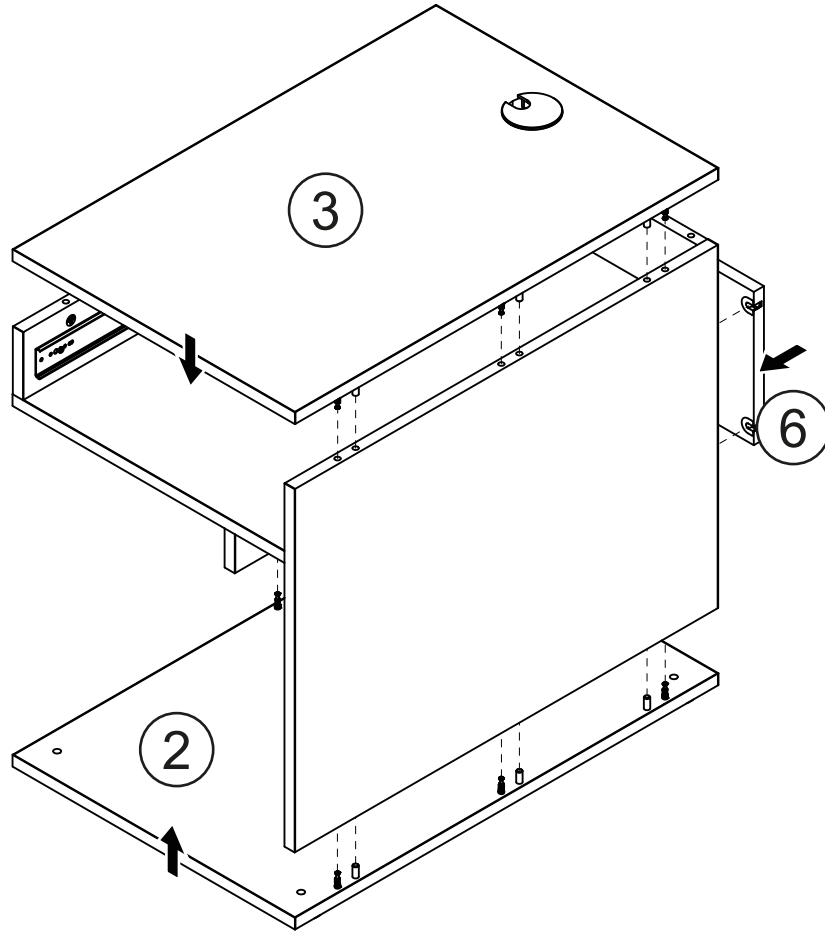
2



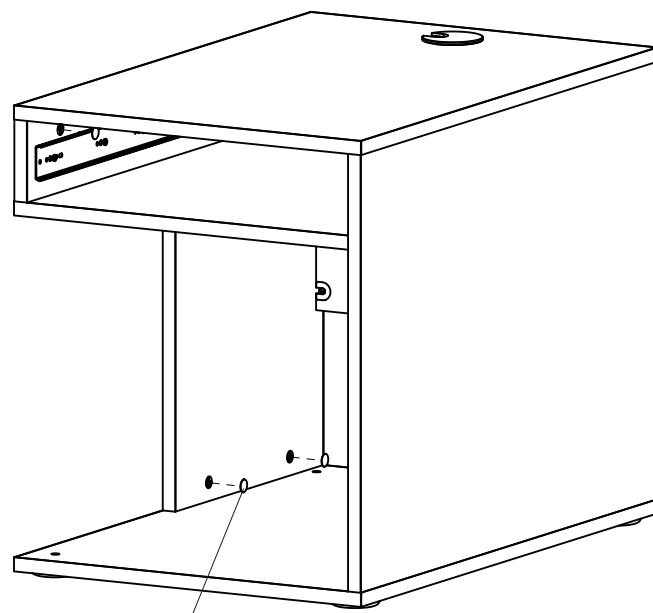
3



4

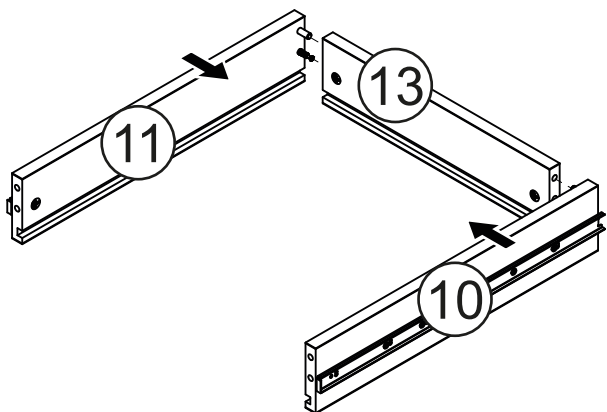


5

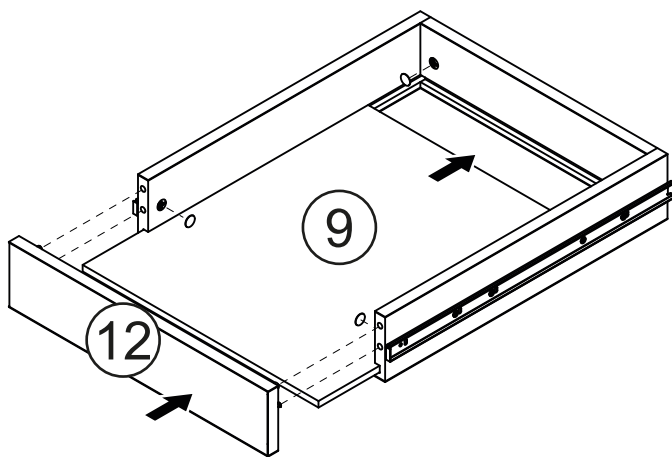


D 16x

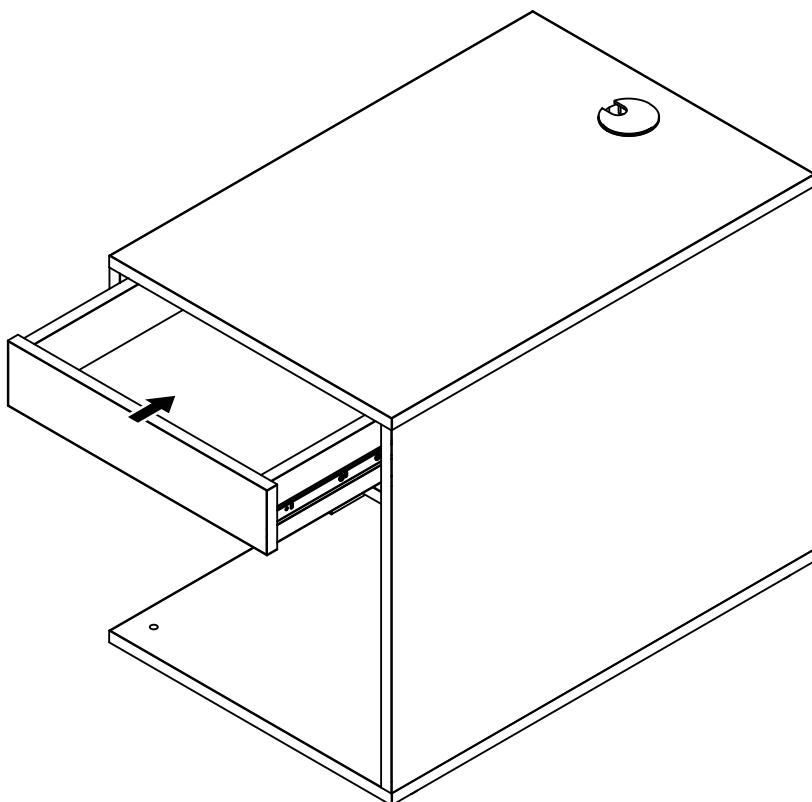
6

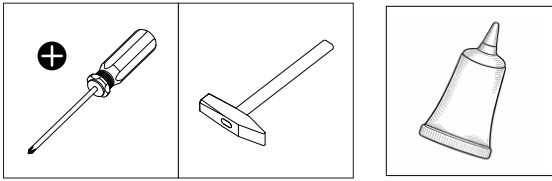
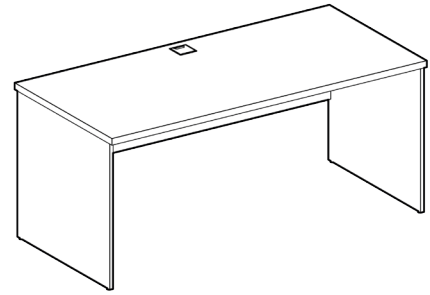









7

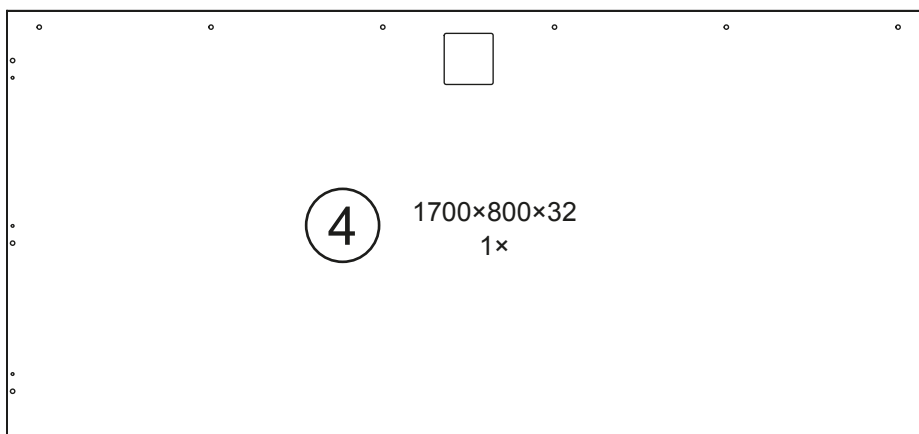
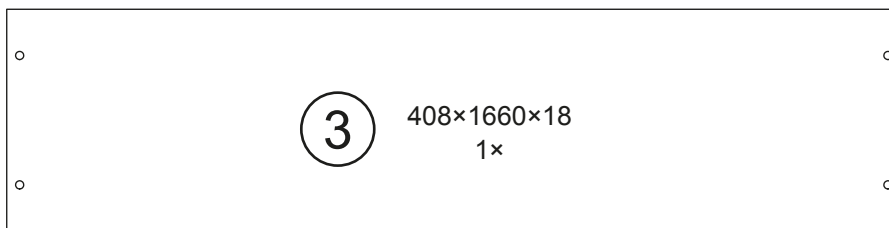
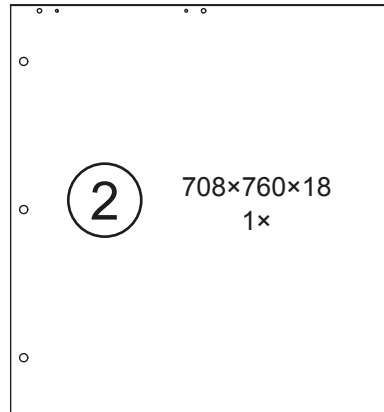
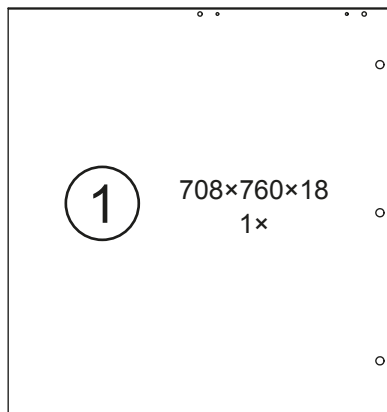


8

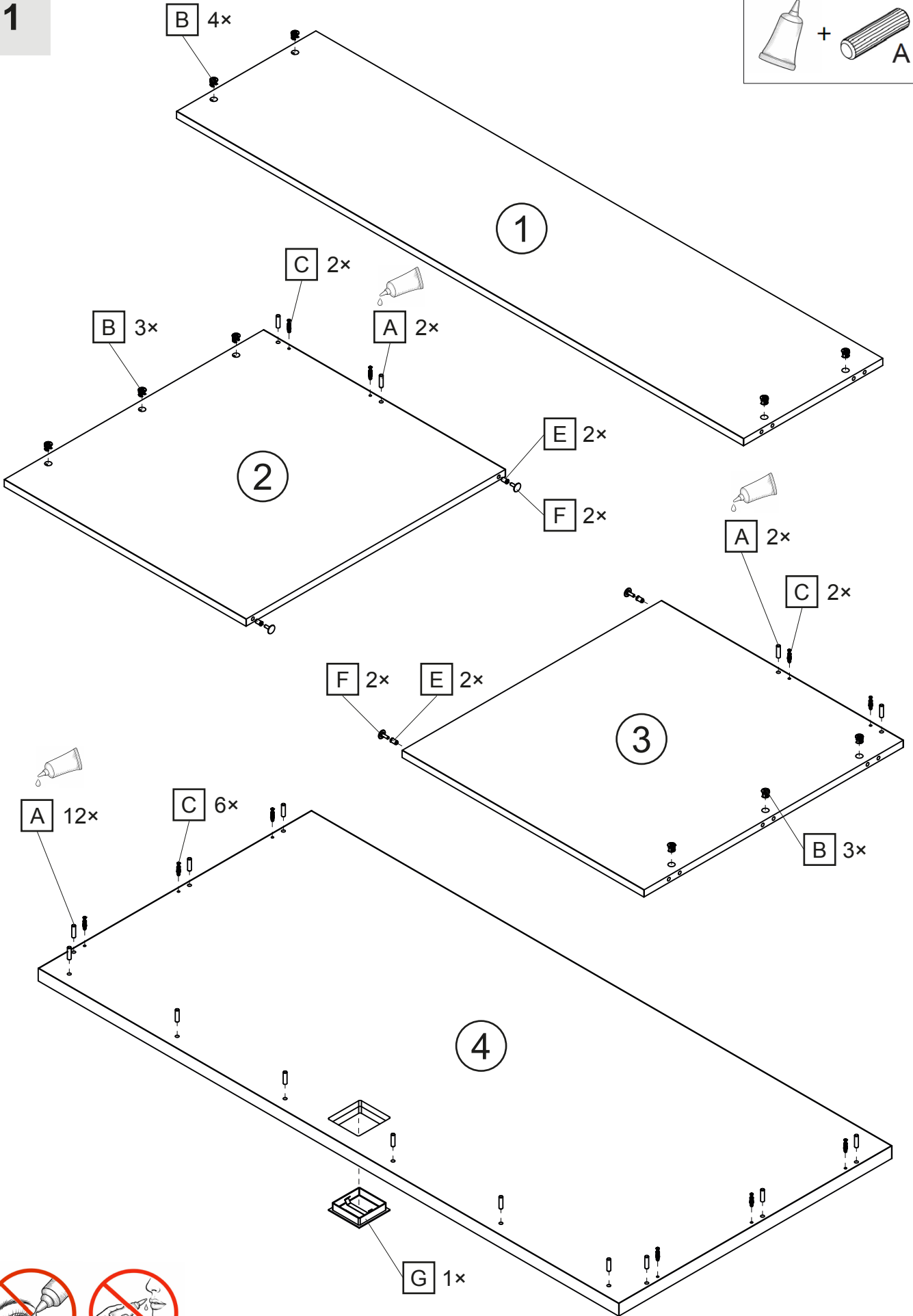
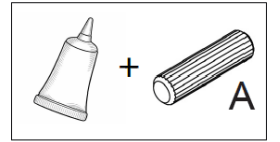




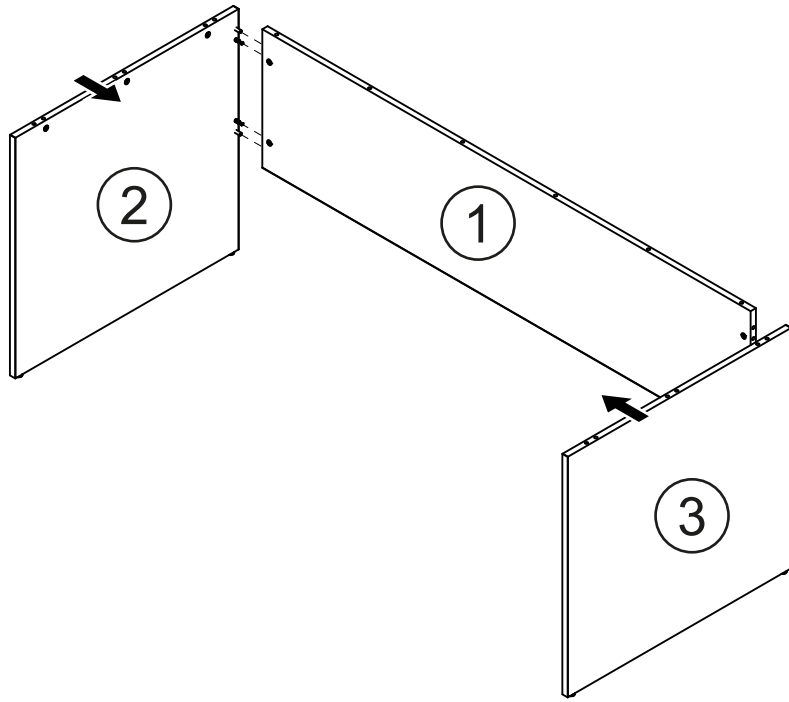
						
Ø8 x 35		Ø8 x 24				
A 16x	B 10x	C 10x	D 10x	E 4x	F 4x	G 1x



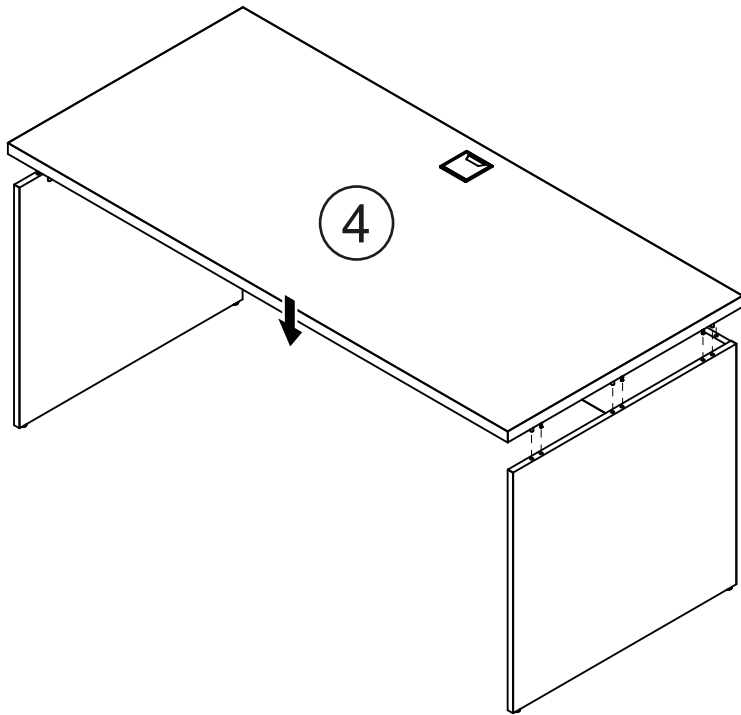
1



2



3



4

