




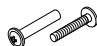






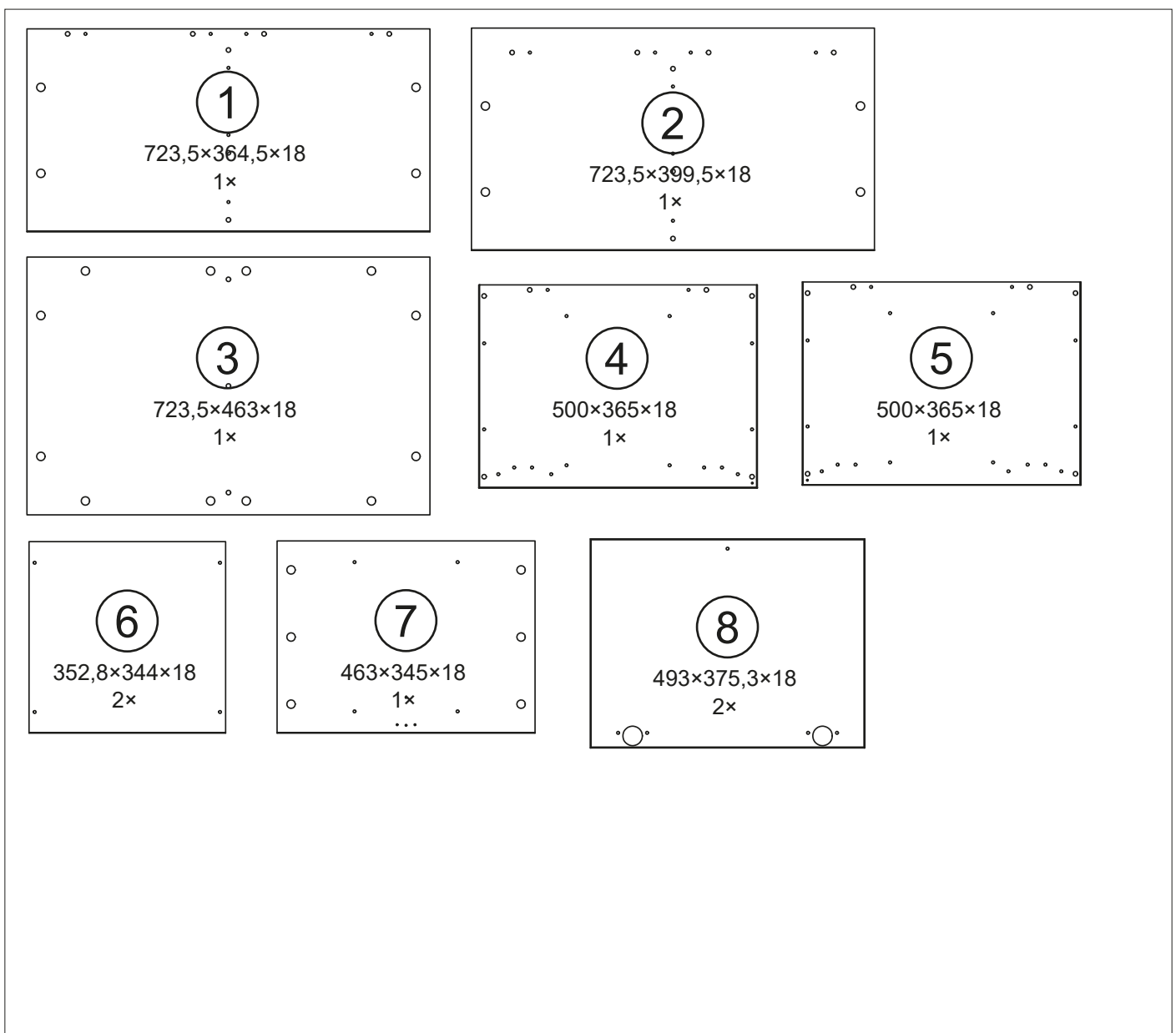
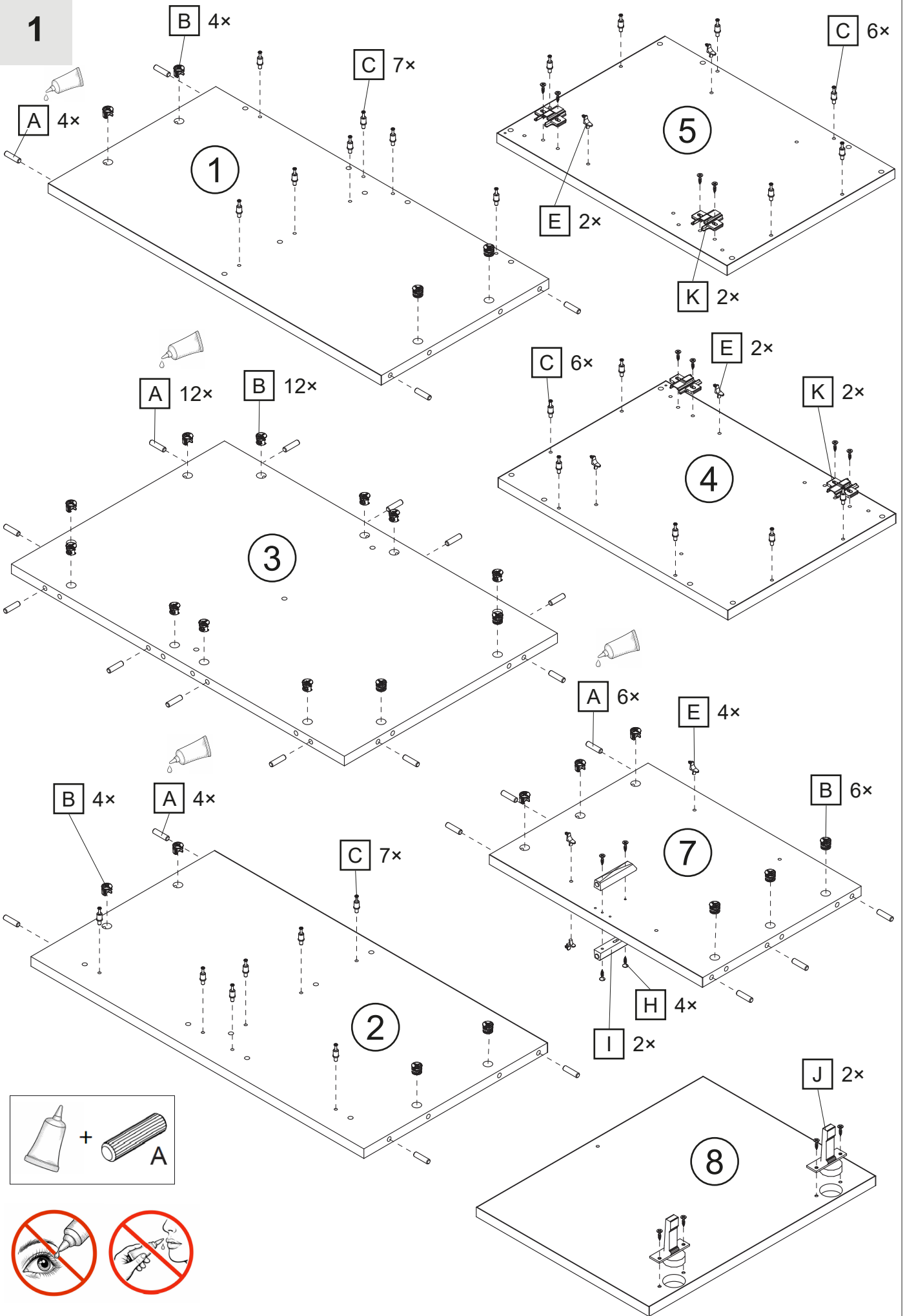


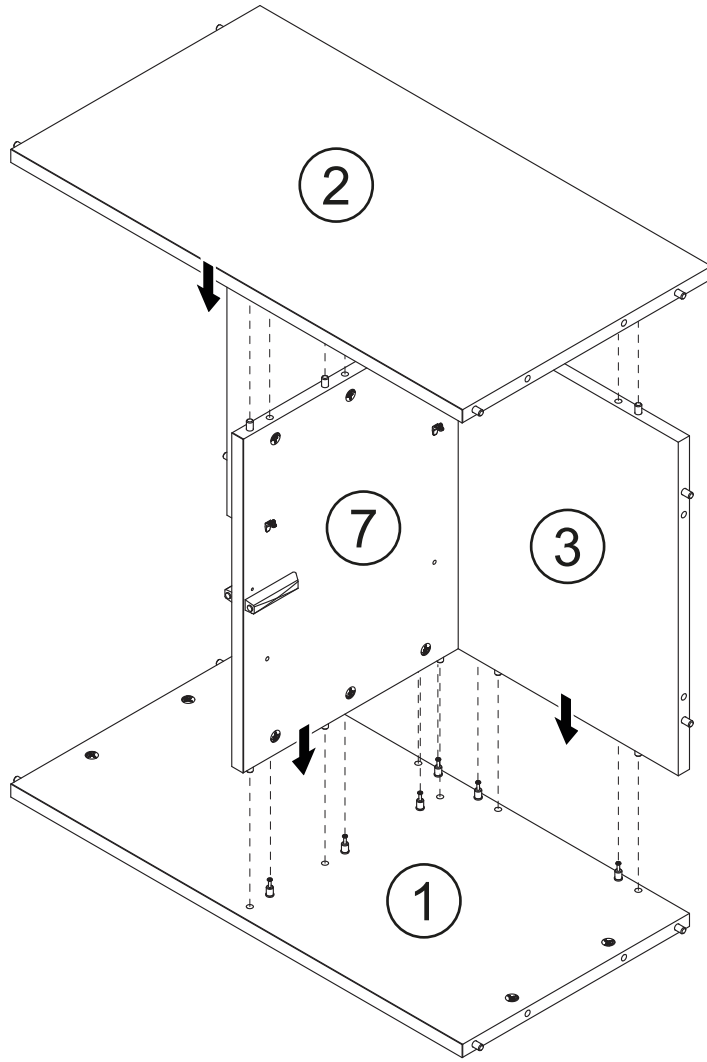
|   |   |   |   |   |   |   |   |
|---|---|---|---|---|---|---|---|
|  |  |  |  |  |  |  |  |
| Ø8 × 35   |   | Ø8 × 24   |   |   |   | M4 × 25   | Ø3,5 × 35   |
| A 26×   | B 26×   | C 26×   | D 26×   | E 8×  | F 2×  | G 1×  | H 4×  |
|  |  |  |  |   |   |   |   |
|   |   |   | Ø7 × 50   |   |   |   |   |
| I 2×  | J 4×  | K 4×  | L 3×  |   |   |   |   |



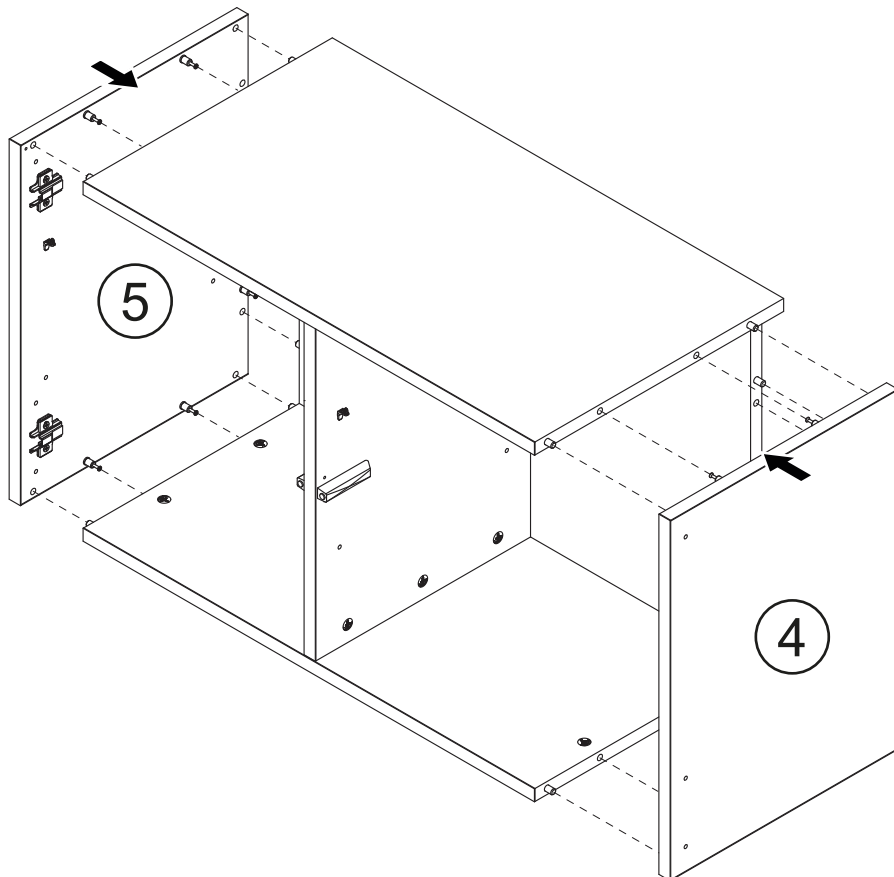
1



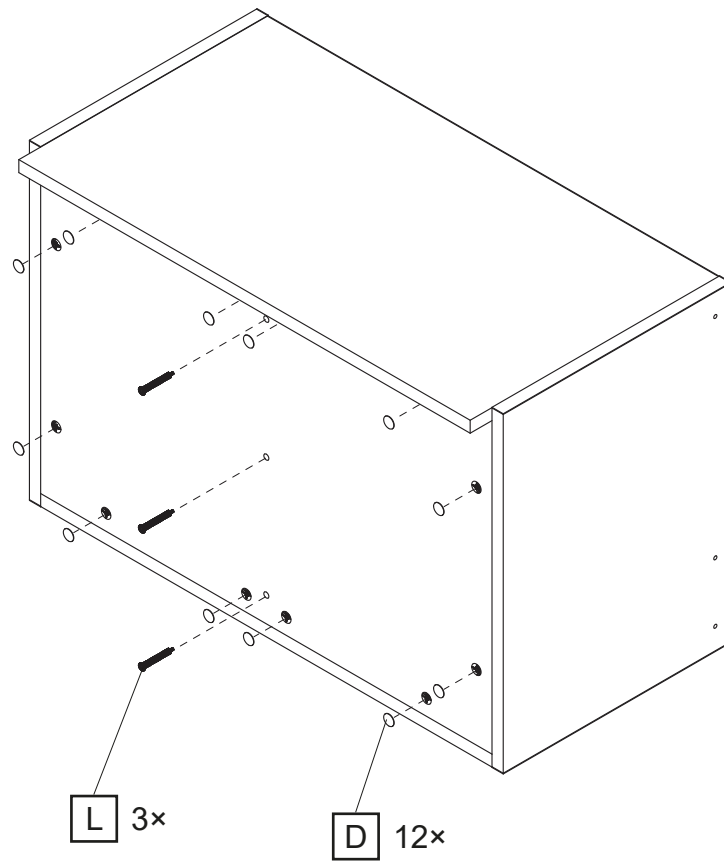
2



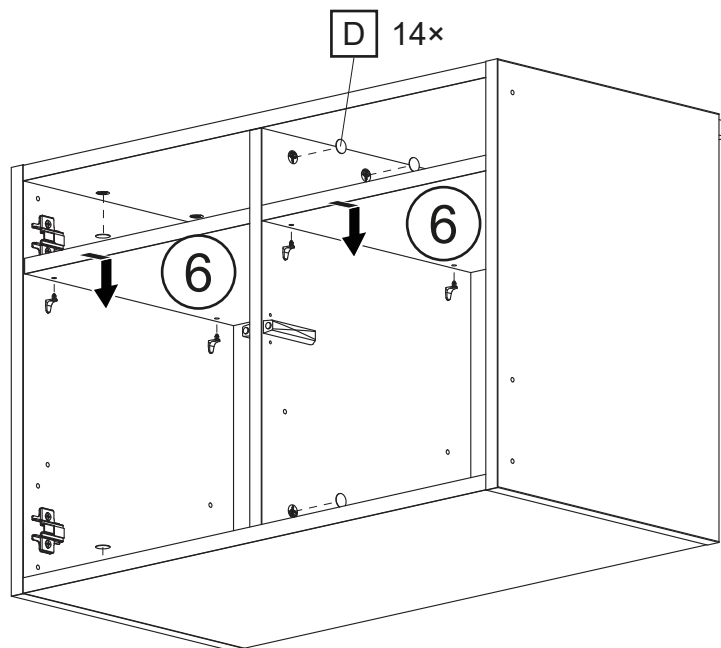
3



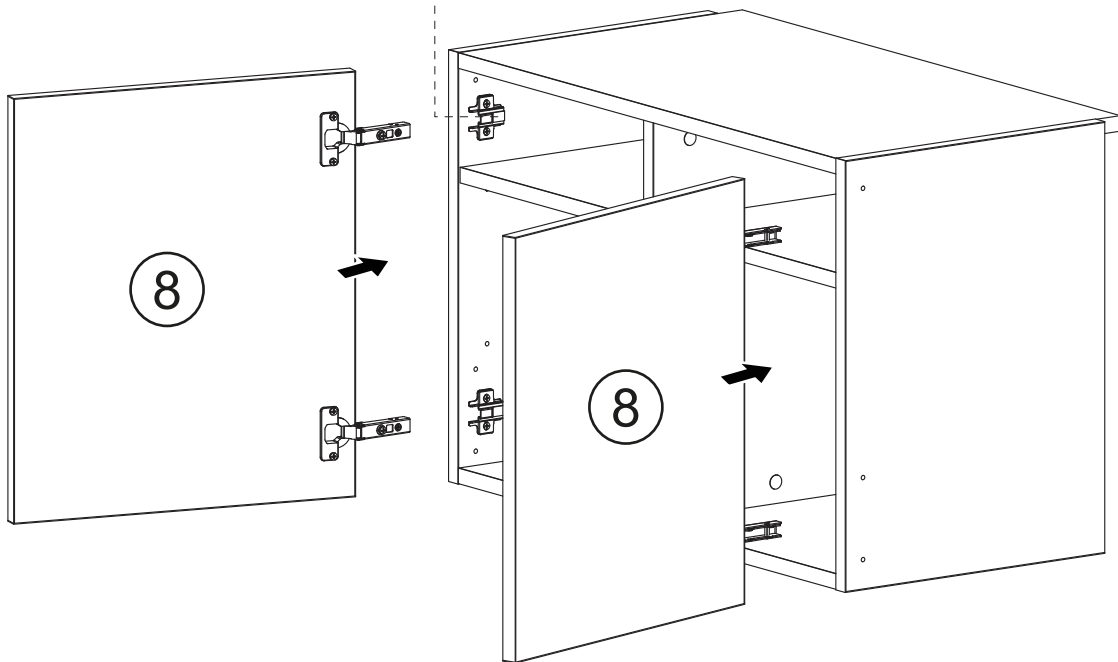
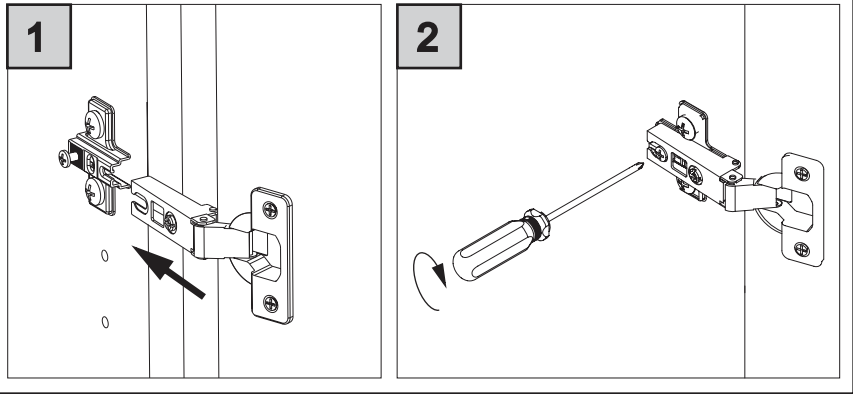
4



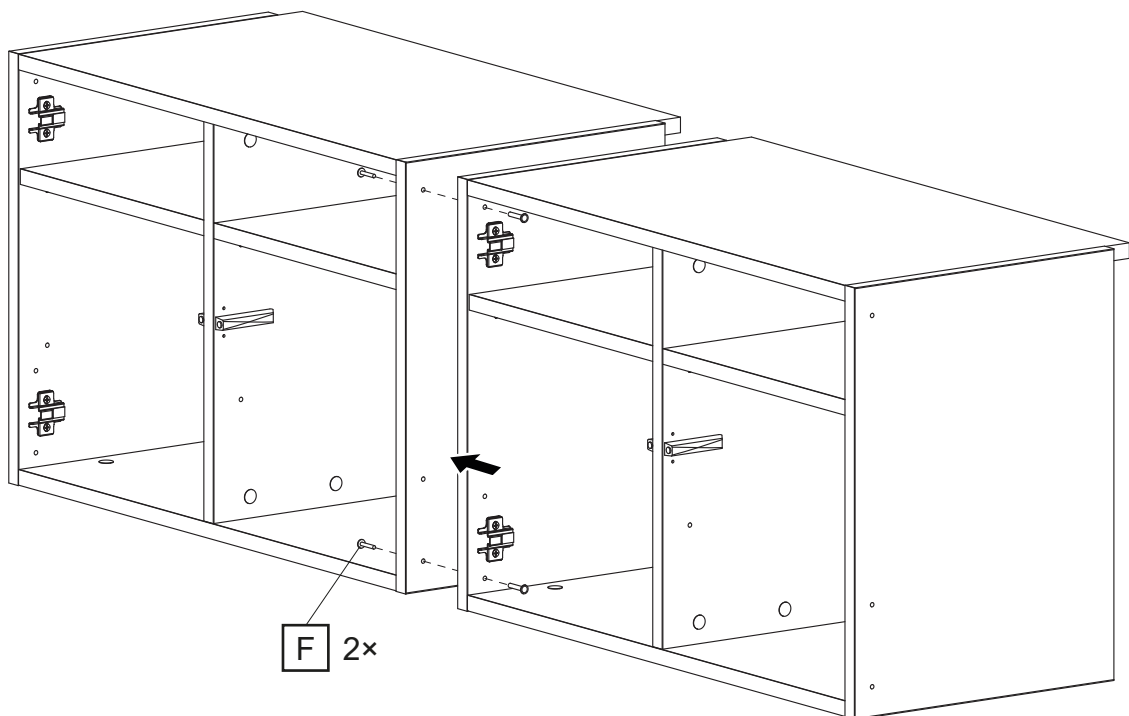
5



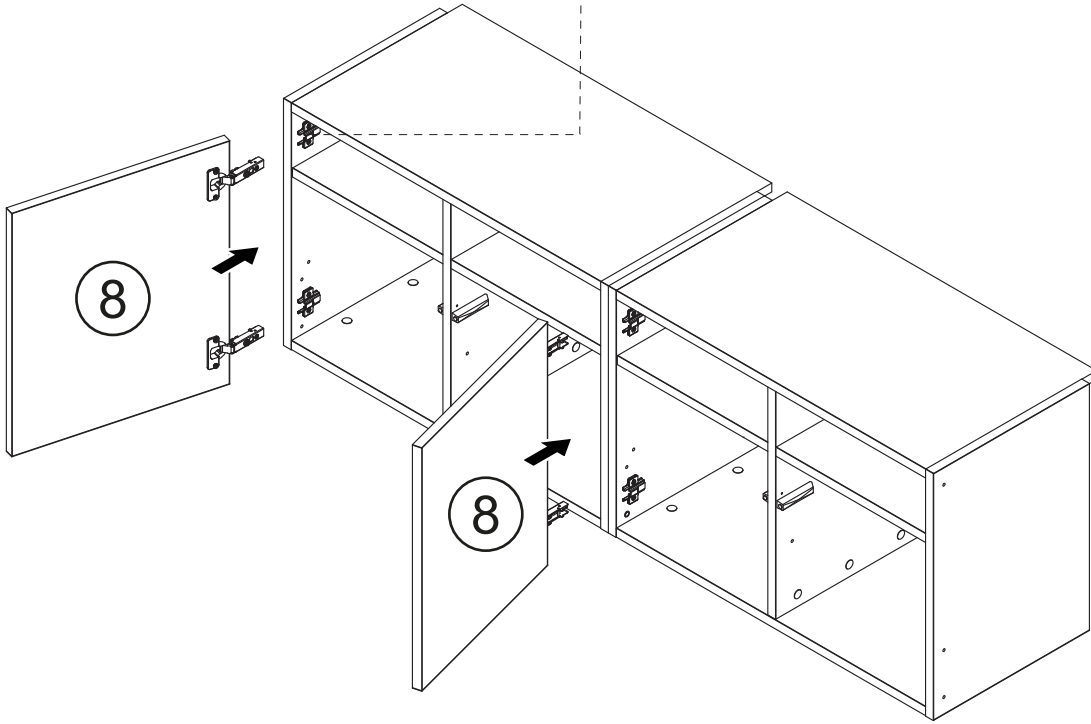
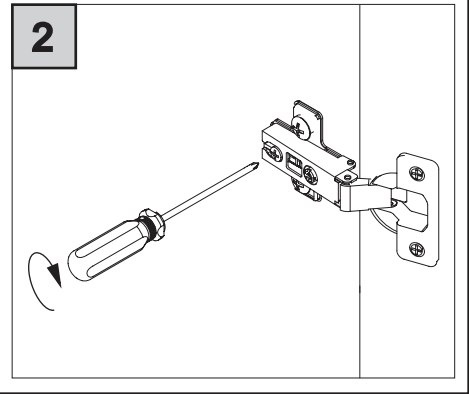
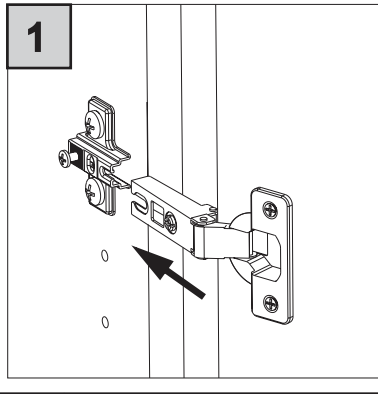
6a



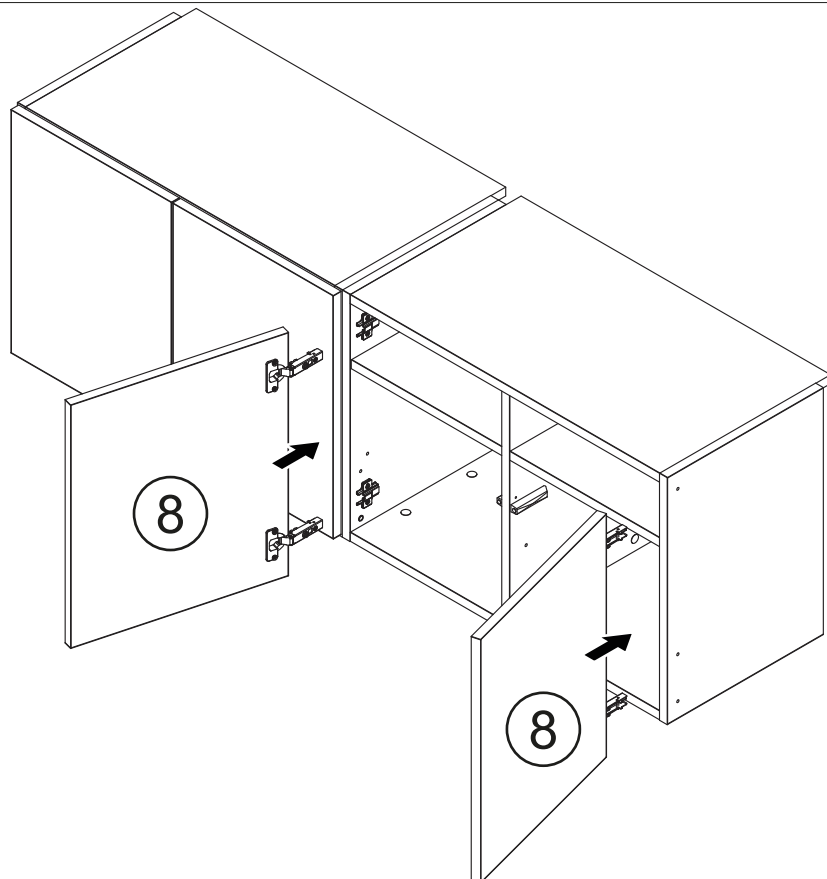
6b

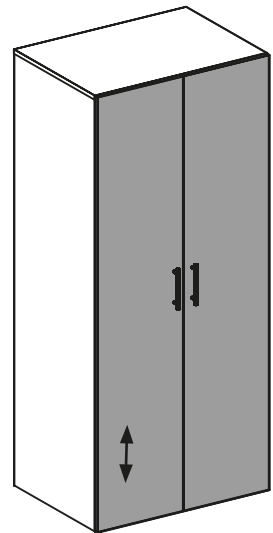
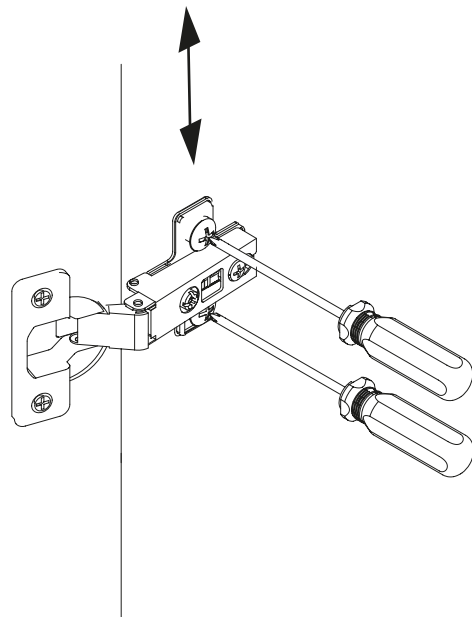
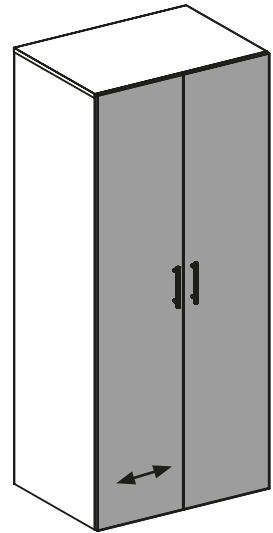
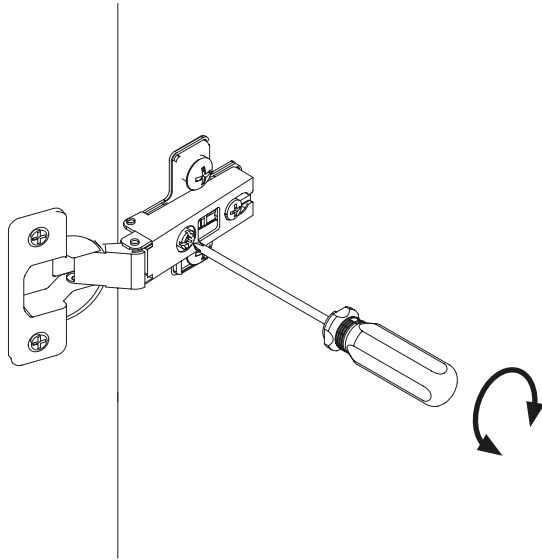
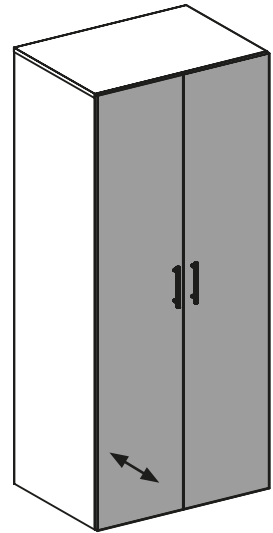
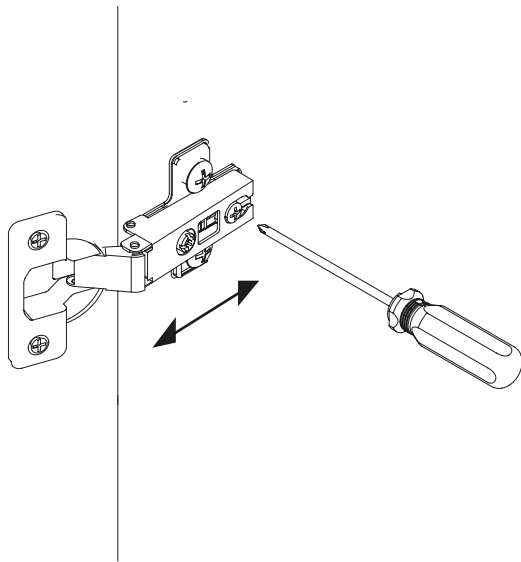


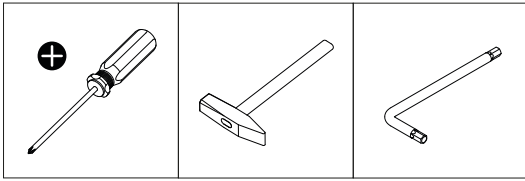
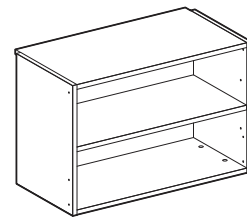
7b






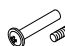




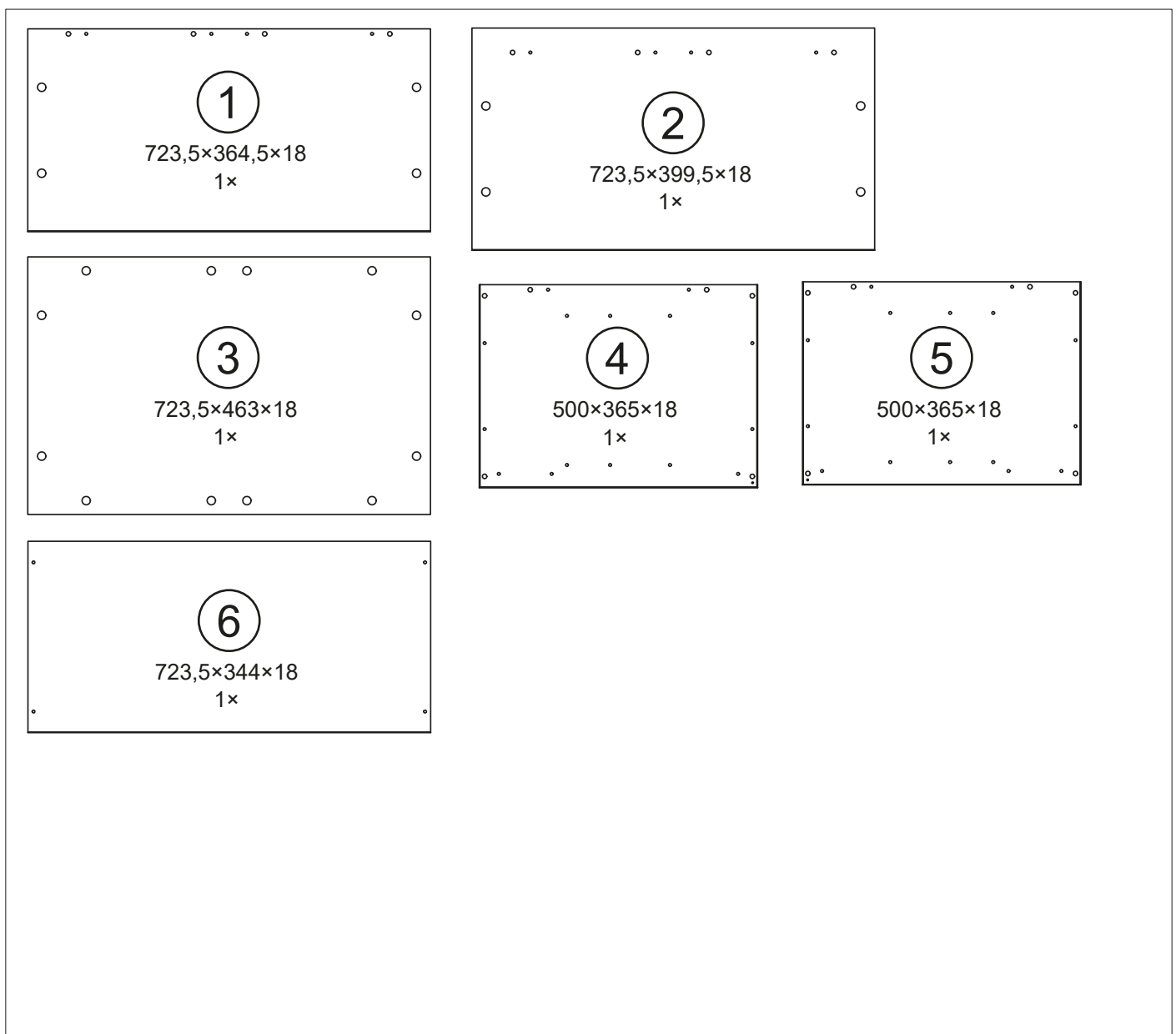
8b



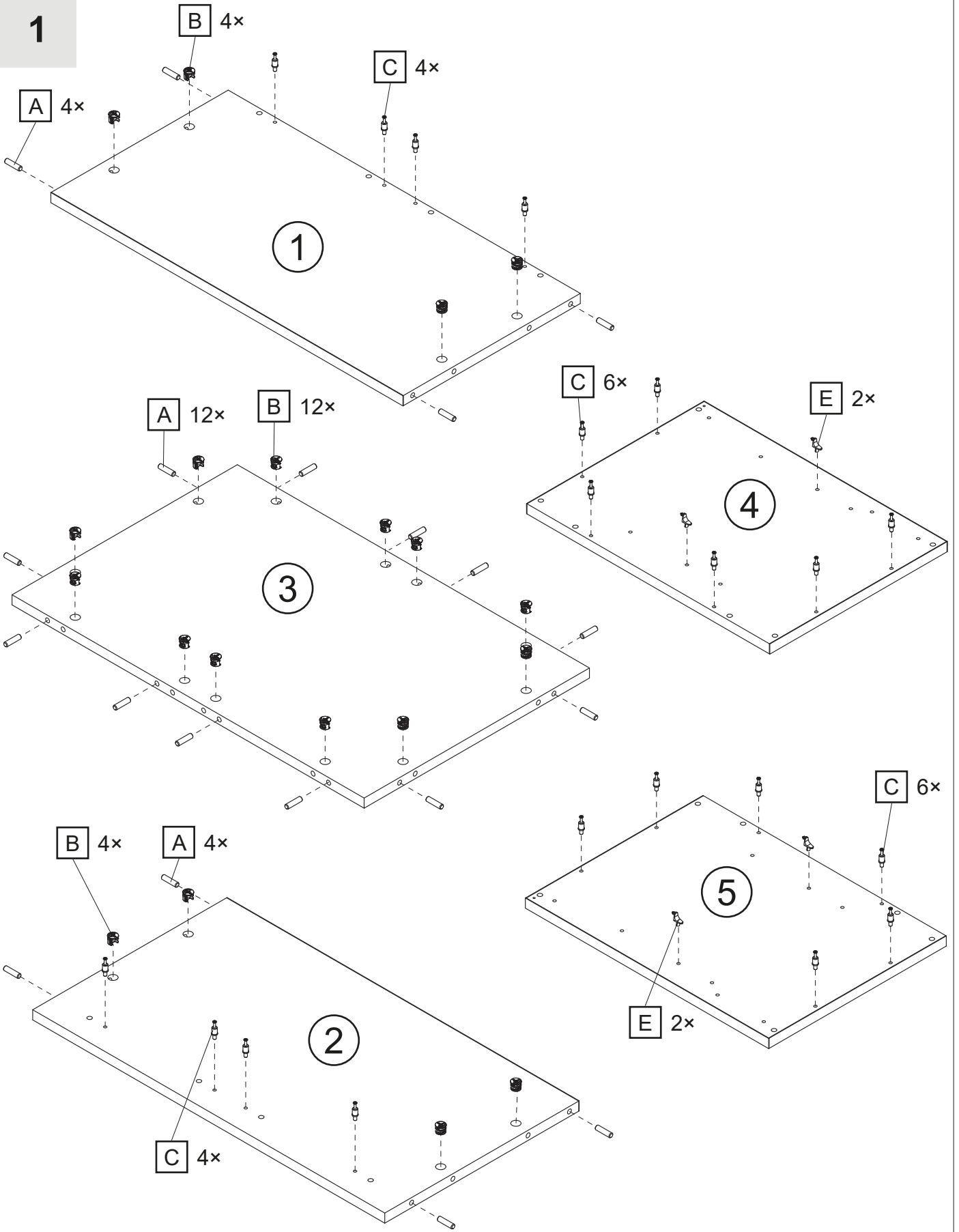




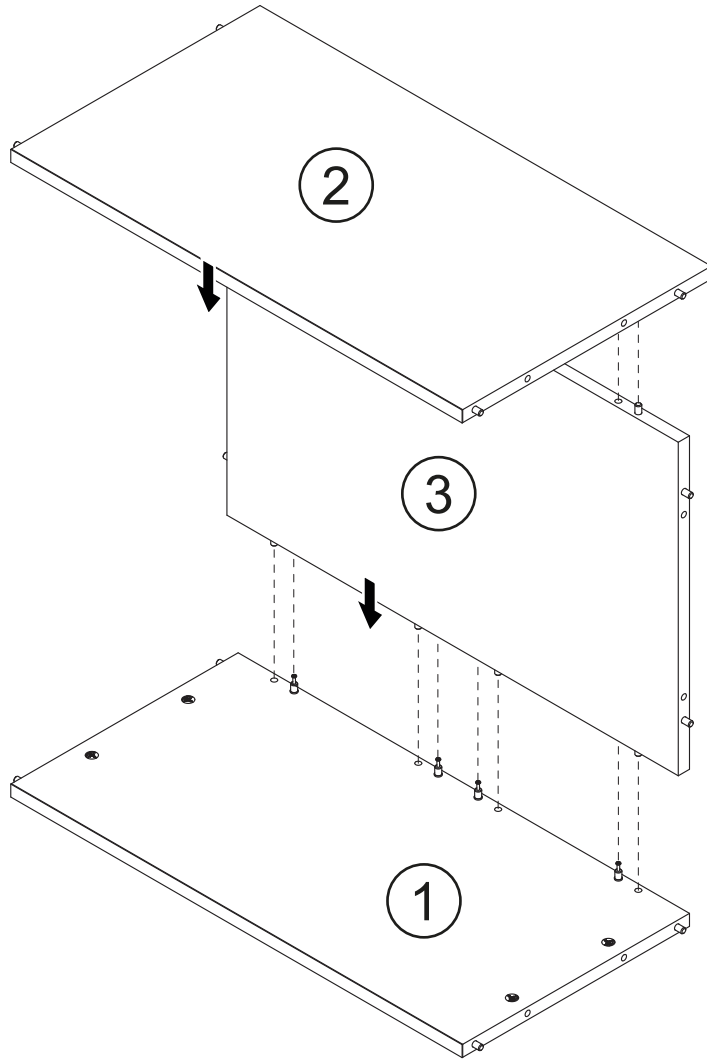
|   |   |   |   |   |   |   |   |
|---|---|---|---|---|---|---|---|
|  |  |  |  |  |  |  |  |
| Ø8 × 35   |   | Ø8 × 24   |   |   |   | M4 × 25   | Ø3,5 × 35   |
| A 20×   | B 20×   | C 20×   | D 20×   | E 4×  | F 2×  | G 2×  | H 4×  |



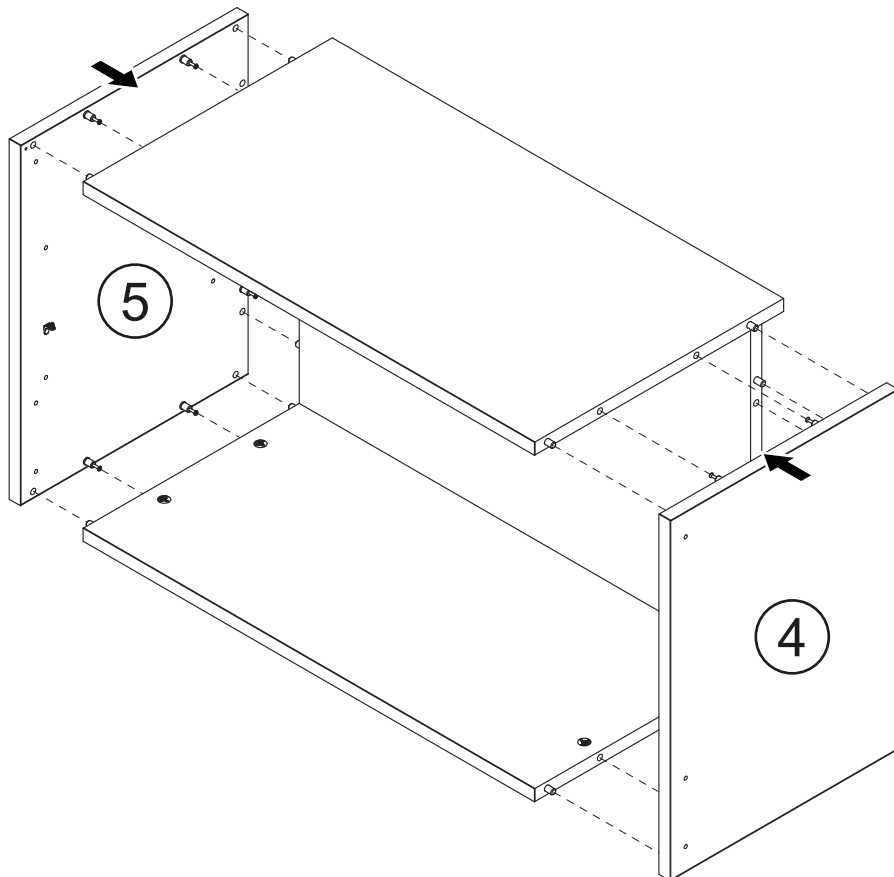
1



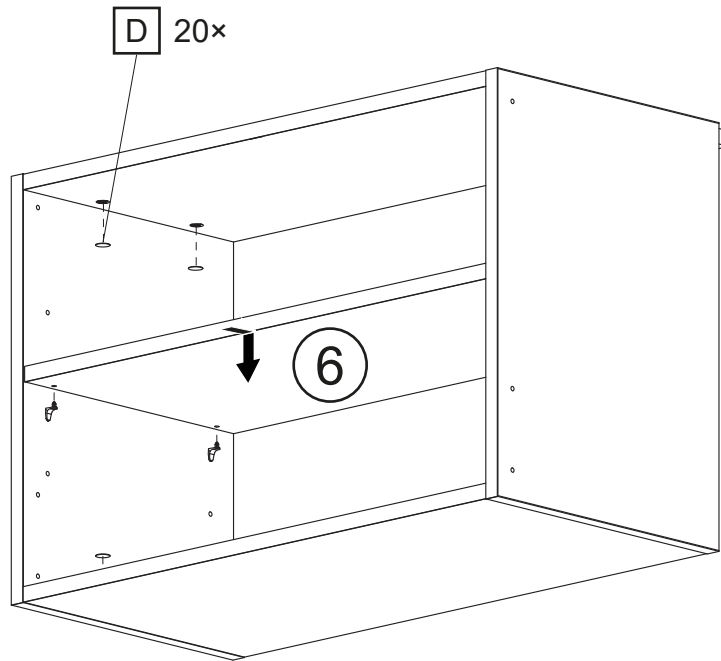
2



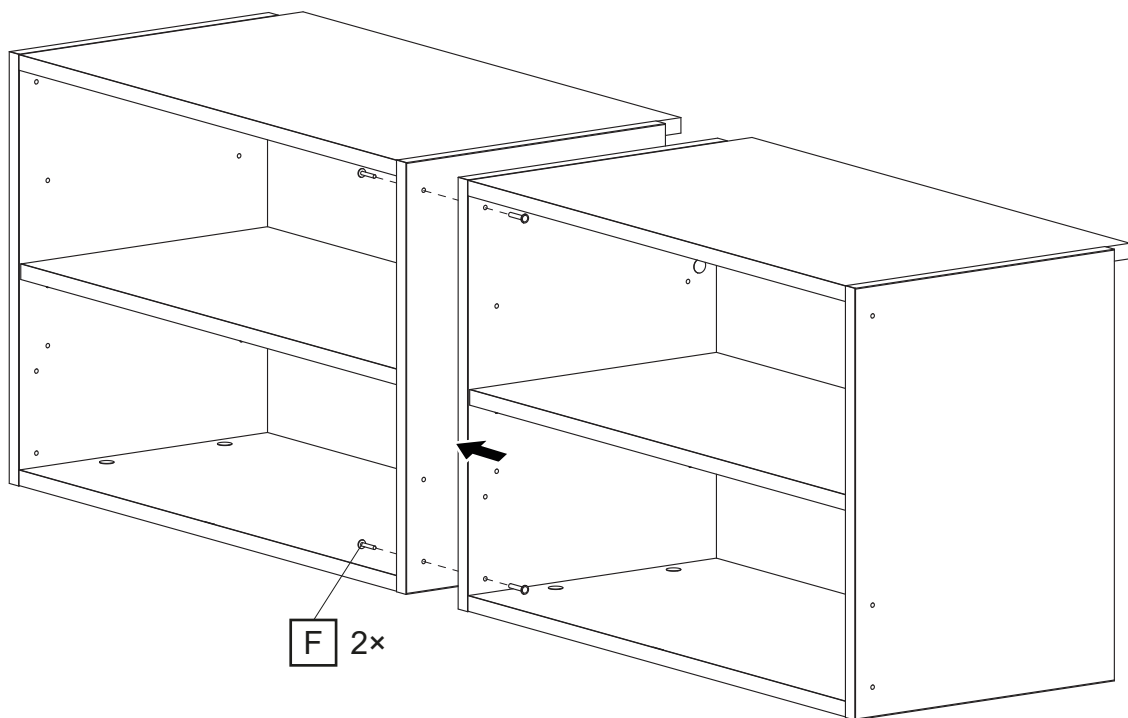
3

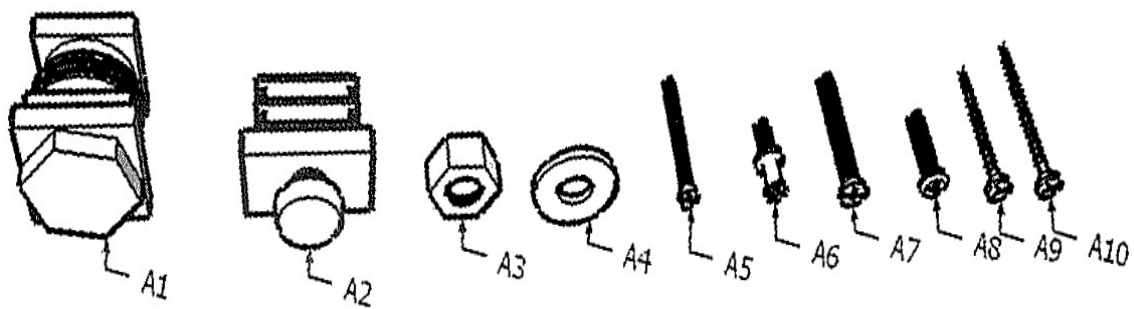


4



5





| 1  | 2  | 4  | A1 | A2 | A3 | A4 | A5  | A6  | A7 | A8  | A9  | A10 |
|----|----|----|----|----|----|----|-----|-----|----|-----|-----|-----|
| 3x | 3x | 1x | 2x | 6x | 2x | 2x | 12x | 16x | 4x | 12x | 12x | 12x |

