

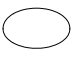







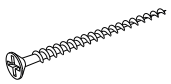
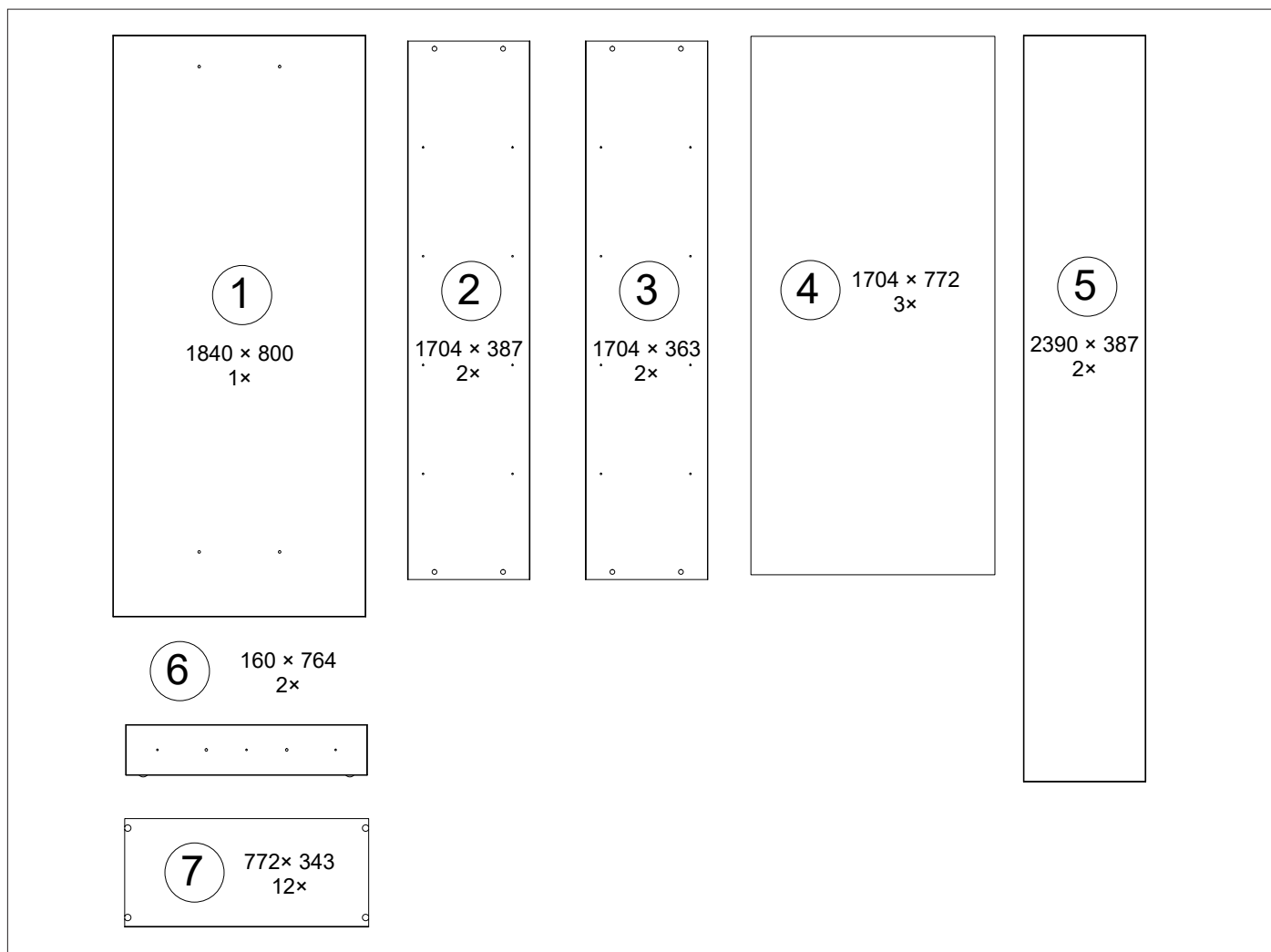
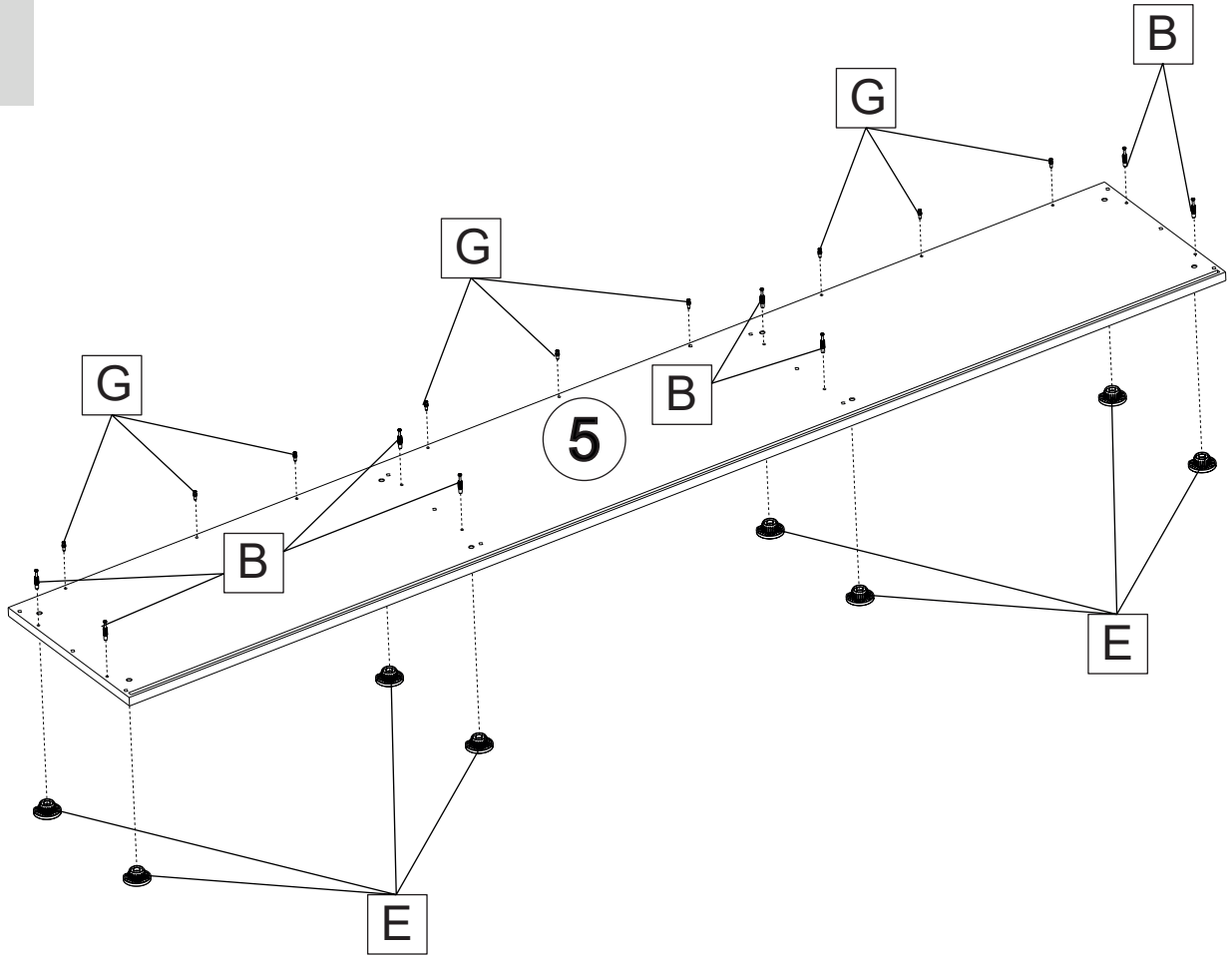
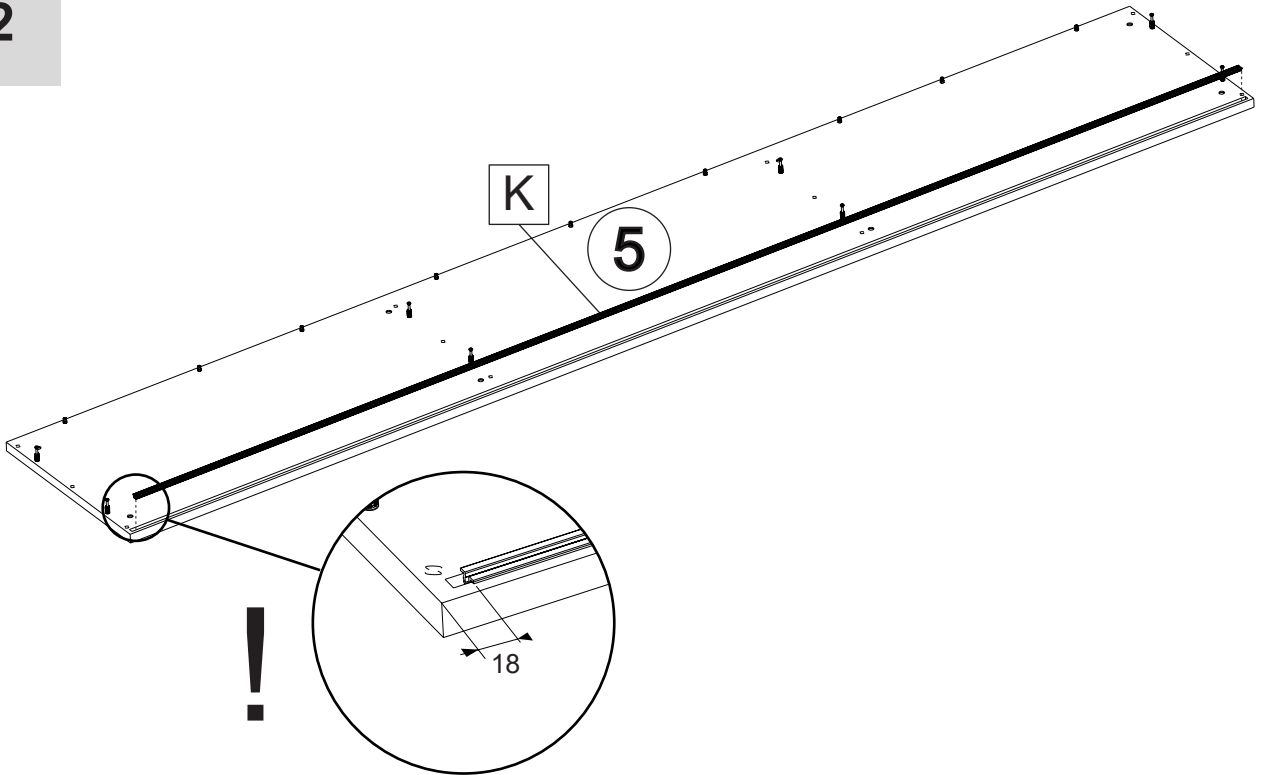
 Ø8 × 35							 Ø3,5 × 16
A 28×	B 16×	C 16×	D 16×	E 8×	F 84×	G 84×	H 12×
				 Ø3,5 × 30			
I 2×	J 2×	K 2×	K 6×				



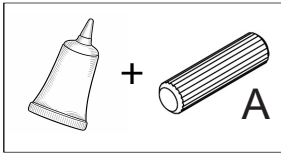
1



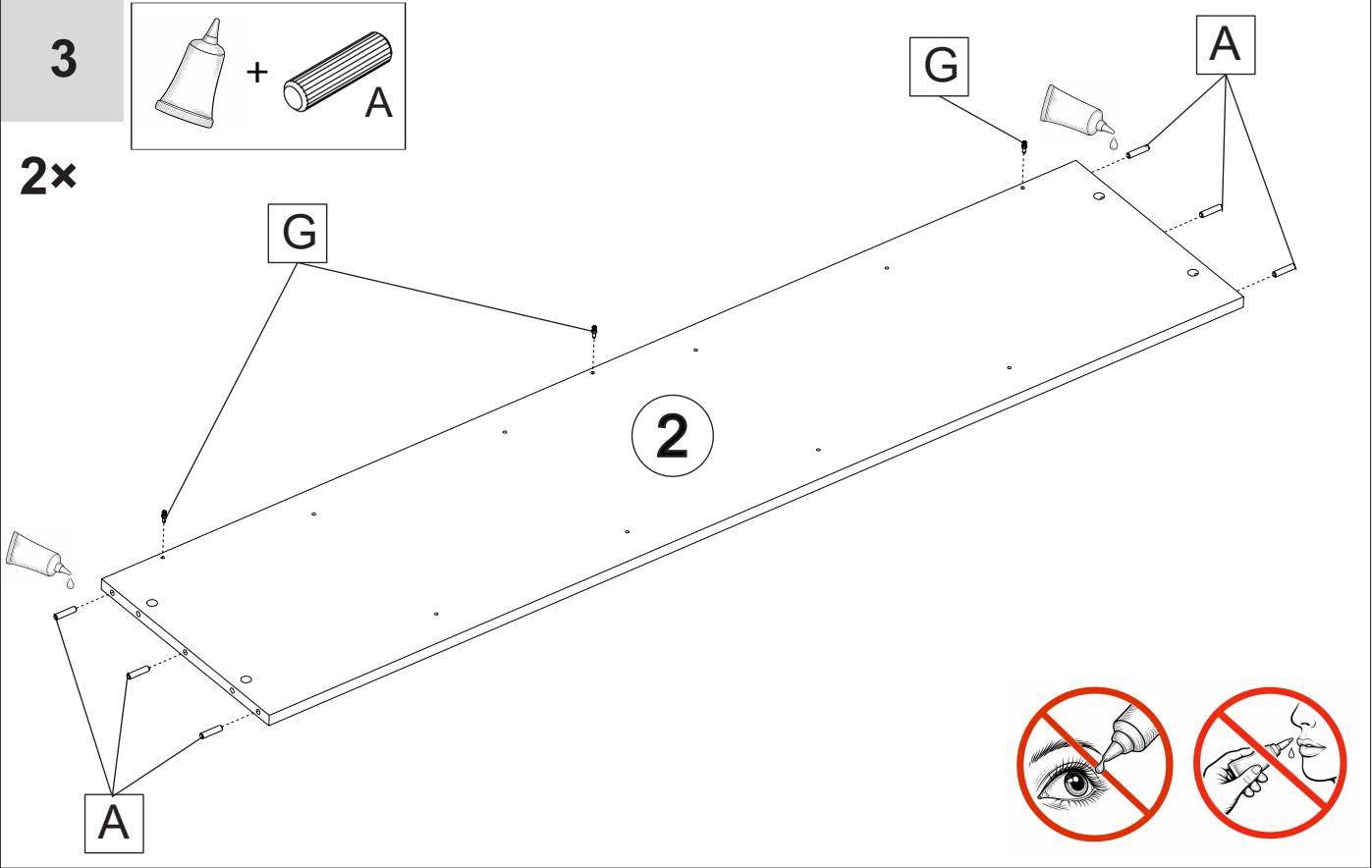
2



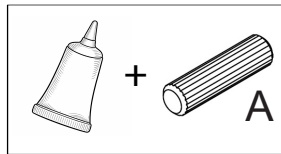
3



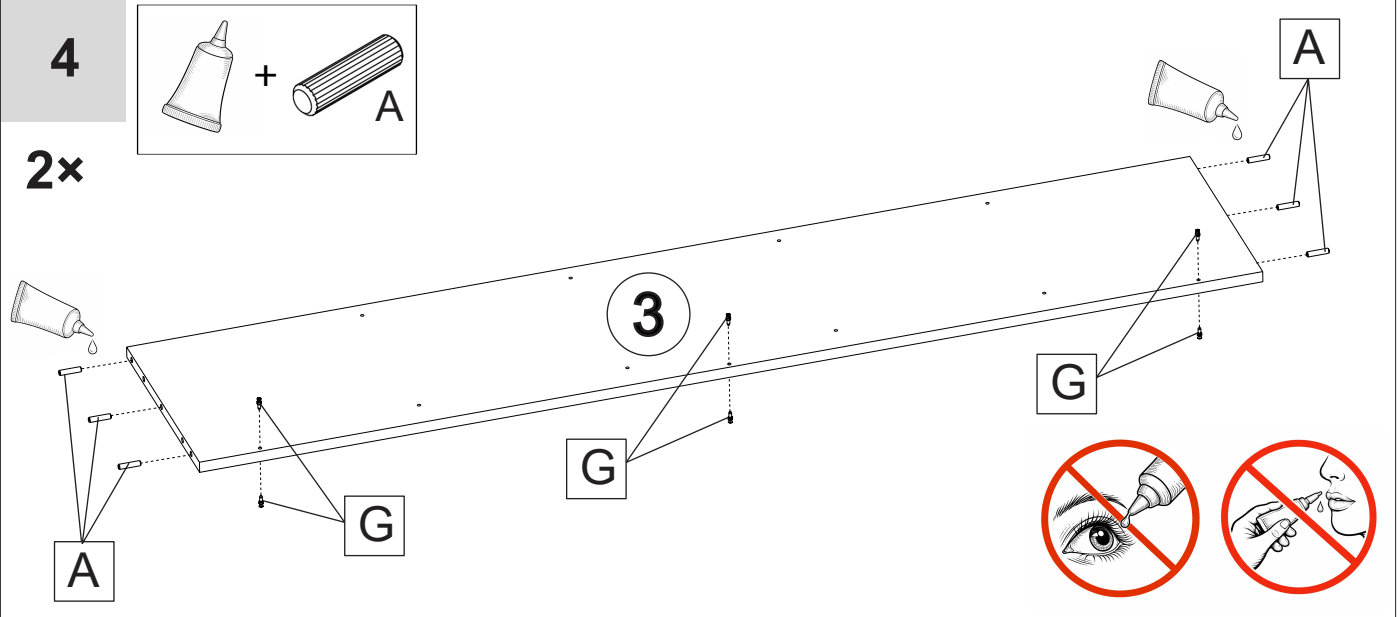
2x



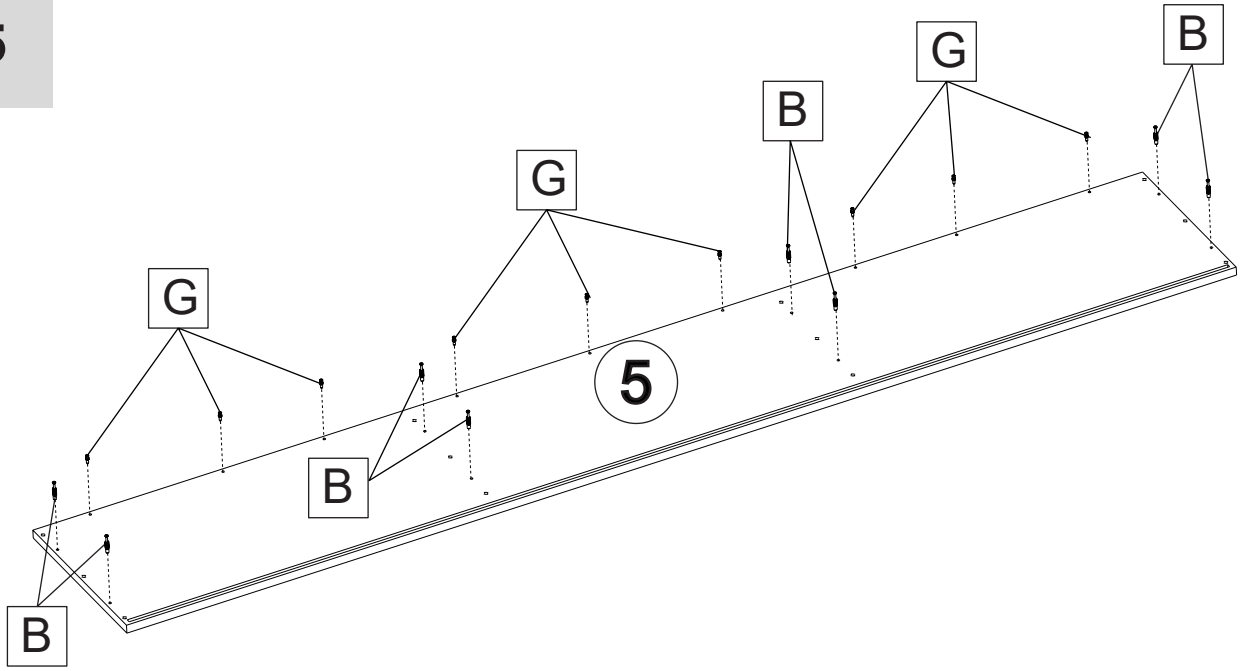
4



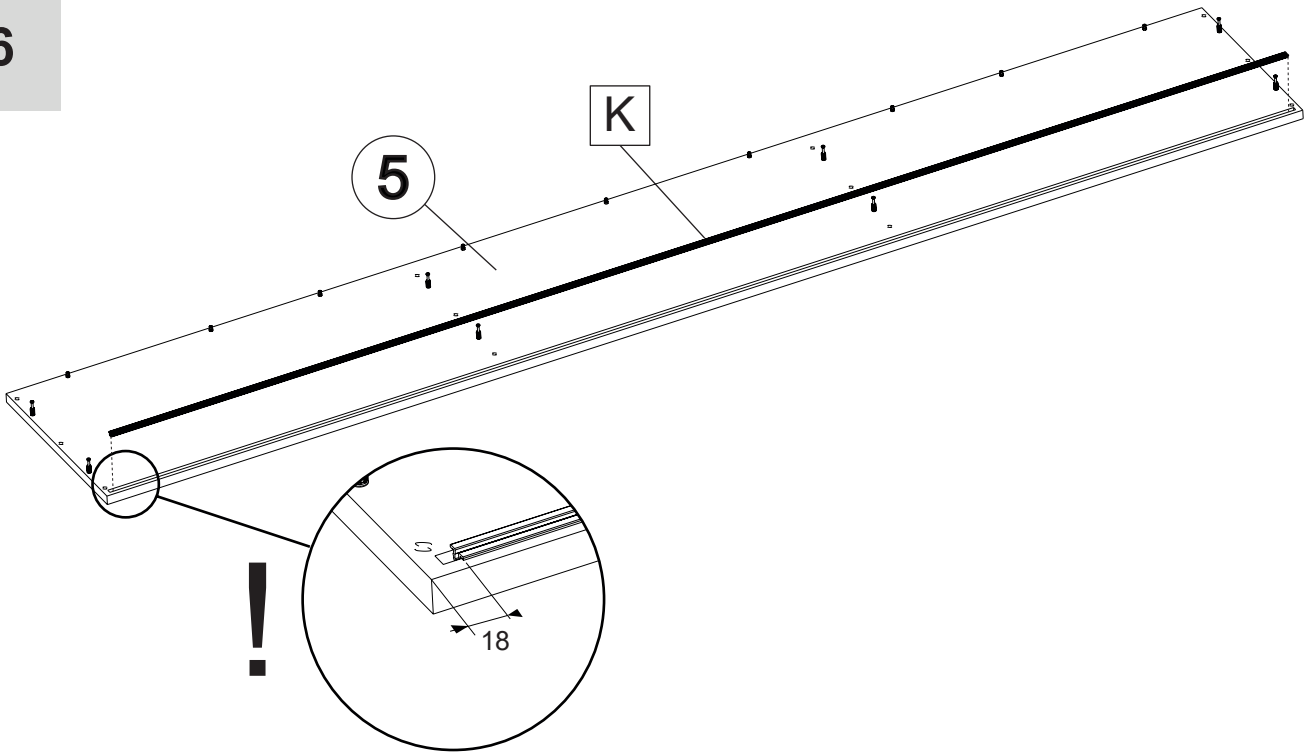
2x



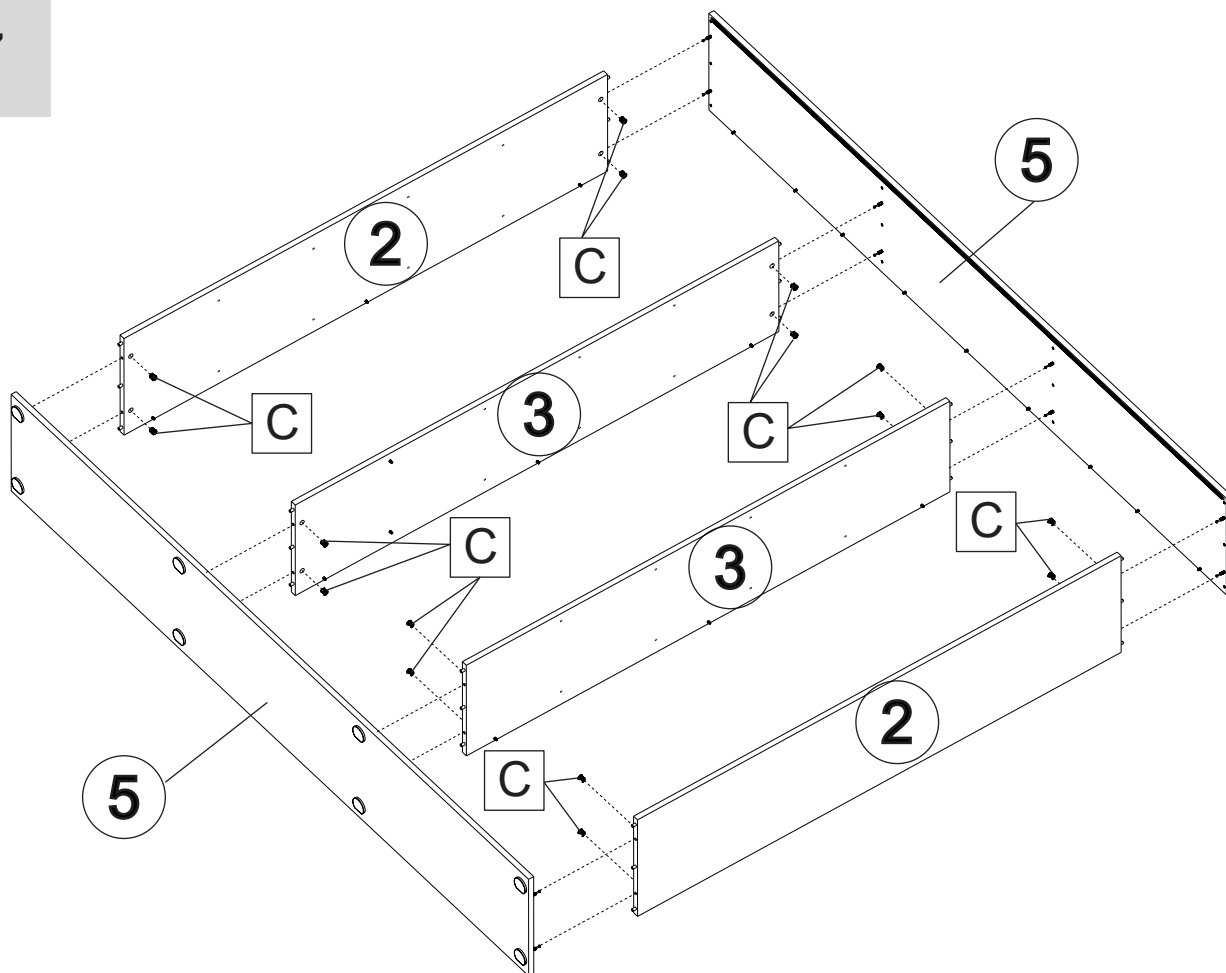
5



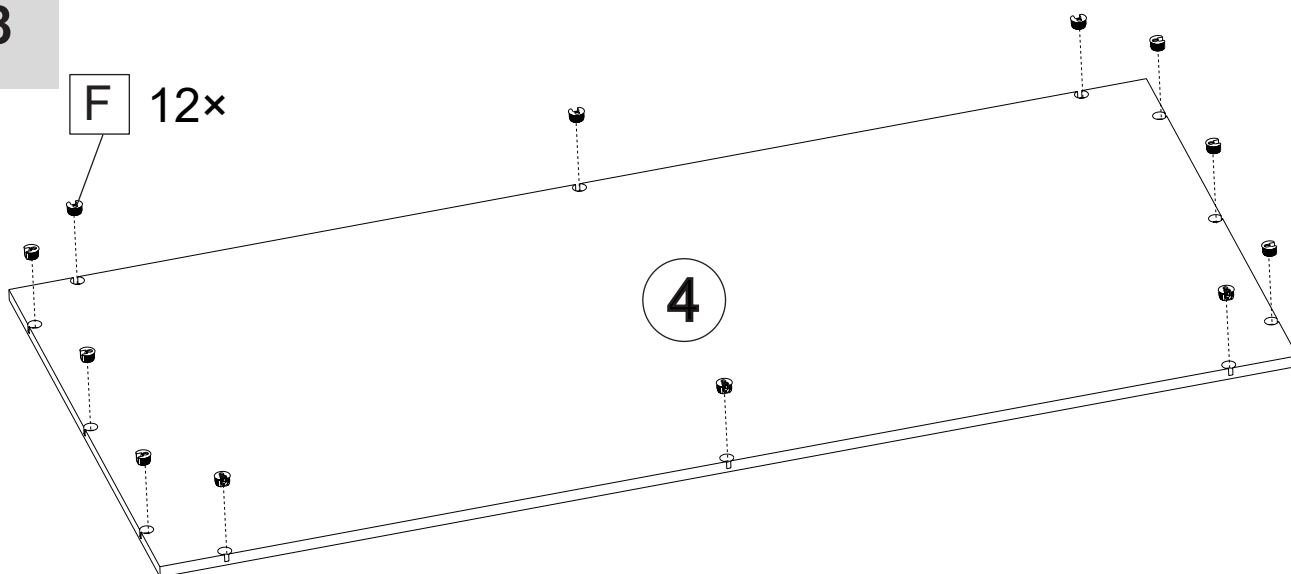
6



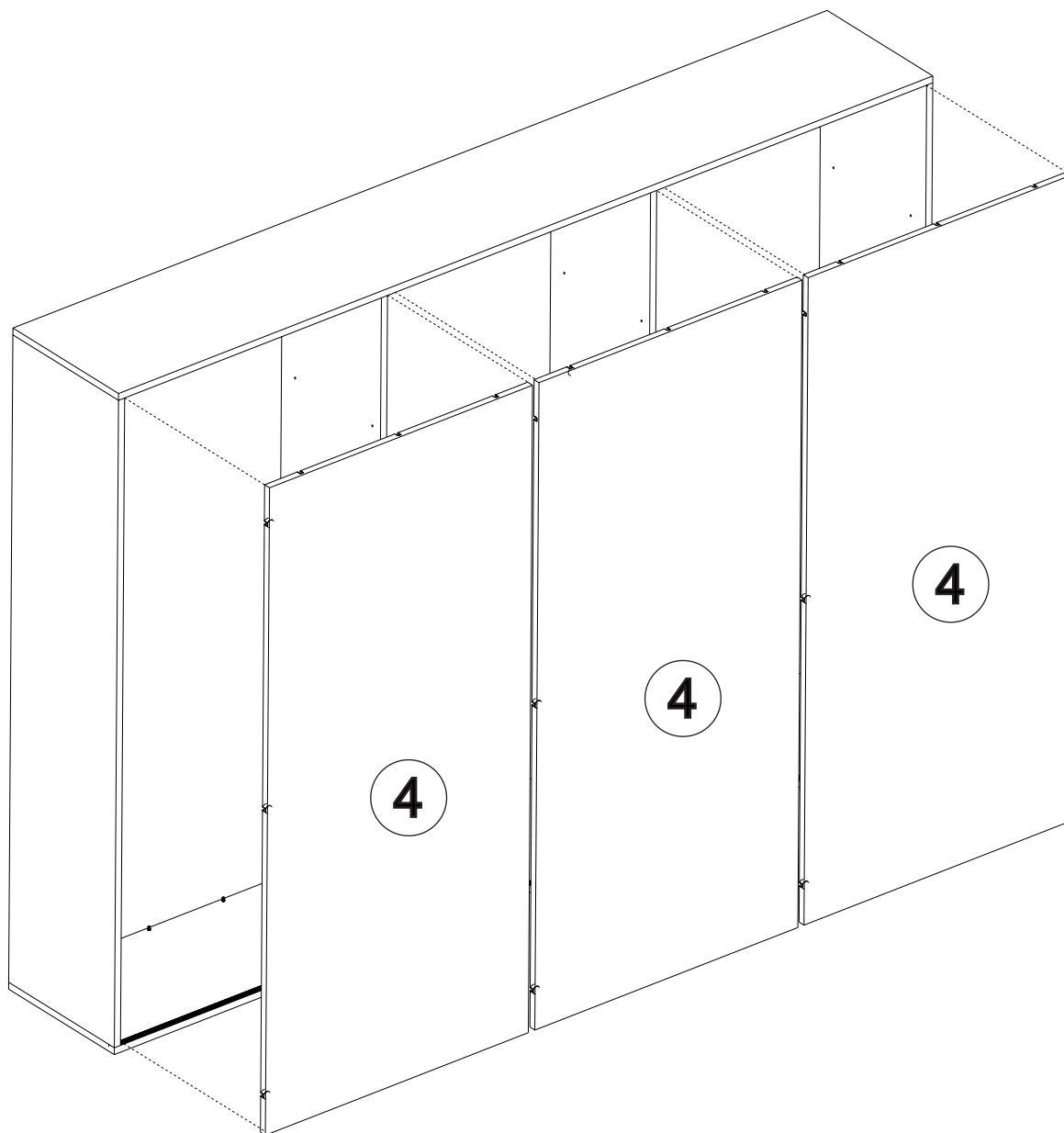
7



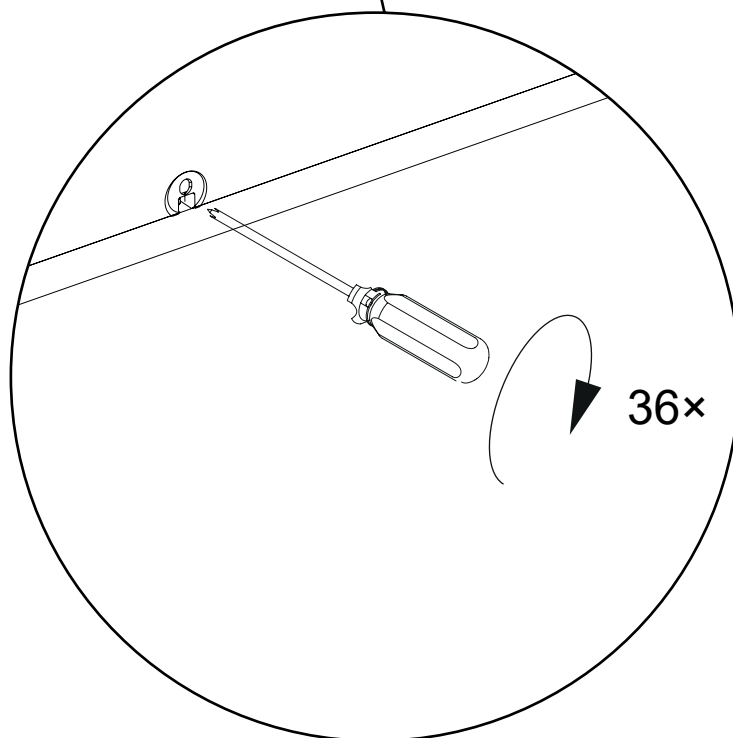
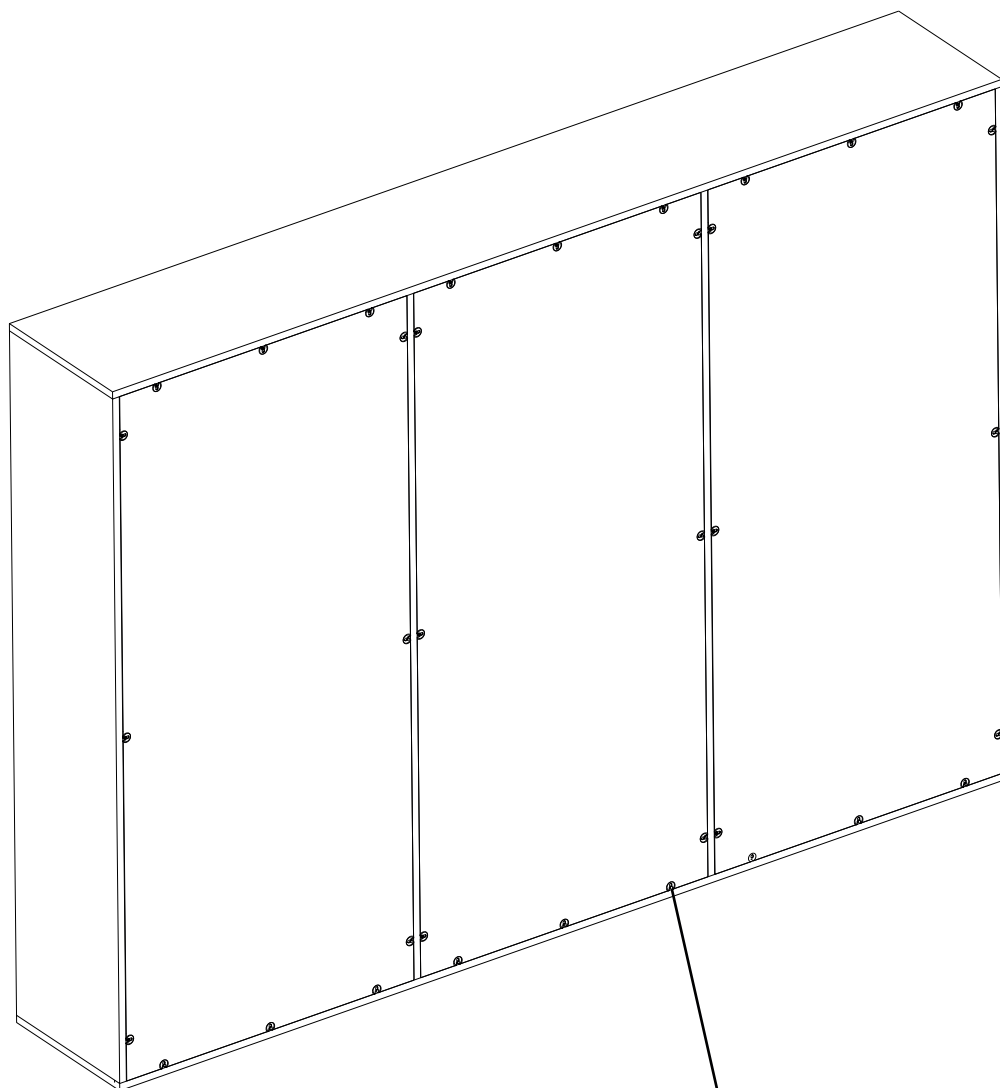
8



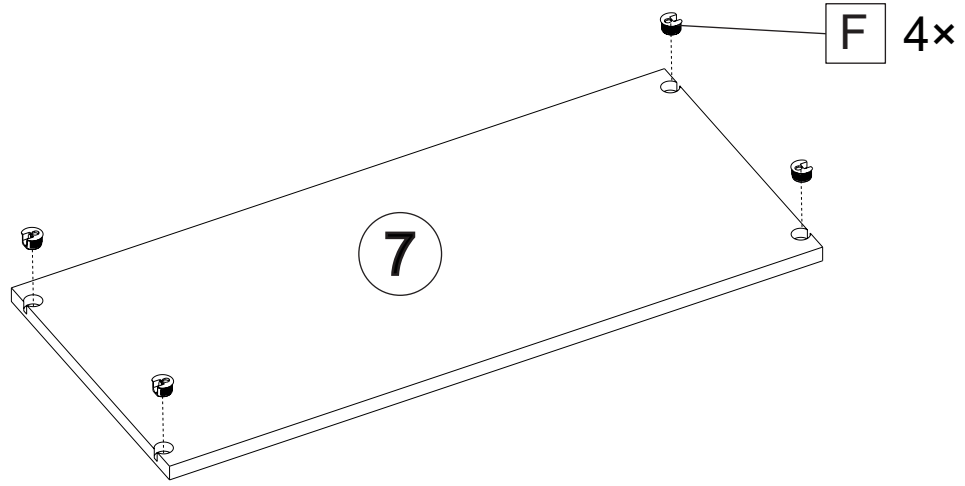
9



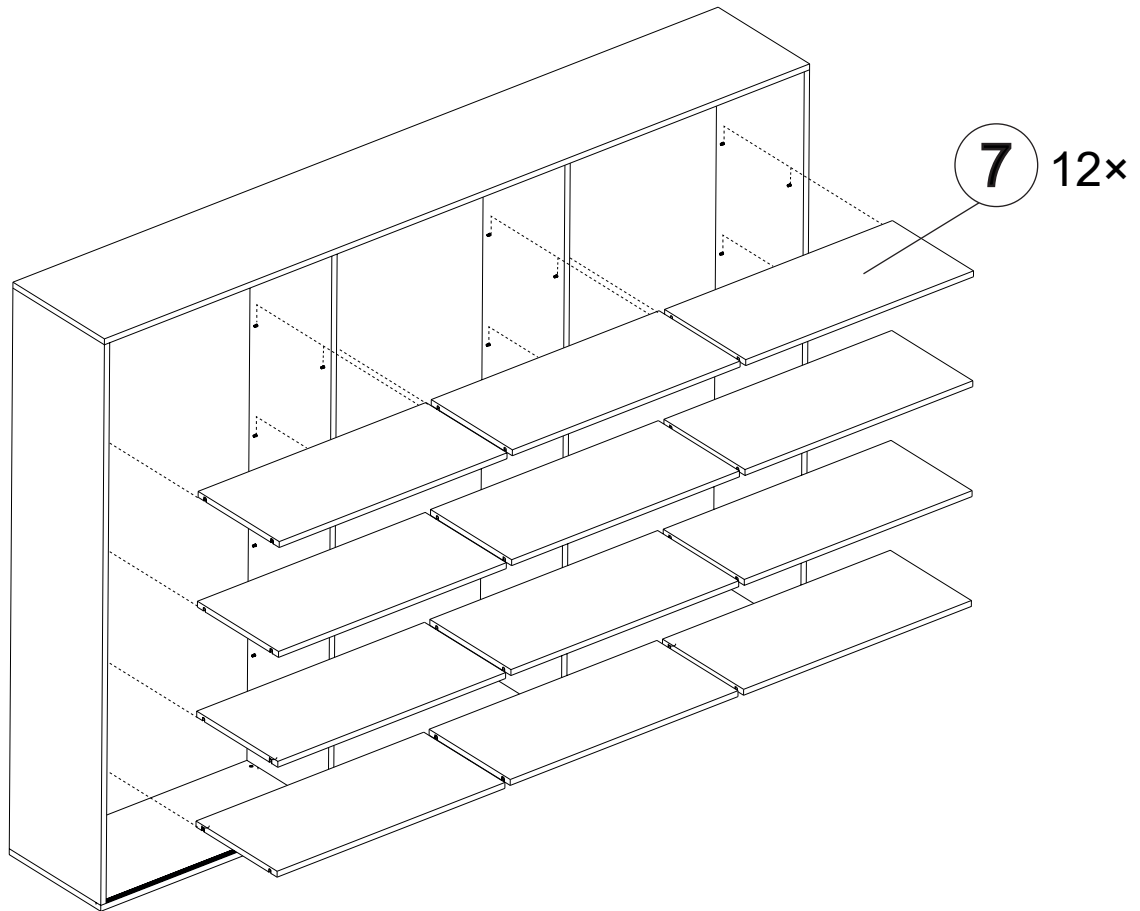
10



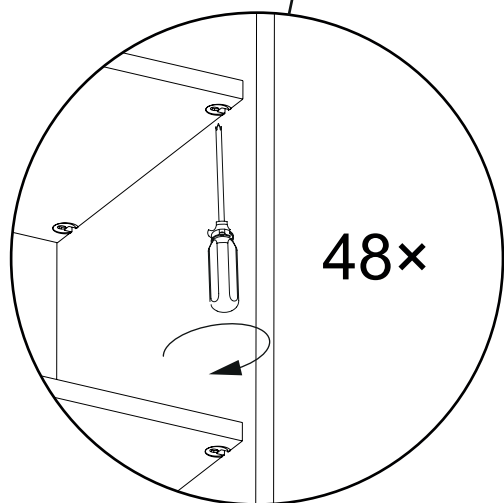
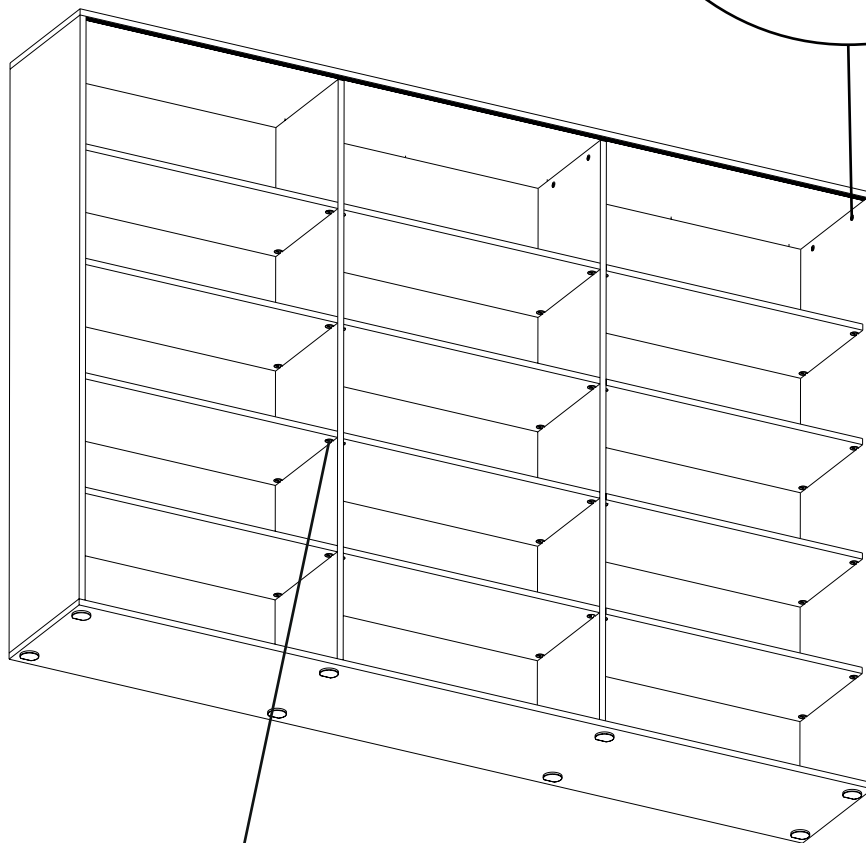
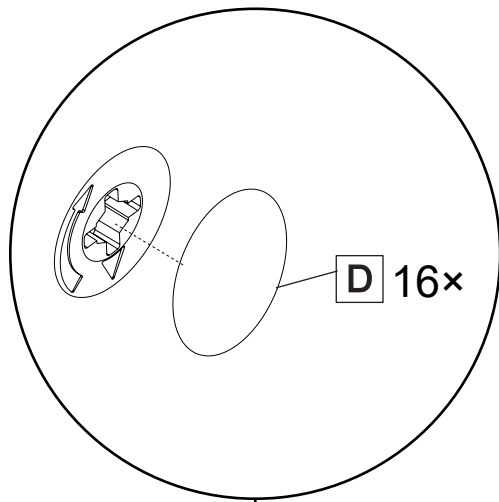
11



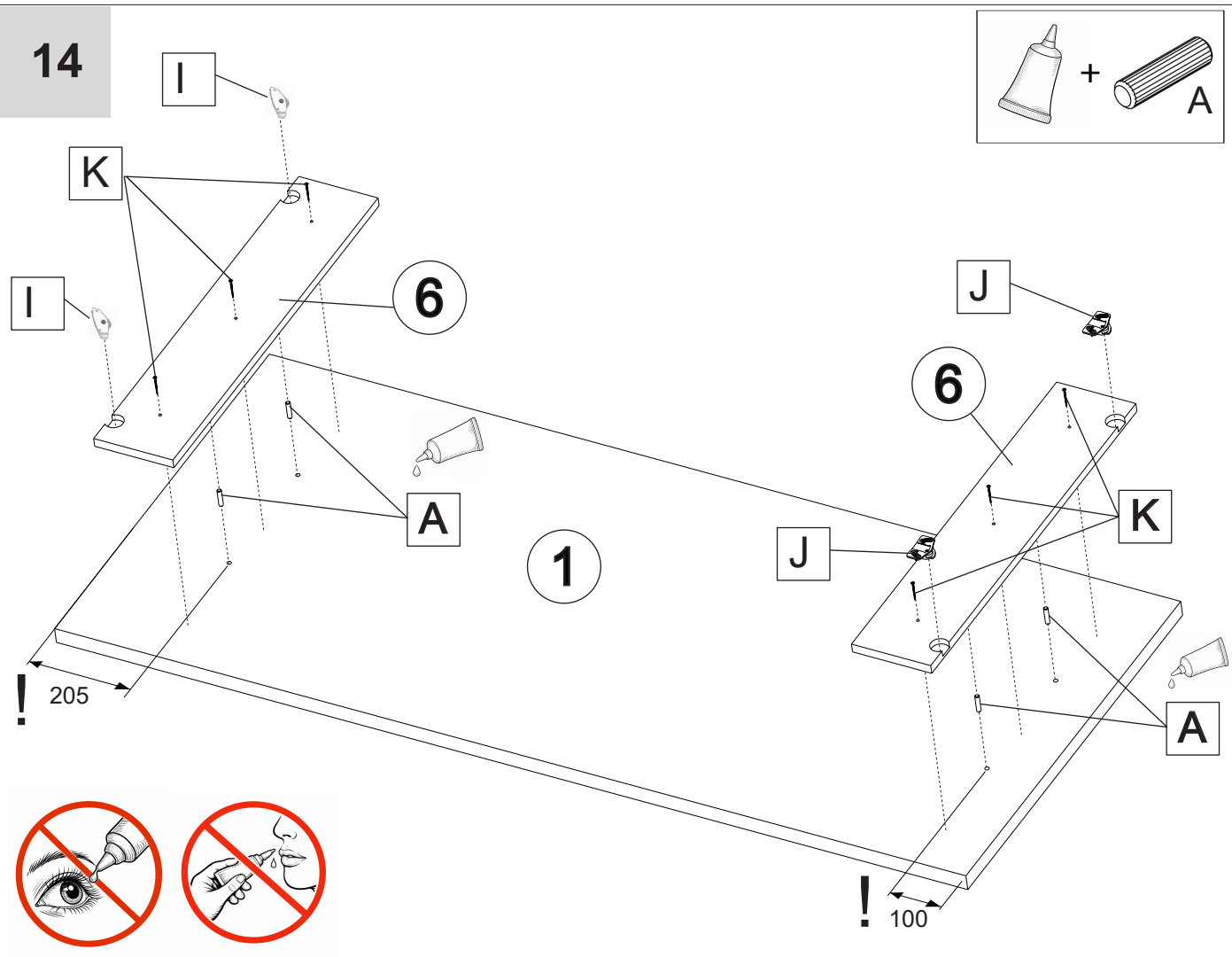
12



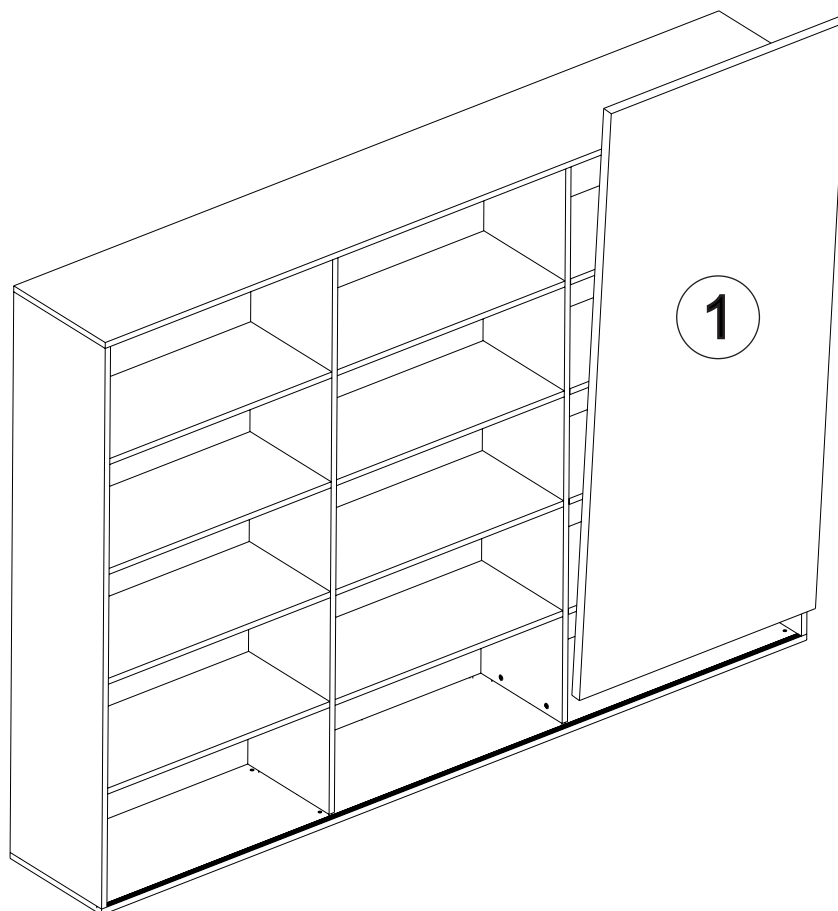
13



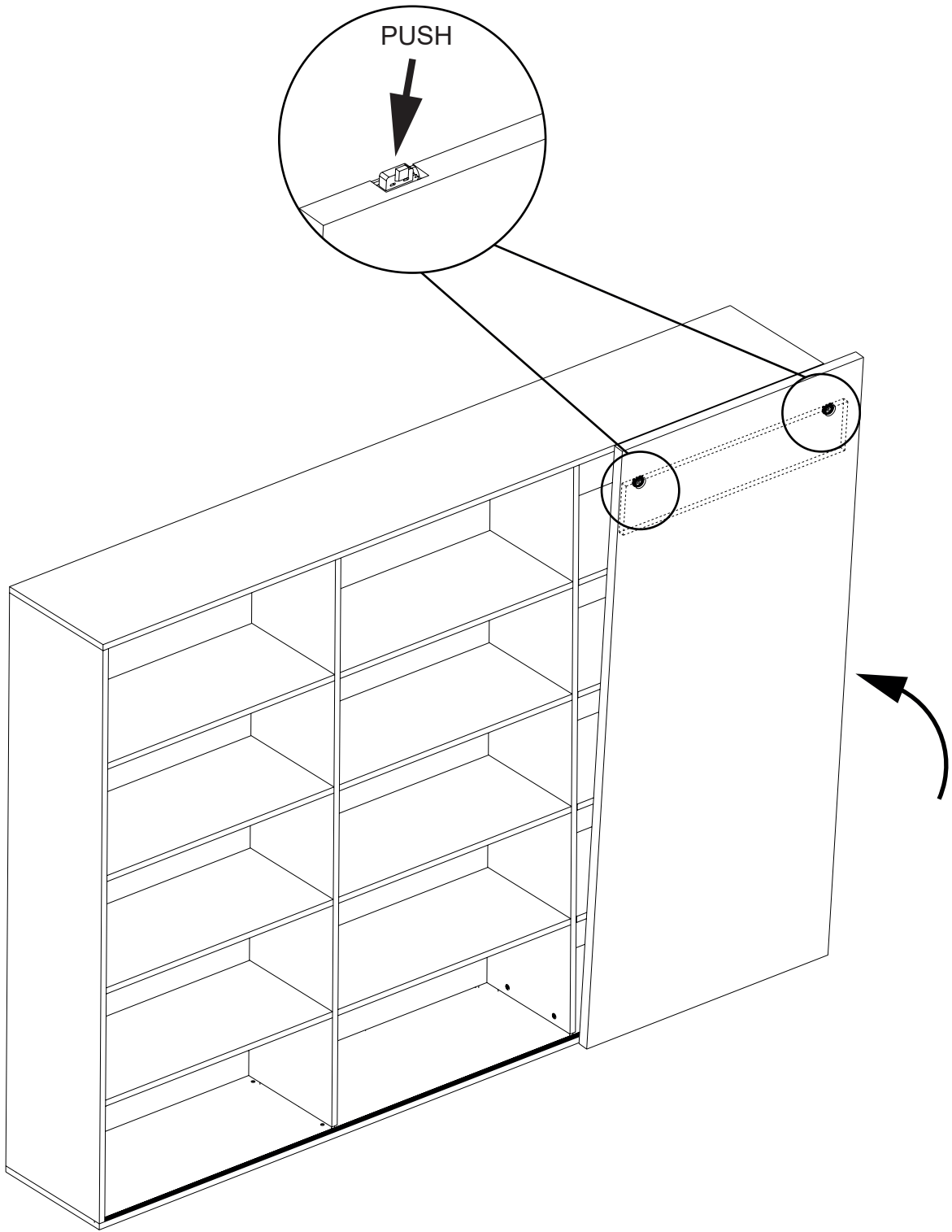
14



15



16



17

6x

