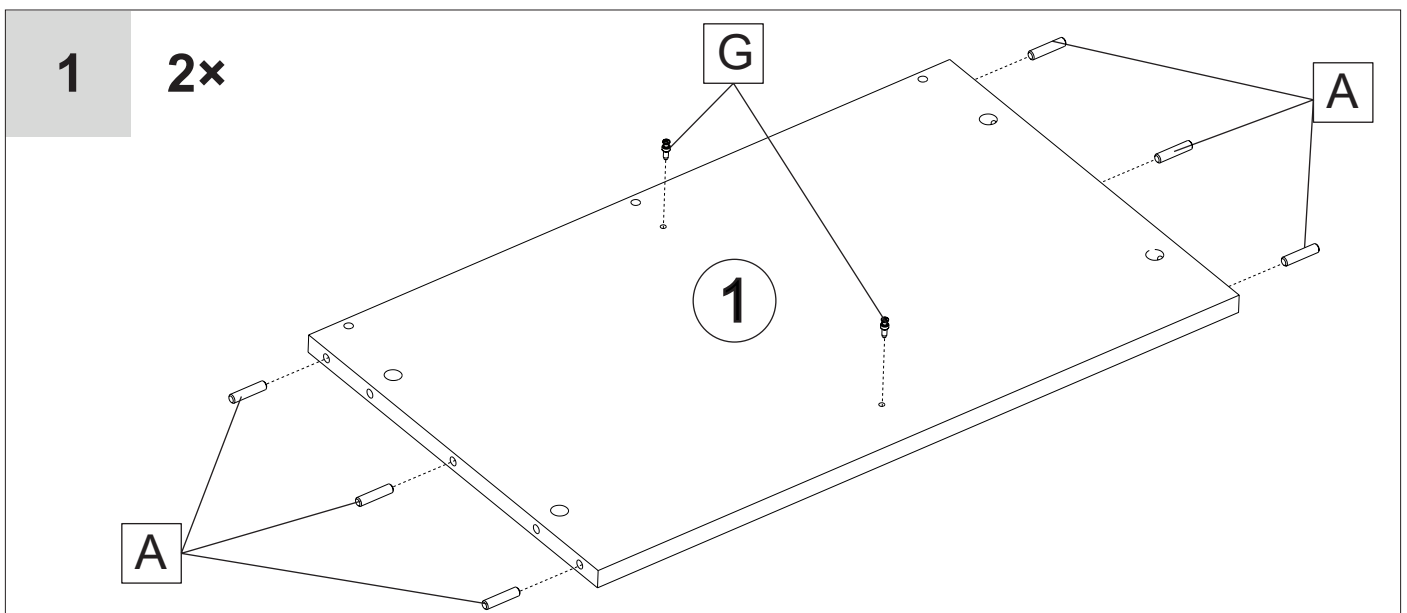
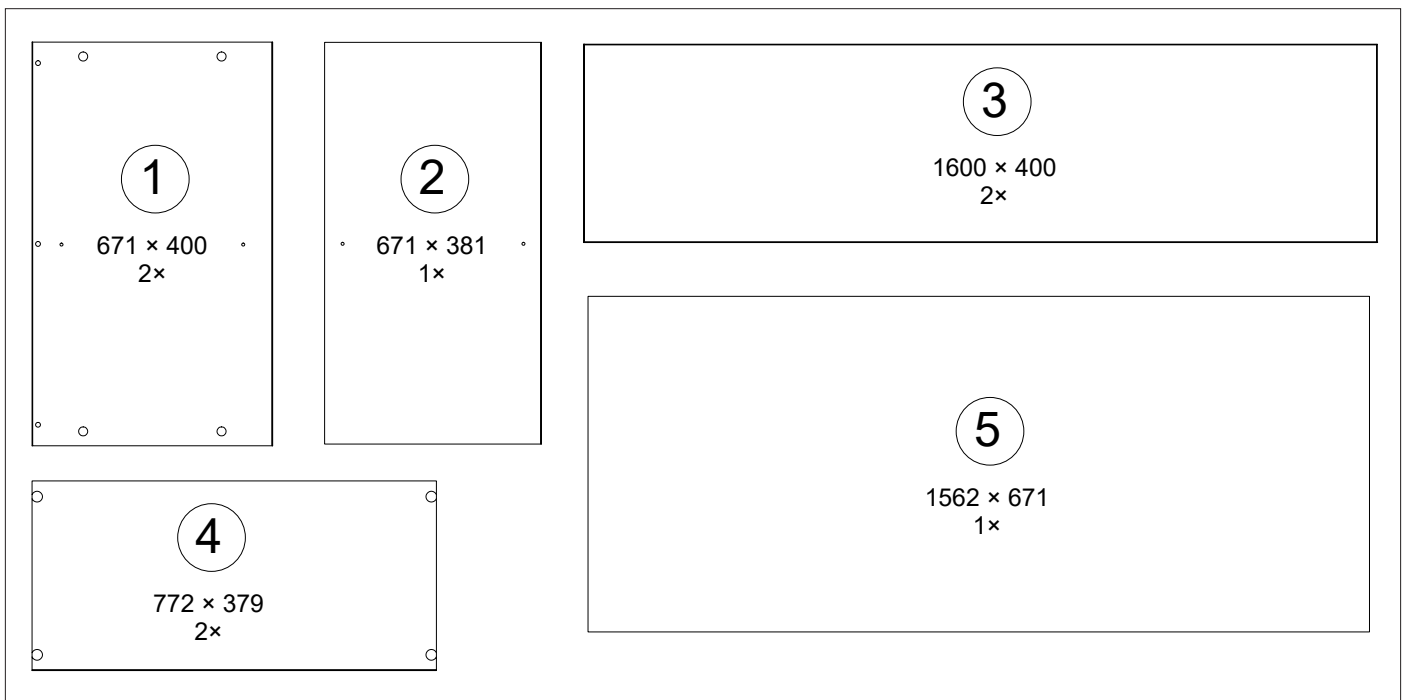
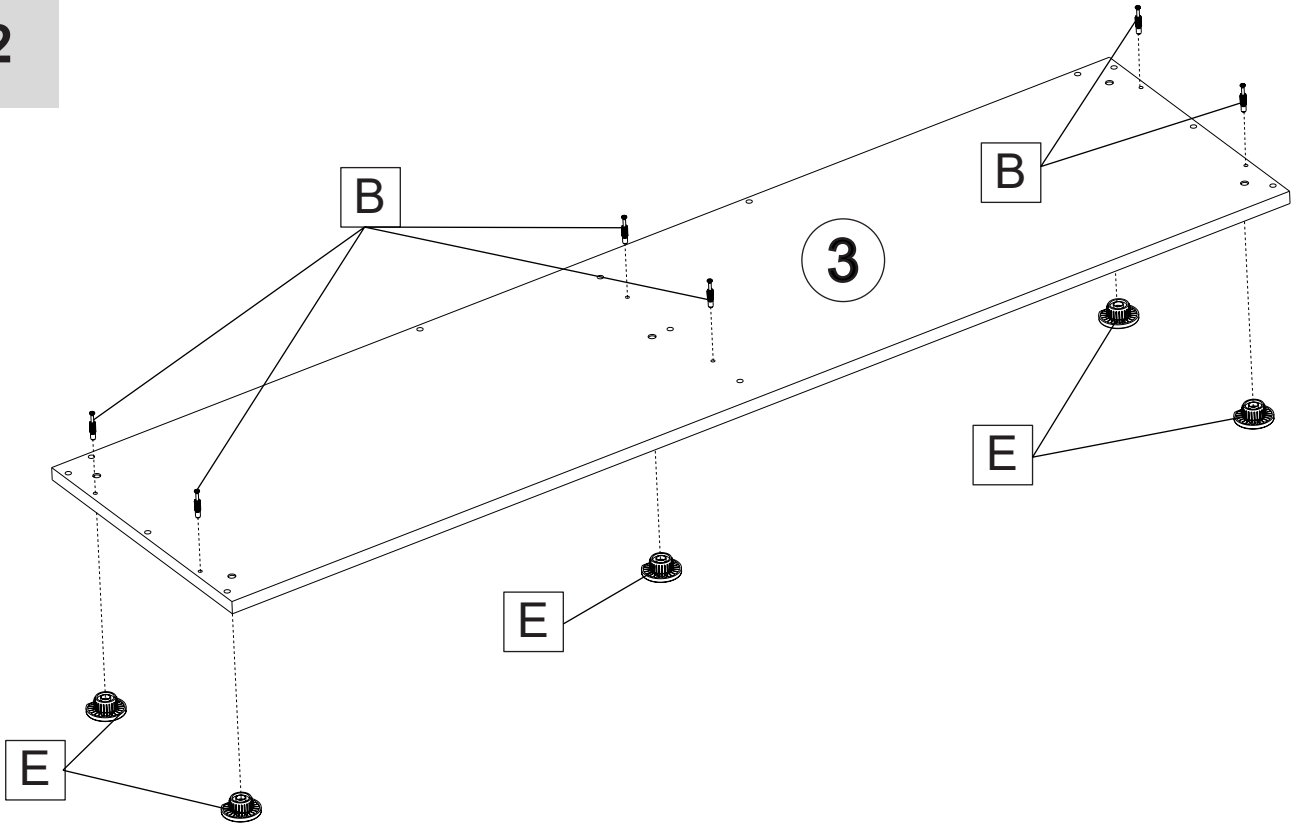
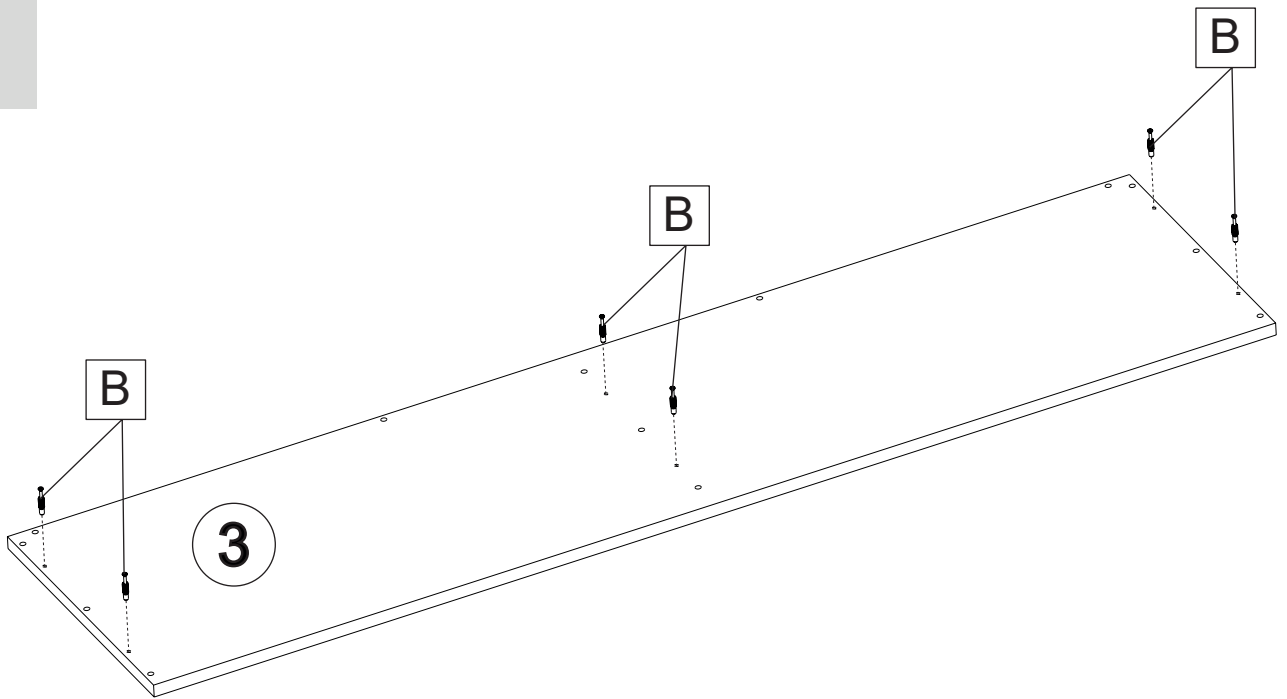

Ø8 × 35						
A 32×	B 12×	C 12×	D 12×	E 5×	F 8×	G 8×



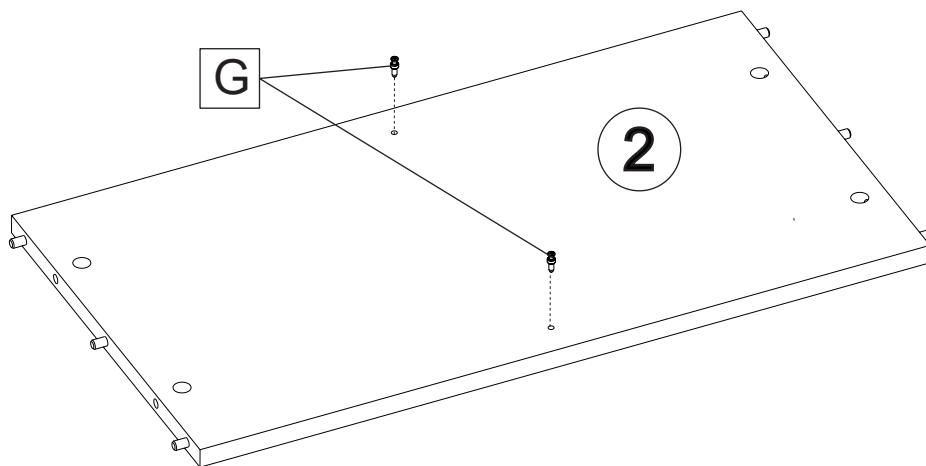
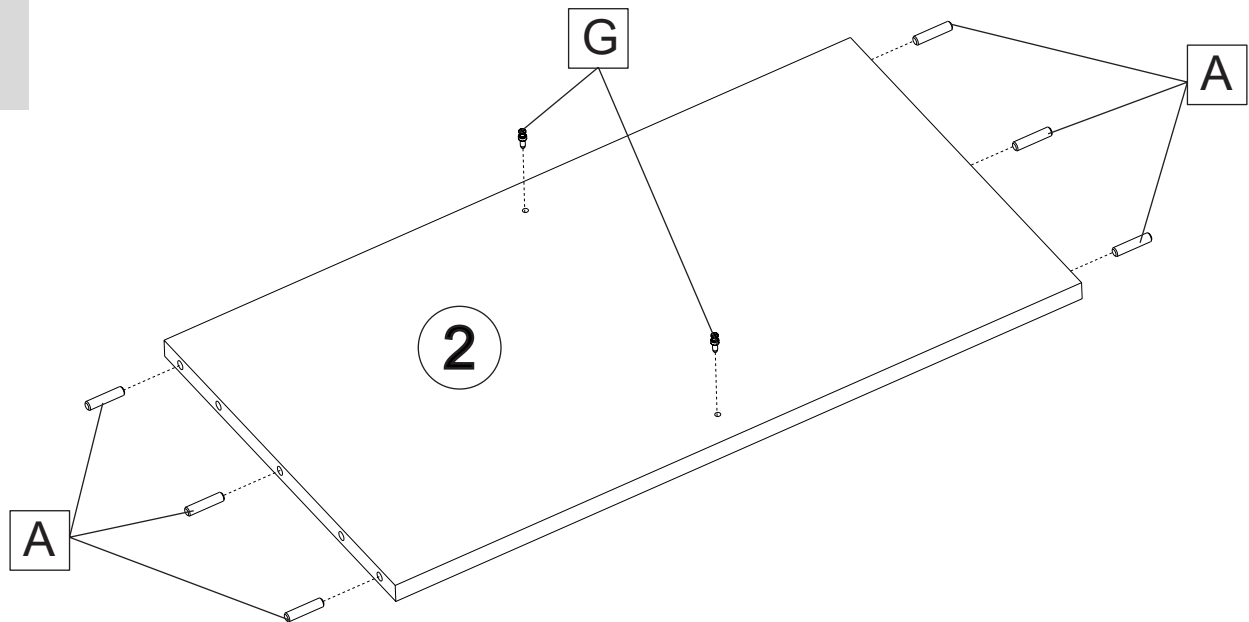
2



3

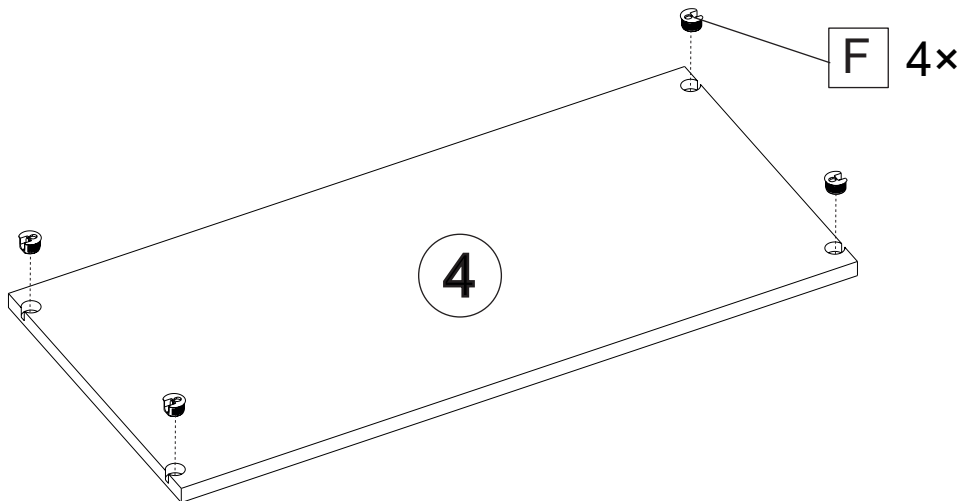


4



5

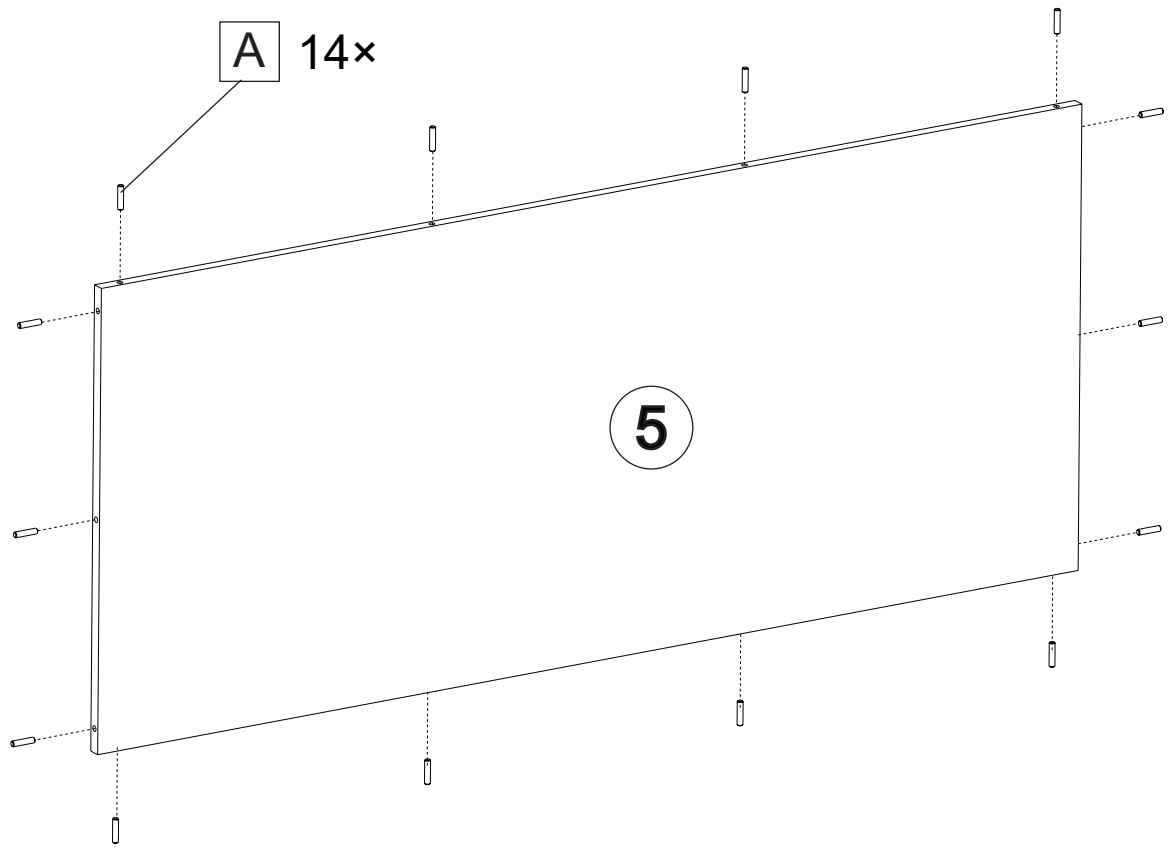
2x



6

A 14x

5

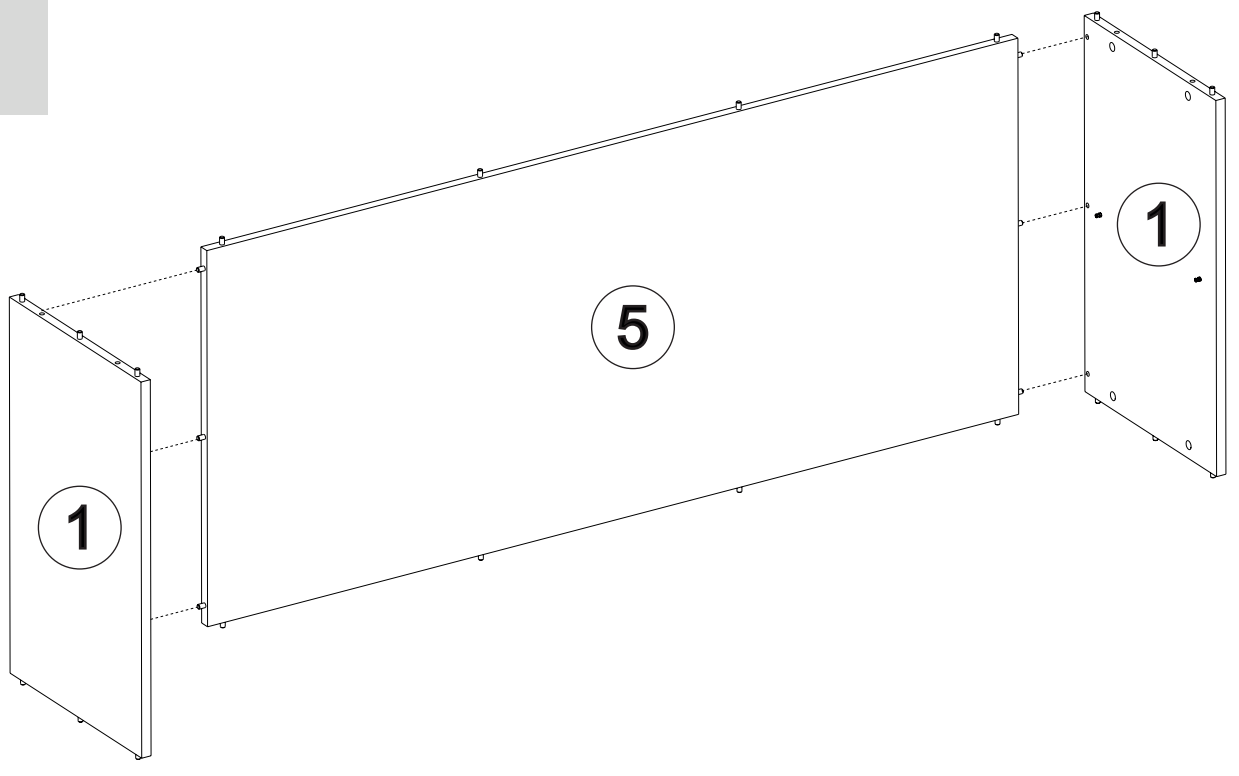


7

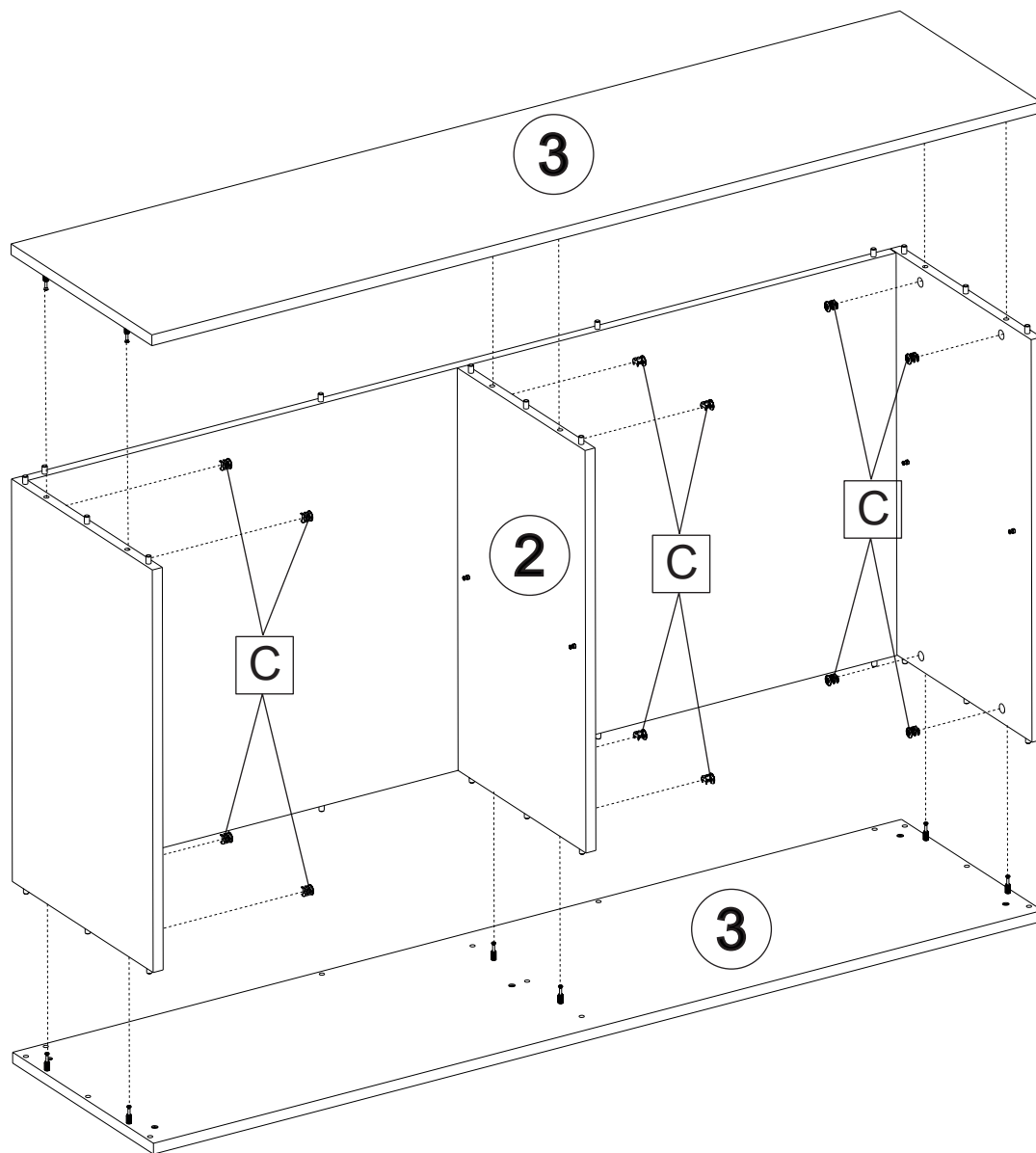
5

1

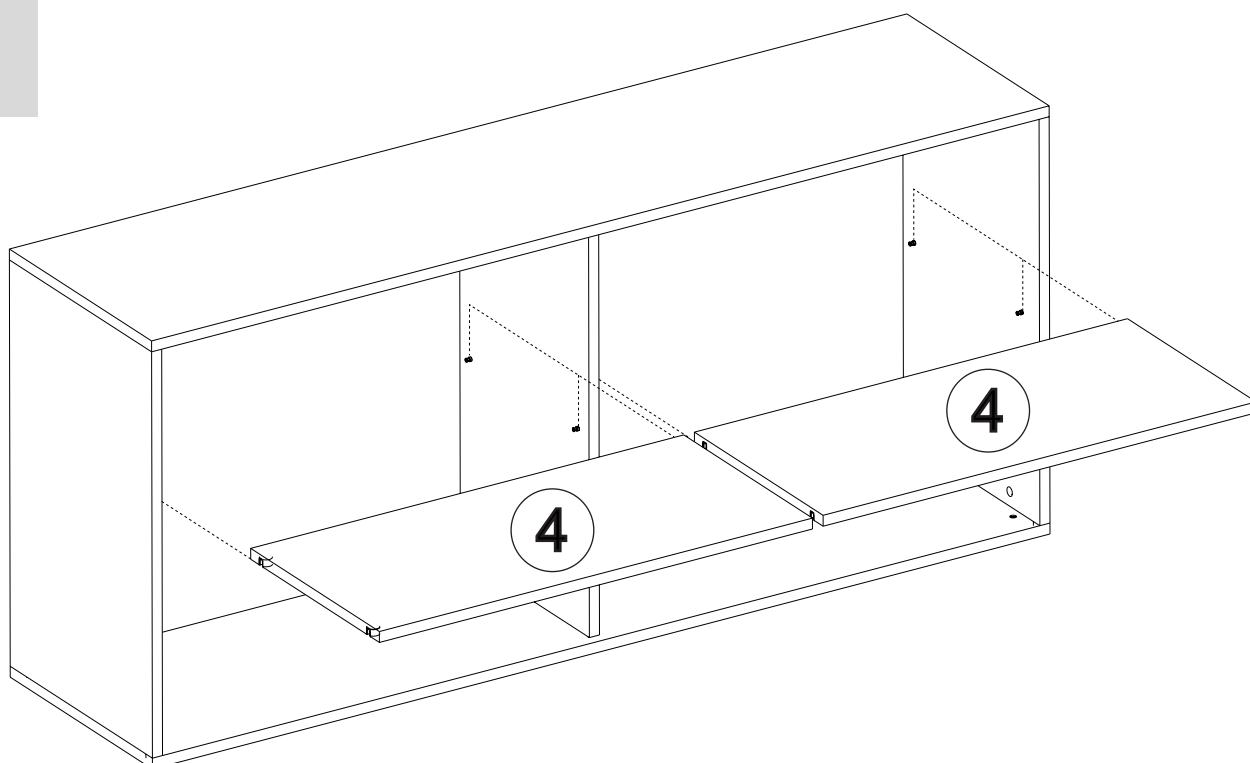
1



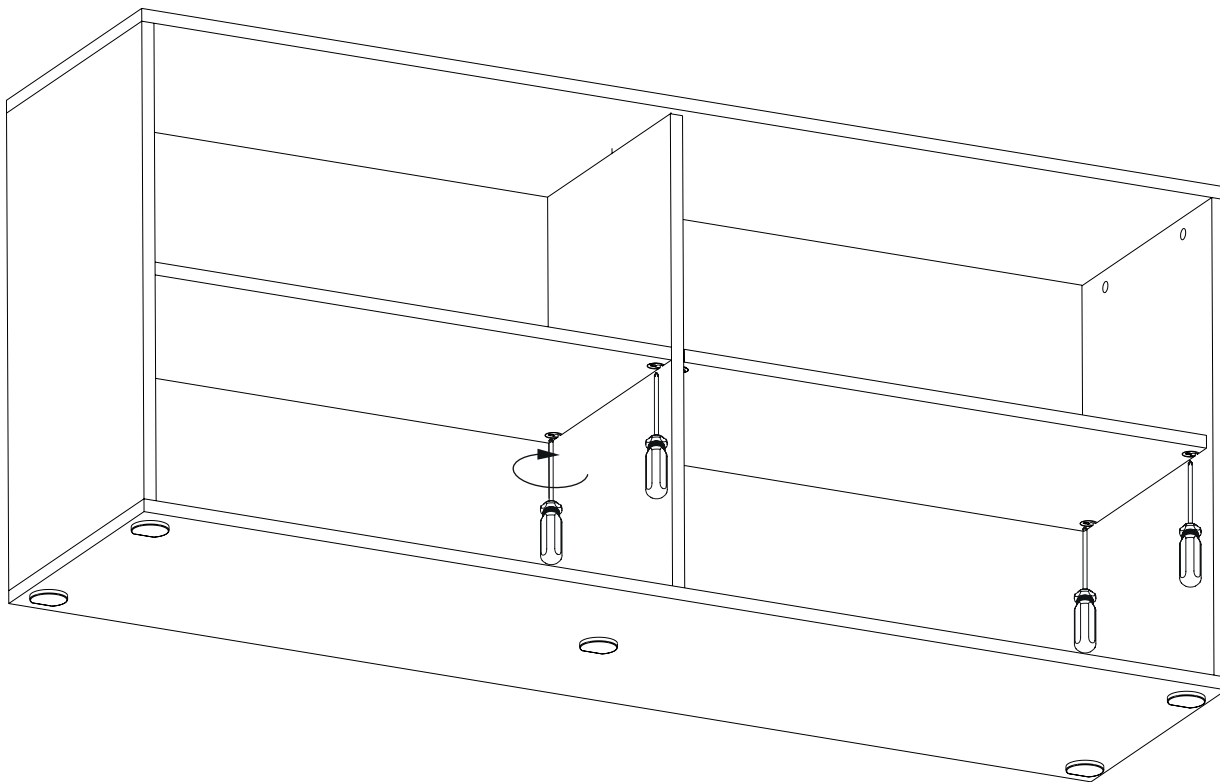
8



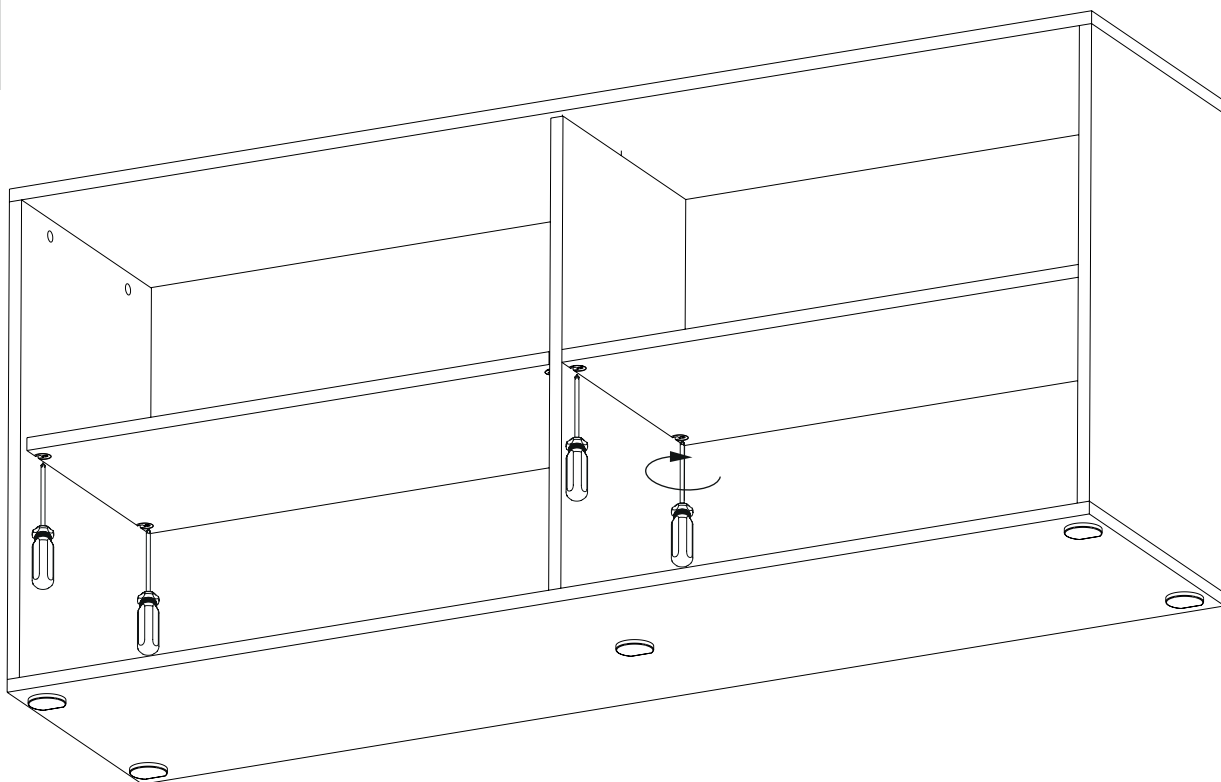
9



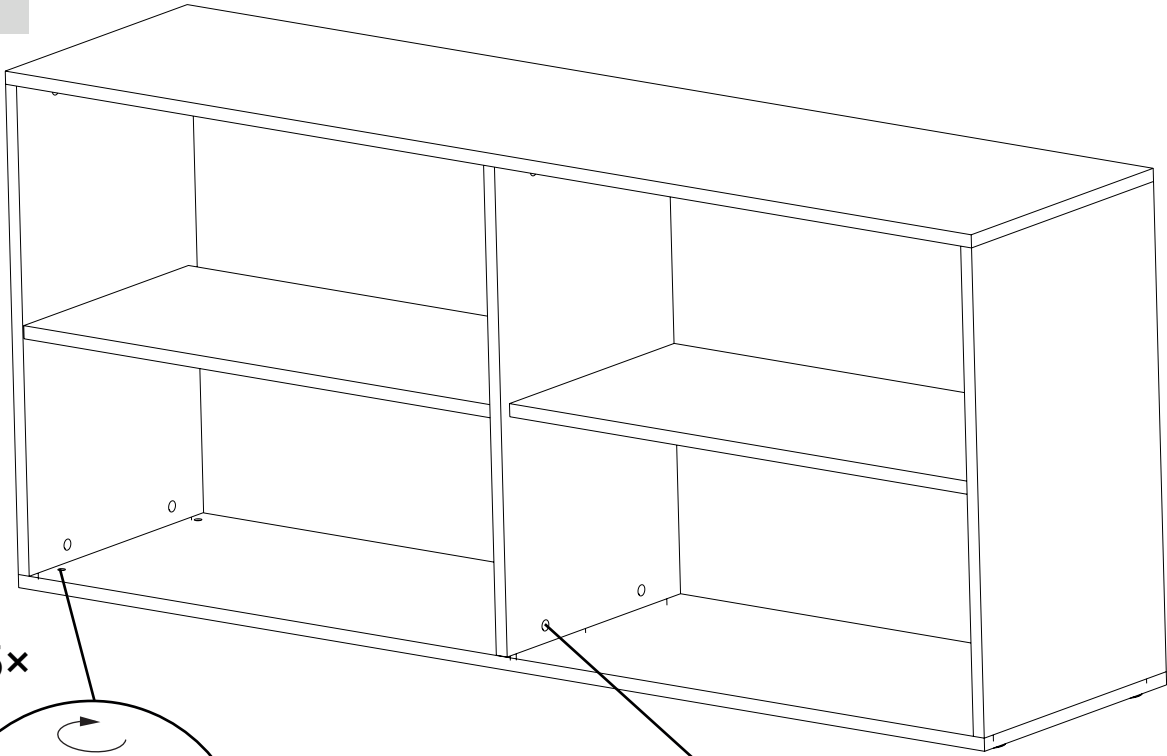
10



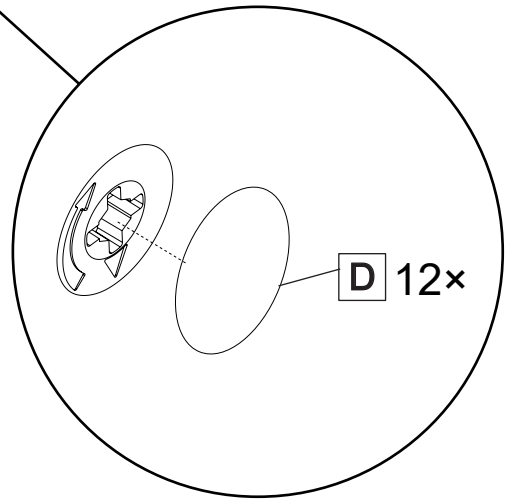
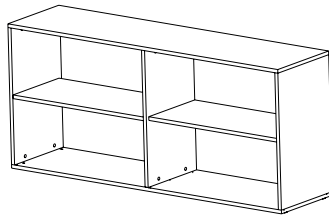
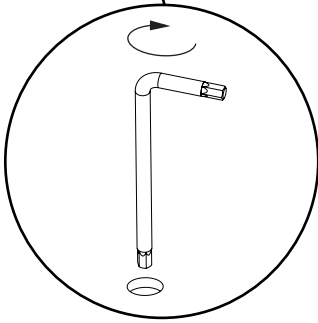
11

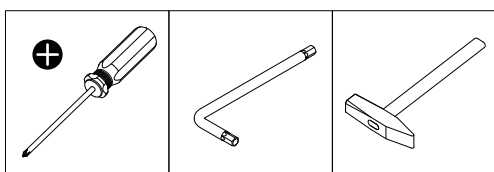
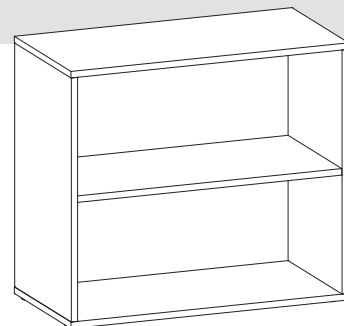


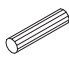


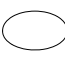



12

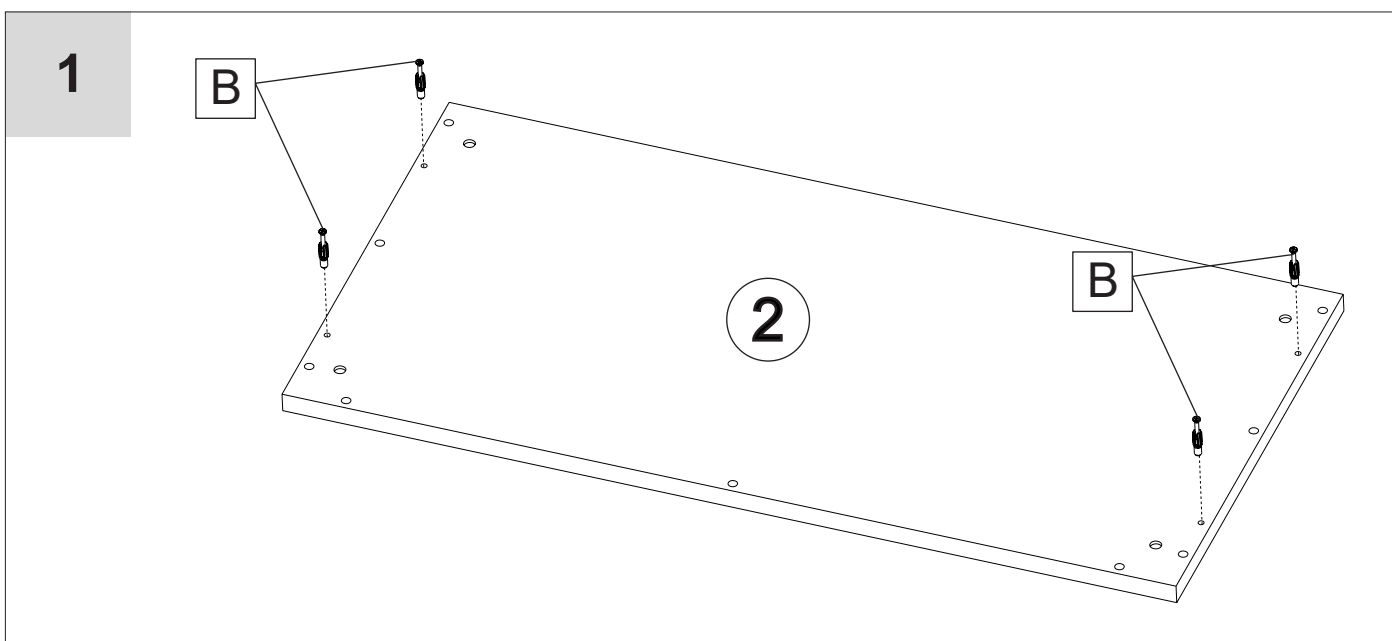
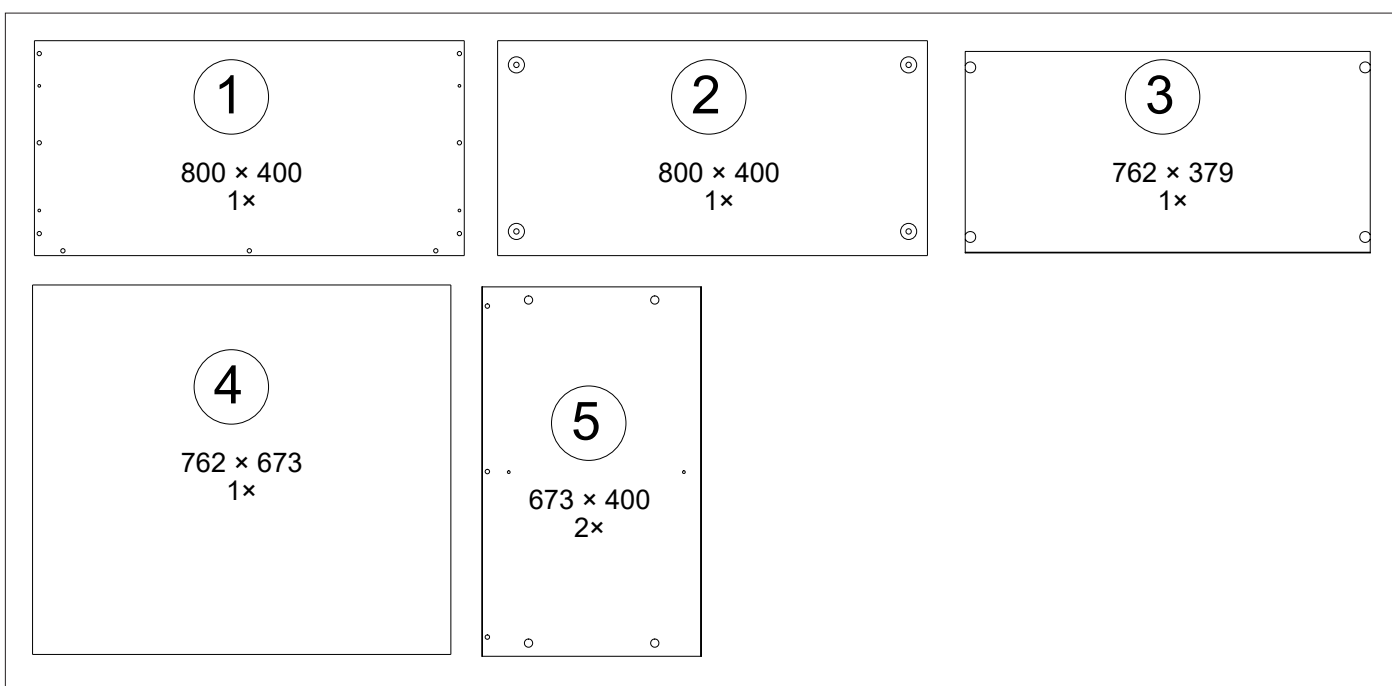


5x



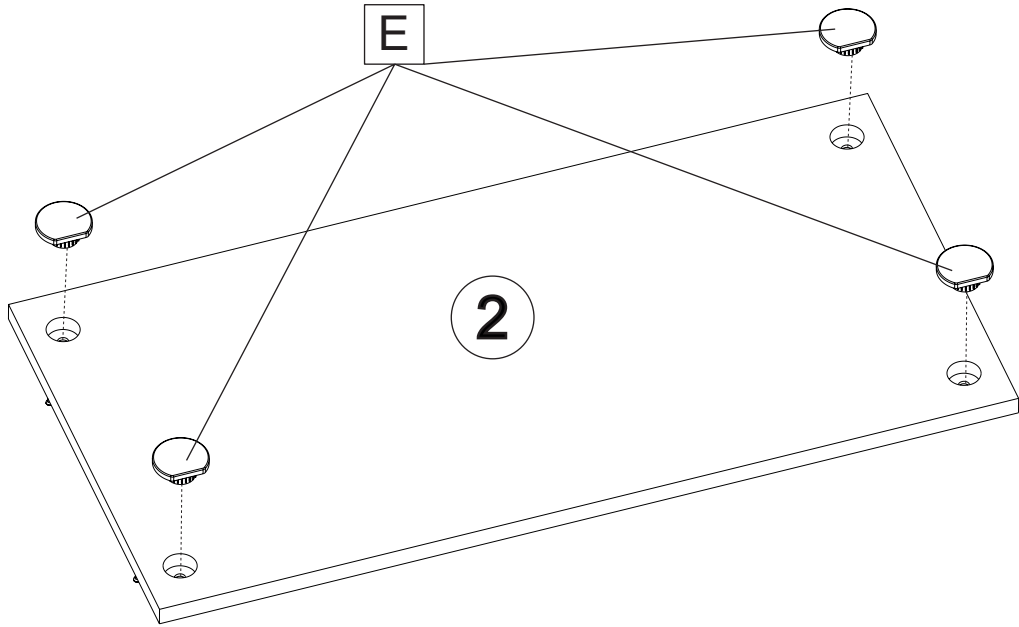


 Ø8 x 35						
A 48x	B 16x	C 16x	D 16x	E 4x	F 4x	G 4x

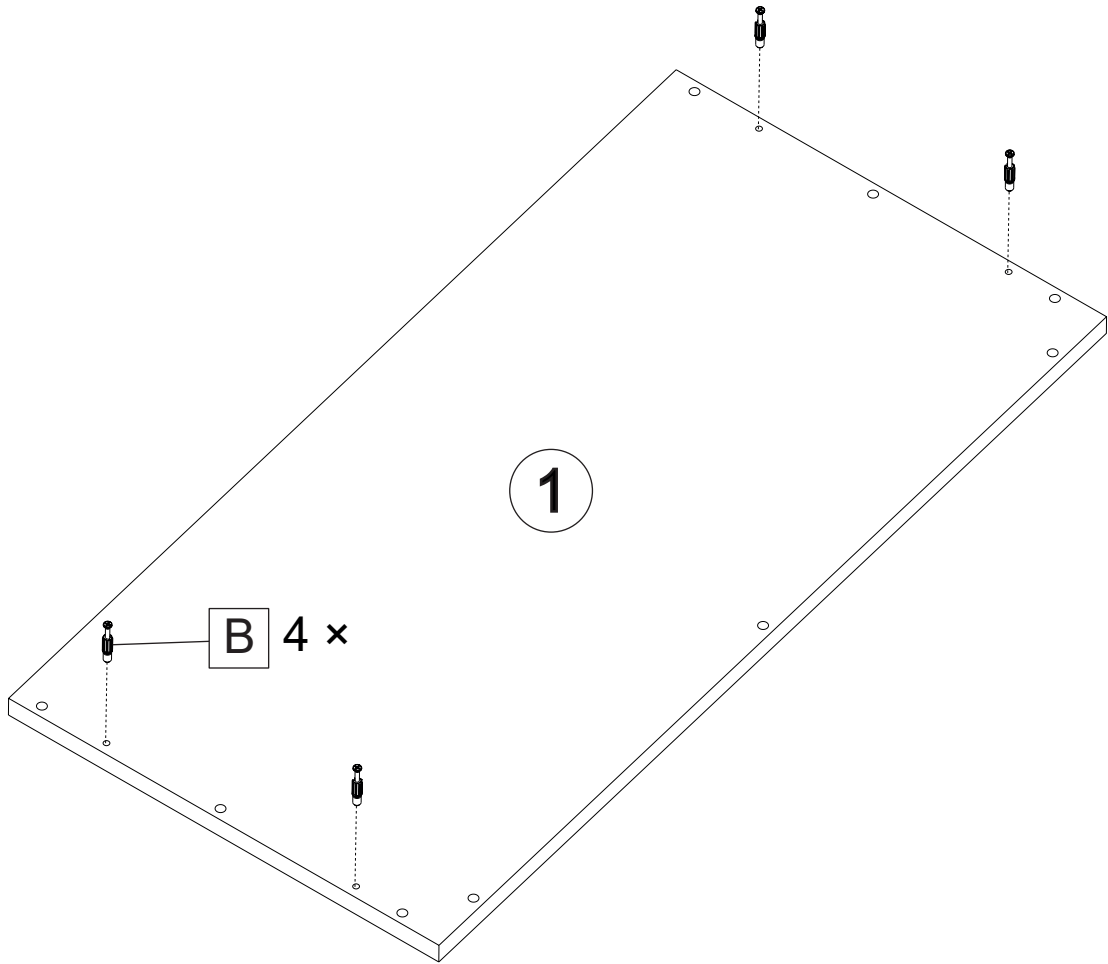




2

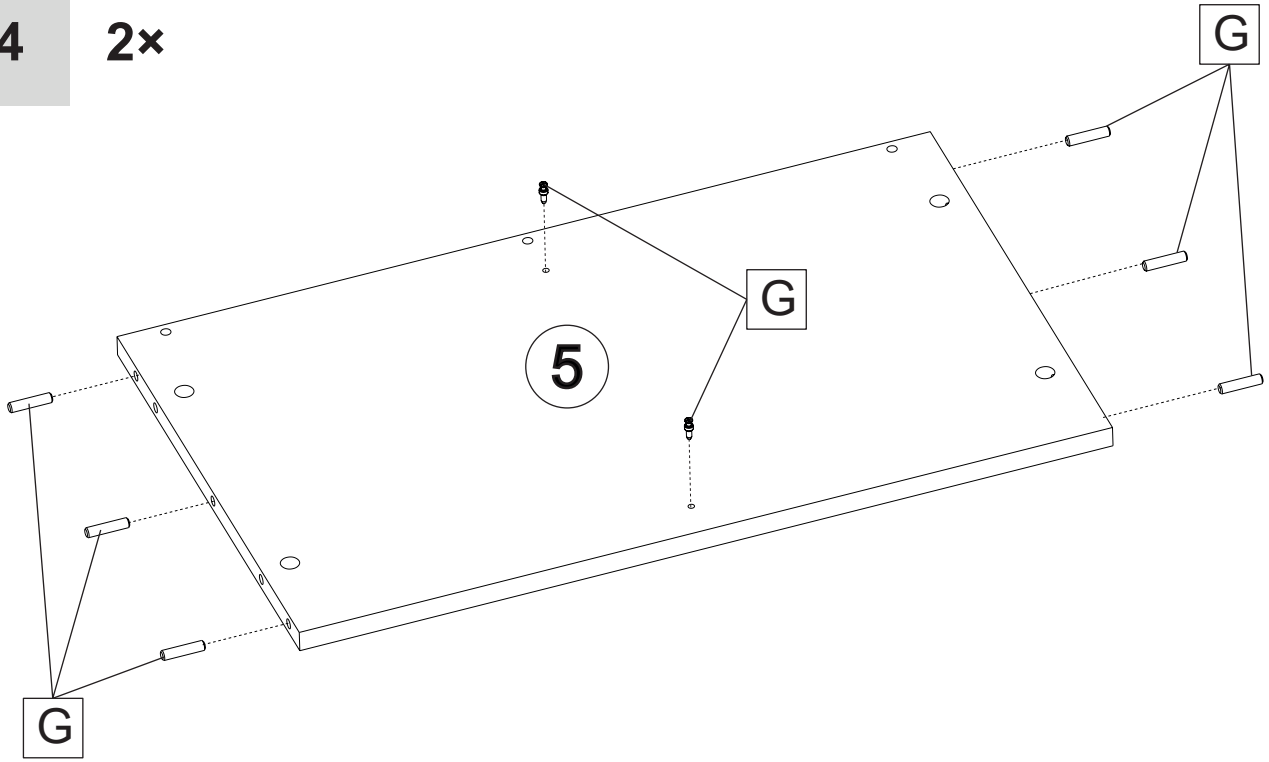


3



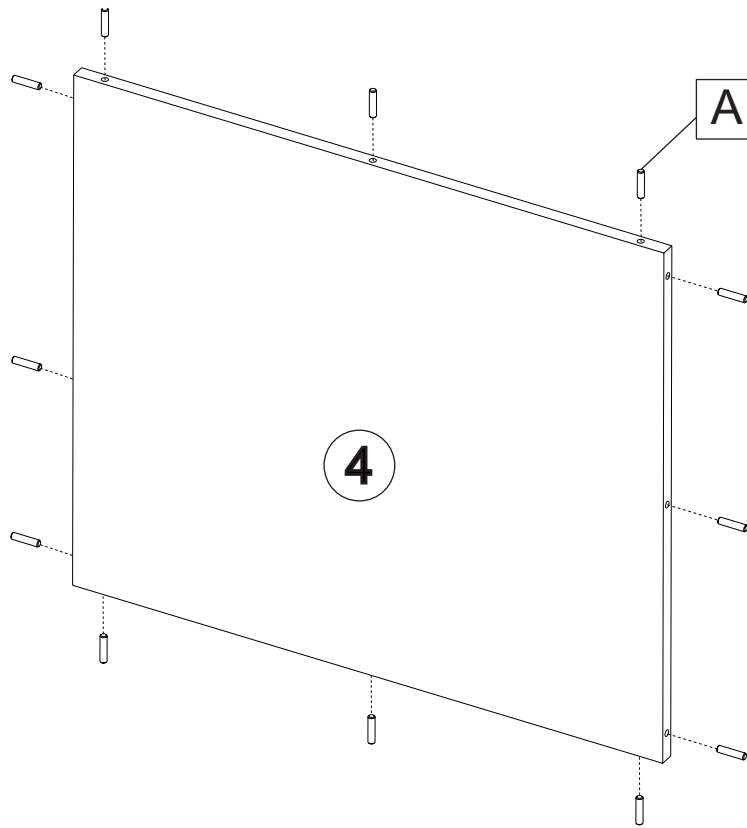
4

2x

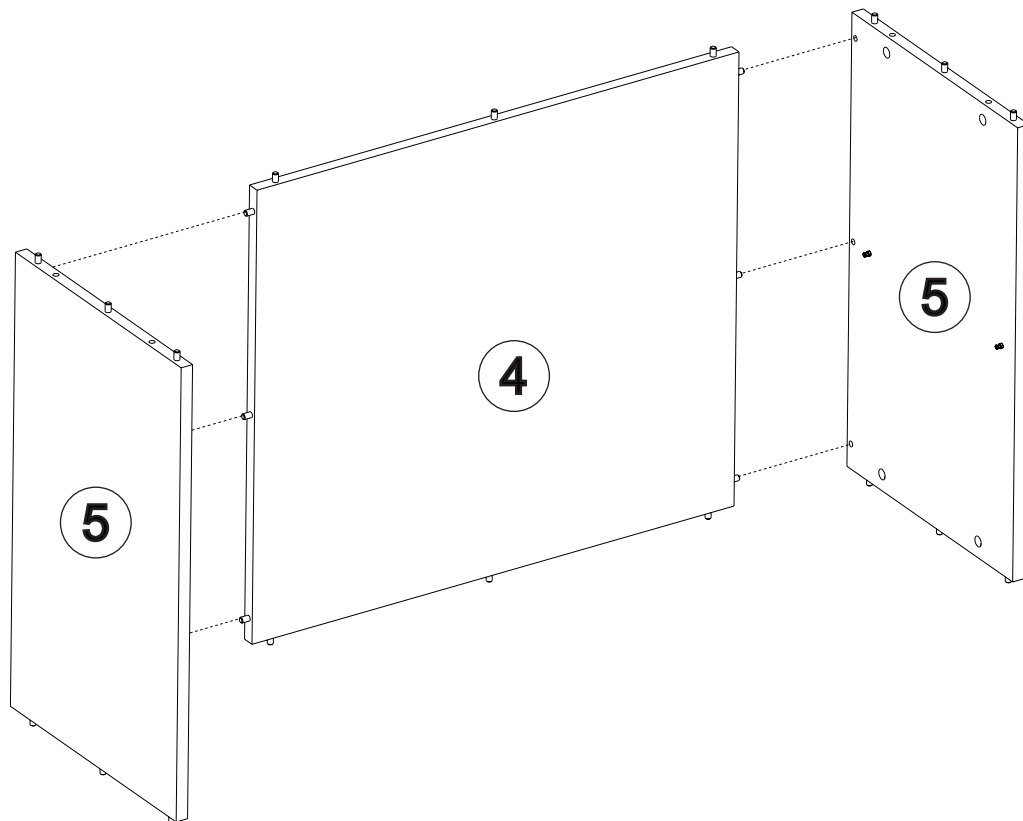


5

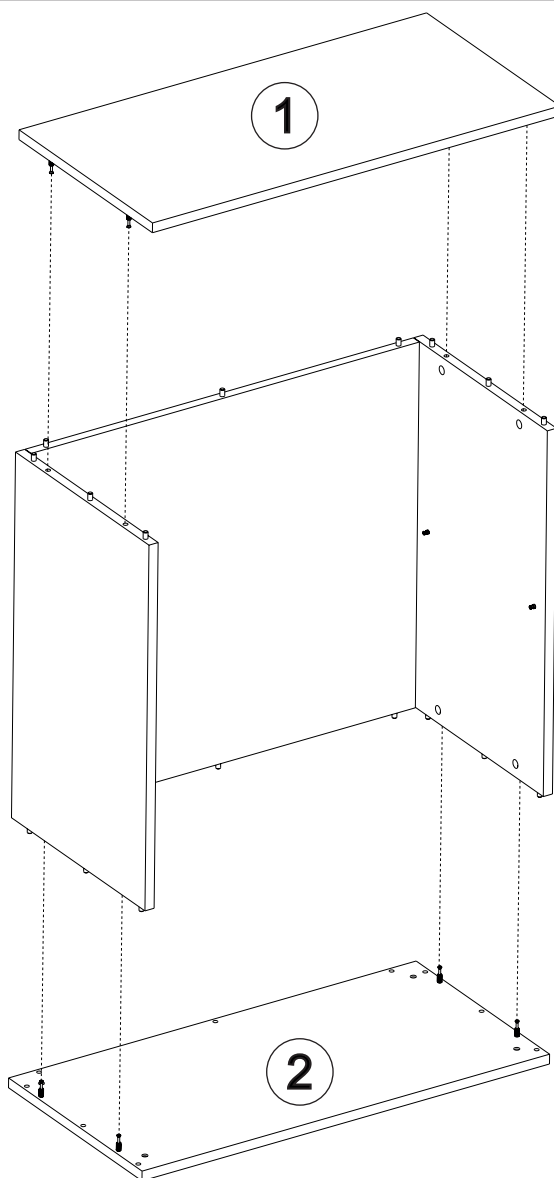
A 12x



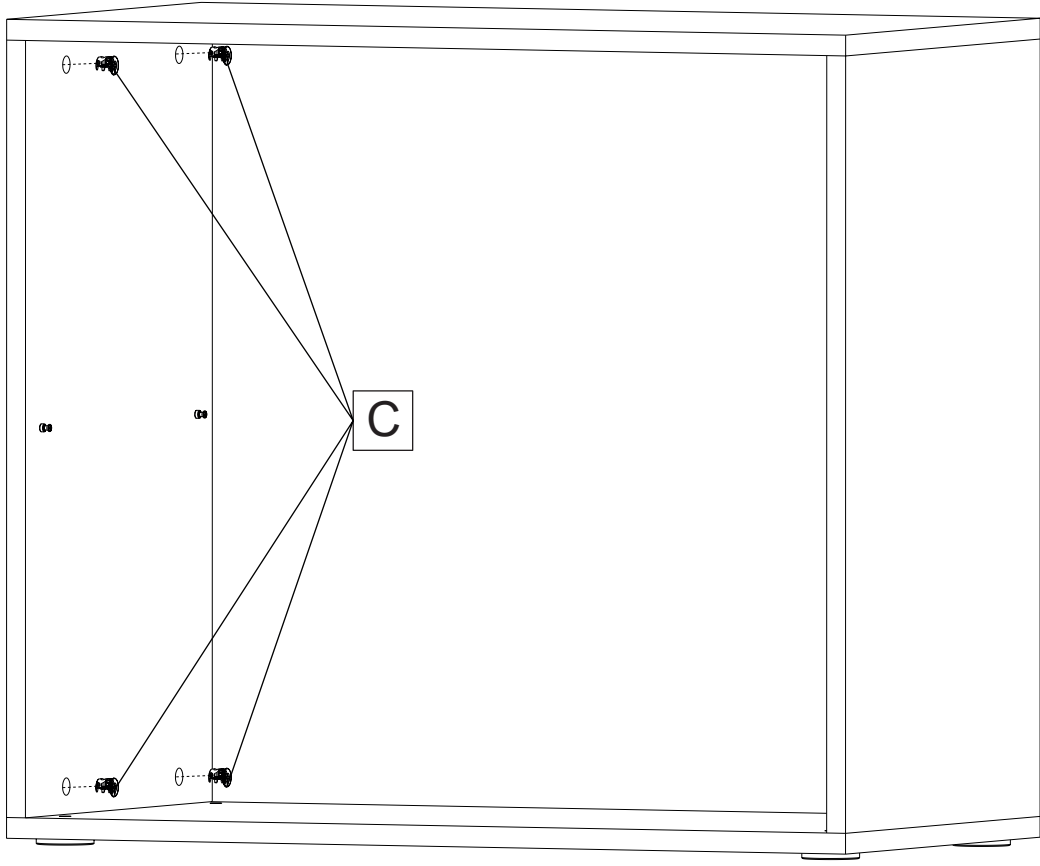
6



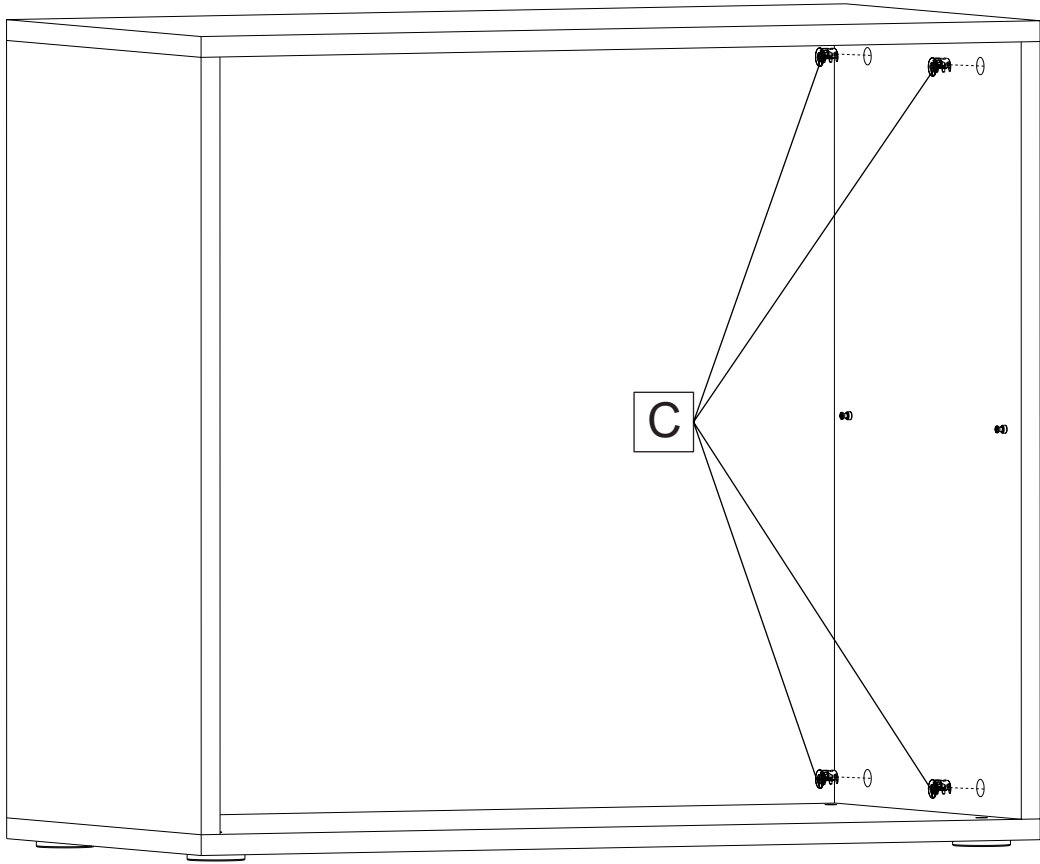
7



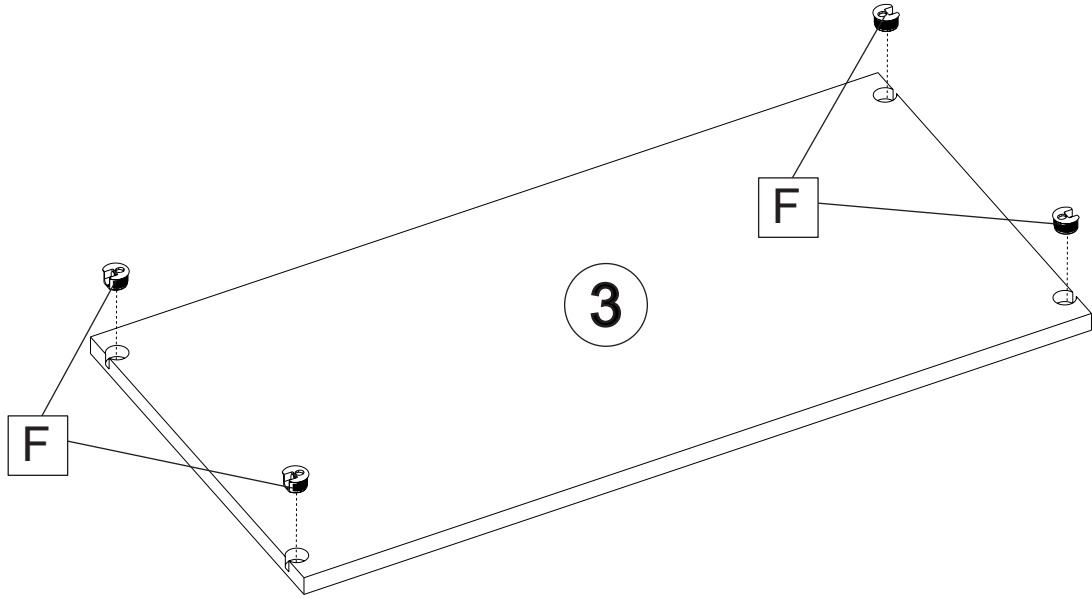
8



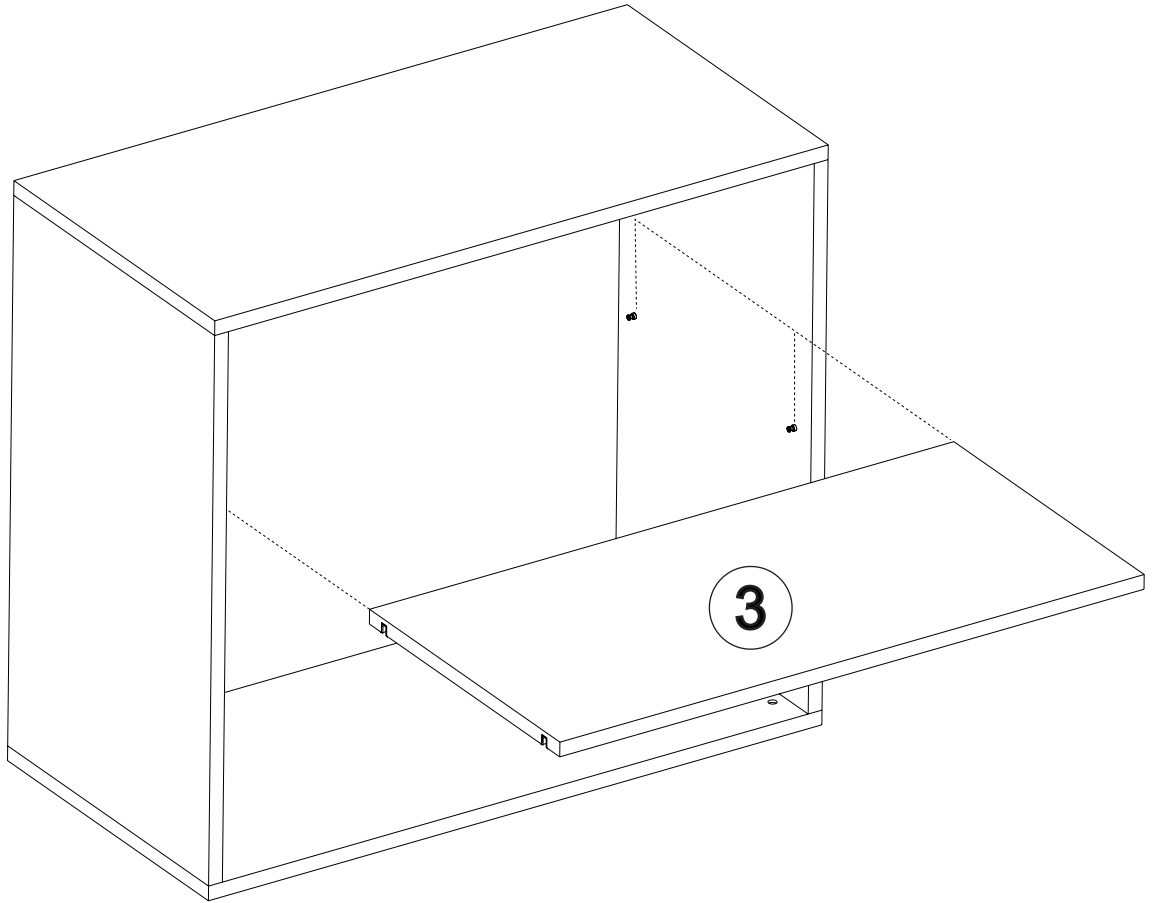
9



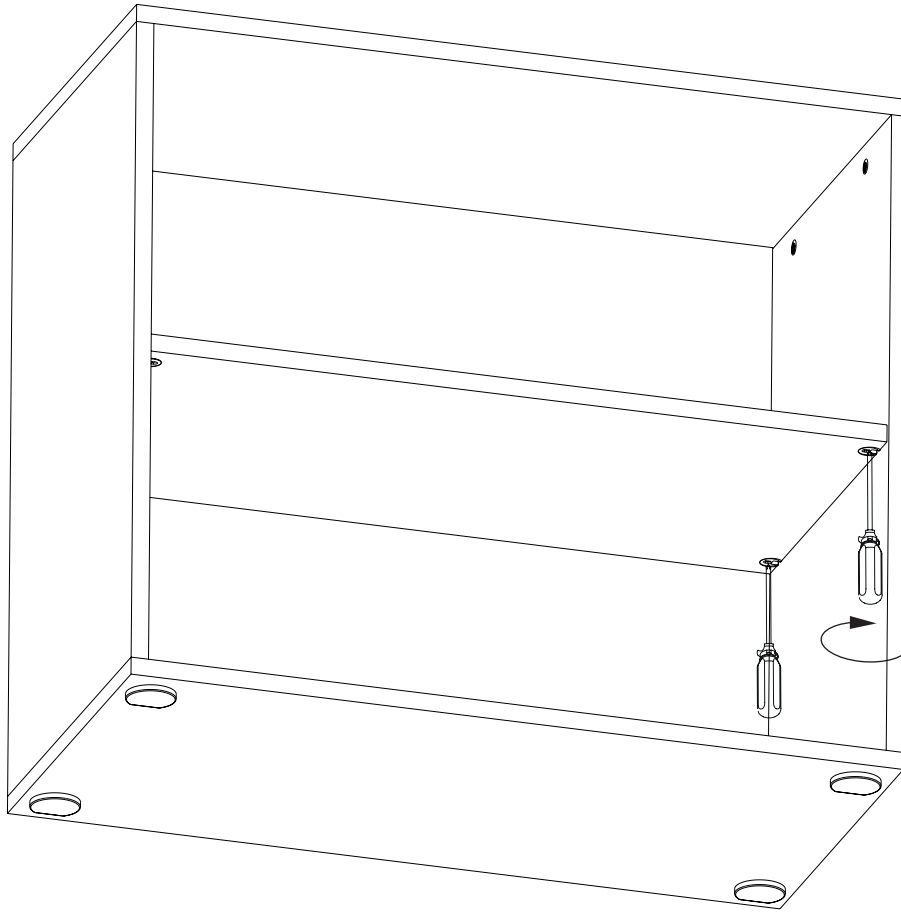
10



11



12



13

