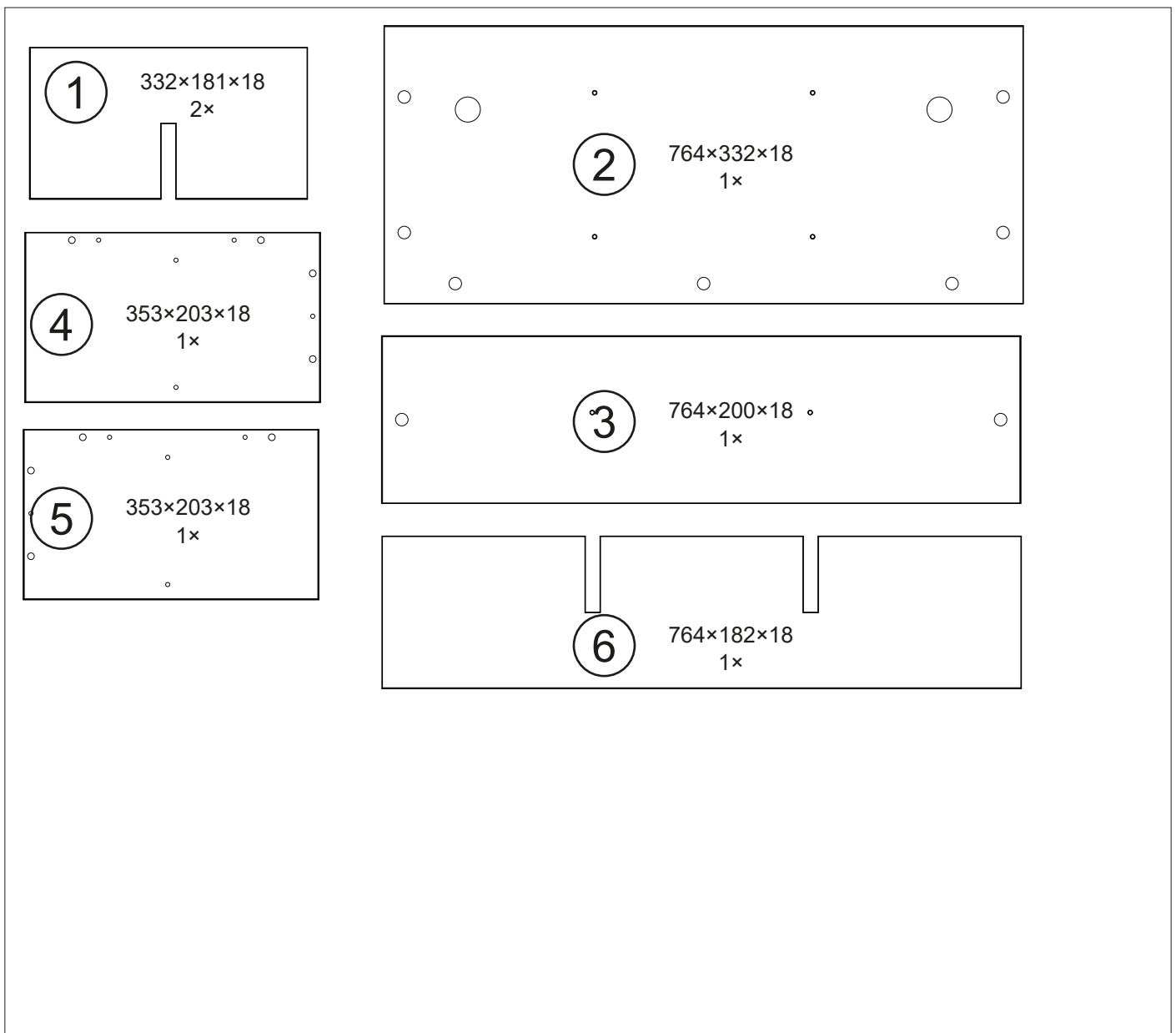
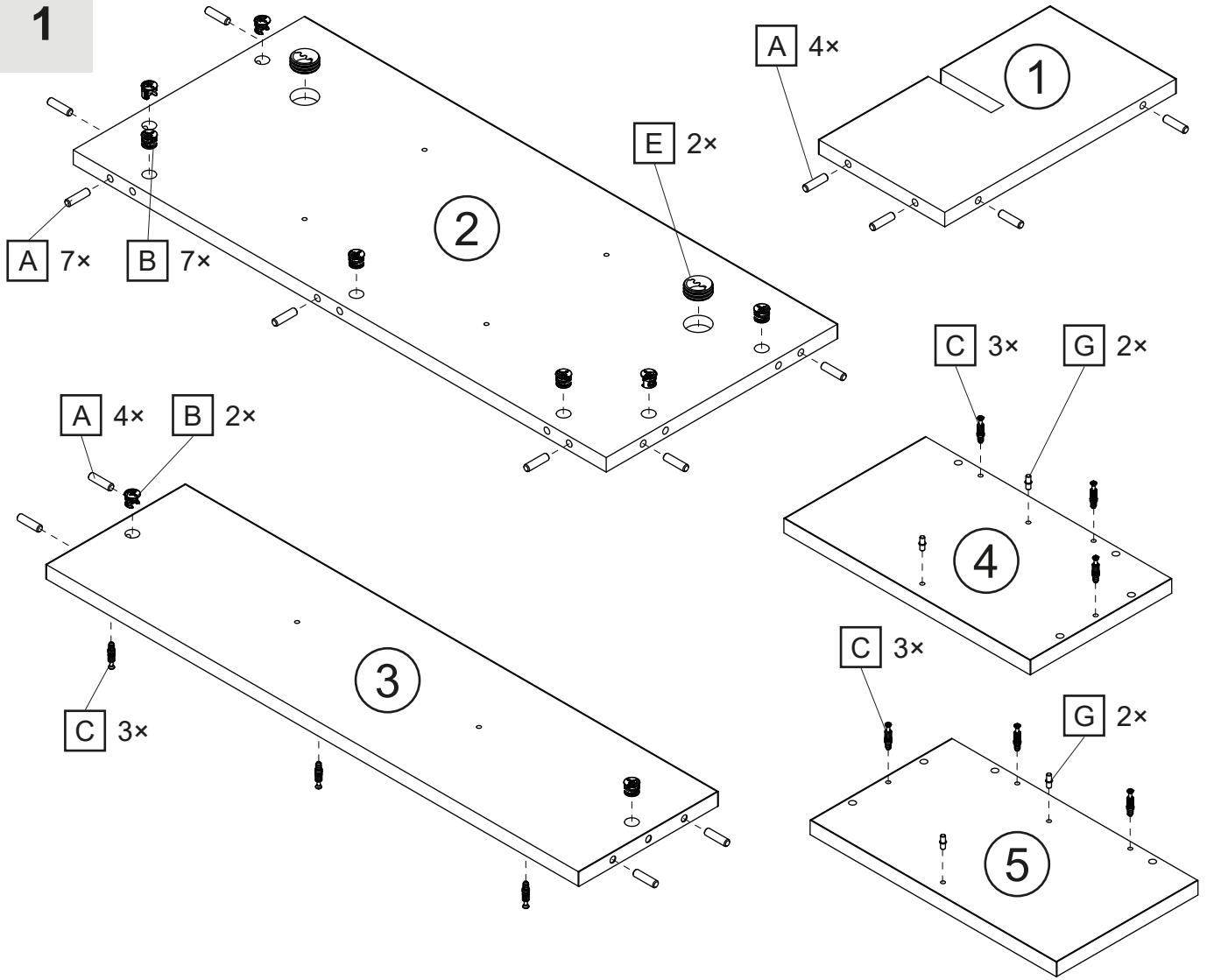
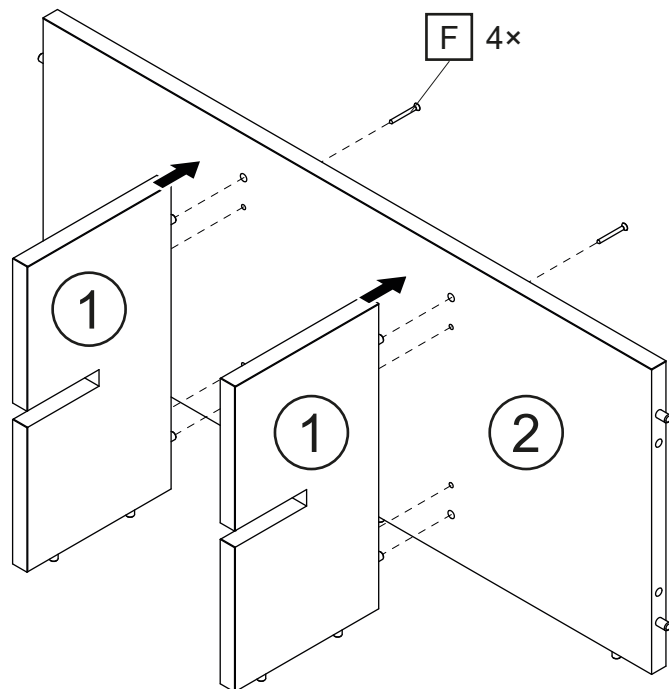

Ø8 x 35		Ø8 x 24			Ø3,5 x 35	
A 19x	B 9x	C 9x	D 9x	E 2x	F 6x	G 4x



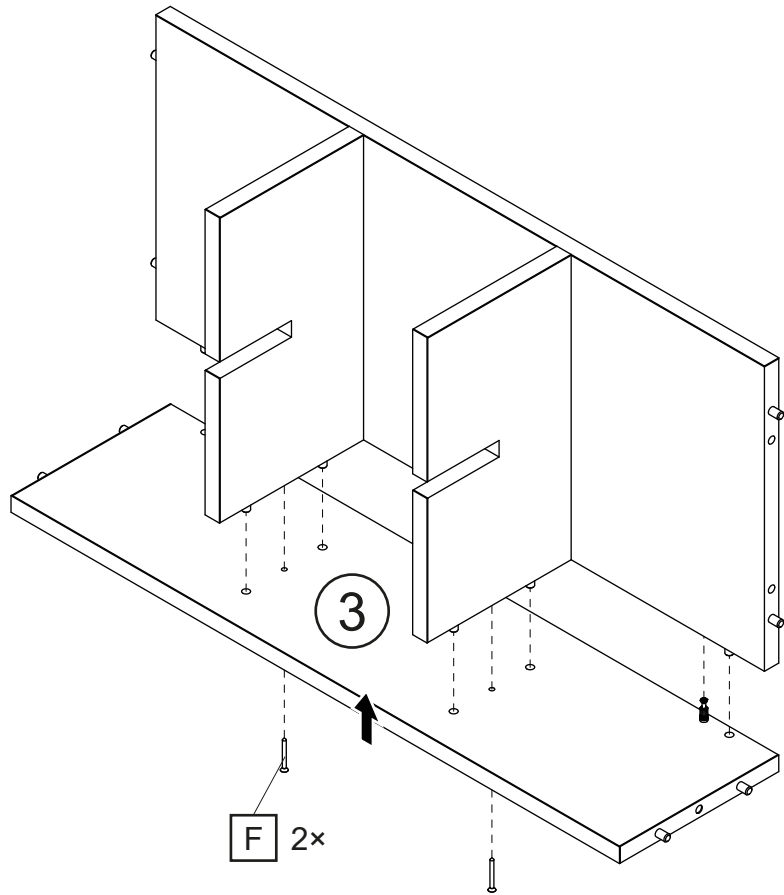
1



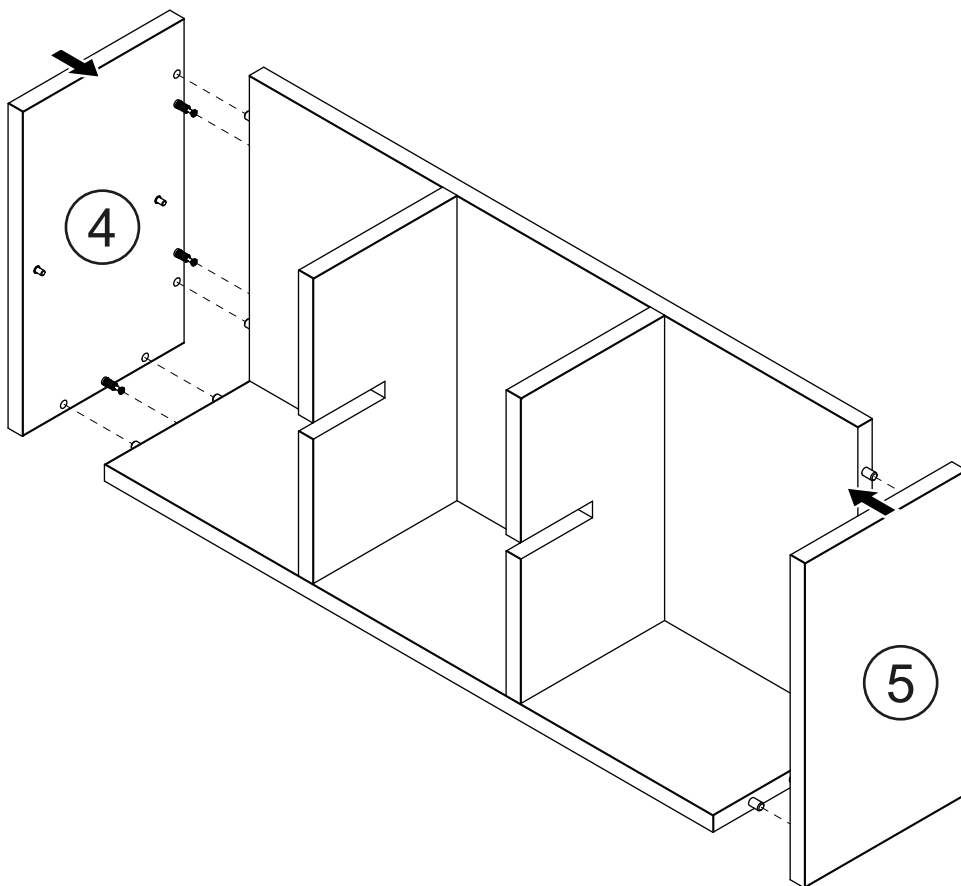
2



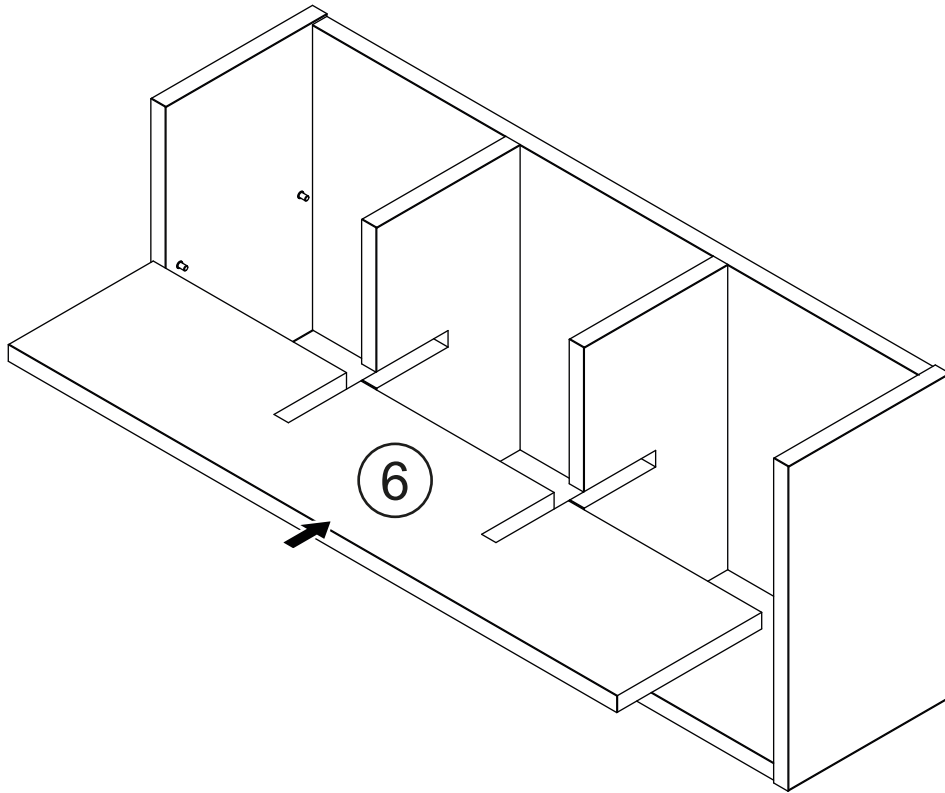
3



4



5



6

