



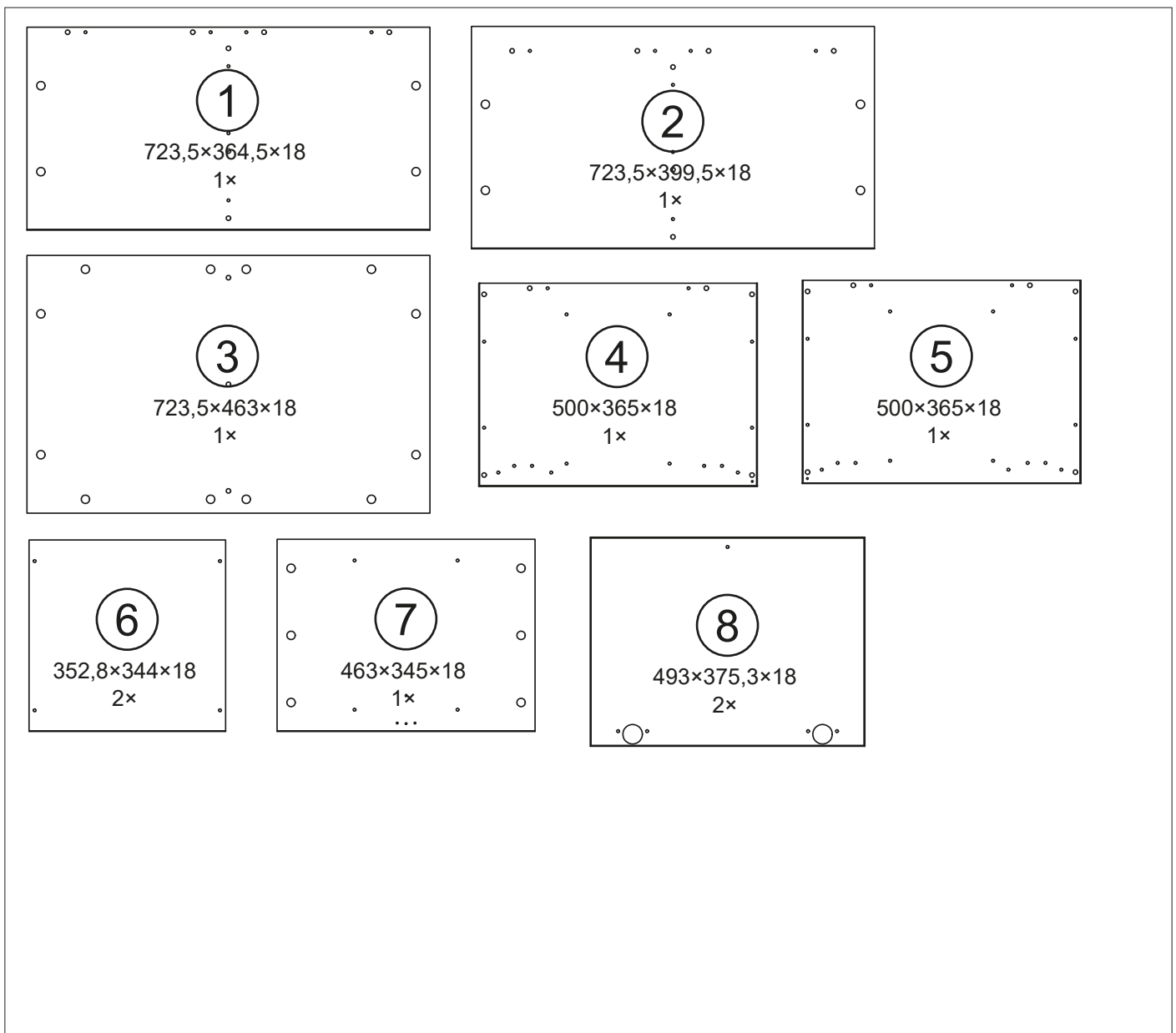
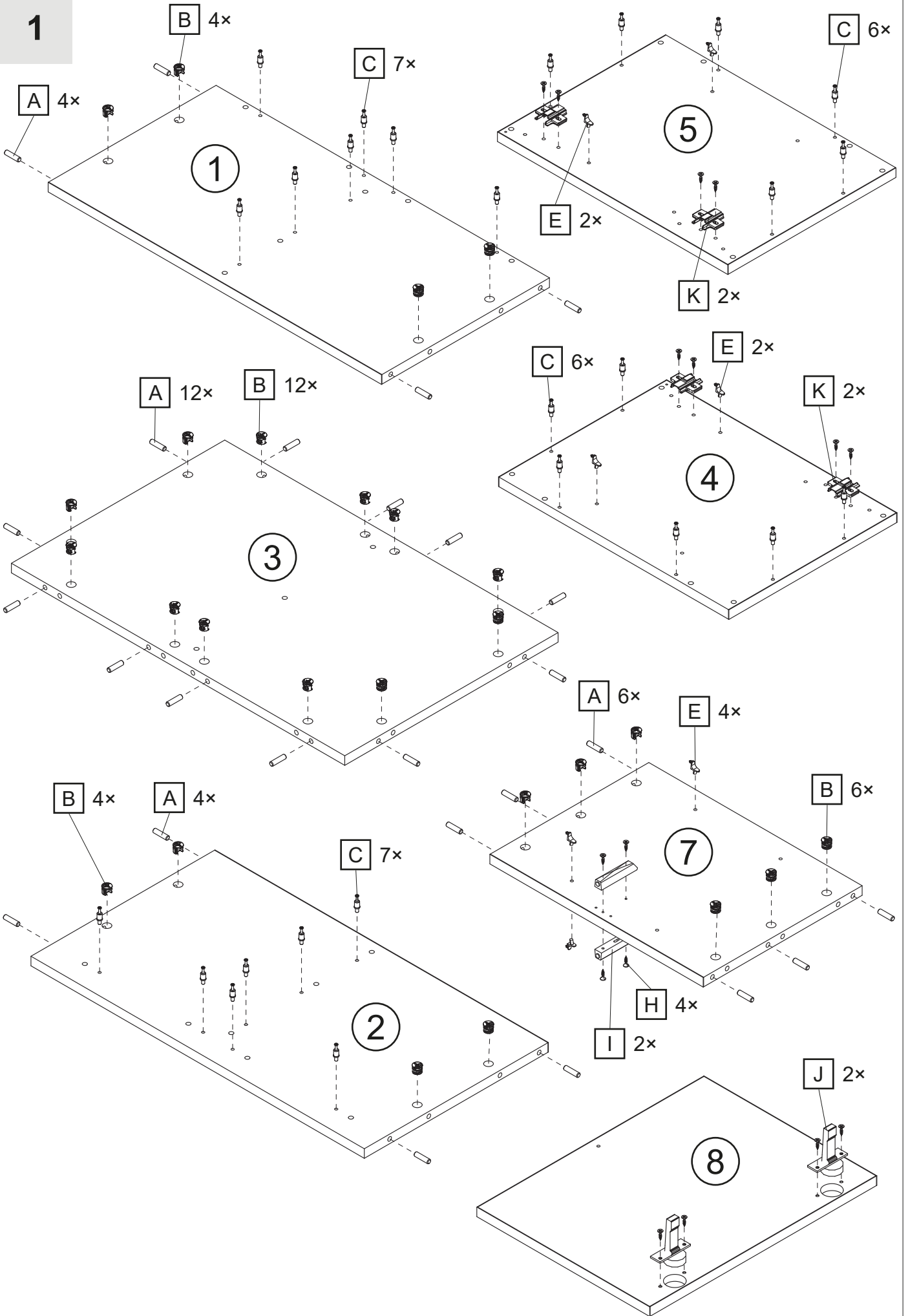
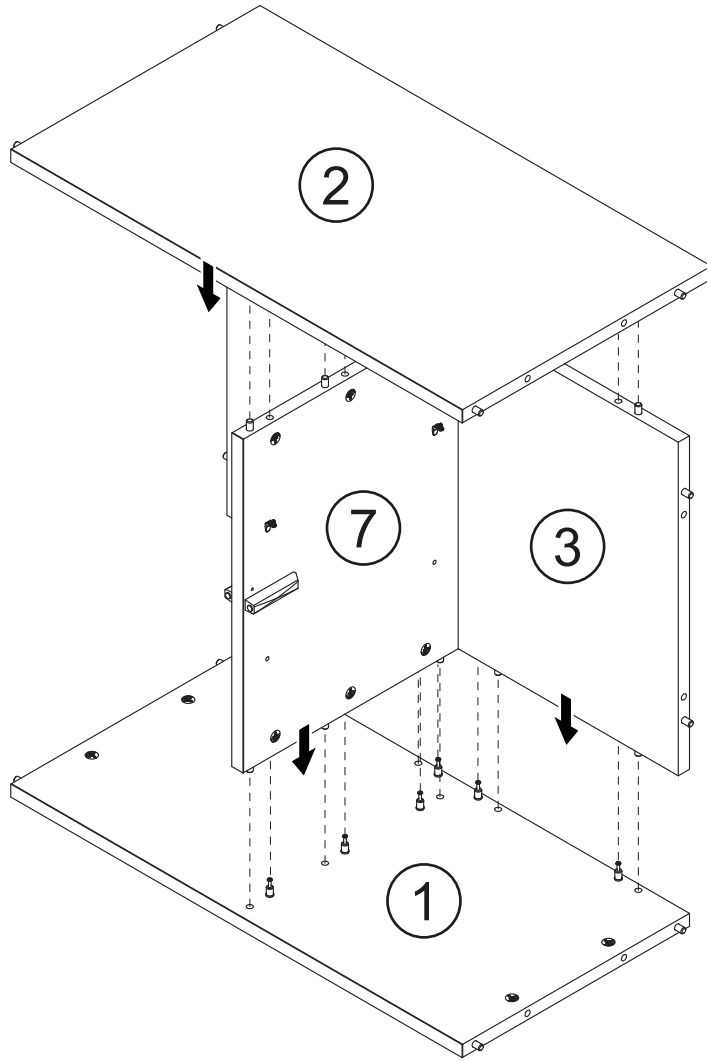

Ø8 × 35		Ø8 × 24				M4 × 25	Ø3,5 × 35
A 26×	B 26×	C 26×	D 26×	E 8×	F 2×	G 1×	H 4×
							
			Ø7 × 50				
I 2×	J 4×	K 4×	L 3×				



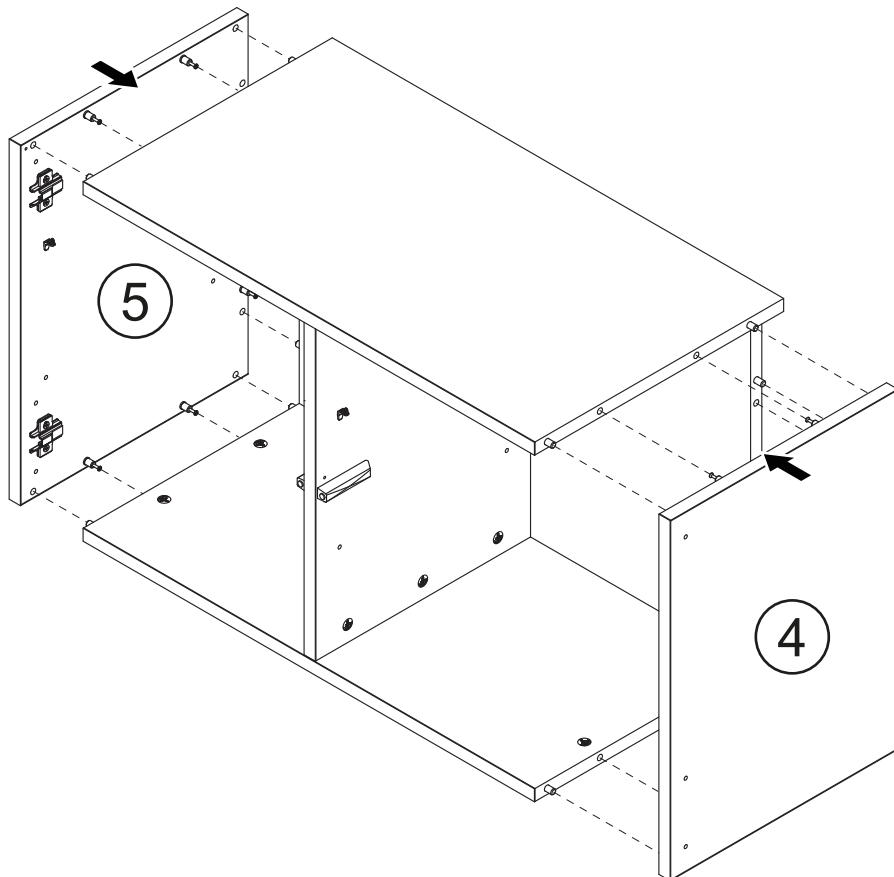
1



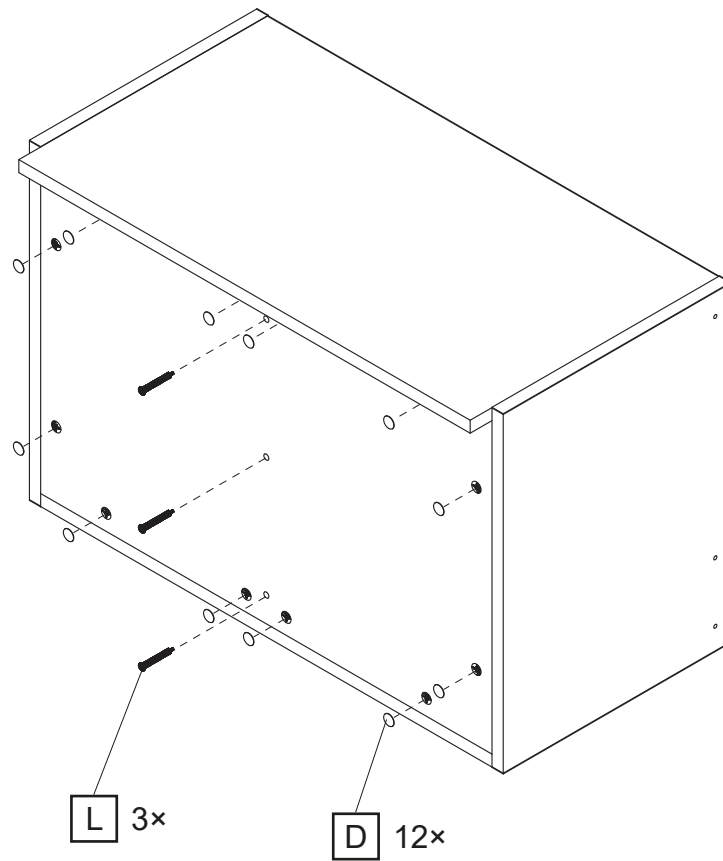
2



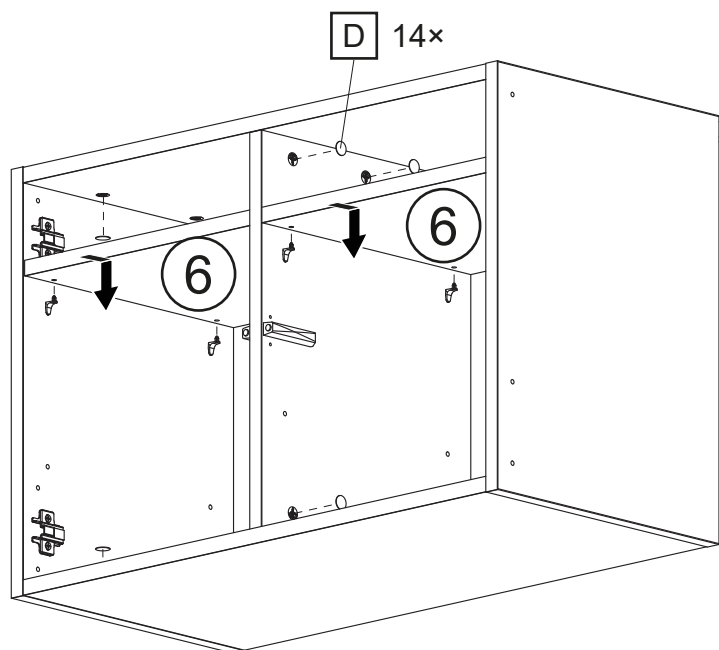
3



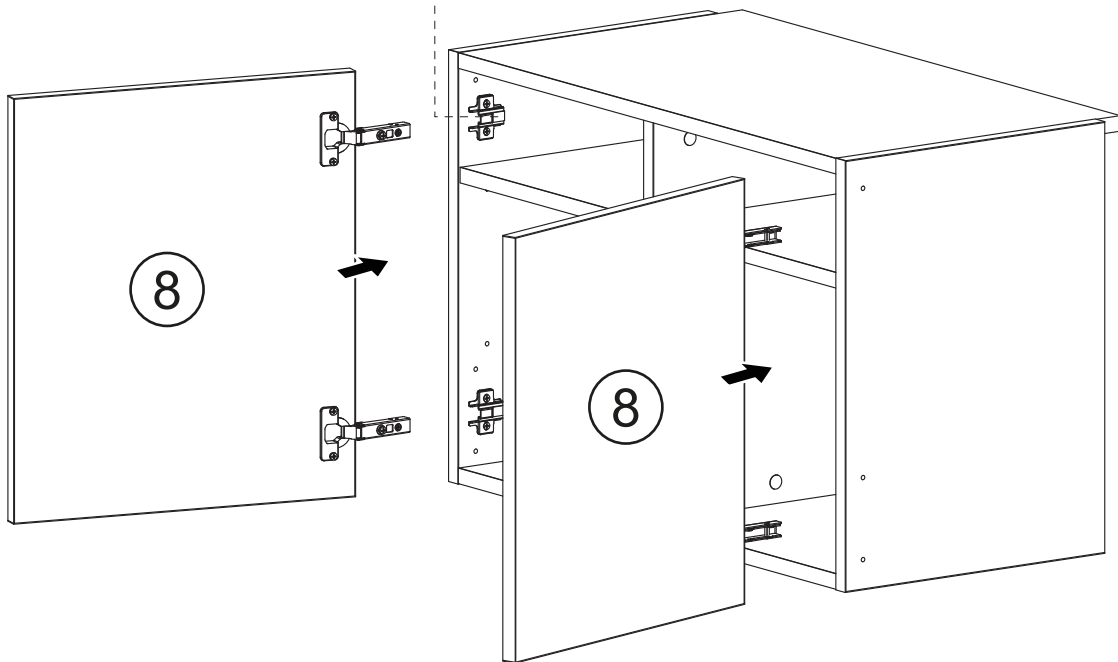
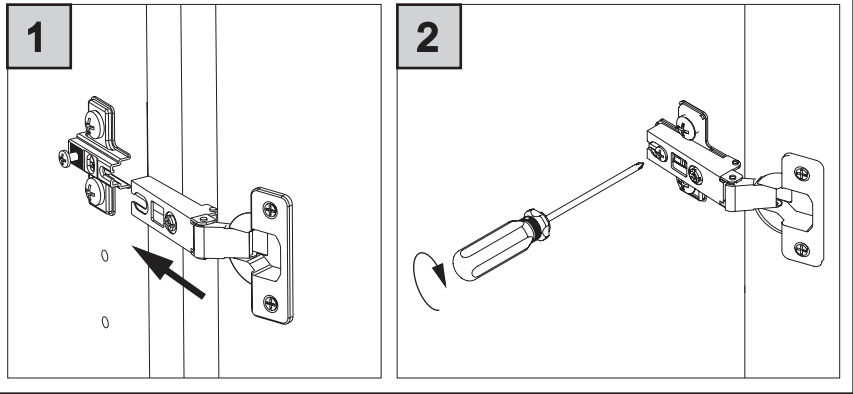
4



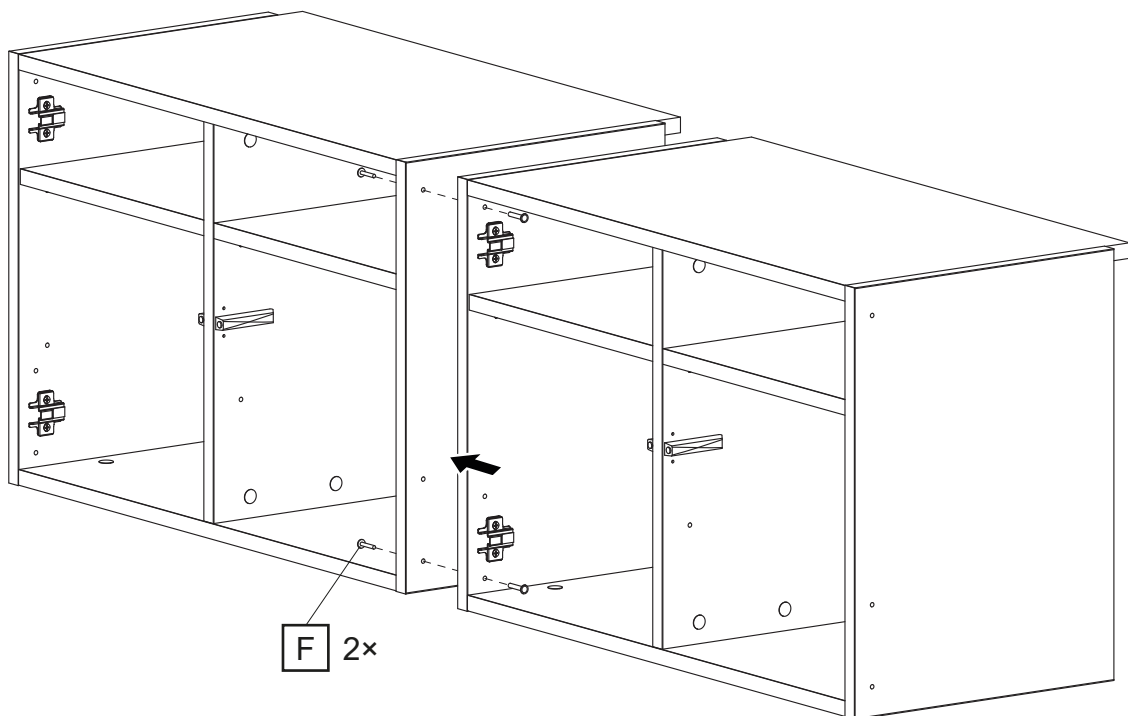
5



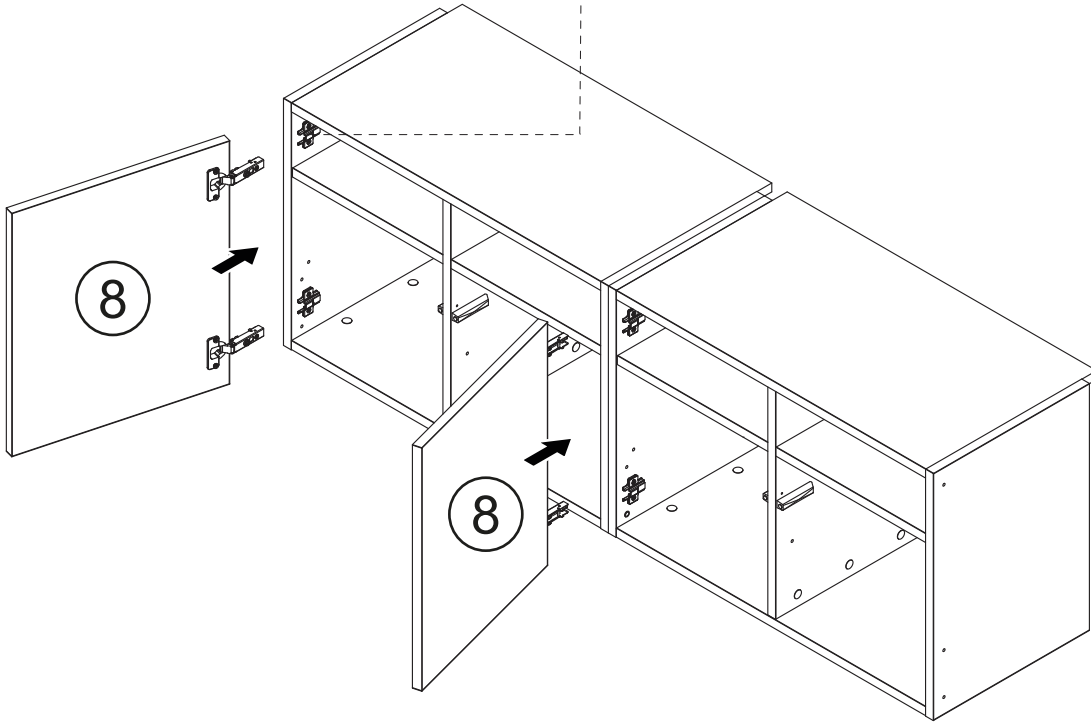
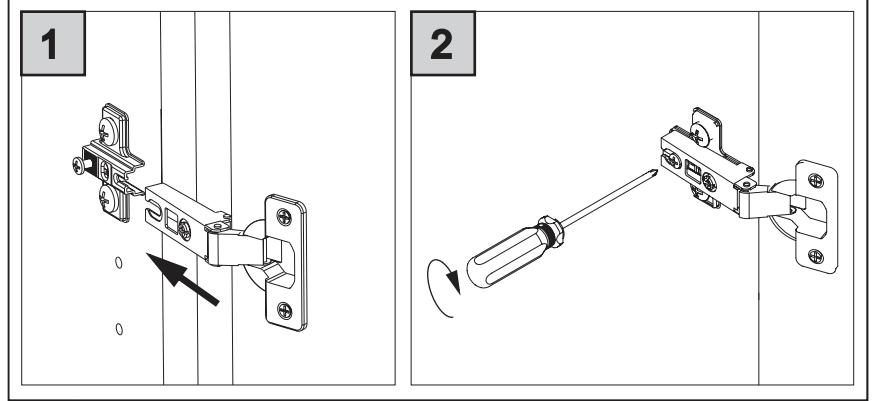
6a



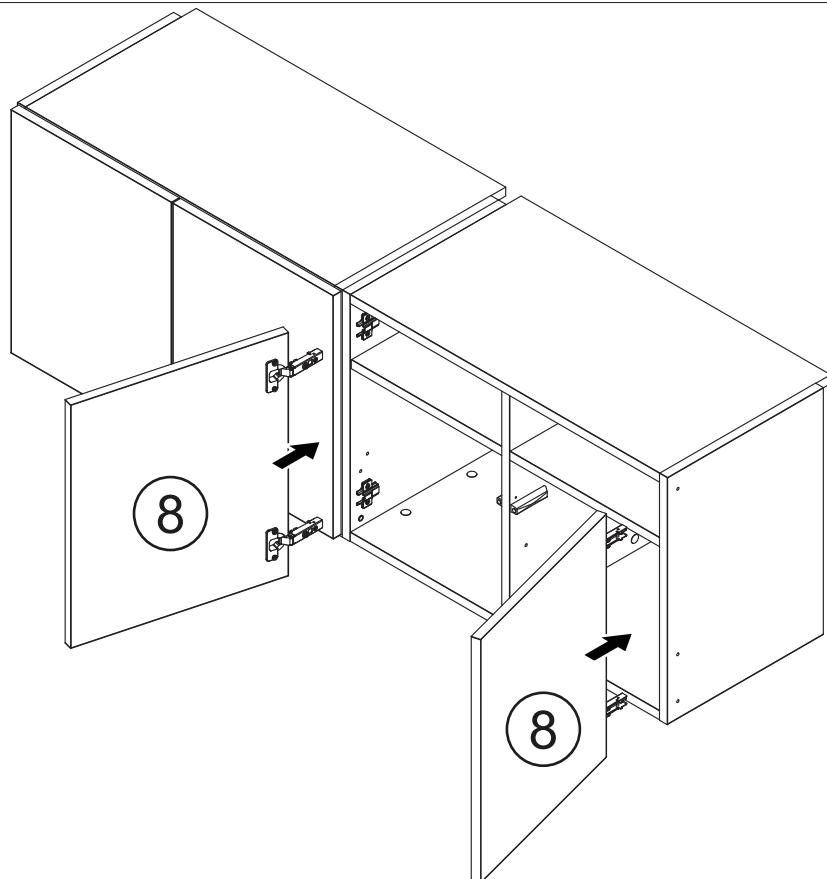
6b

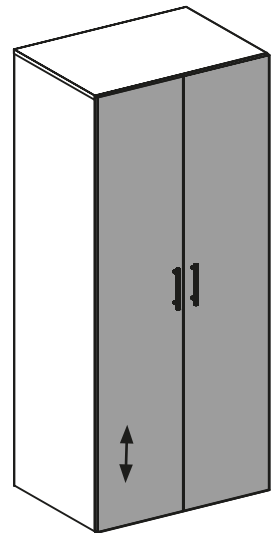
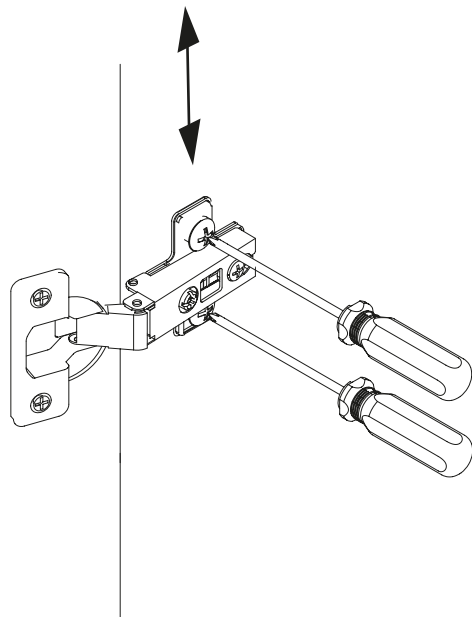
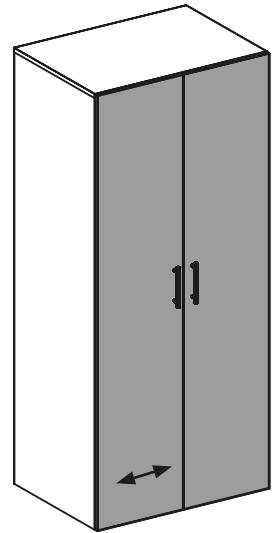
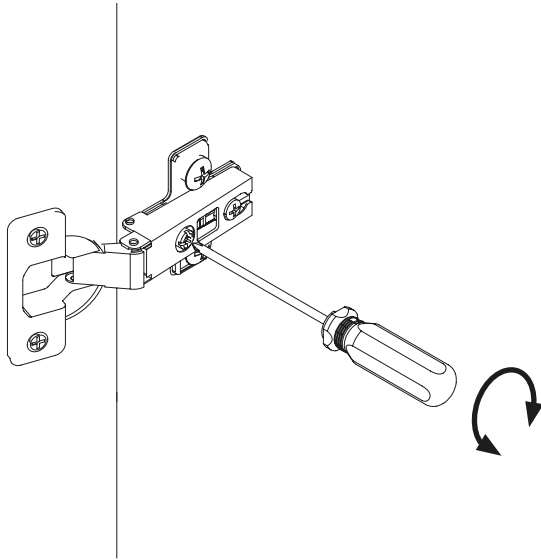
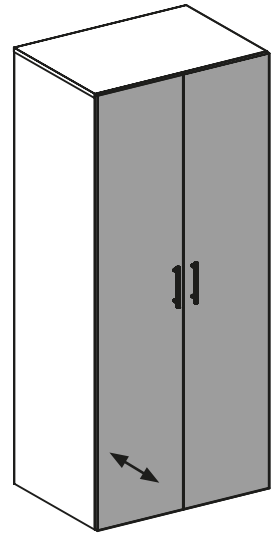
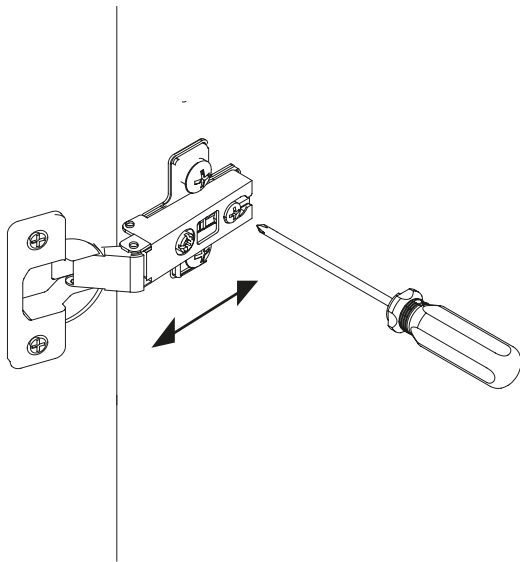


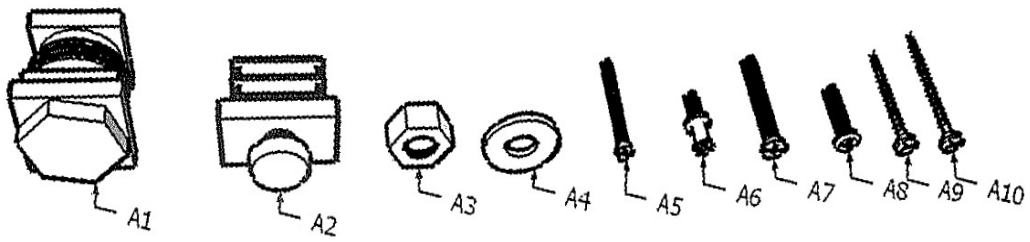
7b



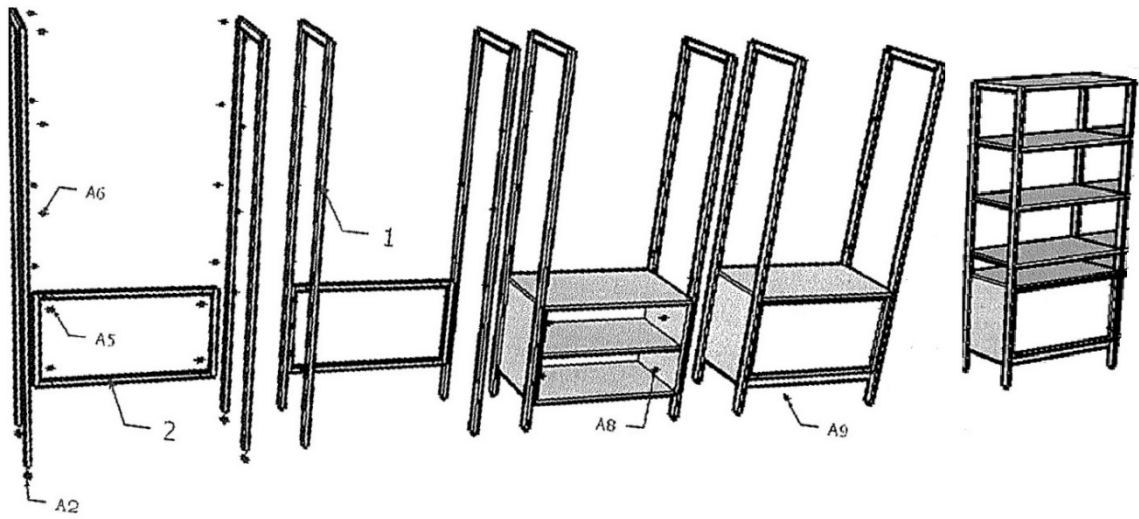
8b







1	2	A2	A5	A6	A8	A9
2x	1x	4x	4x	16x	4x	4x



1	2	A2	A5	A6	A8	A9
1x	1x	2x	4x	16x	4x	4x

