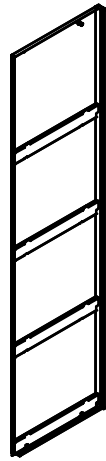
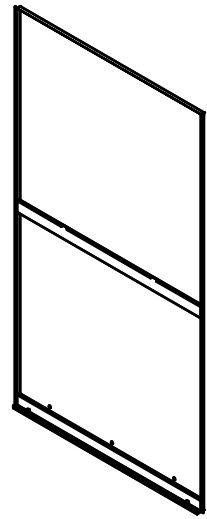


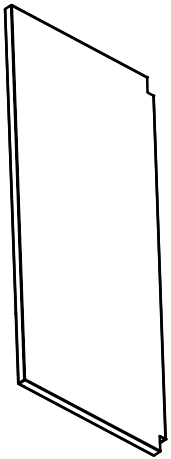
AX1



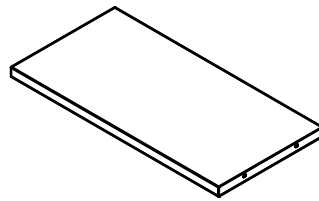
BX2



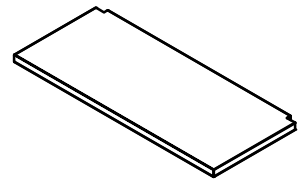
CX1



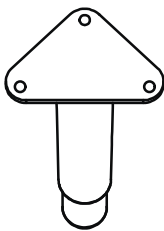
DX1



EX1



FX3



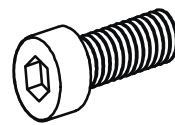
JX4



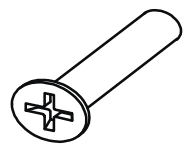
LX12



MX12



NX12



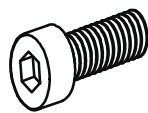
OX4



PX6



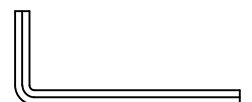
QX6



R X6



SX1



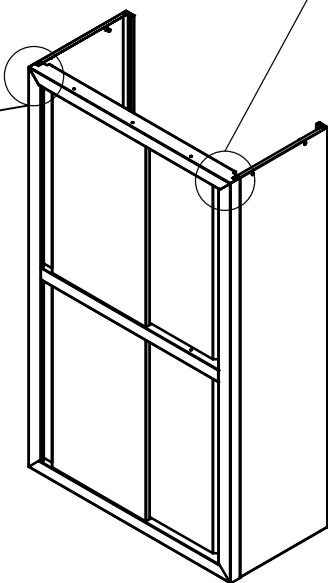
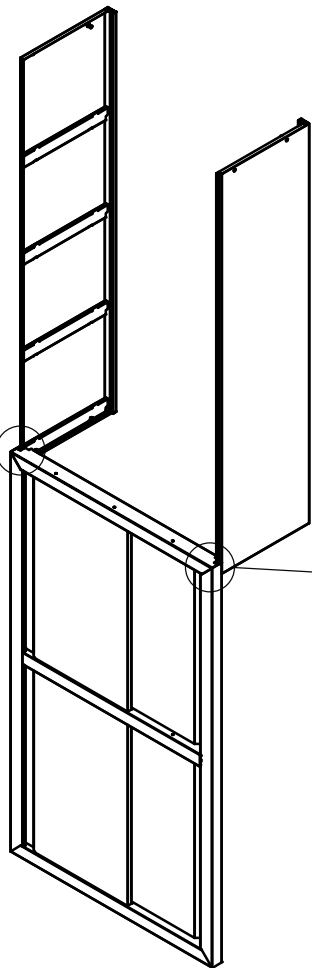
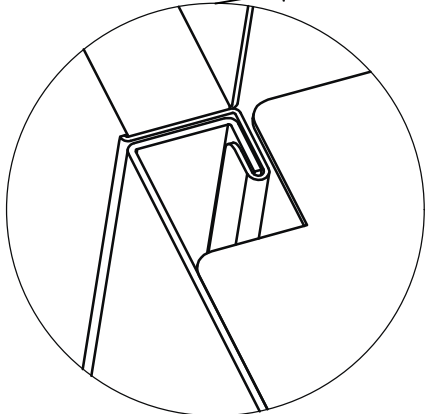
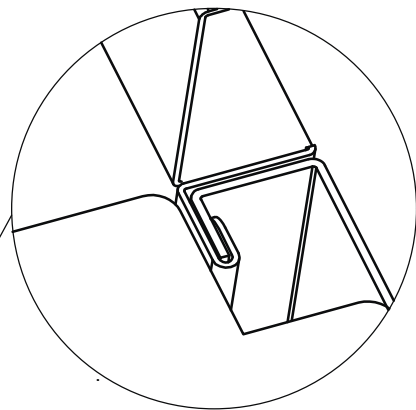
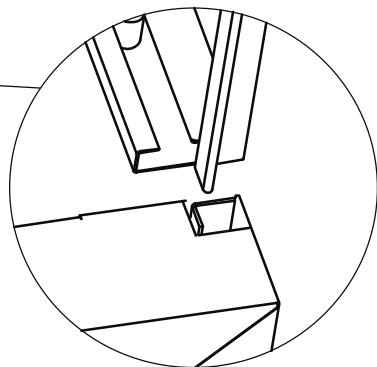
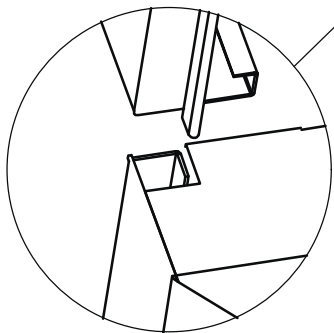
TX1

1

B

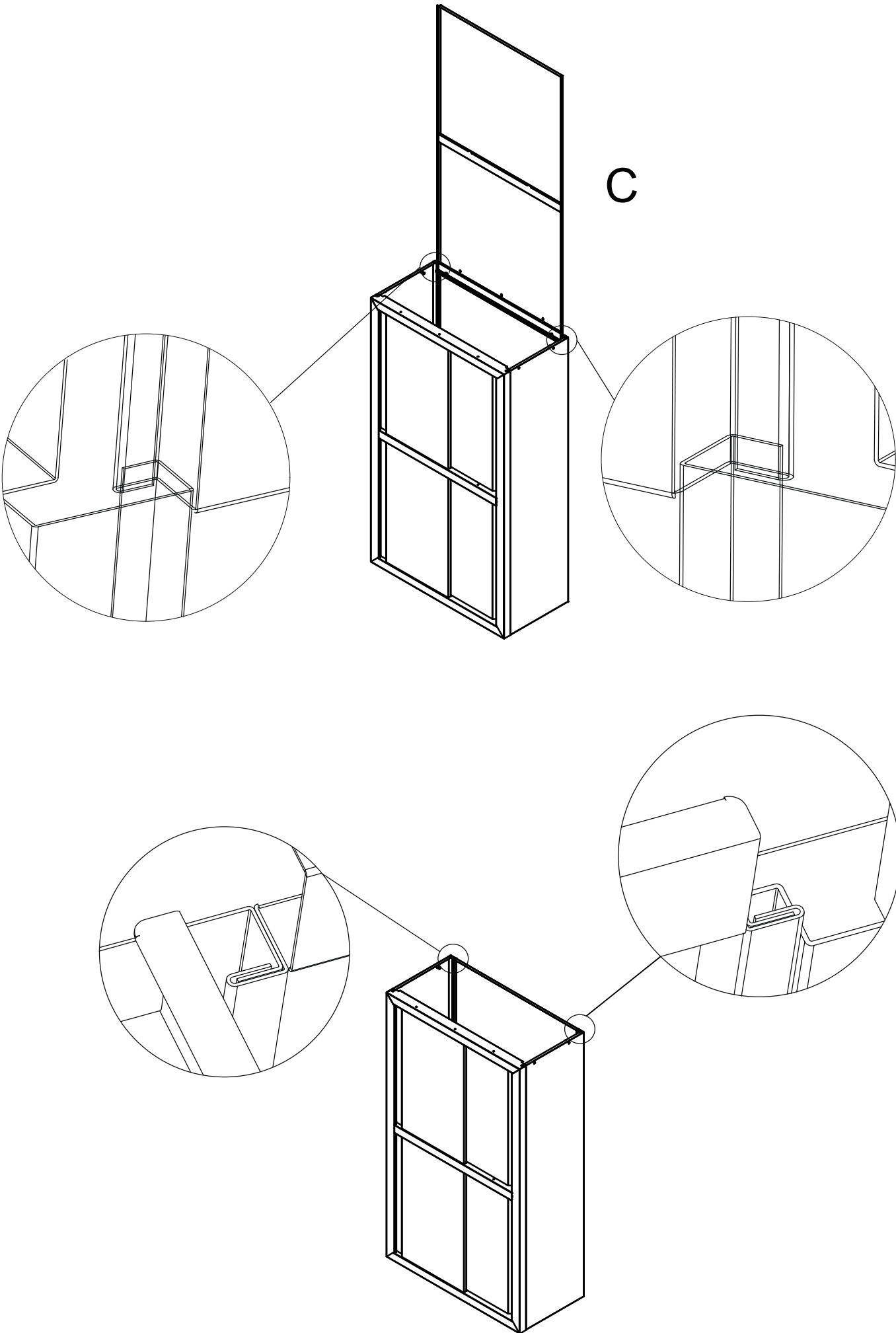
B

A

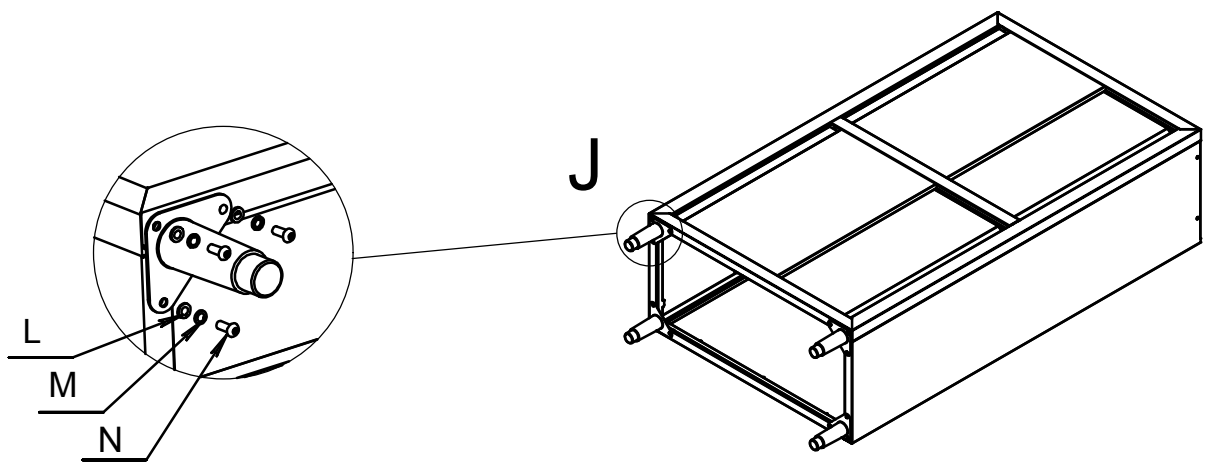


2

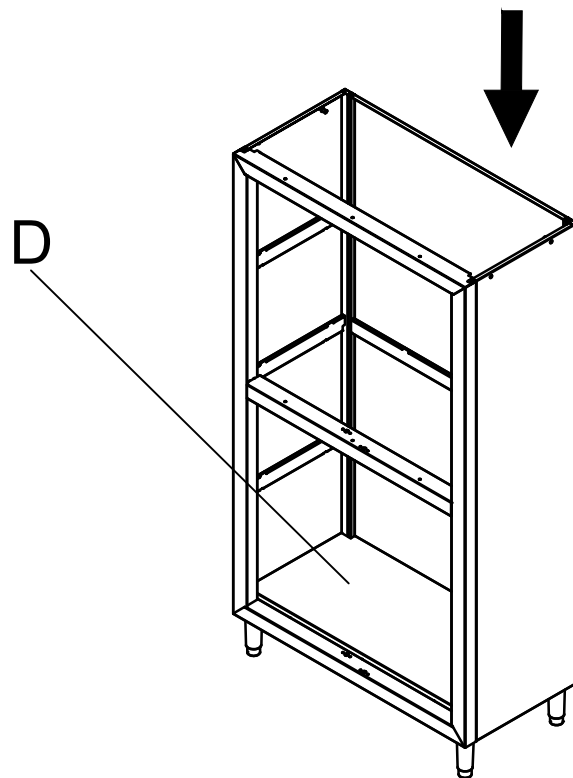
C



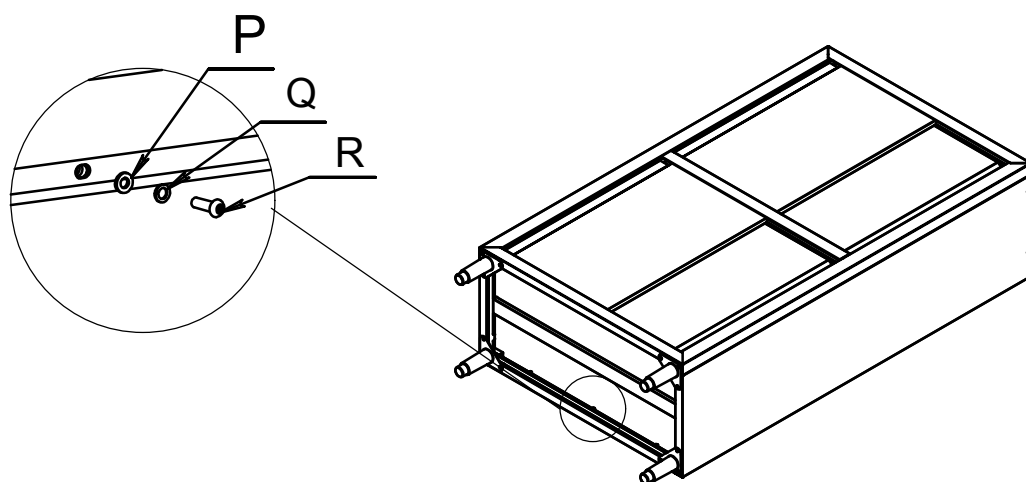
3



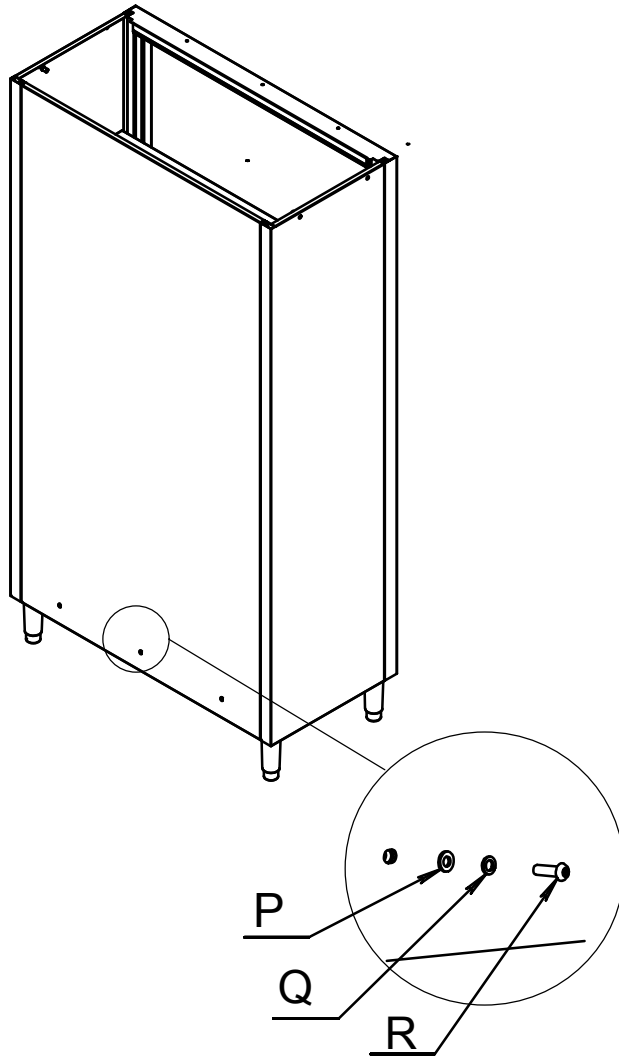
4



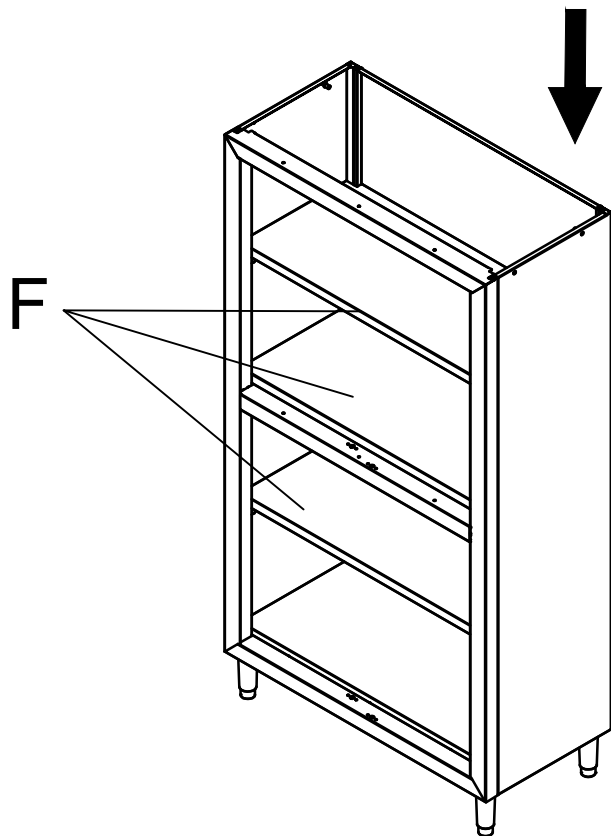
5



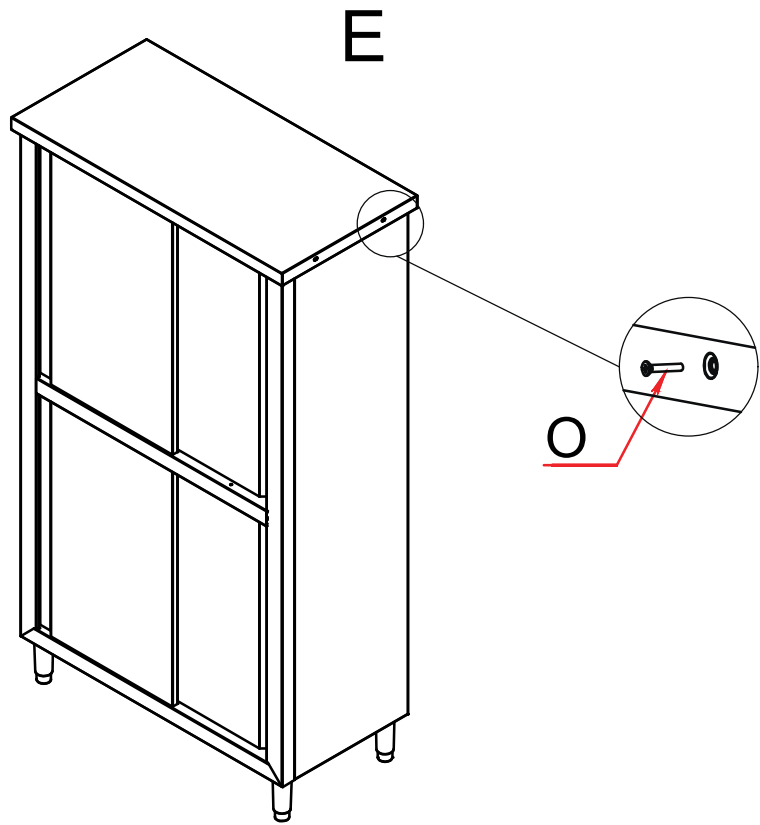
6



7



8



9

