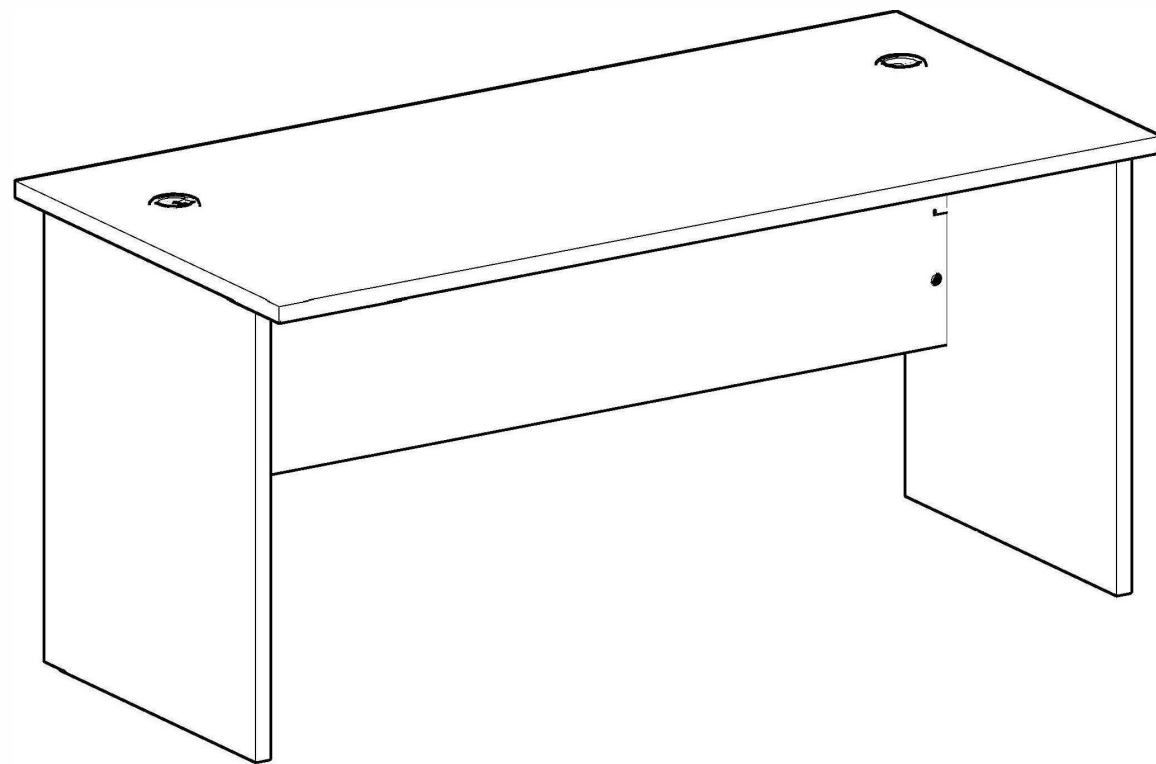
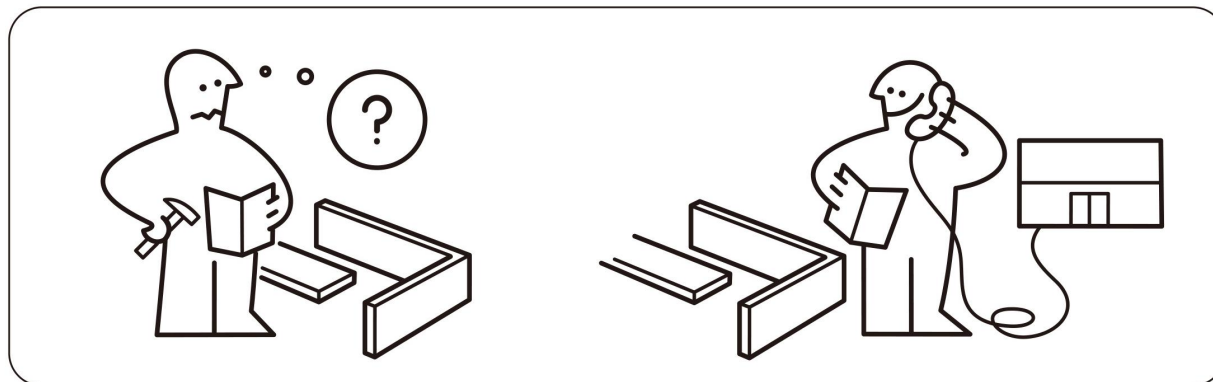
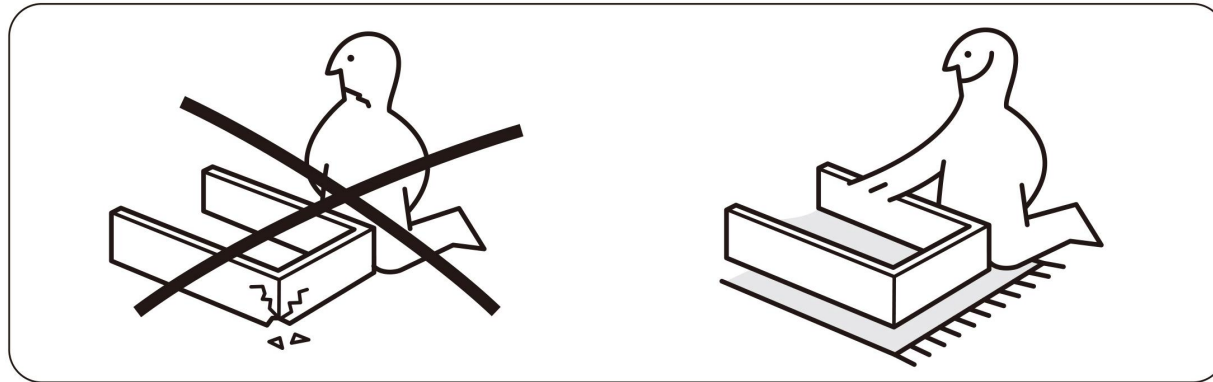
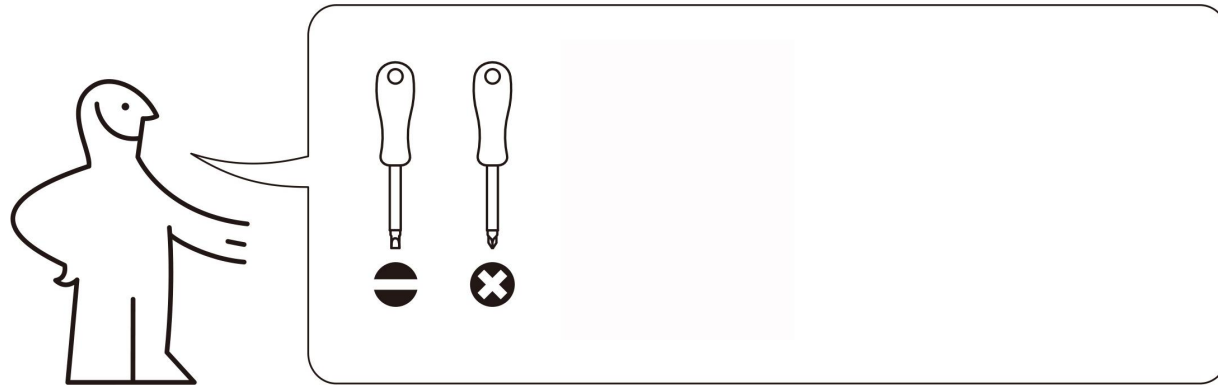
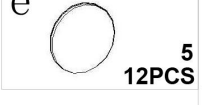
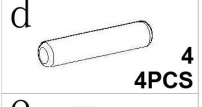
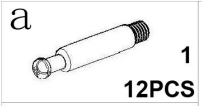


B2Bpartner[®]

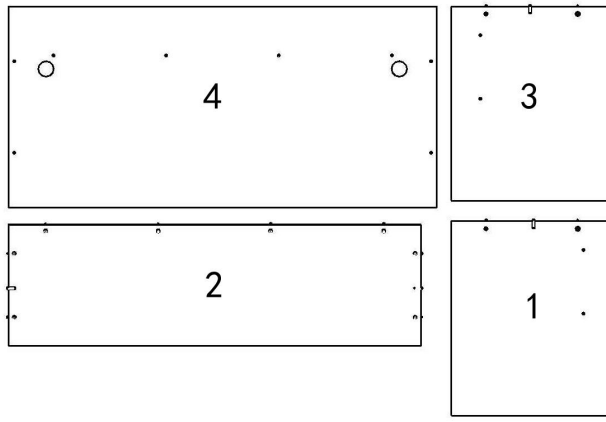




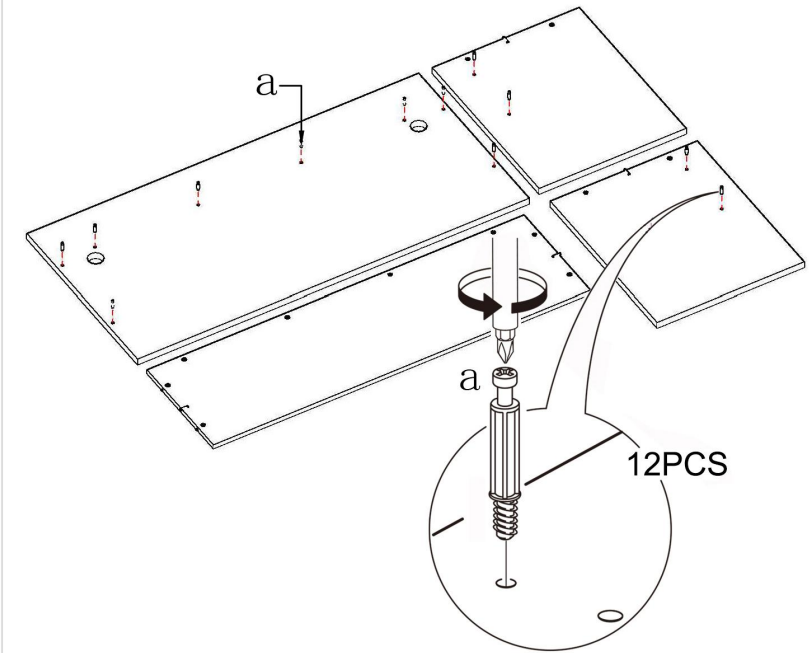


pcs / ks / Stck

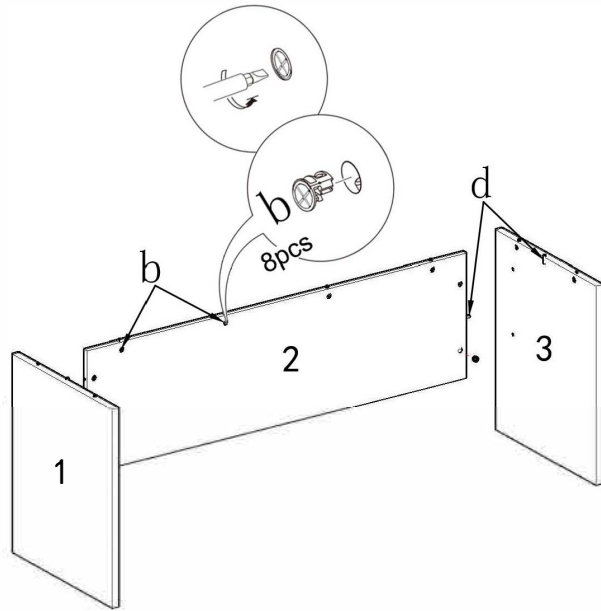
1



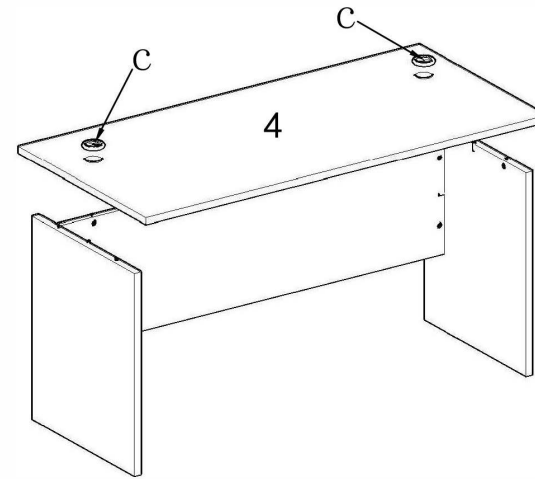
2



3



4



5



Warranty

1. This product is covered by a 3-year warranty against manufacturing defects. The warranty is void if the product is damaged due to misuse, neglect, or unauthorized repairs.

2. The warranty does not cover damage caused by fire, flood, or other external factors. It also does not cover the cost of labor or transportation charges.

3. To claim the warranty, you must provide proof of purchase and a detailed description of the defect. The manufacturer will inspect the product and, if necessary, provide a replacement or repair at no cost to you.

4. For more information, please contact our customer service department at 1-800-555-1234.