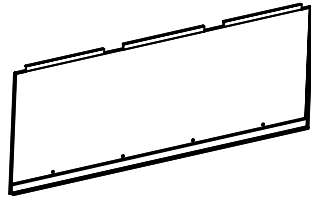
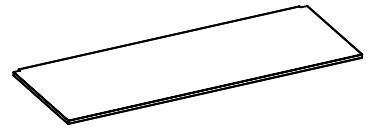


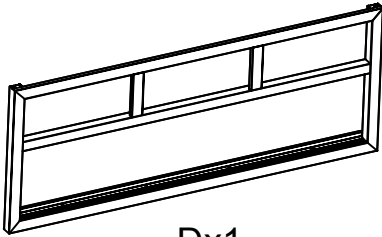
Ax1



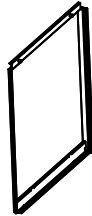
Bx1



Cx1



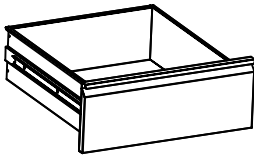
Dx1



Ex1



Fx1



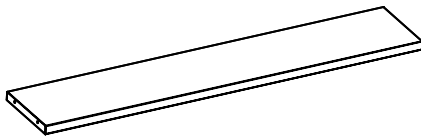
Gx3



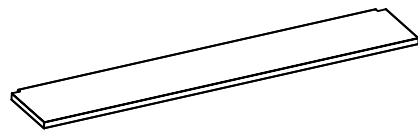
Hx1



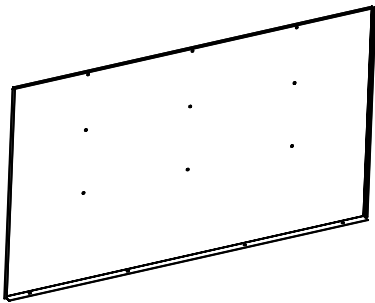
Ix1



Jx1



Kx2



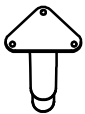
Lx1



Mx1



Nx1



Ox4



Px12



Qx12



Rx12



Sx8



Tx8



Ux29

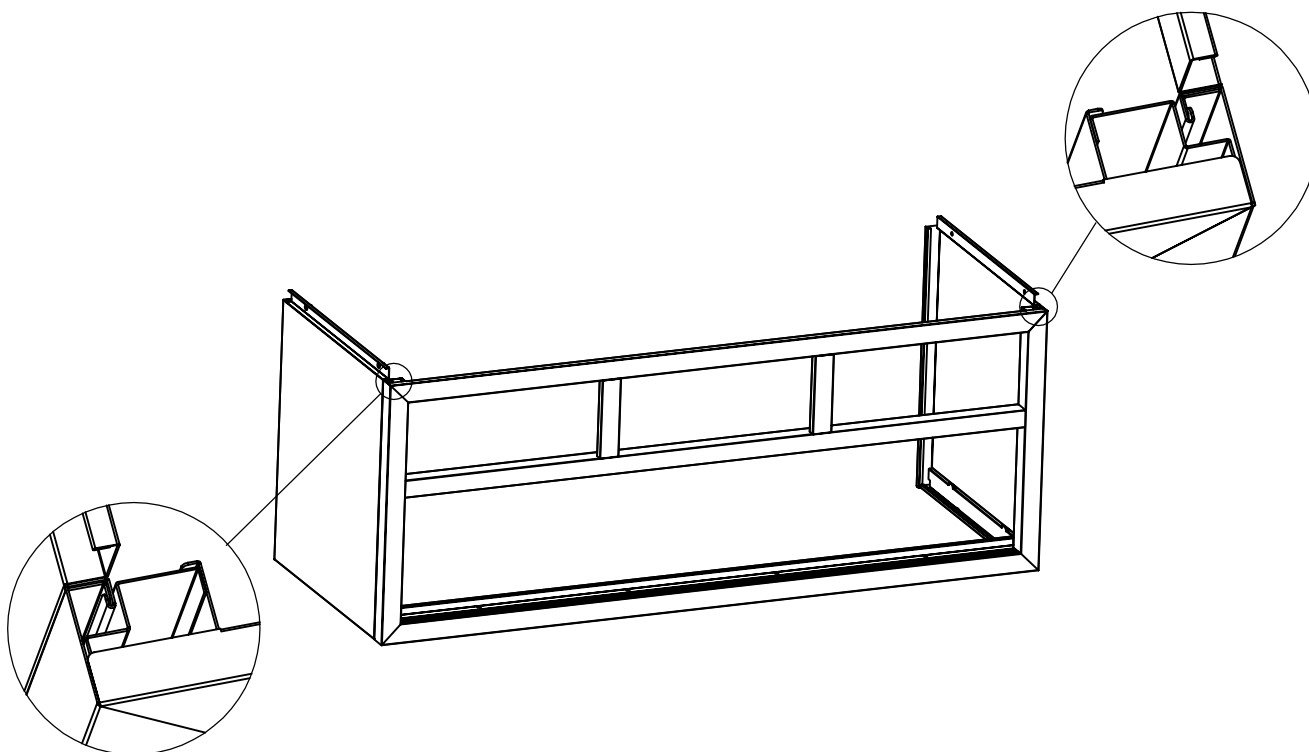
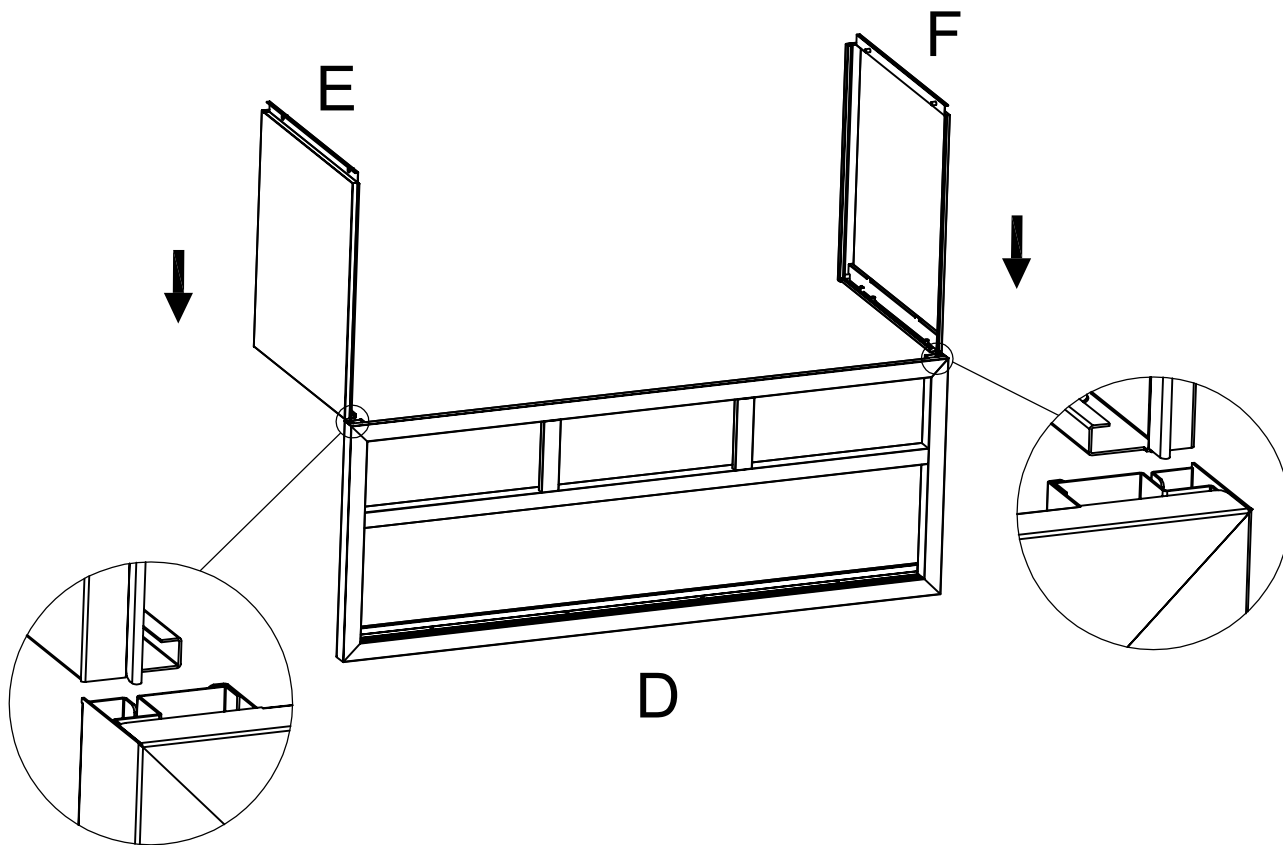


Vx4

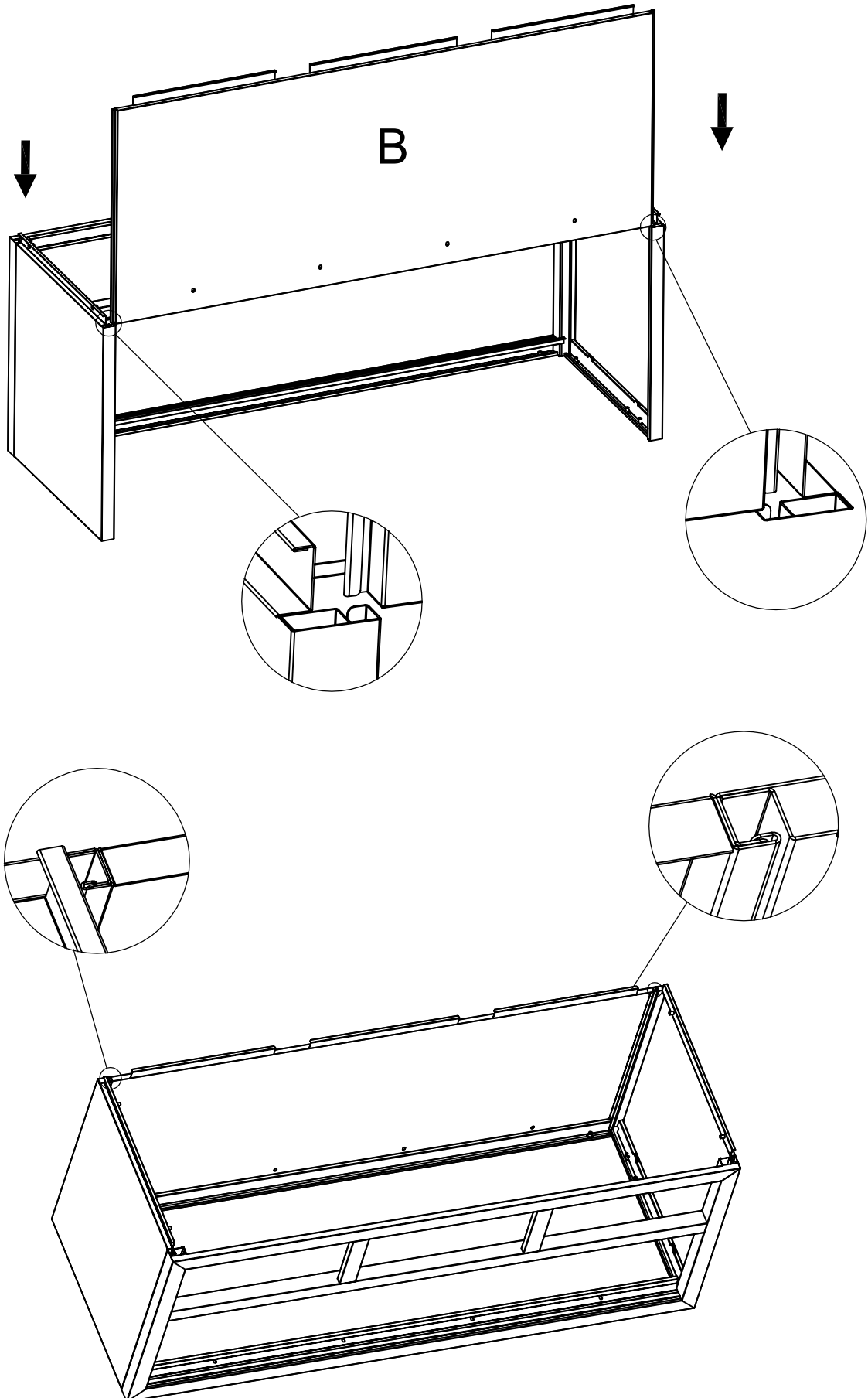


Wx1

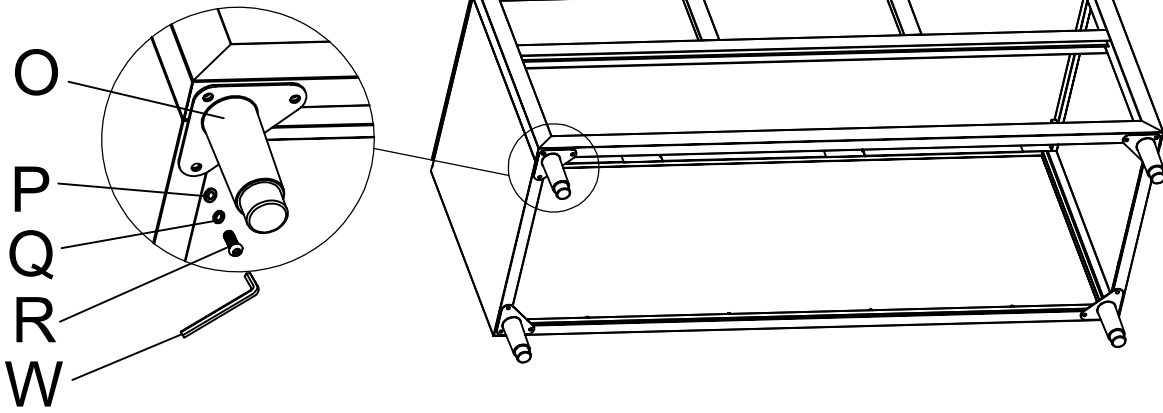
1



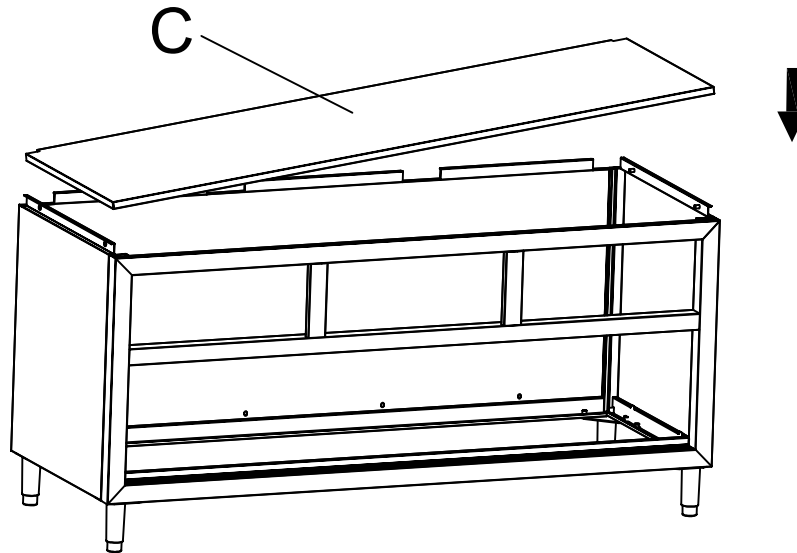
2



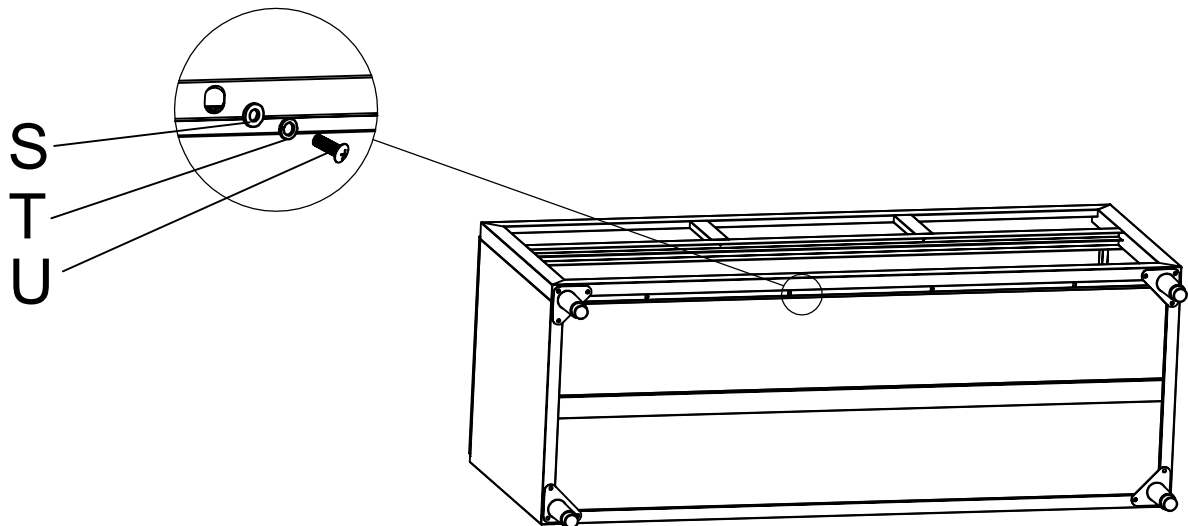
3



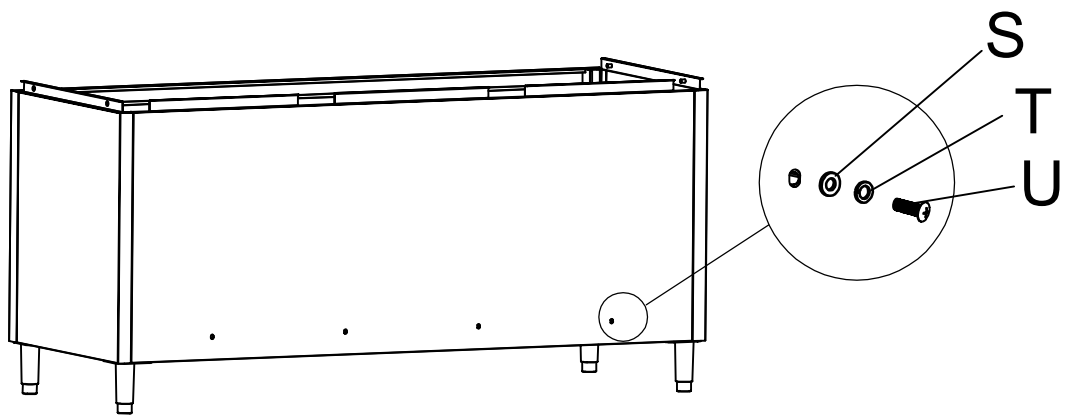
4



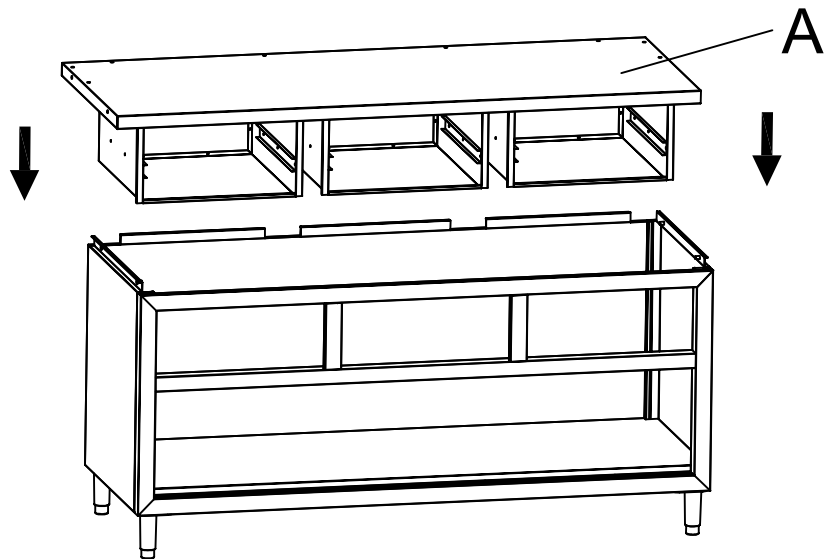
5



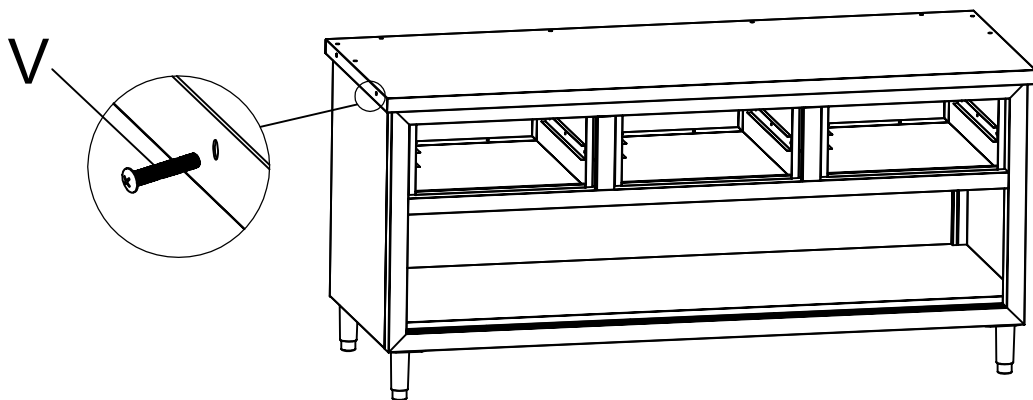
⑥



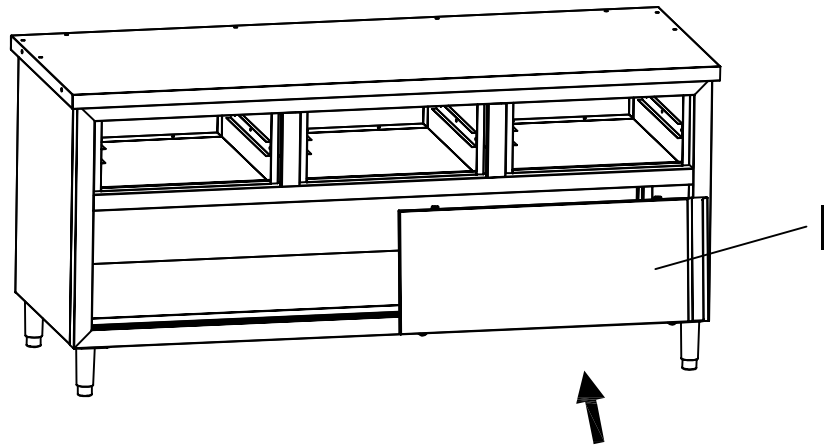
⑦



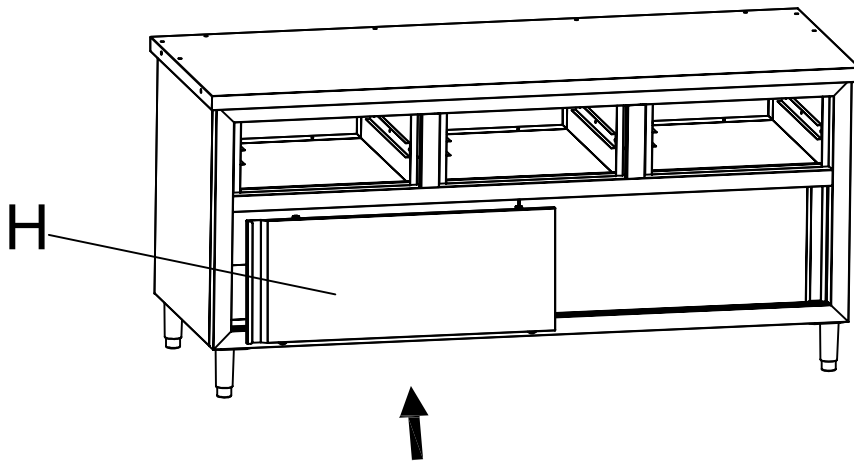
⑧



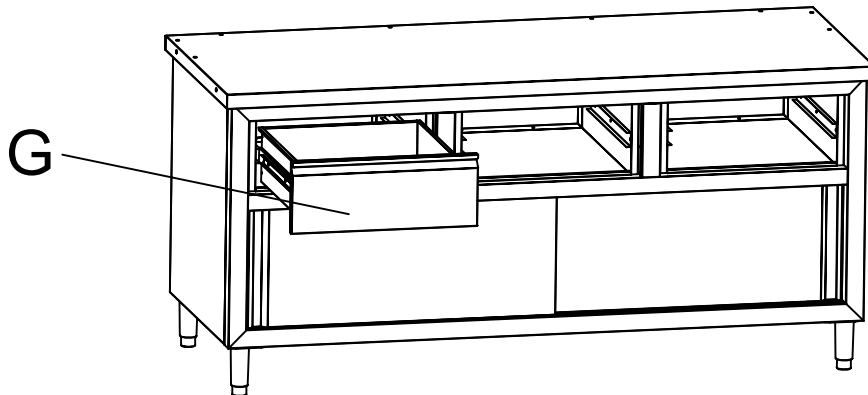
9



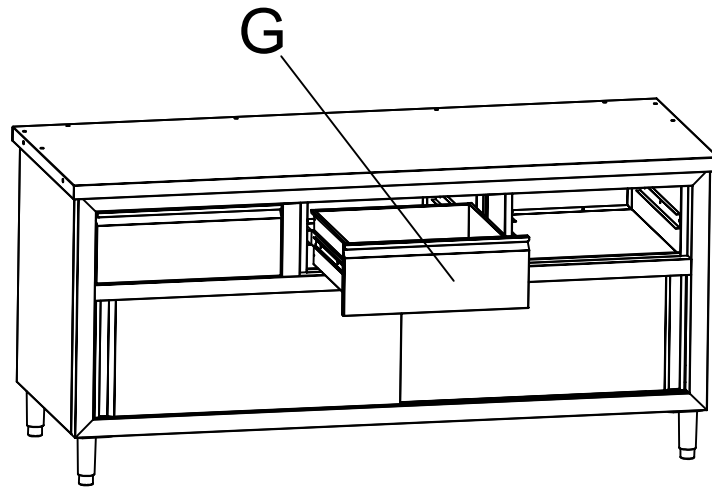
10



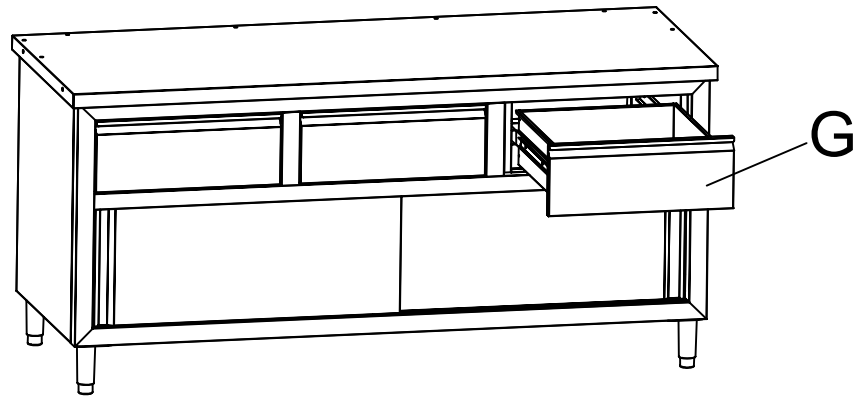
11



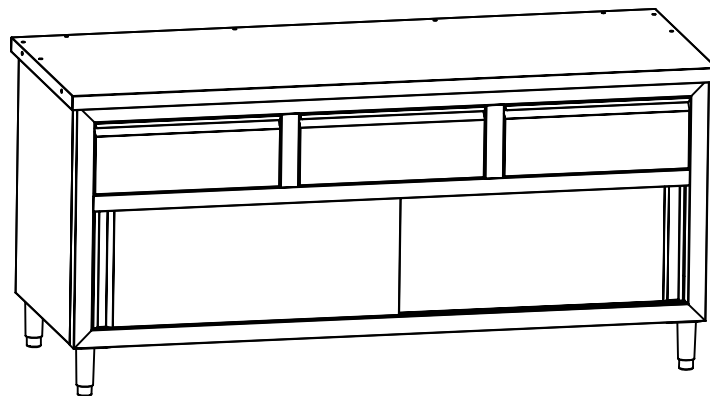
12



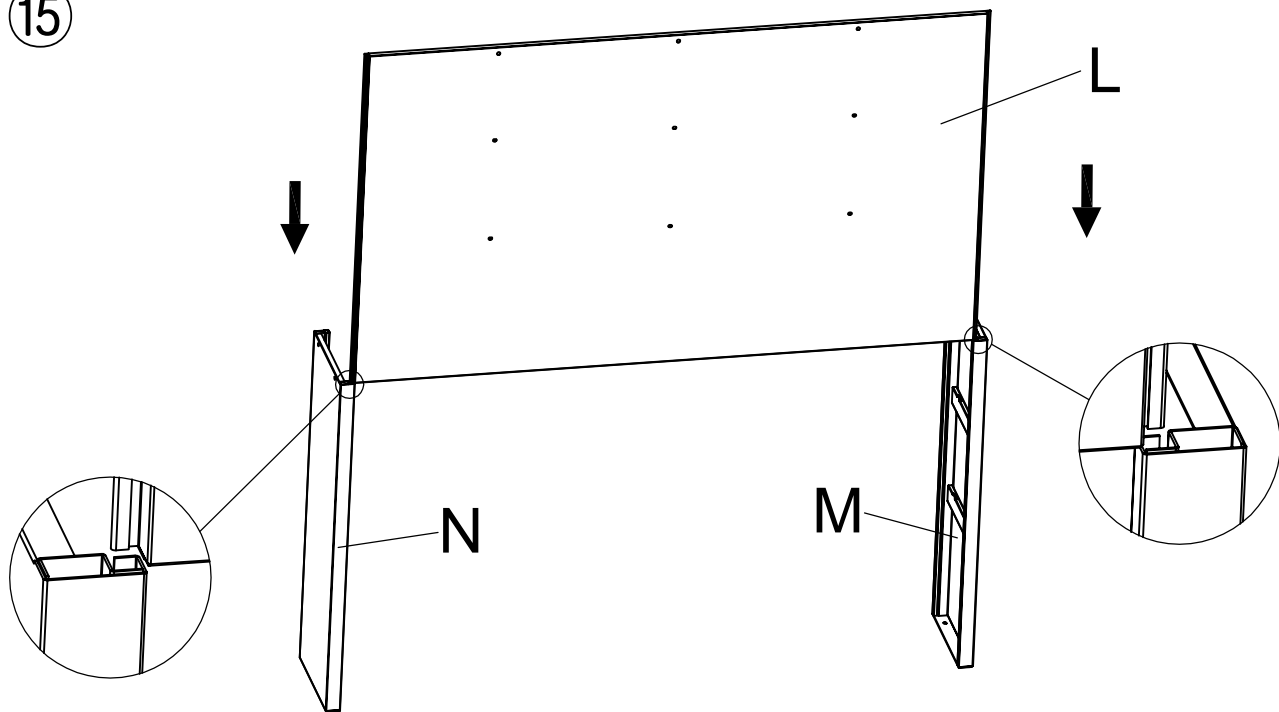
13



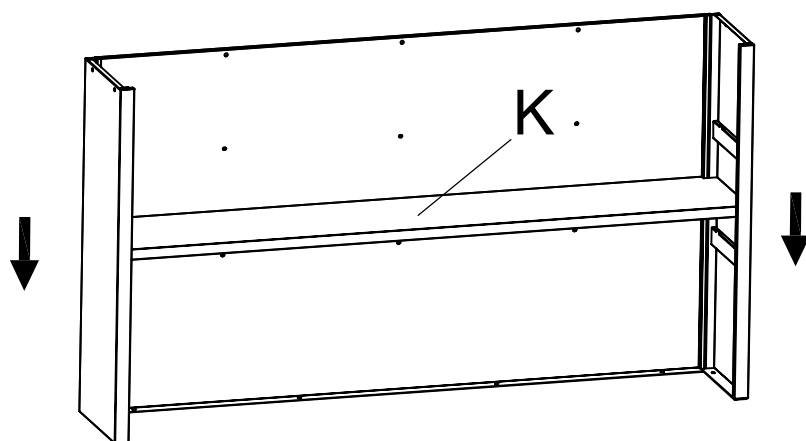
14



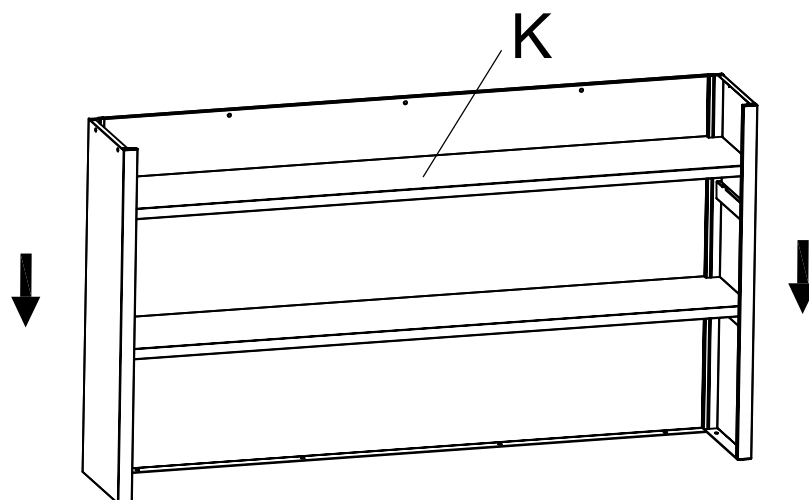
15



16

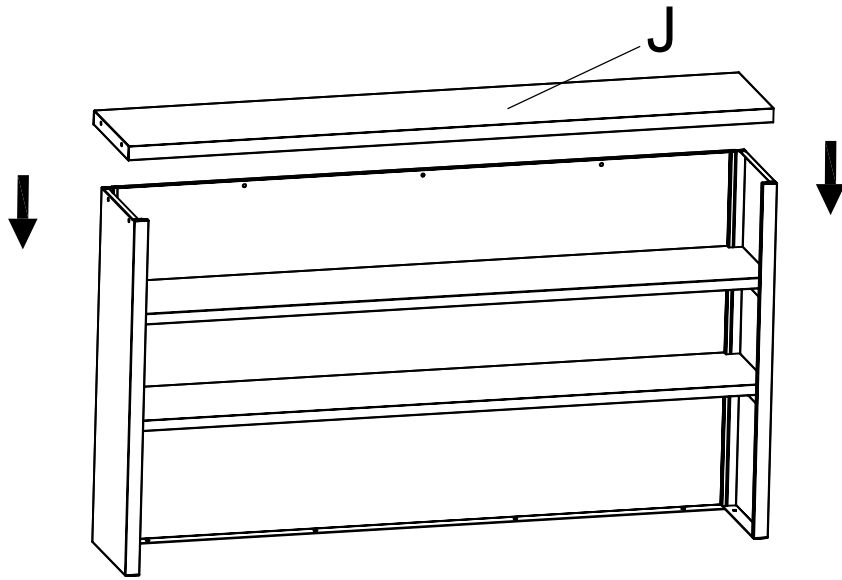


17

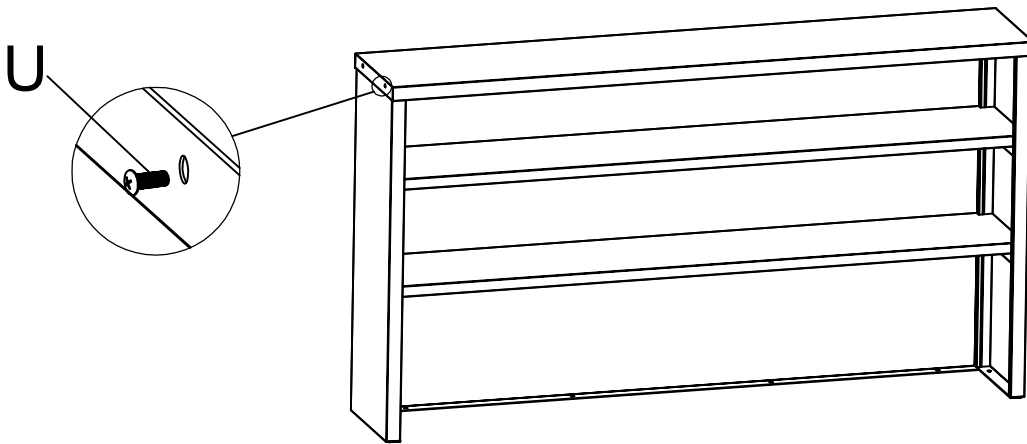




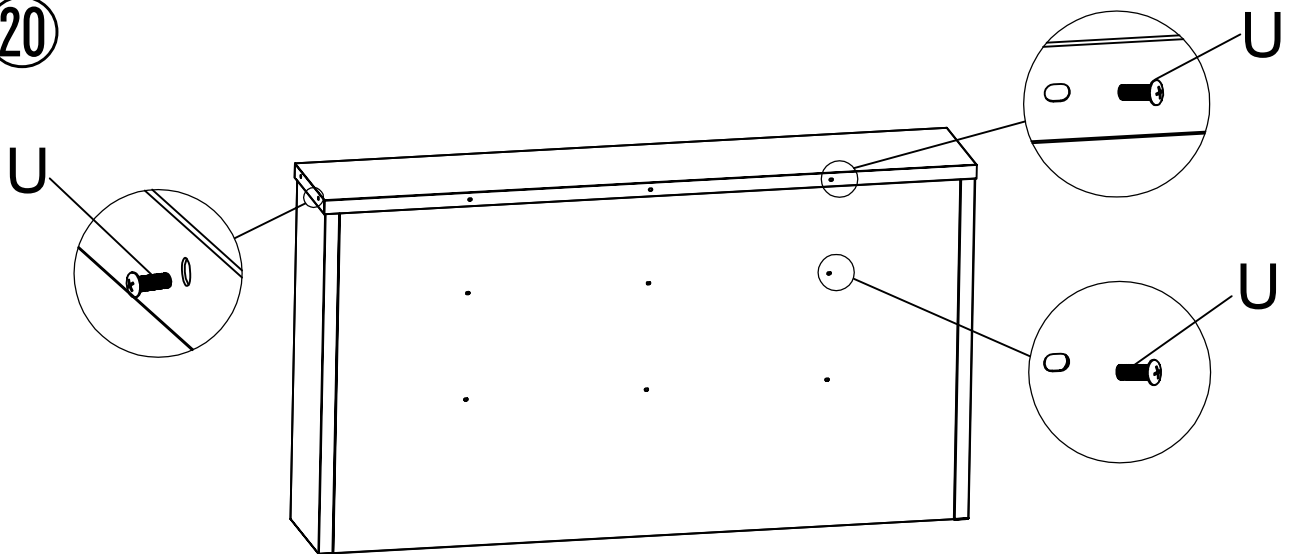
18



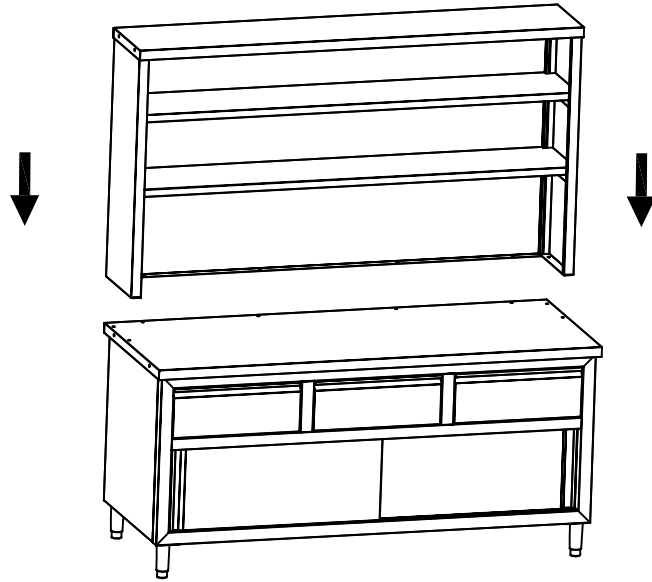
19



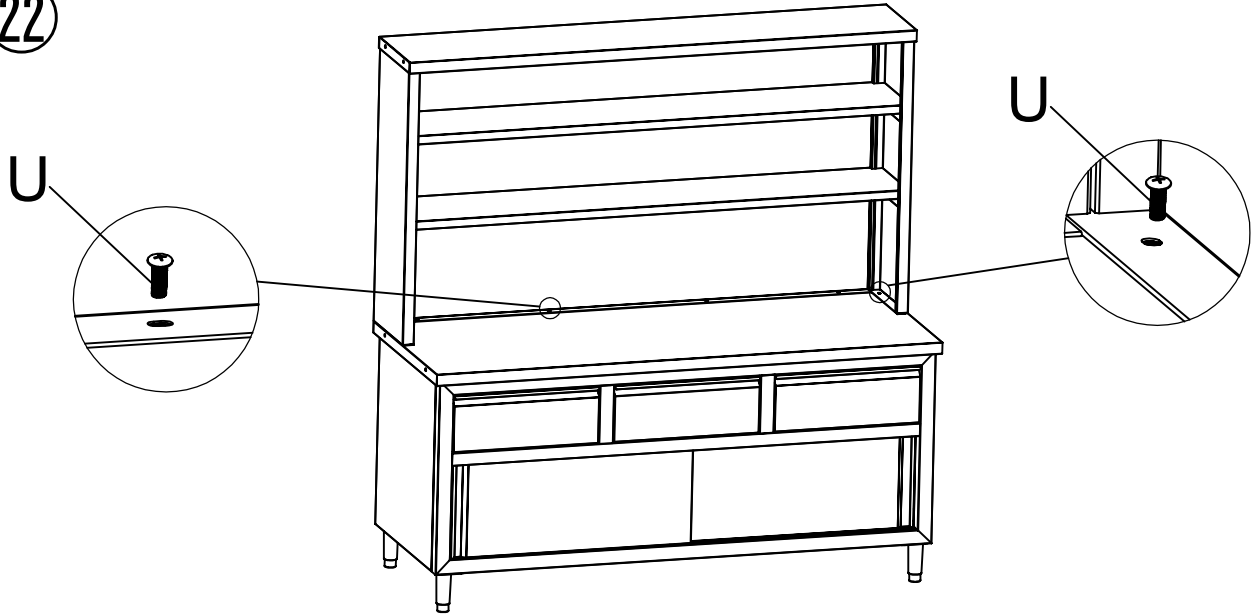
20



21



22



23

