

COOL BOX

EN DE CZ SK HU PL

C&F 40 I

C&F 50 I

C&F 60 I



۱۲۱



Thank you for purchasing our product.

Before using this unit, please read this manual in order to avoid improper handling and use of the device.

Safety instructions

1. General safety

Danger: On boats: If the appliance is powered by the mains, ensure that the powder supply has a residual current circuit breaker.

Warning:

- Do not operate the device if it is visibly damaged.
- This device may only be repaired by qualified personnel.
- Improper repairs can lead to considerable hazards.
- Persons(including children) whose physical, sensory or mental capacities or whose lack of experiences or knowledge prevent them from using this product safety should not operate it without the supervision or instruction of a responsible person.
- Electrical devices are not toys.
- Always keep and use the device out of the reach of children.
- Children must be supervised to ensure that they do not play with the device.
- If this device's power cable is damaged, it must be replaced by the manufacturer, customer service or a similar qualified person in order to prevent safety hazards.
- Do not store any explosive substances such as spray cans with propellants in the device.

Caution:

- Disconnect the device from the mains
 - before cleaning and maintenance
 - after use
- Food may only be stored in its original packaging or in suitable containers.

Notice:

- Only connect the device as follows:
 - With the DC cable to a DC plug socket in the vehicle(e.g. cigarette lighter)
 - Or with the 230 V connection cable to the 230 V AC mains supply
- Check that the voltage specification on the type plate corresponds to that of the energy supply.
- The cooling device is not suitable for transporting caustic materials or materials containing solvents.
- Never pull the plug out of the socket by the cable.
- If the freezer is connected to the DC socket: Disconnect the cooler and other power consuming devices from the battery before connecting the quick charging device.
- If the freezer is connected to the DC socket: Disconnect the cooler or switch it off when you turn off the engine. Otherwise you may discharge the battery.

2. Operating the device safely

Danger: Do not touch exposed cables with your bare hands. This especially applies when operating the device with an AC mains power supply.

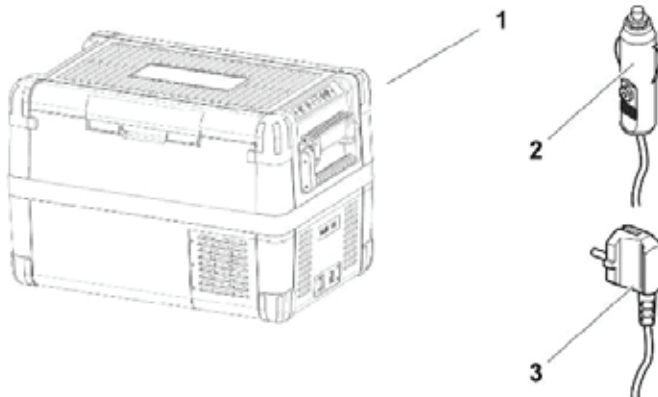
Caution:

- Before starting the device, ensure that the power supply line and the plug are day.

Notice:

- Do not use electrical devices inside the cooler unless they are recommended by the manufacturer for the purpose.
- Do not place the device near naked flames or other heat sources (heaters, direct sunlight, gas ovens etc.).
- Danger of overheating!
- Ensure at all times that there is sufficient ventilation so that the heat that arises during operating does not build up. Make sure that the device is sufficiently far away from walls and other objects so that the air can circulate.
- Ensure that the ventilation slots are not covered.
- Do not fill the inner container with ice or fluid.
- Never immerse the device in water.
- Protect the device and the cable against heat and moisture.

Scope of delivery



1. Cooler
2. Connection cable for 12/24 V DC-connection
3. Connection cable for 220-240 V AC-connection

Intended use

The Freezer is suitable for cooling and freezing foods. The device is also suitable for use on boats. The device is designed to be operated from a 12 V---or 24 V---on-board supply socket of a vehicle (e.g. cigarette lighter), boat for caravan as well as from a 220-240 V AC mains.

Function description

The Freezer can chill products, keep them cool as well as freeze them. A low maintenance refrigerant circuit with compressor provides the cooling. The generous insulation and powerful compressor ensure efficient and fast cooling.

The freezer is portable.

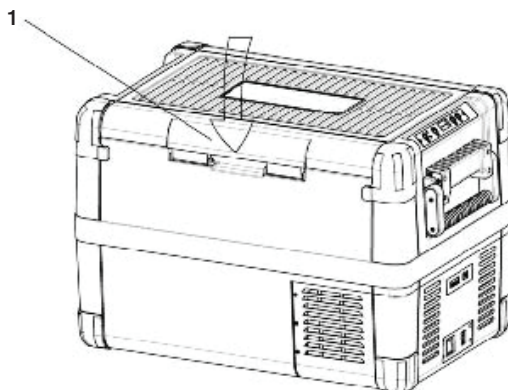
The freezer can withstand a constant heel (inclination) of 30°, for example when used on boats.

Scope of functions

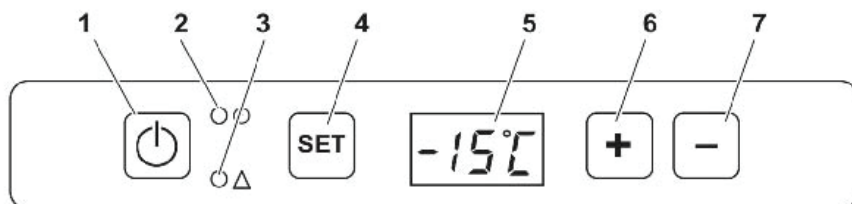
- Power supply with priority circuit for connecting to the AC mains
- Three-level battery monitor to protect the vehicle battery
- Display with temperature gauge in °C and °F
- Switches off and automatically at low battery voltage
- Temperature setting: With two buttons in steps of 1°C (2°F)
- Foldable carrying handles
- Emergency switch (where fitted)
- Removable wire basket

Operating and display elements

1. Latch for lid

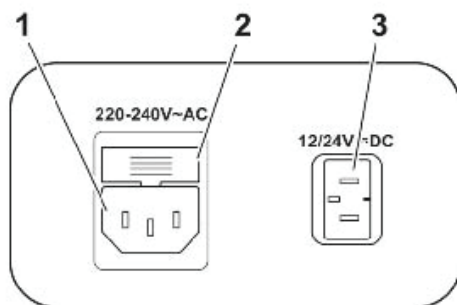


Operating panel



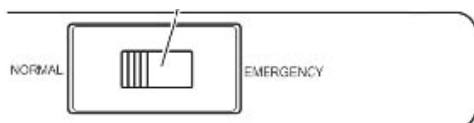
Item	Description	Explanation
1	ON OFF	Switches the cooler on or off when the button is pressed for between one and two seconds
2	POWER	Status indication LED lights up green: Compressor is on LED lights up orange: Compressor is off LED flashes orange: display switched off automatically due to low battery voltage
3	ERROR	LED flashes red: Device is switched on but not ready for operation
4	SET	Selects the input mode -Temperature setting -Celsius or Fahrenheit display -Set battery monitor
5	DISPLAY	Display, shows the information
6	UP +	Press once to increase the value
7	DOWN -	Press once to decrease the value

Connection sockets



Item	Description
1	Connection socket AC voltage supply
2	Fuse holder
3	Connection socket DC voltage supply

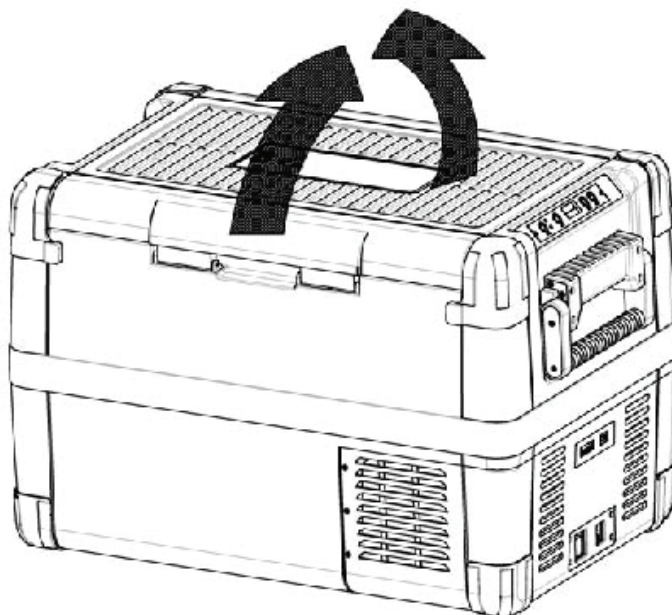
Emergency switch



Operation

Before initial use

Note: Before starting your new cooler for the first time, you should clean it inside and outside with a damp cloth for hygienic reasons (please also refer to the “cleaning and maintenance”).



The lid can be removable, or can be opened from either side in an instant, 2 ways opening – left or right.

Selecting the temperature units

Temperature display units can be switched between Celsius and Fahrenheit as follows:

- Switch on the cooler.
- Press the “SET” button twice.
- Use the UP+ or DOWN – buttons to select Celsius or Fahrenheit.

The selected temperature units then appear in the display for a few seconds. The display flashes several times before it returns to the current temperature.

Energy saving tips

- Choose a well ventilated installation location which is protected against direct sunlight
- Allow warm food to cool down first before placing it in the device to keep cool.
- Do not open the cooling device more often than necessary.
- Do not leave the cooler unit open for longer than necessary.
- Defrost the cooler once a layer of ice forms.
- Avoid unnecessary low temperatures.

Connecting the cooler

Connecting to a battery(Vehicle or boat)

The cooler can be operated with 12 V or 24 V

Notice: Danger of damage!

- Disconnect the cooler and other consumer units from the battery before you connect the battery to a quick charging device.
- Overvoltage can damage the electronics of the device.
- For safety reasons the cooler is equipped with an electronic system to prevent the polarity reversal. This protects the cooler against short-circuiting when connecting to a battery.
- Plug the 12/24 V connection cable into the device DC voltage socket and also into a 12 V or 24 V cigarette lighter socket.

Connecting to a 220-240 V AC mains

Danger: Danger of electrocution!

- Never handle plugs and switches with wet hands or if you are standing on a wet surface.
- If you are operating your cooler on board a boat from a mains connection of 220-240 V~, you must install a residual current circuit breaker between the 220-240 V AC mains and the cooler.
- Seek advice from a trained technician.
- The cooler have an integrated multi-voltage power supply with priority circuit automatically switches the cooler to mains operation, if the device is connected to a 220-240 V AC mains, even if the 12/24V connection cable is still attached.
- Plug the 220-240 V connection cable into the device AV voltage socket and connect it to the 220-240 V AC voltage mains

Notice: Danger of damage!

When switched off by the battery monitor, the battery will no longer be full charged. Avoid starting repeatedly or operating current consumers without longer charging phases. Ensure that the battery is recharged!

In “HIGH” mode, the battery monitor responds faster than at the levels “LOW” and “MED”(see the following table).

Battery monitor mode	LOW	MED	HIGH
Switch-off voltage at 12 V	10.1 V	11.4 V	11.8 V
Restart voltage at 12 V	11.1 V	12.2 V	12.6 V
Switch-off voltage at 24 V	21.5 V	24.1 V	24.6 V
Restart voltage at 24 V	23.0 V	25.3 V	26.2 V

The battery monitor mode can be selected as follows:

- Press the “SET” button three times
- Use the “UP+ ” or “DOWN – ” buttons to select the battery monitor mode.
- Digital display will be as follows:

Lo(Low), Md(MED), Hi(HIGH)

- The selected mode then appears in the display for a few seconds. The display flashes several times before it returns to the current temperature.

Using the freezer

Notice! Danger of overheating!

Ensure at all times that there is sufficient ventilation so that the heat that generated during operation can dissipate. Ensure that the ventilation slots are not covered. Make sure that the device is sufficiently far away from walls and other objects so that the air can circulate.

- Place the Freezer on a firm foundation.

Make sure that the ventilation slots are not covered and that the heated air can dissipate.

Note: Place the freezer as shown. If you operate the box in a different position it can be damaged.

Notice: Danger from excessively low temperature!

Ensure that the only those objects are placed in the cooler that are intended to be cooled at the selected temperature.

- Press the “ON/OFF” button for between one and two seconds.
- The LED lights up
- The display switches on and shows the current cooling temperature.

Note: The temperature displayed is that of the middle of the large interior compartment.

Note: When operating with the battery, the display switches off automatically if the battery voltage is low. The LED flashes orange.

Latching the cooler lid

- Close the lid.
- Press the latch down, until it latches in place audibly.

Setting the temperature

- Press the “SET” button once.
- Use the “UP + and “DOWN – buttons to select the cooling temperature.

The cooling temperature appears in the display for a few seconds. The display flashes several times then the current temperature is displayed again.

Using the emergency switch

The emergency switch is located below the control panel. For normal operation the switch is in the “NORMAL USE” position.

If an electronic control failure occurs, slide the switch to “EMERGENCY OVERRIDE” position

Note: If the switch is in the “EMERGENCY OVERRIDE” position, the cooler freezes with full cooling capacity.

Switching off the Freezer

- Empty the Freezer.
- Switch the Freezer off.
- Pull out the connection cable.

If you do not want to use the freezer for a longer period of time:

Leave the cover slightly open. This prevents odour build-up.

Defrosting the cooler

Humidity can form frost in the interior of the cooling devices or on the evaporator. This reduces the cooling capacity. Defrost the device in good time to avoid this.

Notice: Danger of damage!

Never use hard or pointed tools to remove ice or to loosen objects which have frozen in place.

To defrost the freezer, proceed as follows:

- Take out the contents of the cooling device.
- If necessary, place them in another cooling device to keep them cool.
- Switch off the device.
- Leave the lid open.
- Wipe off the defrosted water.

Replacing the device fuse

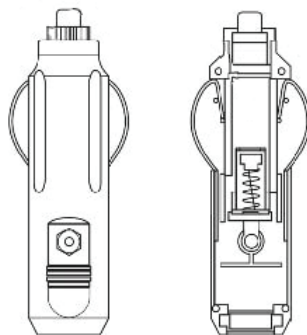
Danger: Danger of electrocution!

Disconnect the connection cable before you replace the device fuse.

- Pull off the connection cable.
- Pry out the fuse insert with a screwdriver.
- Replace the defective fuse with a new one that has the same rating.
- Press the fuse insert back into the housing.

Replacing the plug fuse (12/24 V)

- Turn anticlockwise the cap to move it and pin from the plug.
- Press one end of defective fuse with a new one that has the same rating
- Re-assemble the plug in the reverse order.



Cleaning and maintenance

Warning: Always disconnect the device from the mains before you clean and service it.

Notice: Risk of damage

- Never clean the cooler under running water or in dish water.
- Do not use abrasive cleaning agents or hard objects during cleaning as these can damage the cooler.
- Occasionally clean the device interior and exterior with a damp cloth.

Troubleshooting

Fault	Possible cause	Suggested remed
Device does not function, LED does not glow.	There is no voltage present in the 12/24 V socket (cigarette lighter) in your vehicle.	The ignition must be switched on in most vehicles to apply current to the cigarette lighter.
	No voltage present in the AC voltage socket.	Try using another plug socket.
	The device fuse is defective.	Replace the device fuse, see “Replacing the device fuse”.
	The integrated mains adapter is defective.	This can only be repaired by an authorized repair centre.
The device does not cool (plug is inserted “POWER” LED is lit).	Defective compressor.	This can only be repaired by an authorized customer services unit.
The device does not cool (plug is inserted, “POWER” LED flashed orange, display is switched off).	Battery voltage is too low.	Test the battery and charge it as needed.
When operating from the 12/24-V socket (cigarette lighter): The ignition is on and the device is not working and the LED is not lit. Pull the plug out of the socket and make the following checks.	The cigarette lighter socket is dirty. This results in a poor electrical contact.	If the plug of your cooler becomes very warm in the cigarette lighter socket, either the lighter socket must be cleaned or the plug has not been assembled correctly.
	The fuse of the 12/24 V plug has blown.	Replace the fuse(10A) in the 12/24 V plug, see “ Replacing the plug fuse(12/24 V)”.
	The Vehicle fuse has blown.	Replace the vehicle’s 12/24 V socket fuse(usually 15 A). Please refer your vehicle’s operating manual.
The display shows an error message(e.g. “Err1”) and the appliance does not cool.	The appliance has switched off due to an internal fault.	This can only be repaired by an authorized repair centre.

Technical data

	ECF40	ECF50	ECF60
Connection voltage:	DC 12/24 V +AC 100-240 V		
Max. Power consumption:	96 W	96 W	96 W
Cooling capacity:	-20°C to +10°C		
Category:	1		
Energy efficiency class:	A++		
Gross volume:	40 l	50 l	60 l
Climate class:	N, T		
Ambient temperature:	+16°C to +43°C		
Noise emission:	43 dB(A)		
Dimensions(W*H*D)in mm:	714x453x423,5	714x453x468,5	714x453x523,5
Weight:	20 Kg	21,5 Kg	23 Kg

Note: If the ambient temperature is above +32°C (+90°F), the minimum temperature cannot be attained.

The English version of the manual is an exact translation of the original manufacturer's instructions. Images used in this manual are for illustrational purposes only and may differ from the actual product.



Vielen Dank, dass Sie sich für unser Produkt entschieden haben.

Lesen Sie bitte vor dem Gebrauch diese Gebrauchsanweisung sorgfältig durch.

Sicherheitshinweise

1. Allgemeine Sicherheitsanweisungen

Gefahr: Auf Schiffen: Wenn das Gerät vom Netz versorgt wird, dann muss sichergestellt werden, dass die Stromversorgungsleitung einen Fehlerstromschutzschalter hat.

Warnung:

- Betreiben Sie das Gerät nicht, wenn es sichtbare Beschädigungen aufweist.
- Dieses Gerät darf nur von Fachpersonal repariert werden.
- Durch unsachgemäße Reparaturen können erhebliche Gefahren entstehen.
- Personen (einschließlich Kinder), deren physische, sensorische oder geistige Fähigkeiten oder denen ein Mangel an Erfahrungen oder Kenntnissen es verwehrt dieses Produkt zu verwenden, sollten dieses Gerät nicht ohne Aufsicht oder Anweisung durch eine verantwortliche Person benutzen.
- Elektrische Geräte sind keine Spielzeuge.
- Halten Sie das Gerät fern von Kindern und benutzen Sie es so, dass es nicht in die Hände von Kindern gelangen kann.
- Kinder müssen beaufsichtigt werden, um sicherzustellen, dass sie nicht mit dem Gerät spielen.
- Wenn das Netzkabel des Gerätes beschädigt wird, muss es vom Hersteller, den Kundendienst oder einer qualifizierte Person ersetzt werden, um Sicherheitsrisiken zu verhindern.
- Es dürfen keine explosiven Stoffe, wie z.B. Spraydosen mit Treibmittel im Gerät gelagert werden.

Vorsicht:

- Trennen Sie das Gerät vom Stromnetz
 - vor Reinigung und Wartung
 - nach dem Gebrauch
- Lebensmittel dürfen nur in der Originalverpackung oder in geeigneten Behältern aufbewahrt werden.

Hinweis:

- Schließen Sie das Gerät wie folgt an:
 - Mit dem DC-Kabel an eine DC-Steckdose im Fahrzeug (z.B. Zigarettenanzünder),
 - oder mit dem 230 V Verbindungskabel an das 230 V Wechselstromnetz
- Überprüfen Sie, ob die Spannungsangaben auf dem Typenschild den Angaben ihrer Energieversorgung entsprechen.
- Die Kühlvorrichtung ist nicht geeignet für den Transport von ätzender Materialien oder lösemittelhaltiger Stoffe.
- Ziehen Sie niemals am Kabel um den Netzstecker aus der Steckdose zu ziehen.
- Wenn das Gefriergerät an die DC-Buchse ausgeführt: Vor dem Anschluss des Schnellladegerät Trennen Sie die Kühler und andere Stromverbraucher von der Batterie.
- Wenn das Gefriergerät an die DC-Steckdose angeschlossen ist: Ziehen Sie den Kühler aus der

Steckdose oder schalten Sie ihn aus, wenn Sie den Motor abstellen. Ansonsten könnten Sie die Batterie entladen.

2. Der sichere Betrieb des Geräts

Gefahr: Berühren Sie nie mit bloßen Händen frei-liegende Kabel. Dies gilt insbesondere beim Betrieb des Geräts mit 230 V Netzversorgung.

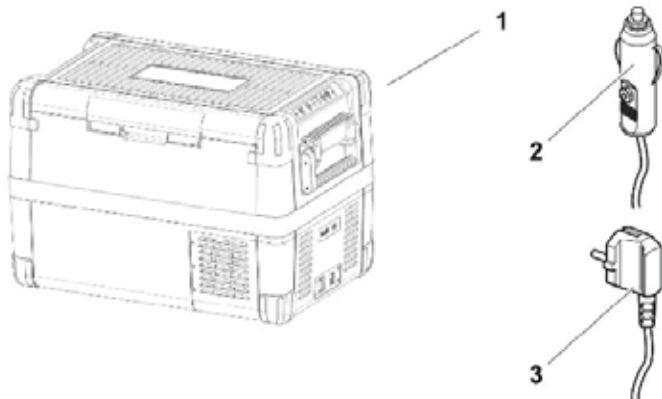
Vorsicht:

- Vergewissern Sie sich vor dem Einschalten des Gerätes, das die Stromversorgungsleitung und der Stecker in Ordnung sind.

Hinweis:

- Benützen Sie keine elektrischen Geräte innerhalb des Kühlers, es sei denn, sie sind vom Hersteller zu diesem Zweck empfohlen worden.
- Stellen Sie das Gerät nicht in die Nähe von offenem Feuer oder anderen Wärmequellen (Heizkörper, direkte Sonneneinstrahlung, Gasöfen etc.).
- Überhitzungsgefahr!
- Stellen Sie sicher, dass jederzeit eine ausreichende Belüftung gegeben ist, damit sich die Wärme, die während des Betriebs entsteht, sich nicht aufstauen kann. Stellen Sie sicher, dass das Gerät ausreichend weit entfernt von Wänden und anderen Gegenständen ist, damit die Luft zirkulieren kann.
- Stellen Sie sicher, dass die Lüftungsschlitze nicht verdeckt sind.
- Füllen Sie den Innenbehälter nicht mit Eis oder Flüssigkeit.
- Tauchen Sie das Gerät nicht in Wasser.
- Schützen Sie das Gerät und das Kabel vor Hitze und Feuchtigkeit.

Lieferumfang



1. Kühler
2. Anschlusskabel für 12/24 V ---- Verbindung
3. Anschlusskabel für 220 bis 240 V ~ Anschluss

Bestimmungsgemäße Verwendung

Die Gefrierbox ist zum Kühlen und Gefrieren von Nahrungsmitteln vorgesehen. Das Gerät ist auch für die Verwendung auf Schiffen geeignet.

Das Gerät wurde entwickelt, um von einer 12 V --- oder 24 V --- Anschlussbuchse eines Fahrzeugs (z.B. Zigarettenanzünder), eines Bootes oder Wohnwagens als auch von einem 220-240 V AC Netzanschluss betrieben werden zu können.

Funktionsbeschreibung

Die Gefrierbox kann Produkte kühlen, kühl halten und einfrieren. Ein wartungsarmer Kühlkreislauf mit Kompressor liefert die Kühlung. Die großzügig dimensionierte Isolierung und der leistungsstarke Kompressor sorgen für eine effiziente und schnelle Kühlung.

Die Gefrierbox ist tragbar.

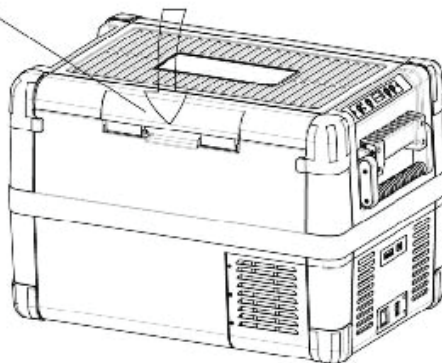
Die Gefrierbox kann einen Unterschied (Differenz) von 30° K verkraften widerstehen, z.B. auf Booten.

Funktionsumfang

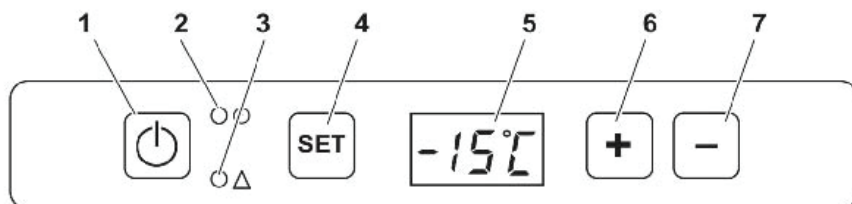
- Stromversorgung mit Vorrangschaltung für den Anschluss an das Wechselstromnetz
- Drei-Stufen-Batterie-Überwachung, zum Schutz der Fahrzeugbatterie
- Display mit Temperaturanzeige in °C und °F
- Automatische Abschaltung bei niedriger Batteriespannung
- Temperatureinstellung: Mit zwei Tasten in Schritten von 1° C (2° F)
- Faltbare Tragegriffe
- Notfallschalter (optional)
- Herausnehmbarer Korb

Bedien- und Anzeigeelemente

1. Verschluss für Deckel

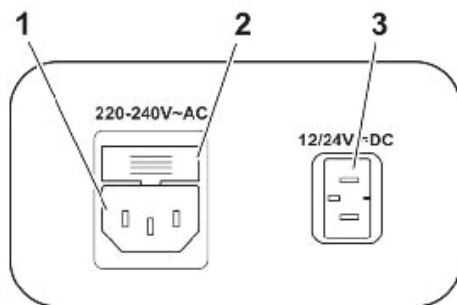


Bedienfeld



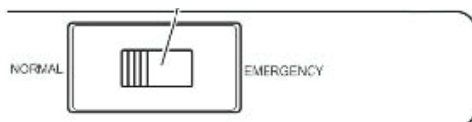
Position	Beschreibung	Erklärung
1	ON OFF	Schaltet die Gefrierbox ein oder aus, wenn die Taste ein bis zwei Sekunden lang gedrückt wird
2	POWER	Statusanzeige LED leuchtet grün: Kompressor ist an LED leuchtet orange: Kompressor ist aus LED blinkt orange: Display schaltet automatisch ab wegen niedriger Batteriespannung
3	ERROR	LED blinkt rot: Gerät ist eingeschaltet, aber nicht betriebsbereit
4	SET	Wählt den Eingabemodus - Temperatur-Einstellung - Anzeige in Celsius oder Fahrenheit - Einstellung der Batterieüberwachung
5	DISPLAY	Anzeige, zeigt Informationen an
6	UP +	einmal drücken um Wert zu erhöhen
7	DOWN -	einmal drücken um Wert zu verringern

Anschlussbuchsen



Position	Beschreibung
1	Anschlussbuchse für die Wechselspannungsversorgung
2	Sicherungshalter
3	Anschlussbuchse für die Gleichspannungsversorgung

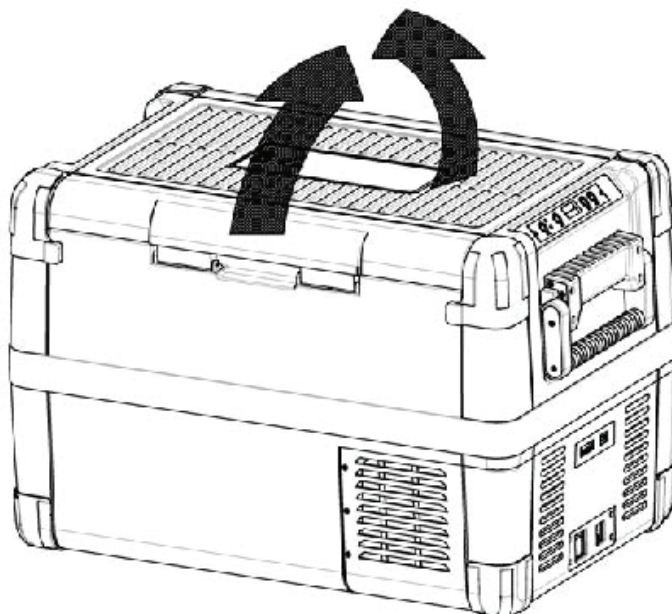
Notfallschalter



Bedienung

Vor dem ersten Gebrauch

Bemerkung: Bevor Sie ihren neuen Kühler zum ersten Mal starten, sollten Sie es aus hygienischen Gründen innen und außen mit einem feuchten Tuch reinigen.



Der Deckel kann ganz entfernt werden, oder er kann von jeder Seite im Nu geöffnet werden, entweder nach links oder rechts.

Auswahl der Temperatureinheiten

Die Temperaturanzeige kann zwischen Celsius und Fahrenheit wie folgt umgeschaltet werden:

- Schalten Sie den Kühler ein.
- Drücken Sie die Taste „SET“ zweimal.
- Verwenden Sie die UP + oder DOWN - Tasten, um Celsius oder Fahrenheit auszuwählen.

Die gewählte Temperatureinheit erscheint in der Anzeige für ein paar Sekunden. Die Anzeige blinkt mehrmals, bevor sie zur aktuellen Temperatur zurückkehrt.

Energiespartipps

- Wählen Sie einen gut belüfteten Aufstellort, der vor direkter Sonneneinstrahlung geschützt ist
- Lassen Sie warme Speisen erst abkühlen, bevor Sie sie in das Gerät geben um sie kühl zu halten.
- Öffnen Sie die Kühlbox nicht öfters als unbedingt nötig.
- Lassen Sie die Kühlbox nicht lange offen stehen als unbedingt nötig.
- Tauen Sie den Kühler ab sobald sich im Innern eine Eisschicht gebildet hat.
- Vermeiden Sie unnötige niedrigen Temperaturen.

Anschluss der Gefrierbox

Anschluss an eine Batterie (Fahrzeug oder Schiff)

Der Kühler kann mit 12 V oder 24 V betrieben werden

Hinweis: Beschädigungsgefahr!

- Trennen Sie den Kühler und andere Verbraucher von der Batterie, bevor Sie die Batterie an eine Schnellladevorrichtung anschließen.
- Überspannung kann die Elektronik des Geräts beschädigen.
- Aus Sicherheitsgründen ist der Kühler mit einem elektronischen System ausgestattet, das eine falsche Polung verhindert. Dies schützt den Kühler vor einem Kurzschluss beim Anschließen an eine Batterie.
- Stecken Sie das 12/24 V-Verbindungskabel in die Gleichspannungsbuchse des Geräts und in den 12 V oder 24 V Zigarettenanzünder.

Anschließen an das 220-240 V Wechselstromnetz (z.B. im Haus oder Büro)

Gefahr: Gefahr durch Stromschlag!

- Handhaben Sie Stecker und Schalter nie mit nassen Händen oder wenn Sie auf einer nassen Oberfläche stehen.
- Wenn Sie Ihren Kühler an Bord eines Bootes an einem Netzanschluss 220-240 V ~ betreiben möchten, müssen Sie zwischen dem 220-240 V ~ Wechselstromanschluss und dem Kühler einen Fehlerstromschutzschalter installieren. Lassen Sie sich von einem Fachmann beraten.
- Der Kühler besitzt ein integriertes Mehrspannungsfähiges-Netzteil mit Vorrangschaltung, welches automatisch den Kühler auf Netzbetrieb umschaltet, sobald das Gerät an das 220-240 V Wechselstromnetz angeschlossen wird, auch wenn das 12/24 V Anschlusskabel noch angeschlossen ist.
- Stecken Sie das 220-240 V Verbindungskabel in die AV Spannungsbuchse des Gerätes und verbinden es mit dem 220-240 V Wechselspannungsnetz

Verwendung der Batterieanzeige

Das Gerät ist mit einer mehrstufigen Batterie-Überwachung ausgestattet, die Ihre Fahrzeugbatterie vor Tiefentladung schützt, wenn das Gerät an die 12/24 V Spannungsversorgung angeschlossen ist.

Wenn der Kühler betrieben wird, während die Zündung ausgeschaltet ist, schaltet sich der Kühler automatisch ab, sobald die Versorgungsspannung unter einen bestimmten Wert fällt. Der Kühler wird wieder eingeschaltet, wenn die Batterie wieder auf einen Wiederanlauf-Spannungspegel aufgeladen worden ist.

Hinweis! Beschädigungsgefahr!

Wenn die Kühlbox durch die Batterie-Überwachung ausgeschaltet wurde, ist die Batterie nicht mehr vollgeladen. Vermeiden Sie deshalb wiederholtes Anlassen des Motors oder das Betreiben weiterer Verbraucher ohne längere Ladephasen. Stellen Sie sicher, dass die Batterie wieder voll aufgeladen wird!

Im „HIGH“ Modus reagiert die Batterie-Überwachung schneller als auf den Modi „LOW“ und „MED“ (siehe folgende Tabelle).

Batterie Überwachungsmodus	LOW	MED	HIGH
Abschaltspannung bei 12 V	10.1 V	11.4 V	11.8 V
Wiederanlaufspannung bei 12 V	11.1 V	12.2 V	12.6 V
Abschaltspannung bei 24 V	21.5 V	24.1 V	24.6 V
Wiederanlaufspannung bei 24 V	23.0 V	25.3 V	26.2 V

Der Modus der Batterie-Überwachung kann wie folgt gewählt werden:

- Drücken Sie die Taste „SET“ dreimal
- Verwenden Sie die „UP + “ oder „DOWN -“ Tasten, um den Batterie-Überwachungsmodus zu wählen.
- Auf der Digitalanzeige steht folgendes:

Lo (LOW), Md (MED), Hi (HIGH)

Der ausgewählte Modus wird dann in der Anzeige für einige Sekunden angezeigt. Die Anzeige blinkt mehrmals, bevor sie zur aktuellen Temperatur zurückkehrt.

Verwendung der Gefrierbox

Hinweis! Überhitzungsgefahr!

Stellen Sie sicher, dass jederzeit eine ausreichende Belüftung gegeben ist, so dass die Wärme, die während des Betriebs erzeugt wird, abgeführt werden kann. Stellen Sie sicher, dass die Lüftungsschlitze nicht verdeckt sind. Stellen Sie sicher, dass das Gerät ausreichend weit entfernt von Wänden und anderen Gegenständen aufgestellt wird, damit die Luft zirkulieren kann.

- Setzen Sie die Gefrierbox auf ein solides Fundament.

Stellen Sie sicher, dass die Lüftungsschlitze nicht verdeckt sind und dass die erwärmte Luft **entweichen kann**.

Bemerkung: Stellen Sie die Gefrierbox wie dargestellt auf. Wenn Sie die Box in einer anderen Position betreiben, dann kann sie beschädigt werden.

- Schließen Sie die Gefrierbox an, siehe unter „Anschluss der Gefrierbox“ auf Seite.

Hinweis: Gefahr durch zu niedrige Temperaturen!

Stellen Sie sicher, dass nur die Objekte in den Kühler gegeben werden, die dazu bestimmt sind, bei der gewählten Temperatur gekühlt zu werden.

- Drücken Sie die „ON / OFF“ -Taste für ein bis zwei Sekunden.
- Die LED leuchtet auf
- Das Display schaltet sich ein und zeigt die aktuelle Kühltemperatur.

Bemerkung: Die angezeigte Temperatur ist die in der Mitte des großen Innenraums.

Bemerkung: Beim Batteriebetrieb, schaltet sich das Display automatisch ab, wenn die Batteriespannung niedrig ist. Die LED blinkt orange.

Verriegeln des Kühlerdeckels

- Schließen Sie den Deckel.
- Drücken Sie die Verriegelung nach unten, bis sie hörbar einrastet.

Temperatur einstellen

- Drücken Sie die Taste „SET“ einmal.
- Verwenden Sie die „UP + “ und „DOWN - “ Tasten, um die Kühltemperatur zu wählen.

Die Kühltemperatur wird in der Anzeige für einige Sekunden angezeigt. Die Anzeige blinkt mehrmals, dann wird die aktuelle Temperatur wieder angezeigt.

Verwendung des Notfallschalters

Der Notfallschalter befindet sich unterhalb des Bedienfeldes. Für den normalen Betrieb ist der Schalter in der „NORMAL USE“ (normaler Betrieb) Position.

Falls die elektronische Steuereinheit einen Fehler hat, schieben Sie den Schalter in die Position „EMERGENCY OVERRIDE“ (Notbedienung).

Bemerkung: Wenn sich der Schalter in der „EMERGENCY OVERRIDE“ Position befindet, arbeitet die Gefrierbox mit der vollen Kühlleistung.

Ausschalten der Gefrierbox

- Leeren Sie die Gefrierbox.
- Schalten Sie die Gefrierbox aus.
- Ziehen Sie das Anschlusskabel.

Wenn Sie die Gefrierbox für eine längere Zeit nicht benutzen werden:

Lassen Sie den Deckel leicht geöffnet. Dies beugt einer Geruchsbildung vor.

Abtauen der Gefrierbox

Durch Feuchtigkeit kann sich im Inneren der Gefrierbox oder auf dem Verdampfer Raureif bilden. Dies reduziert die Kühlleistung. Tauen Sie das Gerät rechtzeitig ab, um dies zu vermeiden.

Hinweis: Beschädigungsgefahr!

Verwenden Sie niemals harte oder spitze Gegenstände, um Eis zu entfernen oder fest gefrorene Objekte loszulösen.

Um die Gefrierbox abzutauen, gehen Sie folgendermaßen vor:

- Nehmen Sie den Inhalt aus der Kühleinrichtung.
- Falls erforderlich, geben Sie sie in eine andere Kühleinrichtung, um diese weiter zu kühlen.
- Schalten Sie das Gerät aus.
- Lassen Sie den Deckel geöffnet.
- Entleeren Sie das Tauwasser.

Austausch der Gerätesicherung

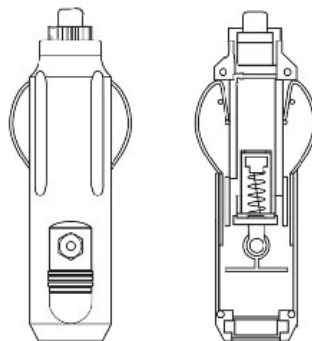
Gefahr: Gefahr durch Stromschlag!

Ziehen Sie das Anschlusskabel, bevor Sie die Gerätesicherung ersetzen.

- Ziehen Sie das Anschlusskabel.
- Hebeln Sie den Sicherungseinsatz mit einem Schraubendreher heraus.
- Ersetzen Sie die defekte Sicherung durch eine neue mit dem gleichen Wert.
- Drücken Sie die Sicherungseinsatz wieder in das Gehäuse.

Auswechseln der Steckersicherung (12/24 V)

- Drehen Sie die Verschlusskappe gegen den Uhrzeigersinn und ziehen den Verbindungsstift (Bild bewegen) aus dem Stecker.
- Ersetzen Sie die defekte Sicherung durch eine neue mit dem gleichen Wert und stecken diese in den Stecker.
- Setzen Sie den Stecker in umgekehrter Reihenfolge wieder zusammen.



Reinigung und Pflege

Warnung: Trennen Sie das Gerät immer vom Netz, bevor Sie es reinigen und warten.

Hinweis! Beschädigungsgefahr!

- Reinigen Sie den Kühler NIE unter fließendem Wasser oder in der Spülmaschine.
- Verwenden Sie keine scheuernden Reinigungsmittel oder harte Gegenstände zur Reinigung, da diese die Gefrierbox beschädigen können.
- Wischen Sie das Gerät innen und außen gelegentlich mit einem feuchten Tuch ab.

Fehlerbehebung

Fehler	Mögliche Ursache	Lösungsvorschlag
Gerät funktioniert nicht, keine LED leuchtet.	Es ist keine Spannung an der 12/24 V-Buchse (Zigarettenanzünder) in Ihrem Fahrzeug vorhanden.	In den meisten Fahrzeugen muss die Zündung eingeschaltet sein, damit am Zigarettenanzünder eine Spannung anliegt.
	Keine Spannung an der Wechselspannungssteckdose.	Versuchen Sie eine andere Steckdose.
	Die Gerätesicherung ist defekt.	Anweisungen zum Tausch der Gerätesicherung finden Sie unter „Austausch der Gerätesicherung“.
	Das integrierte Netzteil ist defekt.	Dies kann nur von einem autorisierten Reparaturzentrum repariert werden.
Das Gerät kühlt nicht (Stecker eingesteckt "POWER" LED leuchtet).	Defekter Kompressor	Dies kann nur von einem autorisierten Reparaturzentrum repariert werden.

Das Gerät kühlt nicht (Stecker eingesteckt, "POWER" LED blinkt orange, Anzeige ist ausgeschaltet).	Batteriespannung ist zu niedrig.	Überprüfen Sie den Akku und laden Sie ihn nach Bedarf.
Beim Betrieb an der 12/24 V Steckdose (Zigarettenanzünder): Die Zündung ist an und das Gerät funktioniert nicht und die LED leuchtet nicht. Ziehen Sie den Stecker aus der Steckdose und führen die folgenden Tests durch.	Der Zigarettenanzünder ist verschmutzt. Dies führt zu einem schlechten elektrischen Kontakt.	Wenn der Stecker Ihres Kühler im Zigarettenanzünder sehr warm wird, dann ist entweder der Zigarettenanzünder verunreinigt oder der Stecker nicht korrekt montiert worden.
	Die Sicherung des 12/24 V Steckers ist durchgebrannt.	Ersetzen Sie die Sicherung (10A) im 12/24 V Stecker, siehe „Auswechseln der Steckersicherung (12/24 V)“ auf Seite 18.
	Die Sicherung des Fahrzeugs ist durchgebrannt.	Ersetzen Sie die Sicherung des Fahrzeugs für die 12/24 V Buchse. Bitte siehe dazu die Betriebsanleitung Ihres Fahrzeugs.
Auf dem Display erscheint eine Fehlermeldung und das Gerät kühlt nicht.	Das Gerät hat sich aufgrund eines internen Fehlers ausgeschaltet.	Dies kann nur von einem autorisierten Reparaturzentrum repariert werden.

Technische Daten

	ECF40	ECF50	ECF60
Anschlussspannung:	DC 12/24 V +AC 100-240 V		
Max. Leistungsaufnahme:	96 W	96 W	96 W
Kühlleistung:	-20°C bis +10°C		
Kategorie:	1		
Energieeffizienzklasse:	A++		
Bruttorauminhalt:	40 l	50 l	60 l
Klimaklasse:	N, T		
Umgebungstemperatur:	+16°C bis +43°C		
Geräusentwicklung:	43 dB(A)		
Abmessungen in mm:	714x453x423,5	714x453x468,5	714x453x523,5
Gewicht:	20 Kg	21,5 Kg	23 Kg

Bemerkung: Wenn die Umgebungstemperatur größer als +32°C (+90°F) ist, kann die Minimumtemperatur nicht erreicht werden.

Die deutsche Version der Anleitung ist eine genaue Übersetzung der Anleitung des Herstellers. Die in diesem Handbuch verwendeten Bilder dienen nur zur Illustration und können nicht genau das Produkt entsprechen.



Děkujeme za nákup našeho výrobku.

Před použitím přístroje si prosím přečtete tento návod, vyhnete se tak neodborné manipulaci a zacházení s přístrojem.

Bezpečnostní instrukce

1. Základní bezpečnost

Nebezpečí: Na lodích: je-li přístroj zapojen do sítě, ujistěte se, že napájecí zdroj má elektrický jistič.

Varování:

- Přístroj nepoužívejte, pokud je viditelně poškozen.
- Tento přístroj musí být v případě poruchy opraven kvalifikovanou osobou.
- Neodborné opravy mohou vést ke značnému nebezpečí.
- Tento spotřebič není určen pro používání osobami (včetně dětí) se sníženými fyzickými, smyslovými nebo duševními schopnostmi, nebo nedostatkem zkušeností a znalostí, pokud jim nebyl poskytnut dohled nebo instrukce týkající se použití spotřebiče osobou zodpovědnou za jejich bezpečnost.
- Elektrické přístroje nejsou hračky.
- Nenechávejte děti v blízkosti přístroje bez dozoru.
- Pokud je kabel přístroje poničen, musí být vždy nahrazen výrobcem, odborným servisem nebo jinou kvalifikovanou osobou.
- V přístroji neskladujte žádné výbušné látky.

Pozor:

- Před čištěním a údržbou přístroj vždy vypojte z elektrické sítě.
- Jídlo skladujte pouze v originálních obalech nebo ve vhodných nádobách.

Upozornění:

- Zařízení vždy připojujte následovně:
- Napájecí kabel s DC zástrčkou zapojte do napájecí DC zásuvky ve vozidle (například do auto-zapalovače).
- 230 V napájecí kabel zapojte do 230 V střídavého elektrického proudu (AC).
- Zkontrolujte, zda napětí na štítku odpovídá napětí v síti.
- Chladicí zařízení není vhodné pro přepravu žiravin nebo materiálů obsahujících rozpouštědla.
- Při vypojení přístroje z elektrické zásuvky nikdy netahejte za kabel, vždy přístroj vypojujte za zástrčku.
- Pokud je chladnička připojena do elektrické zásuvky ve vozidle: před vypnutím motoru vypojte přístroj ze sítě, nebo jej vypněte. Mohlo by dojít k vybití baterie.

2. Bezpečný provoz zařízení

Nebezpečí: Nedotýkejte se nechráněných kabelů holýma rukama. To platí zejména při zapojení do střídavého elektrického proudu.

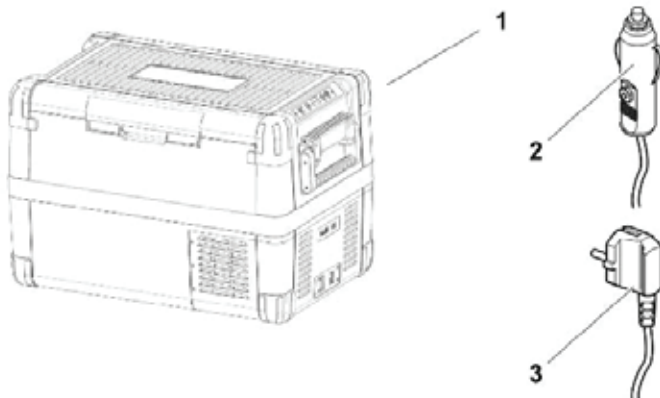
Pozor:

- Před zapnutím přístroje se ujistěte, že je zásuvka a kabel v pořádku.

Upozornění:

- Uvnitř zařízení nepoužívejte žádné elektrické přístroje, pokud nebyly doporučeny výrobcem.
- Přístroj nepoužívejte v blízkosti ohně a zdrojů tepla (ohřívače, přímé slunce, plynové trouby,...).
- Nebezpečí přehřátí.
- Přístroji zajistěte dostatečný přívod vzduchu, aby se teplo vznikající během provozu nemohlo zvyšovat. Ujistěte se, že je přístroj v dostatečné vzdálenosti od zdi a dalších objektů tak, aby mohlo docházet k dostatečné cirkulaci vzduchu.
- Ujistěte se, že ventilační otvory nejsou zakryty.
- Vnitřek přístroje nenaplňujte ledem ani jakoukoliv kapalinou.
- Nikdy přístroj neponořujte do vody.
- Chraňte přístroj a kabel před teplem a vlhkem.

Rozsah dodávky



1. Chladnička
2. Napájecí kabel pro 12/24 V ---- připojení
3. Napájecí kabel pro 220-240 V ~ připojení

Použití

Chladnička je vhodná pro chlazení a mražení potravin. Příklad je vhodný pro použití na lodích.

Příklad je vyroben pro použití ve 12 V nebo 24 V zásuvce vozidla (například autozapalovač), nebo 220-240 V zásuvce na lodi nebo v karavanu.

Popis funkcí

Chladnička je schopna ochladit potraviny, udržet je chladné a také je zmrazit.

Izolace a výkonný kompresor zajišťují dostatečné a rychlé chlazení.

Chladnička je přenosná.

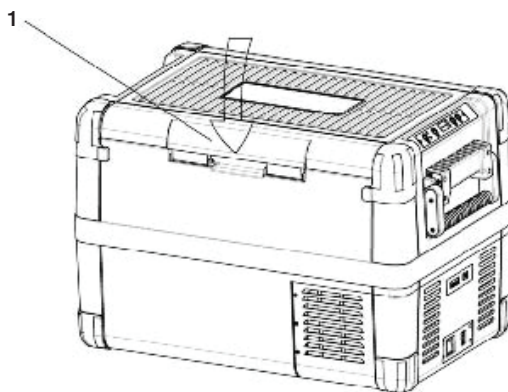
Chladnička je vyrobena tak, aby mohla být nakloněna až o 30 stupňů, což platí zejména pro použití na lodích.

Rozsah funkcí

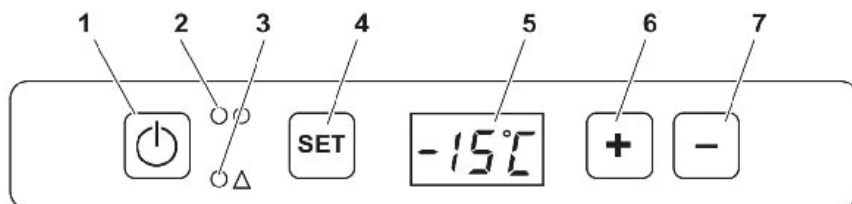
- Napájecí zdroj s primárním okruhem pro zapojení ke střídavému napětí
- Sledování stavu vybití baterie k ochraně baterie vozidla
- Displej s teplotou ve stupních °C nebo °F
- Při nízkém napětí baterie se přístroj automaticky vypne
- Nastavení teploty: 2 tlačítka-jedno pro stupně °C, druhé pro °F
- Sklopná madla
- Nouzový vypínač
- Vyměnitelný drátěný košík

Provoz a prvky na displej

1. Západka víka

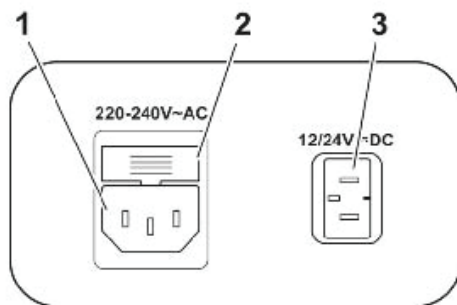


Obslužný panel



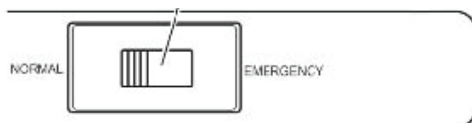
Položka	Popis	Vysvětlení
1	ON OFF	Pokud toto tlačítko chvíli podržíte, přístroj se zapne / vypne
2	POWER	Indikace stavu Led svítí zeleně: kompresor je zapnutý Led svítí oranžově: kompresor je vypnutý Led bliká oranžově: displej se automaticky vypnul kvůli nízkému napětí baterie
3	ERROR	Led bliká červeně: přístroj je zapnutý, ale není připraven k provozu
4	SET	Výběr režimu - Nastavení teploty - °C nebo °F - Nastavení sledování stavu baterie
5	DISPLAY	Displej s informacemi
6	UP +	Zvýšení hodnoty -1 stisk
7	DOWN -	Snížení hodnoty -1 stisk

Zásuvky



Položka	Popis
1	Zásuvka pro přívod střídavého proudu (AC)
2	Pojistkový držák
3	Zásuvka pro přívod stejnosměrného proudu (DC)

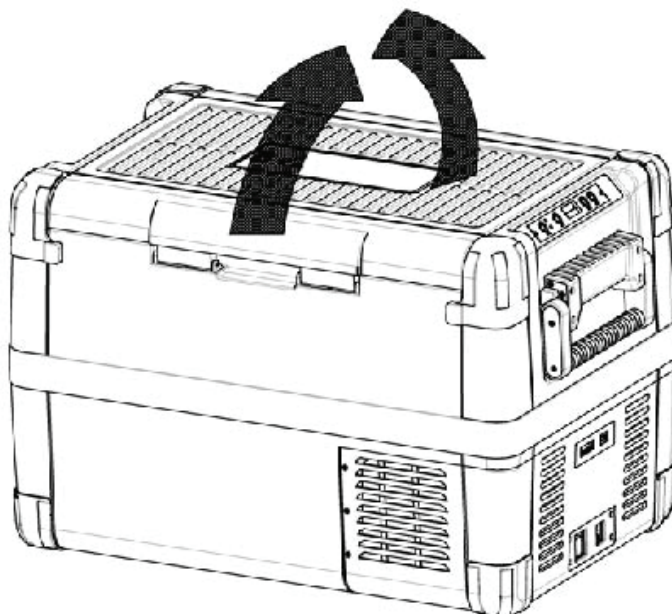
Nouzový vypínač



Provoz

Před prvním použitím

Poznámka: Před prvním použitím vyčistěte vnitřní a venkovní části přístroje vlhkým hadříkem.



Víko můžete celé odebrat, nebo jej můžete otevřít ze strany. 2 způsoby otevření – pravé nebo levé.

Volba teploty

Teplotu si můžete zvolit buď v °C, nebo °F:

- Zapněte přístroj.
- Dvakrát stiskněte tlačítko SET.
- Použijte tlačítka UP + a DOWN - pro volbu °C nebo °F.

Zvolená teplota se na několik sekund ukáže na displeji. Displej několikrát zabliká, než se vrátí na aktuální teplotu.

Tipy na úsporu elektrické energie

- Pro uložení přístroje vyberte dobře ventilované místo chráněné před přímým sluncem.
- Teplé jídlo před umístěním do přístroje nechejte vychladnout.
- Neotevírejte chladicí zařízení častěji, než je nezbytně nutné.
- Přístroj nenechávejte otevřený déle, než je nezbytně nutné.
- Přístroj musí být odmražen v případě, že se v něm tvoří vrstva ledu.
- Vyhněte se zbytečně nízkým teplotám.

Zapojení chladničky

Připojení k baterii -vozidlo nebo loď

Přístroj může být provozován s 12 V nebo 24 V připojením

Poznámka: Nebezpečí zničení!

- Přístroj odpojte z baterie předtím, než baterii připojíte k nabíjecímu zařízení.
- Aby nedošlo k poškození přístroje, je přístroj vybaven elektronickou ochranou proti přepólování. Tento systém chrání přístroj před zkratem, když přístroj připojujete k baterii.
- Zapojte 12/24V připojovací kabel do DC zásuvky přístroje a do 12 V nebo 24 V autozapalovače.

Připojení ke 220-240 AC síti- doma ne kancelář

Nebezpečí: Nebezpečí úrazu elektrickým proudem.

- Nikdy nedržte zástrčku, pokud máte mokré ruce, nebo pokud stojíte na mokré podlaze.
- Pokud provozujete chladničku na palubě lodi s připojením do 220-240 V sítě, musíte nainstalovat proudový chránič mezi síť a chladničku. Hledejte rady u kvalifikovaného technika.
- Přístroj je vybaven přepínačem, který umožní přepnutí na 220-240 V AC i přes to, že je stále připojen 12/24 V kabel.
- Připojte 220-240 V kabel k přístroji do AC zásuvky a zároveň jej zapojte do 220-240 V AC sítě.

Použití kontroly stavu vybití baterie

Přístroj je vybaven více úrovněnou kontrolou stavu baterie, která baterii chrání před nadměrným vybitím, když je přístroj zapojen k 12/24 V napájení.

Pokud je přístroj zapnutý, když je zapalování vozidla vypnuté, přístroj se automaticky vypne, jakmile napětí klesne pod nastavenou hladinu. Přístroj se znovu zapne tehdy, pokud je baterie nabitá na danou úroveň napětí.

Upozornění! Nebezpečí zničení!

Pokud kontrola stavu baterie přístroj vypne a baterie nebude znovu plně nabitá, zamezte opětovnému zapnutí nebo provozu přístroje bez delší nabíjecí fáze. Ujistěte se, že je baterie dostatečně dobítá!

V „HIGH“ režimu se autochladnička vypne rychleji, než v režimu LOW a MED (klokněte na následující tabulku).

Režim kontroly baterie	LOW	MED	HIGH
Vypínací napětí na 12 V	10.1 V	11.4 V	11.8 V
Restartovací napětí na 12 V	11.1 V	12.2 V	12.6 V
Vypínací napětí na 24 V	21.5 V	24.1 V	24.6 V
Restartovací napětí na 24 V	23.0 V	25.3 V	26.2 V

Sledování stavu baterie nastavíte takto:

- Stiskněte 3x tlačítko SET
- Použijte tlačítka UP+ a DOWN- pro nastavení režimu kontroly stavu vybití baterie.
- Na digitálním displeji se zobrazí:

Lo (low), Md (med), Hi (high)

Vybraný režim se poté na pár vteřin objeví na displeji. Displej několikrát zablíká a poté se nastaví na současnou teplotu.

Použití mrazničky

Upozornění! Nebezpečí přehřívání!

Ujistěte se, že dochází k dostatečné ventilaci tak, aby se teplo vzniklé během provozu mohlo rozptýlit. Ujistěte se, že ventilační otvory nejsou ničím zakryty. Ujistěte se, že je přístroj dostatečně daleko od zdi a jiných předmětů tak, aby mohl vzduch dostatečně cirkulovat.

- Umístěte mrazničku na stabilní povrch

Ujistěte se, že ventilační průduchy nejsou zakryty a že se vzniklé teplo může rozptýlit.

Poznámka: Pokud přístroj provozujete v jiných pozicích, než je doporučeno, může dojít ke zničení.

Upozornění: Nebezpečí příliš nízké teploty!

Ujistěte se, že do chladničky vkládáte pouze ty potraviny, které jsou určeny k mražení pod vybranou teplotou.

- Stiskněte tlačítko ON/OFF na 1 nebo 2 vteřiny.
- Rozsvítí se Led kontrolka.
- Displej se zapne a zobrazí současnou chladicí teplotu.

Poznámka: Zobrazená teplota je teplota počítaná ze středu chladicího prostoru.

Teplota na krajních místech uvnitř přístroje se může lišit.

Poznámka: Pokud přístroj provozujete s baterií, displej se automaticky vypne, pokud je napětí baterie nízké. Led kontrolka bliká oranžově.

Uzavření západky přístroje

- Zavřete víko
- Stlačte západku dolů, dokud neuslyšíte zvuk uzavření.

Nastavení teploty

- Stiskněte jednou tlačítko SET
- Stisknutím tlačítek UP+ a DOWN- zvolte požadovanou teplotu.

Teplota se na několik vteřin objeví na displeji. Displej několikrát zabliká, poté se opět objeví současná teplota.

Použití nouzového vypínače

Nouzový vypínač je umístěn pod ovládacím panelem. Pro běžný provoz je nastaven v pozici „NORMAL USE“.

Pokud se vyskytne chyba elektrické kontroly, posuňte vypínač do pozice „nouzové vyřazení“ „EMERGENCY OVERRIDE“.

Poznámka: Pokud je vypínač v pozici „nouzové vyřazení“, chladnička chladí s plným chladicím výkonem.

Vypnutí chladničky

- Vyprázdněte chladničku
- Vypněte chladničku
- Vypojte kabel

Pokud přístroj nebudete delší čas používat, nechejte víko lehce pootevřené, abyste předešli pachu, který by se mohl tvořit uvnitř přístroje.

Odmražení chladničky

Vlhkost může způsobit tvorbu ledu uvnitř přístroje, což snižuje chladicí schopnost. Abyste se tomu vyhnuli, přístroj odmrazujte.

Upozornění: Nebezpečí poškození!

Na odstranění ledu a předmětů přimrzlých k přístroji nikdy nepoužívejte tvrdé předměty.

Při odmrazení postupujte takto:

- Vyjměte obsah chladicího zařízení.
- Pokud je nutné, umístěte potraviny do jiného chladicího zařízení, abyste je udrželi chladné.
- Vypněte přístroj.
- Nechejte víko otevřené.
- Vytřete rozmrzlou vodu.

Výměna pojistky zařízení

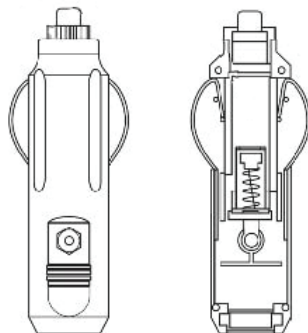
Nebezpečí: Nebezpečí úrazu elektrickým proudem!

Před výměnou pojistky vypojte napájecí kabel.

- Vyjměte napájecí kabel.
- Nahraďte poničenou pojistku novou pojistkou se stejnou hodnotou.
- Pojistku vložte zpět do přístroje.

Výměna pojistky (12/24V)

- Otevřete uzávěr.
- Vyjměte pojistku a nahraďte ji novou 8A pojistkou.
- Smontujte v opačném pořadí.



Čištění a údržba

Varování: Před servisem a čištěním přístroj vždy vypojte ze sítě.

Upozornění! Nebezpečí poškození

- Přístroj nikdy nečistěte přímo pod tekoucí vodou nebo v myčce na nádobí.
- Nepoužívejte abrazivní čisticí prostředky nebo tvrdé předměty, mohli byste přístroj poničit.
- Příležitostně čistěte přístroj zevnitř i zvenku vlhkým hadříkem.

Česká verze návodu je přesným překladem originálního návodu výrobce.

Fotografie použité v manuálu jsou pouze ilustrační a nemusí se přesně shodovat s výrobkem.

Řešení problémů

Problém	Možná příčina	Řešení
Přístroj nefunguje, Led nesvítí.	V zásuvce není napětí.	U většiny vozidel musí být zapnuté zapalování, aby byl v zásuvce proud.
	Žádné napětí v AC zásuvce.	Pokuste se použít jinou zásuvku.
	Integrovaný síťový adapter není funkční.	Opravitelné pouze v odborném servisním centru.
	Pojistka přístroje je vadná.	Nahraďte pojistku, obraťte se na kapitolu „výměna pojistky přístroje“.
Přístroj nechladí (zástrčka je zapojena, POWER led svítí).	Vadný kompresor.	Opravitelné pouze v odborném servisním centru.
Přístroj nechladí (zástrčka je zapojena „POWER“ led svítí oranžově, displej je vypnutý).	Napětí baterie je příliš nízké.	Proveďte baterii a nabijte ji.
Při provozu v 12/24 V zásuvce (autozapalovač): zapalování je zapnuté, přístroj nepracuje a led nesvítí. Vypojte kabel ze zásuvky a proveďte kontrolu.	Autozapalovač je špinavý a nedochází ke správnému elektrickému kontaktu.	Vyčistěte auto zapalování.
	Vypálená pojistka 12/24 zástrčky.	Vyměňte pojistku.
	Vypálená pojistka vozidla.	Vyměňte 12/24 pojistku dle manuálu vozidla.
Displej ukazuje chybu a přístroj nechladí.	Přístroj se vypnul z důvodu vnitřní chyby.	Toto může být opraveno pouze odborným servisním centrem.

Technické parametry



	ECF40	ECF50	ECF60
Připojovací napětí:	DC 12/24 V +AC 100-240 V		
Max. spotřeba energie:	96 W	96 W	96 W
Chladicí schopnost:	-20°C až +10°C		
Kategorie:	1		
Třída energetické účinnosti:	A++		
Hrubý objem:	40 l	50 l	60 l
Klimatická třída:	N, T		
Okolní teplota:	+16°C až +43°C		
Emise hluku:	43 dB(A)		
Rozměry v mm:	714x453x423,5	714x453x468,5	714x453x523,5
Váha:	20 Kg	21,5 Kg	23 Kg

Poznámka: pokud je okolní teplota nad 32 stupni, nemůže být dosažena minimální teplota.



Ďakujeme za nákup nášho výrobku.

Pred použitím prístroja si prosím prečítajte tento návod, vyhnete sa tak neodbornej manipulácii a zaobchádzaniu s prístrojom.

Bezpečnostné inštrukcie

1. Základná bezpečnosť

Nebezpečenstvo: Na lodiach: ak je prístroj zapojený do siete, uistite sa, že napájací zdroj má elektrický istič.

Varovanie:

- Prístroj nepoužívajte, ak je viditeľne poškodený.
- Tento prístroj smie opravovať iba kvalifikovaná osoba.
- Neodborné opravy môžu viesť k značnému nebezpečenstvu.
- Tento spotrebič nie je určený pre používanie osobami (vrátane detí) so zníženými fyzickými, zmyslovými alebo duševnými schopnosťami, alebo nedostatkom skúseností a znalostí, pokiaľ im nie je poskytnutý dohľad alebo nie sú poskytnuté inštrukcie týkajúce sa použitia spotrebiča osobou zodpovednou za ich bezpečnosť.
- Elektrické prístroje nie sú hračky.
- Nenechávajte deti v blízkosti prístroja bez dozoru.
- Ak je kábel prístroja poničený, musí byť vždy nahradený výrobcom, odborným servisom alebo inou kvalifikovanou osobou.
- V prístroji neskladujte žiadne výbušné látky.

Pozor:

- Pred čistením a údržbou prístroja vždy ho odpojte z elektrickej siete.
- Jedlo skladujte iba v originálnych obaloch alebo vo vhodných nádobách.

Upozornenie:

- Zariadenie vždy pripájajte nasledovne:
 - Napájací kábel s DC zástrčkou zapojte do napájacej DC zásuvky vo vozidle (napríklad do autozapaľovača).
 - 230 V napájací kábel zapojte do 230 V striedavého elektrického prúdu (AC).
- Skontrolujte, či napätie na štítiku zodpovedá napätiu v sieti.
- Chladiace zariadenie nie je vhodné na prepravu škodlivých látok alebo materiálov obsahujúcich rozpúšťadlá.
- Pri odpojaní prístroja z elektrickej zásuvky nikdy neťahajte za kábel, vždy odpojujte prístroj za zástrčku.
- Ak je chladnička pripojená do elektrickej zásuvky vo vozidle: pred vypnutím motora odpojte prístroj zo siete, alebo ho vypnite. Mohlo by dôjsť k vybitiu batérie.

2. Bezpečná prevádzka zariadenia

Nebezpečenstvo: Nedotýkajte sa nechránených káblov holými rukami. To platí najmä pri zapojení do striedavého elektrického prúdu.

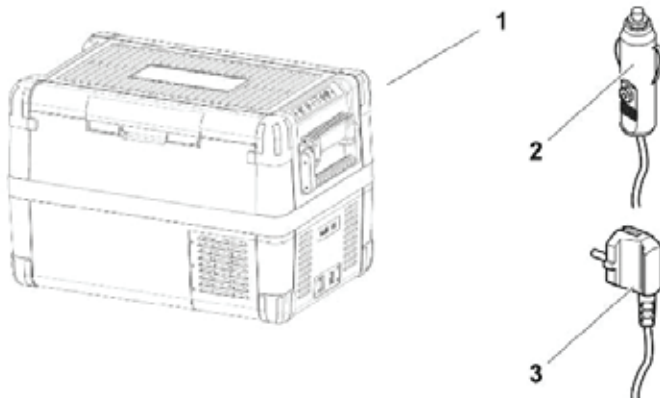
Pozor:

- Pred zapnutím prístroja sa uistite, že zásuvka a kábel sú v poriadku.

Upozornenie:

- Vo vnútri zariadenia nepoužívajte žiadne elektrické prístroje, pokiaľ neboli odporúčané výrobcom.
- Prístroj nepoužívajte v blízkosti ohňa a tepelných zdrojov (ohrievače, priame slnko, plynové rúry, ...).
- Nebezpečenstvo prehriatia.
- Prístroj zaistite dostatočný prívod vzduchu, aby sa teplo vznikajúce počas prevádzky nemohlo zvyšovať. Uistite sa, že je prístroj v dostatočnej vzdialenosti od steny a ďalších objektov tak, aby mohlo dochádzať k dostatočnej cirkulácii vzduchu.
- Uistite sa, že ventilačné otvory nie sú zakryté.
- Vnútro prístroja nenaplňujte ľadom ani akoukoľvek kvapalinou.
- Nikdy prístroj neponárajte do vody.
- Chráňte prístroj a kábel pred teplom a vlhkosťou.

Obsah balenia



1. Chladnička
2. Napájací kábel pre 12/24 V ---- pripojenie
3. Napájací kábel pre 220-240 V ~ pripojenie

Použitie

Chladnička je vhodná pre chladenie a mrazenie potravín. Prístroj je vhodný pre použitie na lodiach. Prístroj je vyrobený pre použitie v 12 V alebo 24 V zásuvke vozidla (napríklad autozapaľovač), alebo 220-240 V zásuvke na lodi alebo v karavane.

Popis funkcií

Chladnička je schopná ochladiť potraviny, udržať ich chladné a tiež ich zmraziť.

Izolácia a výkonný kompresor zaisťujú dostatočné a rýchle chladenie.

Chladnička je prenosná.

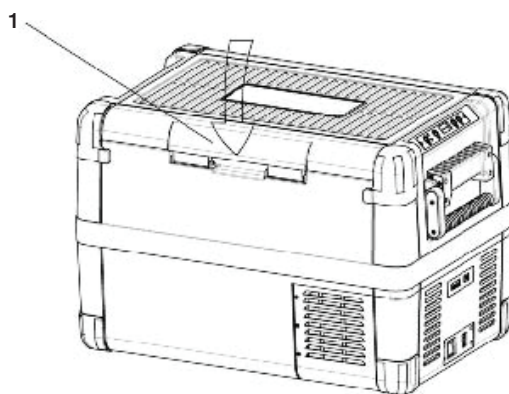
Chladnička je vyrobená tak, aby mohla byť naklonená až o 30 stupňov, čo sa zídne najmä pri použití na lodiach.

Rozsah funkcií

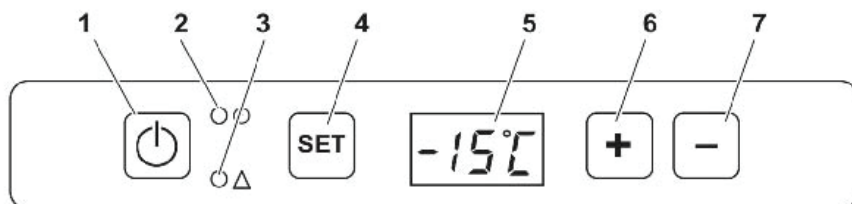
- Napájací zdroj s primárnym okruhom pre zapojenie ku striedavému napätiu
- Sledovanie stavu vybitia batérie k ochrane batérie vozidla
- Displej s teplotou v stupňoch ° C alebo ° F
- Pri nízkom napätí batérie sa prístroj automaticky vypne
- Nastavenie teploty: 2 tlačidlá-jedno pre stupne ° C, druhé pre ° F
- Sklopné držadlá
- Núdzový vypínač
- Vymeniteľný drôtený košík

Prevádzka a prvky na displeji

1. Západka veka

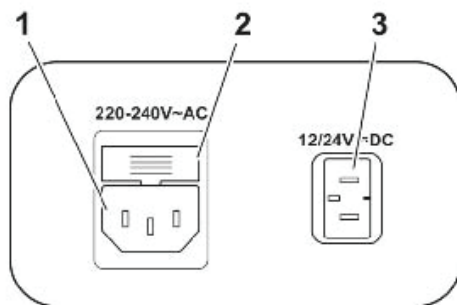


Obslužný panel



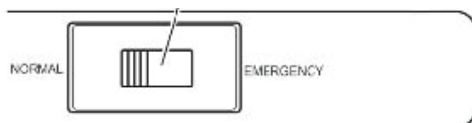
Položka	Popis	Vysvetlenie
1	ON OFF	Pokiaľ toto tlačidlo chvíľku podržíte, prístroj sa zapne / vypne
2	POWER	Indikácia stavu Led svieti zeleno: kompresor je zapnutý Led svieti oranžovo: kompresor je vypnutý Led blíká naoranžovo: displej sa automaticky vypol kvôli nízkemu napätiu batérie
3	ERROR	Led blíká červeno: prístroj je zapnutý, ale nie je pripravený na prevádzku
4	SET	Výber režimu - Nastavenie teploty - ° C alebo ° F - Nastavené sledovanie stavu batérie
5	DISPLAY	Displej s informáciami
6	UP +	Zvýšenie hodnoty-1 stlačie
7	DOWN -	Zníženie hodnoty-1 stlačie

Zásuvky



Položka	Popis
1	Zásuvka pre prívod striedavého prúdu (AC)
2	poistkový držiak
3	Zásuvka pre prívod jednosmerného prúdu (DC)

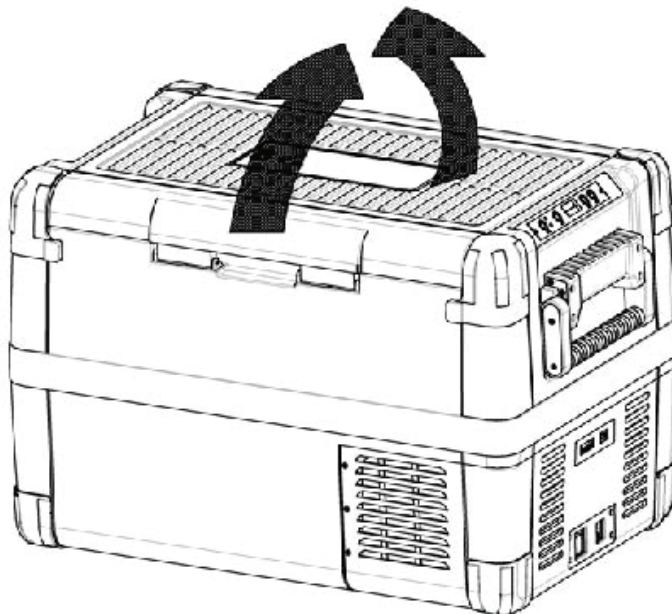
Núdzový vypínač



Prevádzka

Pred prvým použitím

Poznámka: Pred prvým použitím vyčistite vnútorné a vonkajšie časti prístroja vlhkou handričkou.



Veko môžete celé odstrániť, alebo ho môžete otvoriť z boku. 2 spôsoby otvorenia - pravé alebo ľavé.

Voľba teploty

Teplotu si môžete zvoliť buď v ° C, alebo ° F:

- Zapnite prístroj.
- Dvakrát stlačte tlačidlo SET.
- Použite tlačidlá UP + a DOWN - pre voľbu ° C alebo ° F.

Zvolená teplota sa na niekoľko sekúnd ukáže na displeji. Displej niekoľkokrát zabliká, než sa vráti na aktuálnu teplotu.

Tipy na úsporu elektrickej energie

- Pre uloženie prístroja vyberte dobre vetrané miesto chránené pred priamym slnkom.
- Teplé jedlo nechajte vychladnúť pred umiestnením do prístroja.
- Neotvárajte chladiace zariadenie častejšie, než je to nevyhnutne nutné.
- Prístroj nenechávajte otvorený dlhšie, ako je to nevyhnutne potrebné.
- Prístroj musí byť odmrazený v prípade, že sa v ňom tvorí vrstva ľadu.
- Vyhnite sa zbytočne nízkym teplotám.

Zapojenie chladničky

Pripojenie k batérii - vozidlo alebo loď

Prístroj môže byť prevádzkovaný s 12 V alebo 24 V pripojením

Poznámka: Nebezpečenstvo zničenia!

- Prístroj odpojte z batérie predtým, než batériu pripojíte k nabíjaciemu zariadeniu.
- Aby nedošlo k poškodeniu prístroja, prístroj je vybavený elektronickou ochranou proti prepólovaniu. Tento systém chráni prístroj pred skratom, keď prístroj pripájate k batérii.
- Zapojte 12/24 V pripojovací kábel do DC zásuvky prístroja a do 12 V alebo 24 V autozapalovača.

Pripojenie ku 220-240 AC sieti - napríklad doma alebo v kancelárii

Nebezpečenstvo: Nebezpečenstvo úrazu elektrickým prúdom.

- Nikdy nedržte zástrčku, ak máte mokré ruky, alebo ak stojíte na mokrej podlahe.
- Ak prevádzkujete chladničku na palube lode s pripojením do 220-240 V siete, musíte nainštalovať prúdový chránič medzi sieťou a chladničkou. Poradte sa s kvalifikovaným technikom.
- Prístroj je vybavený prepínačom, ktorý umožní prepnutie na 220-240 V AC aj cez to, že je stále pripojený 12/24 V kábel.
- Pripojte 220-240 V kábel k prístroju do AC zásuvky a zároveň ho zapojte do 220-240 AC siete.

Kontrola stavu vybitia batérie

Prístroj je vybavený viac úrovňovou kontrolou stavu batérie, ktorá batériu chráni pred nadmerným vybitím, keď je prístroj zapojený k 12/24 V napájaniu.

Ak je prístroj zapnutý, keď je zapalovanie vozidla vypnuté, prístroj sa automaticky vypne, akonáhle napätie klesne pod nastavenú hladinu. Prístroj sa znovu zapne vtedy, ak je batéria nabitá na danú úroveň napätia.

Upozornenie! Nebezpečenstvo zničenia!

Ak kontrola stavu batérie prístroj vypne a batérie nebude znovu plne nabitá, zamedzte opätovnému zapnutiu alebo prevádzky prístroja bez dlhšej nabíjacej fázy. Uistite sa, že je batéria dostatočne dobitá!

V „HIGH“ režime sa autochladnička vypne rýchlejšie, než v režime LOW a MED (pozrite na nasledujúcu tabuľku).

Režim kontroly batérie	LOW	MED	HIGH
Vypínacie napätie na 12V	10.1 V	11.4 V	11.8 V
Reštartovacie napätie na 12V	11.1 V	12.2 V	12.6 V
Vypínacie napätie na 24 V	21.5 V	24.1 V	24.6 V
Reštartovacie napätie na 24V	23.0 V	25.3 V	26.2 V

Sledovanie stavu batérie nastavíte takto:

- Stlačte 3x tlačidlo SET
- Použite tlačidlá UP + a Down - pre nastavenie režimu kontroly stavu vybitia batérie.
- Na digitálnom displeji sa zobrazí:

Lo (low), Md (med), Hi (high)

Vybraný režim sa potom na pár sekúnd objaví na displeji. Displej niekoľkokrát zabliká a potom sa nastaví na súčasnú teplotu.

Použitie mrazničky

Upozornenie: Riziko prehriatia!

Uistite sa, že dochádza k dostatočnej ventilácii tak, aby sa teplo vzniknuté počas prevádzky mohlo rozptýliť. Uistite sa, že ventilačné otvory nie sú ničím zakryté. Uistite sa, že prístroj je dostatočne ďaleko od steny a iných predmetov tak, aby vzduch mohol dostatočne cirkulovať.

- Umiestnite mrazničky na stabilný povrch

Uistite sa, že ventilačné priechody nie sú zakryté a že sa vzniknuté teplo môže rozptýliť.

Poznámka: Ak prístroj prevádzkujete v iných pozíciách, ako je odporúčané, môže dôjsť k zničeniu produktu.

Upozornenie: Nebezpečenstvo príliš nízkej teploty!

Uistite sa, že do chladničky vkladáte iba tie potraviny, ktoré sú určené na zmrazenie pod vybranou teplotou.

- Stlačte tlačidlo ON / OFF na 1 alebo 2 sekundy.
- Rozsvieti sa Led kontrolka.
- Displej sa zapne a zobrazí súčasnú chladiacu teplotu.

Poznámka: Zobrazená teplota je teplota počítaná zo stredu chladiaceho priestoru.

Teplota na krajných miestach a vo vnútri prístroja sa môže líšiť.

Poznámka: Ak prístroj prevádzkujete s batériou, displej sa automaticky vypne, ak je napätie batérie nízke. Led kontrolka bliká oranžovo.

Uzavretie západky prístroja

- Zatvorte veko
- Stlačte západku nadol, kým nebudete počuť uzavretie.

Nastavenie teploty

- Stlačte raz tlačidlo SET
- Stlačením tlačidiel UP + a DOWN - zvolte požadovanú teplotu.

Teplota sa na niekoľko sekúnd objaví na displeji. Displej niekoľkokrát zabliká, potom sa opäť objaví súčasná teplota.

Použitie núdzového vypínača (ak je namontovaný)

Núdzový vypínač je umiestnený pod ovládacím panelom. Pre bežnú prevádzku je nastavený do normálneho režimu „NORMAL USE“.

Ak sa vyskytne chyba elektrickej kontroly, posuňte vypínač do pozície „núdzové vyradenie“ „EMERGENCY override“.

Poznámka: Ak je vypínač v pozícii „núdzové vyradenie“, chladnička chladí s plným chladiacim výkonom.

Vypnutie chladničky

- Vyprázdňte chladničku
- Vypnite chladničku
- Odpojte kábel

Pokiaľ prístroj nebudete dlhší čas používať, nechajte veko ľahko pootvorené, aby ste predišli pachu, ktorý by sa mohol vytvoriť vo vnútri prístroja.

Odmrazenie chladničky

Vlhkosť môže spôsobiť tvorbu ľadu vo vnútri prístroja, čo znižuje chladiacu schopnosť. Aby ste sa tomuto vyhli, prístroj odmrázajte.

Upozornenie: Nebezpečenstvo poškodenia!

Na odstránenie ľadu a predmetov primrznutých k prístroju nikdy nepoužívajte tvrdé predmety.

Pri odmrázení postupujte nasledovne:

- Vyberte obsah chladiaceho zariadenia.
- Ak je potrebné, umiestnite potraviny do iného chladiaceho zariadenia, aby ste ich udržali chladné.
- Vypnite prístroj.
- Nechajte veko otvorené.
- Vytrite rozmrazenú vodu.

Výmena poistky zariadenia

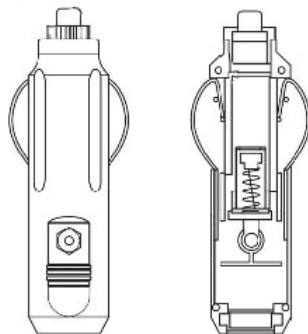
Nebezpečenstvo: Nebezpečenstvo úrazu elektrickým prúdom!

Pred výmenou poistky vypojte napájací kábel.

- Vyberte napájací kábel
- Nahraďte poničenú poistku novou poistkou s rovnakou hodnotou.
- Poistku vložte späť do prístroja

Výmena poistky (12/24 V)

- Otvorte uzáver.
- Vyberte poistku a nahraďte ju novou 8 A poistkou.
- Zmontujte v opačnom poradí.



Čistenie a údržba

Varovanie: Pred servisom a čistením prístroj vždy odpojte zo siete.

Upozornenie! nebezpečenstvo poškodenia

- Prístroj nikdy nečistite priamo pod tečúcou vodou alebo v umývačke riadu.
- Nepoužívajte abrazívne čistiace prostriedky alebo tvrdé predmety, mohli by ste prístroj zničiť.
- Príležitostne čistite prístroj zvnútra aj zvonka vlhkou handričkou.

Slovenská verzia návodu je presným prekladom originálneho návodu výrobcu.

Fotografie použité v návode sú len ilustračné a nemusia sa presne zhodovať s výrobkom.

Riešenie problémov

Chyba	Možná príčina	Navrhované riešenie
Prístroj nefunguje, Led nesvieti.	V zásuvke nie je napätie.	U väčšiny vozidiel musí byť zapnuté zapaľovanie, aby bol v zásuvke prúd.
	Žiadne napätie v AC zásuvke.	Skúste použiť inú zásuvku.
	Integrovaný sieťový adapter nie je funkčný.	Opravitelné iba v odbornom servisnom centre.
	Poistka prístroja je chybná.	Nahradte poistku, obráťte sa na kapitulu "výmena poistky prístroja".
Prístroj nechladí (zástrčka zapojená, POWER led svieti).	Chybný kompresor.	Opravitelné iba v odbornom servisnom centre
Prístroj nechladí (zástrčka zapojená "POWER" led svieti oranžovo, displej je vypnutý).	Napätie batérie je príliš nízke.	Preverte batériu a nabite ju, ak treba.
Pri prevádzke v 12/24 V zásuvke (autozapaľovač): zapaľovanie je zapnuté, prístroj nepracuje a led nesvieti. Vypojte kábel zo zásuvky a vykonajte kontrolu.	Autozapaľovač je špinavý a nedochádza k správne elektrickému kontaktu.	Vyčistite auto zapaľovanie.
	Vypálená poistka 12/24 zástrčky.	Vymeňte poistku.
	Vypálená poistka vozidla.	Vymeňte 12/24 poistku (zvyčajne 15 A) podľa manuálu vozidla.
Displej ukazuje chybu a prístroj nechladí.	Prístroj sa vypol z dôvodu vnútornej chyby.	Toto môže byť opravené len odborným servisným centrom.

Technické údaje

	ECF40	ECF50	ECF60
Pripojovacie napätie	DC 12/24 V +AC 100-240 V		
Max. spotreba energie	96 W	96 W	96 W
Chladiaca schopnosť	-20°C až +10°C		
Kategória	1		
Trieda energetickej účinnosti	A++		
Hrubý objem	40 l	50 l	60 l
Klimatická trieda	N, T		
Okolité teplota	+16°C až +43°C		
Emisia hluku	43 dB(A)		
Rozmery v mm	714x453x423,5	714x453x468,5	714x453x523,5
Váha	20 Kg	21,5 Kg	23 Kg

Poznámka: ak je okolitá teplota nad 32 stupňami, nemôže byť dosiahnutá minimálna teplota.



Köszönjük, hogy megvásárolta termékünket.

Használat előtt kérjük olvassa el a használati útmutatót, így megelőzheti az eszköz helytelen használatát.

Biztonsági előírások

1. Általános biztonsági előírások

Veszély: Hajókon: mielőtt a készüléket csatlakoztatja, győződjön meg róla, hogy az áramforrás rendelkezik elektromos megszakítóval.

Vigyázat:

- A készüléket ne használja, ha az szemmel láthatóan sérült.
- Hiba esetén a készüléket csak szakember jogosult megjavítani.
- A szakszerűtlen beavatkozás komoly veszélyt jelent.
- A készüléket nem használhatják csökkent fizikai, érzékszervi vagy mentális képességű emberek, gyerekek, illetve kellő tapasztalattal és ismerettel nem rendelkező személyek, hacsak nem egy értük felelős személy felügyelete alatt vagy annak utasításai alapján.
- Az elektromos készülék nem játék.
- A gyermekeket ne hagyja felügyelet nélkül a készülék közelében.
- Ha a kábel sérült, azt csak a gyártó, márkaszerviz vagy szakember cserélheti ki.
- A készüléket ne tárolja robbanóképes anyag közelében.

Figyelem:

- Tisztítás és karbantartás előtt csatlakoztassa le a készüléket az elektromos hálózatról.
- Az élelmiszert csak az eredeti csomagolásban, vagy megfelelő dobozban tárolja.

Vigyázat:

- A készüléket mindig az alábbiak alapján csatlakoztassa:
 - Tápkábelt a DC dugóval az autó DC konnektorába csatlakoztassa (például a szivargyújtóba).
 - A230 V AC tápkábelt egy 230 V váltóáramú (AC) dugóba csatlakoztassa.
- Ellenőrizze, hogy a feszültség a címkén megfelel a használni kívánt hálózati feszültségnek.
- A hűtőláda nem alkalmas korrozív termékek vagy oldószereket tartalmazó anyagok szállítására.
- Ha lecsatlakoztatja a készüléket a fali csatlakozóból, soha ne a kábelt, mindig a dugót húzza.
- Ha a termék a jármű konnektorába van csatlakoztatva: mielőtt leállítja a motort, húzza ki az eszközt a hálózatról, vagy kapcsolja ki. Ha a csatlakozóban marad, lemerítheti a jármű akkumulátorát.

2. Biztonságos használat

Veszély: A kábelekhöz ne nyúljon pusztá kézzel. Ez különösen fontos, ha a készülék áram alatt van.

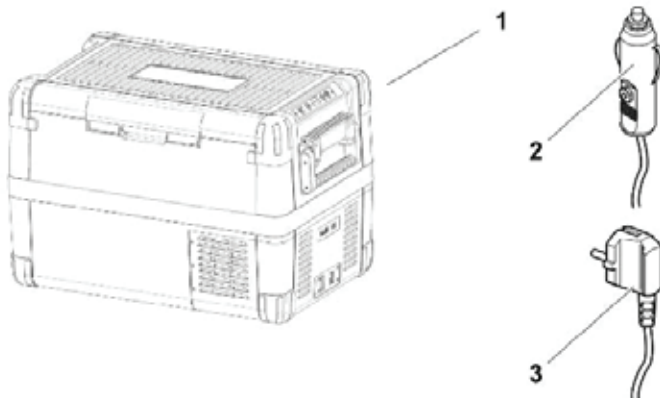
Figyelem:

Bekapcsolás előtt győződjön meg arról, hogy a dugó és a tápkábel rendben van.

Figyelmeztetés:

- Ne tegyen a gép belsejébe semmilyen elektromos készüléket, hacsak az nem a gyártótól származik.
- Ne használja tűz és hőforrások közelében. (fűtőtest, közvetlen napfény, gáz sütők, ...).
- Ez a túlmelegedés kockázatával jár.
- Biztosítson megfelelő mennyiségű levegőt, hogy a működés során keletkező hő ne növekedjen. Győződjön meg arról, hogy a készülék elég távol van a falaktól és más objektumoktól, és hogy a légáramlás megfelelő.
- Ellenőrizze, hogy a szellőzőnyílások szabadon vannak e.
- A készülék belsejébe ne töltsön jeget vagy bármilyen más folyadékot.
- Soha ne merítse vízbe.
- Óvja a készüléket és a vezetéket a hőtől és a nedvességtől.

A készlet tartalma



1. Hűtőláda
2. Tápkábel 12/24 V ---- csatlakozás
3. Tápkábel 220-240 V ~ csatlakozás

Használat

A hűtőláda az élelmiszerek hűtésére és melegítésére alkalmas. A készülék használható hajókon. A készülék használható 12 V vagy 24 V csatlakozóval a járműben (pl autós szivargyújtó) vagy 220-240 V csatlakozóval a hajón vagy lakókocsiban.

Működési leírás

A hűtőláda alkalmas az élelmiszerek lehűtésére, hidegen tartására, vagy azok lefagyasztására.

A szigetelés és a nagy teljesítményű kompresszor megfelelő és gyors hűtést biztosít.

A hűtőláda áthelyezhető.

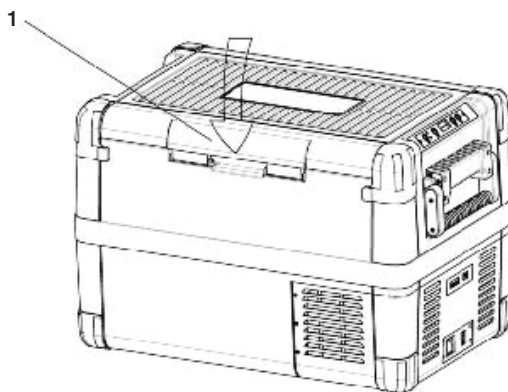
A hűtőláda megdönthető akár 30 fokos szögben, ami különösen jó a hajókon.

Funkciók

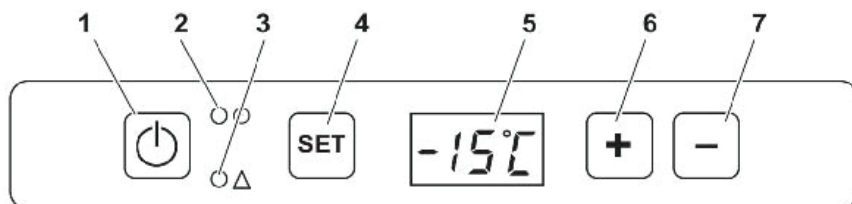
- Tápegység a primer körben való csatlakozáshoz
- Az akkumulátort töltöttségét figyelő rendszer, ami védi az akkumulátort.
- Kijelző, mely mutatja a hőmérsékletet ° C –ban vagy ° F-ban.
- Ha az akkumulátor kezd lemerülni, a készülék automatikusan kikapcsol.
- Hőmérséklet beállítás - 2 gomb: egyik a ° C-ra, a másik ° F-ra
- Fogantyúk
- Vészleállító
- Kivehető drót kosár

Működés és kijelző

1. Tetőzár

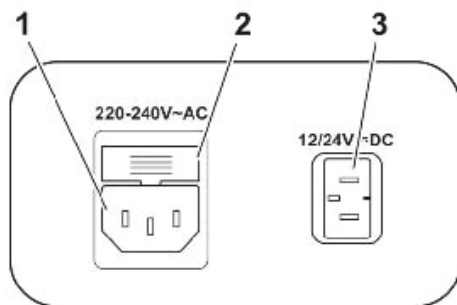


Kezelőpanel



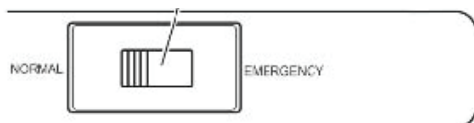
Tétel	Leírás	Magyarázat
1	ON OFF	Ha lenyomva tartja a gombot egy pillanatra, a készülék bekapcsol / kikapcsol.
2	POWER	Állapot kijelzés. A zöld LED világít: a kompresszor be van kapcsolva. A narancssárga LED világít: A kompresszor ki van kapcsolva. A LED narancssárgán villog: A kijelző automatikusan kikapcsol, mert alacsony az akkumulátor feszültsége.
3	ERROR	A LED pirosan villog: a készülék be van kapcsolva, de nem üzemkész.
4	SET	A beállítások kiválasztása: - hőmérsékletet beállítása - °C vagy °F - Az akkumulátor töltöttségét figyelő rendszer
5	DISPLAY	Információs kijelző
6	UP +	Érték növelése -1 gombnyomás
7	DOWN -	Érték csökkentése - 1 gombnyomás

Csatlakozódugók



Tétel	Leírás
1	Csatlakozódugó váltóáramra (AC)
2	Biztosíték tartó
3	Csatlakozódugó egyenáramra (DC)

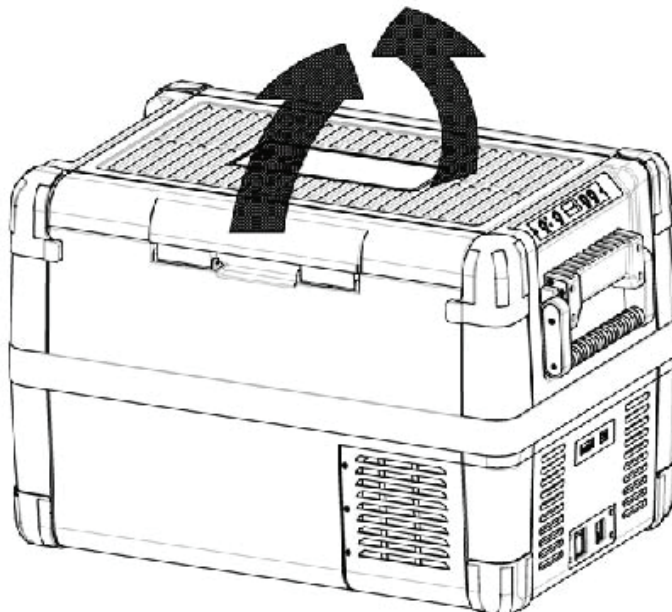
Vészleállító



Kezelés

Az első használat előtt

Megjegyzés: Az első használat előtt tisztítsa meg a külsejét és a belsejét egy nedves ruhával (lásd a következő fejezetet: „Tisztítás és karbantartás“).



Vegye le egészen a fedőt, vagy nyissa ki oldalról. 2 módon lehet kinyitni - jobbra vagy balra.

A hőmérséklet beállítása

A hőmérsékletet beállíthatja ° C-ban vagy ° F-ban

- Kapcsolja be a készüléket.
- Nyomja meg kétszer a SET gombot.
- Használja a fel (UP) és le (DOWN) gombokat, hogy kiválassza ° C-t vagy ° F-t.

A kiválasztott hőmérséklet néhány másodpercre megjelenik a kijelzőn. A kijelző többször is villog, mielőtt visszatérne az előzőleg beállított hőmérséklethez.

Energiatakarékosági tanácsok

- A készüléket tegye egy jól szellőző helyre és óvja a közvetlen napfénytől.
- A meleg ételt hagyja kihűlni, mielőtt a gépbe tenné.
- Ne nyissa ki a szükségesnél gyakrabban.
- Ne hagyja nyitva tovább, mint feltétlenül szükséges.
- A készüléket ki kell olvasztani abban az esetben, ha benne jég réteg képződik.
- Kerülje a feleslegesen alacsony hőmérsékleteket.

A hűtőláda csatlakoztatása

Csatlakozás az akkumulátorhoz (jármű vagy hajó)

Az eszköz működtethető egy 12 V vagy 24 V csatlakozóval

Figyelem: Károsodás kockázata!

- A készülékből vegye ki az elemeket, mielőtt csatlakoztatná a tápegységhez.
- A károsodás megelőzése érdekében a készülék rendelkezik egy digitális fordított polaritás elleni védelemmel. Ez a rendszer védi a készüléket a rövidzárlat ellen.
- A 12/24 V DC tápkábelt csatlakoztassa a készülék DC konnektorába és a 12 V vagy 24 V szivargyűjtőbe.

Csatlakozás a 220-240 V AC hálózathoz (például otthoni vagy az irodában)

Vigyázat: Áramütésveszély!

- Soha ne fogja meg a dugót nedves kézzel, vagy tegye nedves talajra.
- Ha a hűtőládát a hajó fedélzetén használja 220-240 V hálózatban, telepítenie kell egy RCD-t a hálózat és a hűtőláda közé. Kérje ki egy szakember tanácsát.
- A készülék rendelkezik egy kapcsolóval, amely lehetővé teszi az átváltás 220-240 V AC –ra, annak ellenére, hogy a 12/24 V kábel még mindig kapcsolódik.
- Csatlakoztassa a 220-240 V kábelt a készülékhez az AC aljzatba, és csatlakoztassa a 220-240 V AC hálózatba.

Az akkumulátor ellenőrzése

A készülék része az akkumulátor töltöttségét figyelő rendszer, mely megvédi az akkumulátort a teljes lemerüléstől, amennyiben a 12/24 V-os tápegységhez csatlakozik.

Ha a készülék be van kapcsolva, de a gyújtás ki van kapcsolva, a készülék automatikusan kikapcsol, ha a feszültség lecsökken a beállított szint alá. A készülék újra bekapcsol, ha az akkumulátor elér egy adott feszültségszintet.

Figyelem! Károsodás kockázata!

Ha akkumulátor állapotának ellenőrzése ki van kapcsolva, és az akkumulátor nincs teljesen feltöltve, ne kapcsolja be újra, míg az újra fel nincs töltve. Győződjön meg arról, hogy az akkumulátor töltöttségi szintje megfelelő!

A „HIGH” üzemmódban a hűtőláda hamarabb lemerül, mint a gyengébb és MED üzemmódban(-Nézze meg az alábbi táblázatot).

Az akkumulátor állapotának ellenőrzése	LOW	MED	HIGH
Kikapcsoló feszültség 12 V-nál	10.1 V	11.4 V	11.8 V
Újrarendítő feszültség 12 V-nál	11.1 V	12.2 V	12.6 V
Kikapcsoló feszültség 24 V-nál	21.5 V	24.1 V	24.6 V
Újrarendítő feszültség 24 V-nál	23.0 V	25.3 V	26.2 V

Az akkumulátor állapotának ellenőrzését így állíthatja be:

- Nyomja meg a SET gombot 3-szor
- Az UP+ és DOWN- gombokkal szabályozza az akkumulátor állapotának ellenőrző rendszerét.
- A digitális kijelzőn megjelenik:

Lo (alacsony), Md (med), Hi (magas)

A kiválasztott mód néhány másodperc múlva megjelenik a kijelzőn. A kijelző többször is villog, ha beállította az aktuális hőmérsékletet.

A hűtőláda használata

Figyelem! Túlmelegedés veszély!

Győződjön meg róla, hogy a készülék kellően szellőzik, és hogy a működés közben termelődő hő megfelelően távozik.

Ellenőrizze, hogy a szellőzőnyílásokat semmi ne takarja. Ellenőrizze, hogy a gép elég messze van-e a falaktól és egyéb tárgyaktól, illetve hogy megfelelő-e a légáramlás.

- Helyezze a hűtőládát egy stabil felületre

Ellenőrizze, hogy a szellőzőnyílások nincsenek-e elzárva, és hogy a hő távozni tud.

Megjegyzés: Ne működtesse más helyzetekben, mint az ajánlott. Ez a készülék károsodásához vezethet.

Figyelem: Túl alacsony hőmérséklet!

Figyeljen oda, hogy a hűtőládába csak olyan élelmiszert tegyen, melyek a kívánt hőmérséklet alatt fagyaszthatóak.

- Nyomja meg az ON / OFF gombot 1 vagy 2 másodpercre.
- A LED-es kontrollégő felvillog.
- A kijelző bekapcsol, és megjeleníti az aktuális hűtési hőmérsékletet.

Megjegyzés: A megjelenített hőmérséklet a készülék belsejében mért hőmérséklet.

A hőmérséklet a készülék belsejében és a külső részein eltérhet.

Megjegyzés: Ha a készüléket az akkumulátor működteti, a kijelző automatikusan kikapcsol, ha az akkumulátor feszültsége alacsony. A LED kontrollégő narancssárgán villog.

A készülék lezárása

- Zárja le a fedelet
- Nyomja le a reteszt, míg meg nem hallja, hogy az lezáródott

A hőmérséklet beállítása

- Nyomja meg a SET gombot
- Nyomja meg a UP+ és DOWN- gombokat és válassza ki a kívánt hőmérsékletet. A kijelző néhányszor felvillog, majd újra megjelennek az aktuális hőmérséklet.

A vészleállító használata

A vészleállító kapcsoló a műszerfalon található. A használathoz a „NORMAL USE“-t kell beállítani. Ha hiba keletkezik az elektromos vezérlésben, csúsztassa a kapcsolót „EMERGENCY OVERRIDE“ pozícióba.

Megjegyzés: Ha a kapcsoló az „EMERGENCY OVERRIDE“ pozícióban van, a hűtőláda teljes kapacitással hűt.

A hűtőláda kikapcsolása

- Űrítse ki a hűtőládát
- Kapcsolja ki a hűtőládát
- Húzza ki a kábelt

Ha a készüléket egy ideig nem használja, résnyire hagyja nyitva a fedelet, hogy a kellemetlen szagok távozhassanak a hűtőláda belsejéből.

Jég a hűtőládában

Edvességtől jég keletkezhet a készülék belsejében, ami csökkenti a hűtési kapacitást. Ennek elkerülése érdekében a készüléket időnként ki kell olvasztani.

Advességtől jég keletkezhet a készülék belsejében, ami csökkenti a hűtési kapacitást. Ennek elkerülése érdekében a készüléket időnként ki kell olvasztani.

Figyelem: Károsodás kockázata!

A jég és az odafagyott tárgyak eltávolítására ne használjon kemény, éles tárgyakat.

Olvasztáskor kövesse az alábbi lépéseket:

- Vegye ki a hűtőláda tartalmát.
- Ha szükséges, helyezze az élelmiszert egy másik hűtőberendezésbe, hogy hidegen tartsa őket.
- Kapcsolja ki a készüléket.
- Hagyja nyitva a fedelet
- Törölje le az olvadt vizet

A dugó biztosítékának cseréje

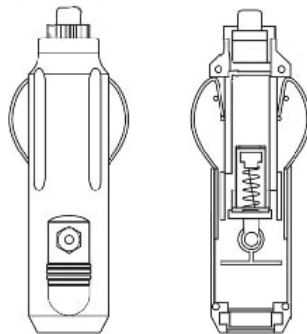
Veszély: Áramütés veszély!

Mielőtt biztosítékot cserél, húzza ki a tápkábelt.

- Vegye ki a tápkábelt
- A sérült biztosítékot csak azonos paraméterekkel rendelkezőre cserélje ki
- Helyezze vissza a biztosítékot a gépbe

Biztosítékcseré (12/24V)

- Nyissa fel a zárt.
- Vegye ki a biztosítékot, és cserélje ki egy nova 8 A biztosítékkal.
- Szerelje össze fordított sorrendben.



Tisztítás és karbantartás

Vigyázat: Szerviz és tisztítás előtt mindig húzza ki a készüléket a hálózatról.

Figyelem! Károsodás kockázata!

- Soha ne tisztítsa folyó víz alatt vagy mosogatógépben.
- Ne használjon súrolószert vagy éles tárgyakat, azok károsíthatják a készüléket.
- Alkalmanként törölje meg kívül-belül nedves ruhával.

A kézikönyvben használt fényképek csak illusztrációk, nem egyeznek meg pontosan a termékkel.

Problémaelhárítás

Hiba	Lehetséges okok	Megoldási javaslat
Az eszköz nem működik, a LED nem világít.	Az aljzatban nincs feszültség.	A legtöbb járművet be kell gyújtani, hogy az aljzatok áram alatt legyenek.
	Nincs feszültség az AC aljzatban.	Próbáljon ki egy másik aljzatot.
	Az integrált hálózati adapter nem működik.	Csak hivatalos szervizben javítható.
	A biztosíték rossz.	Cserélje ki a biztosítékot, tájékozzódjon a "Biztosíték cseréje" fejezetből.
A készülék nem hűt (csatlakoztatva van, a POWER LED világít).	Hibás kompresszor.	Csak hivatalos szervizben javítható.
A készülék nem hűt (csatlakoztatva van, a POWER LED narancssárga színnel világít, a kijelző ki van kapcsolva).	Az akkumulátor feszültsége túl alacsony.	Ellenőrizze az akkumulátort és töltsé fel, ha szükséges.
Amikor a 12/24 V aljzathoz van csatlakoztatva (autós szivargyújtó): gyújtás bekapcsolásakor a készülék nem működik, és a LED nem világít. Húzza ki a tápkábelt, és ellenőrizze.	Autós szivargyújtó piszkos, és nincs megfelelő villamos érintkezés.	Tisztítsa meg a szivargyújtót.
	Kiégett 12/24 biztosíték dugó.	Cserélje ki a biztosítékot.
	Kiégett jármű biztosíték .	Cserélje ki a 12/24 biztosítékot a jármű kézikönyve szerint.
A kijelzőn hiba jelenik meg, és a készülék nem hűt.	A készülék egy belső hiba miatt kikapcsolt.	Csak hivatalos szervizben javítható.

Műszaki adatok



	ECF40	ECF50	ECF60
Csatlakozó feszültség:	DC 12/24 V +AC 100-240 V		
Max áramfelvétel:	96 W	96 W	96 W
Hűtőtéljesítmény:	-20°C - +10°C		
Kategória:	1		
Energiahatékonysági osztály:	A++		
Teljes térfogat:	40 l	50 l	60 l
Klímaosztály:	N, T		
Környezeti hőmérséklet:	+16°C - +43°C		
Zajkibocsátás:	43 dB(A)		
Méretek mm-ben:	714x453x423,5	714x453x468,5	714x453x523,5
Súly:	20 Kg	21,5 Kg	23 Kg

Megjegyzés: Ha a környezeti hőmérséklet meghaladja a 32 fokot, nem lehet elérni a minimális hőmérsékletet.

A magyar használati utasítás a gyártótól kapott verzió pontos fordítása.

A kézikönyvben használt fényképek csak illusztrációk, nem egyeznek meg pontosan a termékkel.



Dziękujemy za zakup naszego produktu.

Przed użyciem prosimy starannie przeczytać tę instrukcję.

Instrukcja bezpieczeństwa

1. Bezpieczeństwo podstawowe

Niebezpieczeństwo: Na łodziach: jeżeli urządzenie jest włączane do sieci, należy sprawdzić, czy w instalacji zasilającej jest zastosowane zabezpieczenie elektryczne.

Ostrzeżenie:

- Z urządzenia nie korzysta się, jeżeli jest uszkodzone w widoczny sposób.
- To urządzenie w przypadku awarii musi być naprawiane przez specjalistę.
- Niefachowe naprawy mogą spowodować znaczne niebezpieczeństwo.
- Ten odbiornik nie jest przeznaczony do użytkowania przez osoby (łącznie z dziećmi), które mają zmniejszone predyspozycje fizyczne, psychiczne albo mentalne oraz nie dysponują niezbędną wiedzą i doświadczeniem, o ile nie jest nad nimi sprawowany nadzór albo osoba odpowiedzialna za ich bezpieczeństwo nie udzieliła im instrukcji dotyczących bezpiecznego korzystania z urządzenia.
- Urządzenia elektryczne nie służą do zabawy.
- Dzieci bez dozoru nie powinny pozostawać w pobliżu urządzenia.
- Jeżeli przewód zasilający urządzenie jest uszkodzony, musi być zawsze wymieniony przez producenta, serwis specjalistyczny albo inną wykwalifikowaną osobę.
- W urządzeniu nie wolno przechowywać żadnych materiałów grożących wybuchem.

Uwaga:

- Przed czyszczeniem i konserwacją urządzenie zawsze wyłączamy z sieci elektrycznej.
- Artykuły spożywcze składujemy tylko w oryginalnych opakowaniach albo w odpowiednich pojemnikach.

Zwrócenie uwagi:

- Urządzenie zawsze podłącza się w następujący sposób:
 - Przewód zasilający z wtyczką DC włączamy do gniazdka zasilającego DC w pojeździe (na przykład do zapalniczki samochodowej).
 - Przewód zasilający 230 V włączamy do gniazdka do 230 V zmiennego prądu elektrycznego (AC).
- Sprawdzamy, czy napięcie na tabliczce odpowiada napięciu w sieci zasilającej.
- Chłodziarka nie nadaje się do transportu materiałów żrących albo materiałów zawierających rozpuszczalniki.
- Przy wyłączeniu urządzenia z gniazdka elektrycznego nigdy nie pociągamy za przewód, urządzenie zawsze wyłączamy, trzymając za wtyczkę.
- Jeżeli chłodziarka jest podłączona do gniazdka elektrycznego w pojeździe: przed wyłączeniem silnika odłączamy urządzenie z sieci albo je wyłączamy. Mogłoby dojść do rozładowania baterii akumulatorów.

2. Bezpieczna praca urządzenia

Niebezpieczeństwo: Nie dotykamy niezabezpieczonych przewodów gołymi rękoma. To dotyczy w szczególności podłączenia do zmiennego prądu elektrycznego.

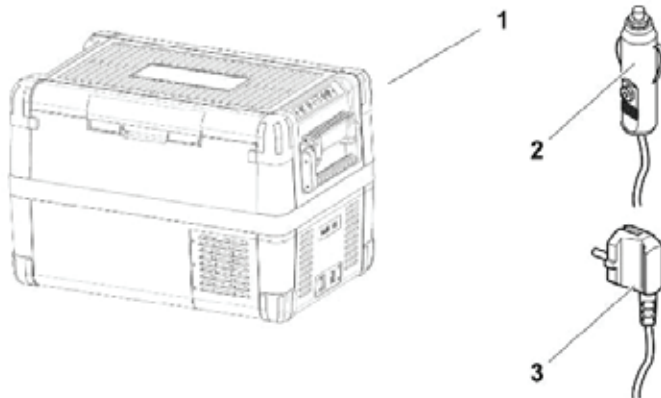
Uwaga:

- Przed włączeniem urządzenia upewniamy się, że wtyczka i przewód są bez zarzutu.

Zwrócenie uwagi:

- Do wnętrza urządzenia nie wkładamy żadnych innych urządzeń elektrycznych, jeżeli producent tego nie dopuszcza.
- Urządzenia nie używamy w pobliżu ognia i źródeł ciepła (grzejniki, nasłonecznienie, kuchenki gazowe,...).
- Niebezpieczeństwo przegrzania.
- Urządzeniu zapewniamy dostateczne doprowadzenie powietrza tak, aby ciepło powstające w czasie eksploatacji nie powodowało wzrostu temperatury. Sprawdzamy, że urządzenie jest w dostatecznej odległości od ścian i innych obiektów tak, aby zachodziła wystarczająca cyrkulacja powietrza.
- Sprawdzamy, czy otwory wentylacyjne nie są zakryte.
- Wnętrze urządzenia nie napełniamy lodem, ani żadną inną cieczą.
- Urządzenia nigdy nie zanurzamy do wody.
- Chronimy urządzenie i przewód zasilający przed ciepłem i wilgocią.

Zakres dostawy



1. Chłodziarka
2. Przewód zasilający do podłączenia 12/24 V ----
3. Przewód zasilający do podłączenia 220-240 V ~

Przeznaczenie

Chłodziarka jest przeznaczona do chłodzenia i zamrażania artykułów spożywczych. Urządzenie jest przystosowane do użytkowania na łodziach.

Urządzenie jest przystosowane do zasilania 12V albo 24 V z gniazdka w samochodzie (na przykład zapalniczka samochodowa), albo 220-240 V gniazdka na pokładzie łódki albo w przyczepie kempingowej.

Opis funkcji

Chłodziarka jest zdolna do chłodzenia artykułów spożywczych, utrzymywania ich w zimnie i do zamrażania.

Izolacja i wydajna sprężarka zapewniają dostateczne i szybkie chłodzenie.

Chłodziarka jest przenośna.

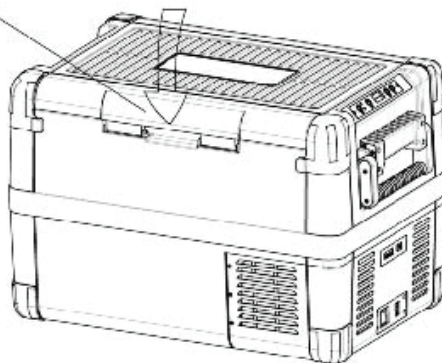
Chłodziarka jest wykonana tak, aby mogła być przechylona nawet o 30 stopni, co w szczególności wiąże się z użytkowaniem jej na łodziach.

Zakres funkcji

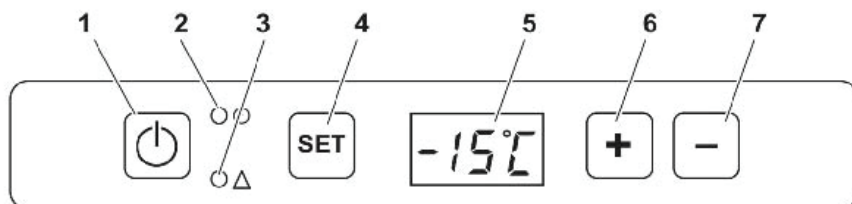
- Zasilacz z obwodem pierwotnym do podłączenia do napięcia zmiennego.
- Kontrola stanu naładowania baterii akumulatorów dla ich ochrony w samochodzie.
- Wyświetlacz z temperaturą w stopniach °C albo °F.
- Przy niskim napięciu baterii akumulatorów urządzenie wyłączy się automatycznie.
- Regulacja temperatury: 2 przyciski-jeden do stopni °C, drugi do °F
- Składane rączki
- Wyłącznik awaryjny
- Wyjmowany koszyk druciany

Eksplatacja i elementy na wyświetlaczu

1. Zapadka pokrywy

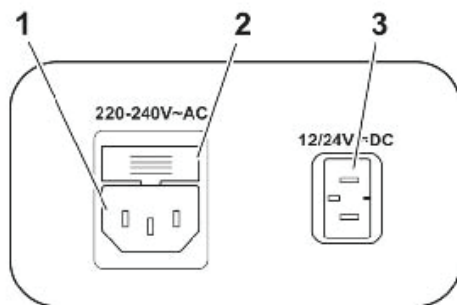


Panel do obsługi



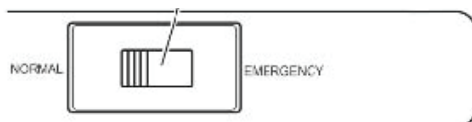
Pozycja	Opis	Objaśnienia
1	ON OFF	Jeżeli przytrzymamy przez chwilę ten przycisk, urządzenie włączy się/wyłączy
2	POWER	Wskaźnik stanu Dioda LED świeci zielono: kompresor jest włączony. Dioda LED świeci pomarańczowo: kompresor jest wyłączony Dioda LED miga pomarańczowo: wyświetlacz wyłączył się automatycznie ze względu na niskie napięcie akumulatorów
3	ERROR	Dioda LED miga czerwono urządzenie jest włączone, ale nie jest gotowe do pracy
4	SET	Wybór trybu - Ustawienie jednostki temperatury - °C albo °F - Ustawienie kontroli stanu baterii akumulatorów
5	DISPLAY	Wyświetlacz z informacjami
6	UP +	Zwiększenie wartości -1 naciśnięcie
7	DOWN -	Zmniejszenie wartości -1 naciśnięcie

Gniazдка



Pozycja	Opis
1	Gniazdko do doprowadzenia prądu zmiennego (AC)
2	Uchwyt zabezpieczający
3	Gniazdko do doprowadzenia prądu stałego (DC)

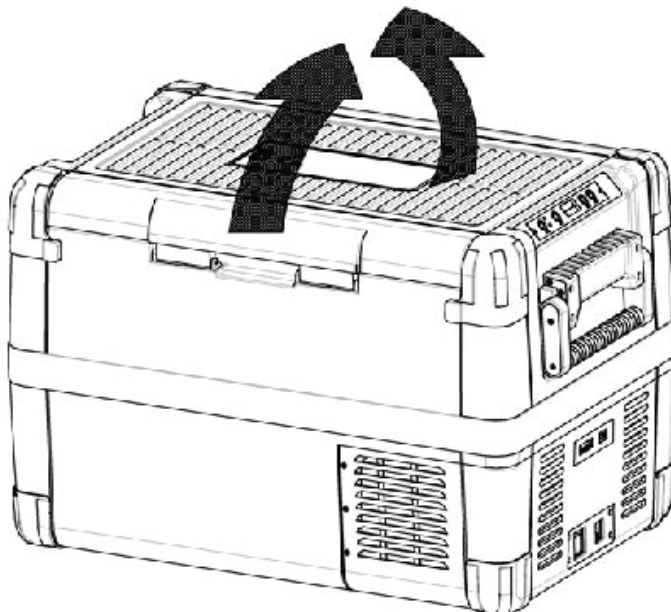
Wyłącznik awaryjny



Eksploatacja

Przed pierwszym włączeniem

Uwaga: Przed pierwszym włączeniem oczyścimy wnętrze i część zewnętrzną urządzenia wilgotną ściereczką.



Pokrywę można wyjąć w całości albo można ją otworzyć na bok. 2 sposoby otwierania – na prawo albo na lewo.

Wybór jednostki temperatury

Temperaturę można ustawiać albo w °C, albo °F:

- Włączamy urządzenie.
- Dwa razy naciskamy przycisk SET.
- Korzystamy z przycisku UP+ i DOWN – aby wybrać °C albo °F.

Wybrana temperatura na kijka sekund pojawia się na wyświetlaczu. Wyświetlacz miga kilkakrotnie, zanim powróci do aktualnej temperatury.

Rady dotyczące oszczędzania energii elektrycznej

- Do ustawienia urządzenia wybieramy dobrze wentylowane miejsce chronione przed bezpośrednim nasłonecznieniem
- Ciepłe potrawy przed ich umieszczenie w urządzeniu muszą ostygnąć.
- Nie otwieramy chłodziarki częściej, niż jest to konieczne.
- Urządzenia nie zostawiamy otwartego dłużej, niż jest to niezbędnie konieczne.
- Urządzenie musi być rozmrożone w przypadku, kiedy tworzy się w nim warstwa lodu.
- Unikamy ustawiania zbyt niskiej temperatury.

Podłączenie chłodziarki

Podłączenie do baterii akumulatorów (pojazd albo łódka)

Urządzenie może być eksploatowane z podłączeniem na 12 V albo z podłączeniem na 24 V

Uwaga: Niebezpieczeństwo zniszczenia!

- Urządzenie odłączamy od baterii akumulatorów zanim tę baterię podłączymy do ładowania za pomocą prostownika
- Aby zabezpieczyć urządzenie przed uszkodzeniem, jest ono wyposażone w elektroniczną ochronę przed skutkami zamiany biegunowości. Ten system chroni urządzenie przed zwarciem przy podłączaniu urządzenia do baterii akumulatorów.
- Przewód zasilający 12/24 V włączamy do gniazdka DC urządzenia i do gniazdka zapalniczki samochodowej na 12 V albo 24 V .

Podłączenie do sieci 220-240 V AC (na przykład w domu albo w biurze)

Niebezpieczeństwo: Niebezpieczeństwo porażenia prądem elektrycznym.

- Nigdy nie trzymamy wtyczki, jeżeli mamy mokre ręce albo, jeżeli stoimy na mokrej podłodze.
- Jeżeli chłodziarkę użytkujemy na pokładzie łodzi z podłączeniem do sieci 220-240 V, to musimy zainstalować wyłączni różnicowo-prądowy w obwodzie zasilania chłodziarki. Konsultujemy to z wykwalifikowanym elektrykiem.
- Urządzenie jest wyposażone w przełącznik, który umożliwia przełączenie na zasilanie 220-240 V AC nawet, gdy przewód do zasilania 12/24 V będzie podłączony na stałe.
- Przewód zasilania na 220-240 V podłączamy do gniazdka AC w chłodziarce, a potem do gniazdka w sieci 220-240 V AC.

Zastosowana kontrola stanu rozładowania baterii akumulatorów

Urządzenie jest wyposażone w wielostopniową kontrolę stanu baterii akumulatorów, która chroni baterię przed nadmiernym rozładowaniem, kiedy urządzenie pracuje przy zasilaniu 12/24 V.

Jeżeli urządzenie jest włączone, a stacyjka samochodu zostanie wyłączona, urządzenie automatycznie wyłączy się, jak tylko napięcie zasilające zmniejszy się poniżej ustawionego poziomu. Urządzenie włączy się ponownie wtedy, gdy bateria akumulatorów zostanie naładowana do odpowiedniego poziomu napięcia.

Zwrócenie uwagi! Niebezpieczeństwo zniszczenia!

Jeżeli kontrola stanu baterii akumulatorów wyłączy urządzenie i bateria akumulatorów nie zostanie ponownie w pełni naładowana, nie dopuszczamy do ponownego włączenia chłodziarki albo pracy urządzenia bez przeprowadzenia doładowania. Sprawdzamy, czy bateria akumulatorów jest dostatecznie naładowana!

W trybie „HIGH“ chłodziarka samochodowa wyłącza się szybciej, niż w trybie LOW i MED (prosimy zajrzeć do poniższej tabeli).

Tryb kontroli baterii akumulatorów	LOW	MED	HIGH
Napięcie wyłączenia na 12 V	10.1 V	11.4 V	11.8 V
Napięcie ponownego uruchomienia na 12 V	11.1 V	12.2 V	12.6 V
Napięcie wyłączenia na 24 V	21.5 V	24.1 V	24.6 V
Napięcie ponownego uruchomienia na 24 V	23.0 V	25.3 V	26.2 V

Kontrolę stanu baterii akumulatorów ustawiamy następująco:

- Naciskamy 3x przycisk SET
- Korzystamy z przycisku UP+ i DOWN- do ustawienia trybu kontroli stanu rozładowania baterii akumulatorów.
- Na wyświetlaczu cyfrowym pojawia się:
Lo (low), Md (med), Hi (high)

Wybrany tryb przez kilka sekund jest widoczny na wyświetlaczu. Wyświetlacz miga kilkakrotnie, a potem ustawia się aktualną temperaturę.

Wykorzystanie, jako zamrażarka

Zwrócenie uwagi! Niebezpieczeństwo przegrzania!

Sprawdzamy, czy dochodzi do dostatecznej wentylacji tak, aby ciepło wytwarzane podczas pracy mogło być rozproszone. Sprawdzamy, czy otwory wentylacyjne nie są czymś zasłonięte. Sprawdzamy, czy urządzenie jest dostatecznie oddalone od ścian i innych przedmiotów tak, aby powietrze mogło swobodnie przepływać.

- Chłodziarkę umieszczamy na stabilnym podłożu

Sprawdzamy, czy kanały wentylacyjne nie są czymś zasłonięte, a ciepło wytwarzane podczas pracy może być rozproszone.

Uwaga: Jeżeli urządzenie eksploatuje się w innym położeniu, niż jest zalecane, może dojść do jego uszkodzenia.

Zwrócenie uwagi: Niebezpieczeństwo zbyt niskiej temperatury!

Sprawdzamy, czy do chłodziarki zostały włożone tylko te artykuły spożywcze, które są przeznaczone do zamrażania w wybranej temperaturze

- Naciskamy przycisk ON/OFF przez 1 albo 2 sekundy.
- Zapala się lampka sygnalizacyjna LED.
- Wyświetlacz włącza się i wyświetla bieżącą temperaturę chłodzenia.

Uwaga: Wyświetlana temperatura je temperaturą odpowiadającą środkowej części przestrzeni chłodzenia. Temperatura na brzegach wnętrza urządzenia może się nieco różnić.

Uwaga: Jeżeli urządzenie jest zasilane z baterii akumulatorów, wyświetlacz automatycznie wyłączy się, jeżeli napięcie baterii akumulatorów obniży się. Lampka sygnalizacyjna LED miga na pomarańczowo.

Zamknięcie zapadki urządzenia

- Zamykamy pokrywę
- Zapadkę wciskamy w dół, aż nie usłyszymy dźwięku świadczącego o zamknięciu.

Ustawianie temperatury

- Naciskamy jeden raz przycisk SET
- Naciskając przyciski UP+ i DOWN - wybieramy wymaganą temperaturę

Temperatura przez kilka sekund jest widoczna na wyświetlaczu. Wyświetlacz miga kilkakrotnie, a potem jest wyświetlana aktualna temperatura.

Korzystanie z wyłącznika awaryjnego

Wyłącznik awaryjny jest umieszczony pod panelem sterującym. Przy normalnej pracy jest ustawiony w położeniu „NORMAL USE“.

Jeżeli wystąpi usterka w sterowaniu elektrycznym, wyłącznik przestawiamy w położenie „sterowanie awaryjne“ „EMERGENCY OVERRIDE“.

Uwaga: Jeżeli wyłącznik jest w położeniu „sterowanie awaryjne“, chłodziarka chłodzi z maksymalną wydajnością chłodzenia.

Wyłączenie chłodziarki

- Opróżniamy chłodziarkę
- Wyłączamy chłodziarkę
- Odlączamy przewód

Jeżeli urządzenie nie będzie wykorzystywane przez dłuższy czas, to pokrywę zostawiamy lekko uchyloną, aby nie dopuścić do gromadzenia się zapachów, które mogą powstać wewnątrz urządzenia.

Rozmrażanie chłodziarki

Wilgoć może spowodować powstanie lodu wewnątrz urządzenia, co zmniejsza jego zdolność chłodzenia. Aby tego uniknąć, urządzenie rozmraża się.

Zwrócenie uwagi: Niebezpieczeństwo uszkodzenia!

Do usuwania lodu i przedmiotów przymarzniętych do wnętrza chłodziarki nigdy nie stosujemy twardych rzeczy.

Przy rozmrażaniu postępujemy następująco:

- Wyjmujemy zawartość z urządzenia do chłodzenia.
- Jeżeli to konieczne przenosimy artykuły spożywcze do innej lodówki, aby utrzymać je w chłodzie.
- Wyłączamy urządzenie.
- Zostawiamy otwartą pokrywę.
- Wycieramy powstającą wodę.

Wymiana bezpiecznika w urządzeniu

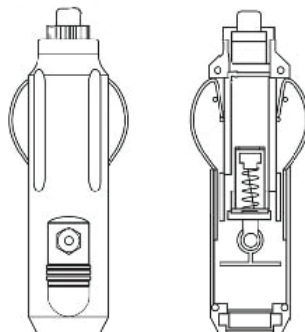
Niebezpieczeństwo: Niebezpieczeństwo porażenia prądem elektrycznym!

Przed wymianą bezpiecznika odłączamy przewód zasilający.

- Wyjmujemy wtyczkę z przewodem
- Przepalony bezpiecznik zastępujemy nowym o tej samej wartości prądu.
- Nowy bezpiecznik wkładamy do urządzenia

Wymiana bezpiecznika (12/24 V)

- Otwieramy zamknięcie.
- Wyjmujemy bezpiecznik i go zastępujemy nowym o wartości 8 A.
- Montaż wykonujemy w odwrotnej kolejności.



Czyszczenie i konserwacja

Ostrzeżenie: Przed serwisem i czyszczeniem urządzenie zawsze odłączamy od sieci zasilającej.

Zwrócenie uwagi! Niebezpieczeństwo uszkodzenia

- Urządzenia nigdy nie czyścimy pod bieżącą wodą, ani w zmywarce do naczyń.
- Nie korzystamy ze środków czyszczących o działaniu ściernym albo twardych przedmiotów, które mogą uszkodzić to urządzenie.
- Starannie czyścimy urządzenie wewnątrz i z zewnątrz za pomocą wilgotnej ściereczki.
- rozwiązywanie problemów

Rozwiązywanie problemów

Usterka	Możliwa przyczyna	Proponowane rozwiązanie
Urządzenie nie działa, dioda LED nie świeci.	Brak napięcia w gniazdku.	W większości pojazdów stacyjka musi być włączona, aby w gniazdku był prąd.
	Brak napięcia w gniazdku AC.	Próbujemy skorzystać z innego gniazdka.
	Zintegrowany zasilacz sieciowy nie działa.	Naprawiamy tylko w specjalistycznym centrum serwisowym
	Bezpiecznik urządzenia jest przepalony.	Wymieniamy bezpiecznik, patrz rozdział „wymiana bezpiecznika w urządzeniu“.
Urządzenie nie chłodzi (wtyczka jest włączona, dioda „POWER“ LED świeci).	Uszkodzony kompresor.	Naprawiamy tylko w specjalistycznym centrum serwisowym.
Urządzenie nie chłodzi (wtyczka jest włączona, dioda „POWER“ LED świeci pomarańczowo, wyświetlacz jest wyłączony).	Napięcie baterii akumulatorów jest za niskie.	Sprawdzamy baterię akumulatorów i doładowujemy ją, jeżeli to konieczne.
Przy pracy z gniazdka 12/24 V (zapalniczka samochodowa): stacyjka jest włączona, urządzenie nie pracuje, a dioda LED nie świeci. Odłączamy przewód z gniazdka i wykonujemy kontrolę.	Gniazdko zapalniczki jest zanieczyszczone i brak jest odpowiedniego styku elektrycznego.	Czyścimy gniazdko zapalniczki samochodowej.
	Spalony bezpiecznik w obwodzie gniazdka 12/24 V.	Wymieniamy bezpiecznik, patrz.
	Spalony bezpiecznik w samochodzie.	Wymieniamy bezpiecznik 12/24 V zgodnie z instrukcją pojazdu.
Wyświetlacz pokazuje usterkę, a urządzenie nie chłodzi.	Urządzenie wyłączyło się z powodu usterki wewnętrznej.	Naprawiamy tylko w specjalistycznym centrum serwisowym.

Parametry techniczne



	ECF40	ECF50	ECF60
Napięcie zasilające:	DC 12/24 V +AC 100-240 V		
Maks. zużycie energii:	96 W	96 W	96 W
Zdolność chłodzenia:	-20°C - +10°C		
Kategoria:	1		
Klasa efektywności energetycznej:	A++		
Pojemność około:	40 l	50 l	60 l
Klasa klimatyczna:	N, T		
Temperatura otoczenia:	+16°C - +43°C		
Emisja hałasu:	43 dB(A)		
Wymiary v mm:	714x453x423,5	714x453x468,5	714x453x523,5
Ciężar:	20 Kg	21,5 Kg	23 Kg

Uwaga: jeżeli temperatura otoczenia przekracza 32 stopnie, to minimalna temperatura wewnątrz chłodziarki nie jest możliwa do osiągnięcia.

Polska wersja językowa instrukcji jest dokładnym tłumaczeniem oryginalnej instrukcji producenta. Zdjęcia wykorzystane w tym podręczniku są jedynie ilustracją i nie może dokładnie dopasować produkt.

۲۱

