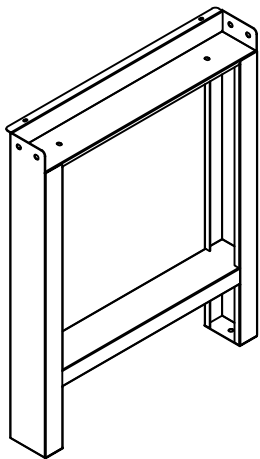
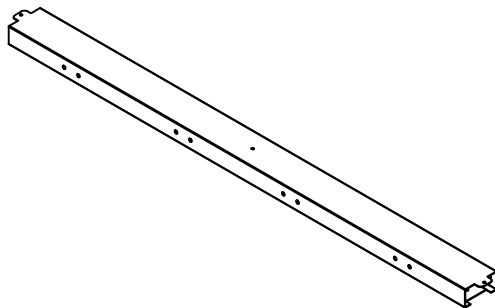
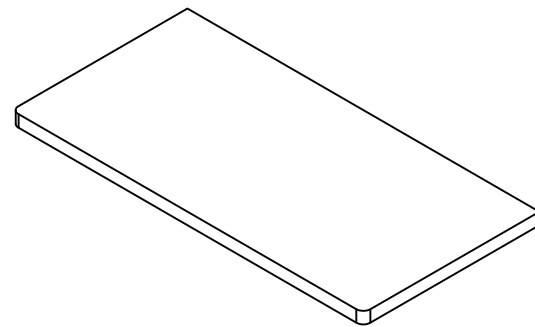


A

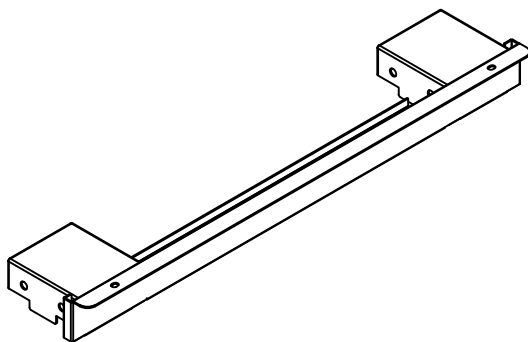
1Pc

B

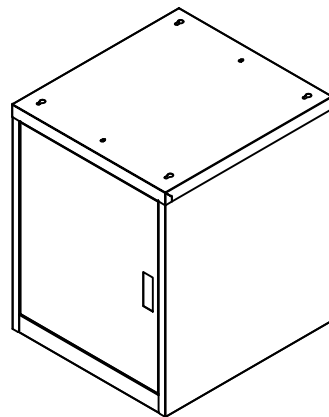
2Pcs

C

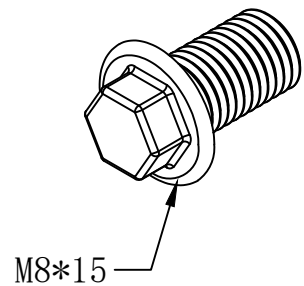
1Pc

D

1Pc

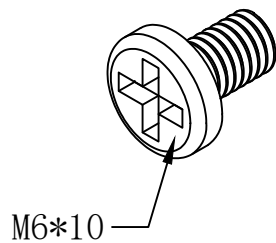
E

1Pc

a

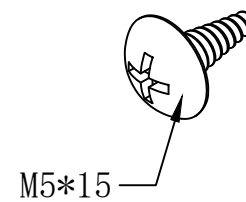
M8*15

8Pcs

b

M6*10

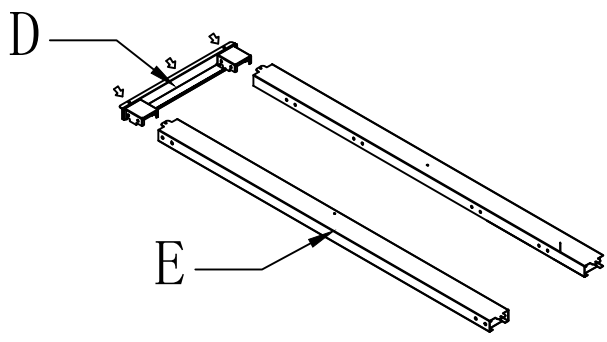
6Pcs

c

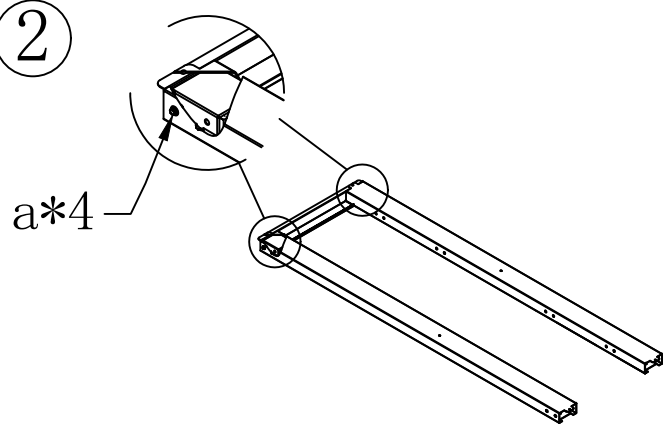
M5*15

6Pcs

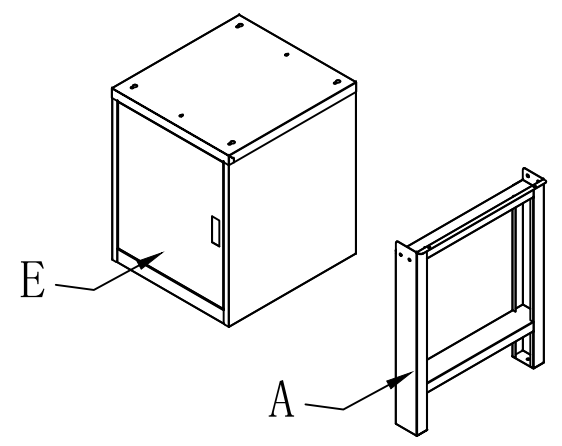
1



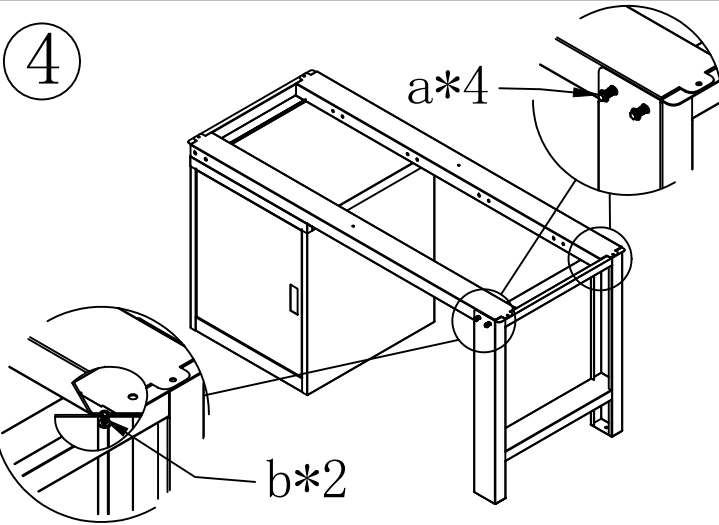
2



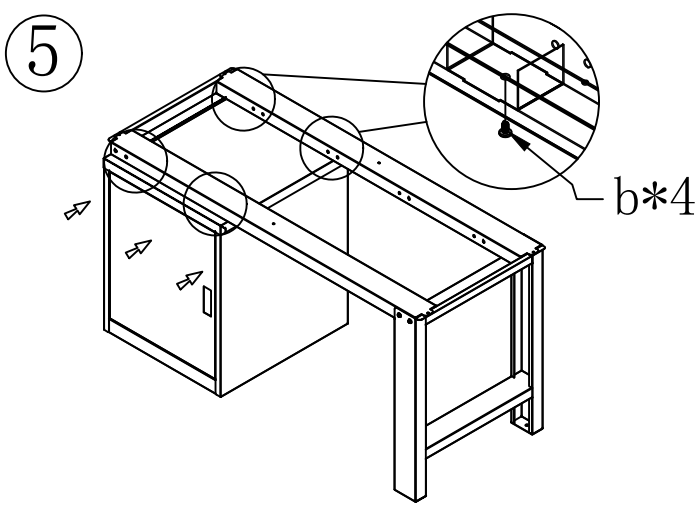
3



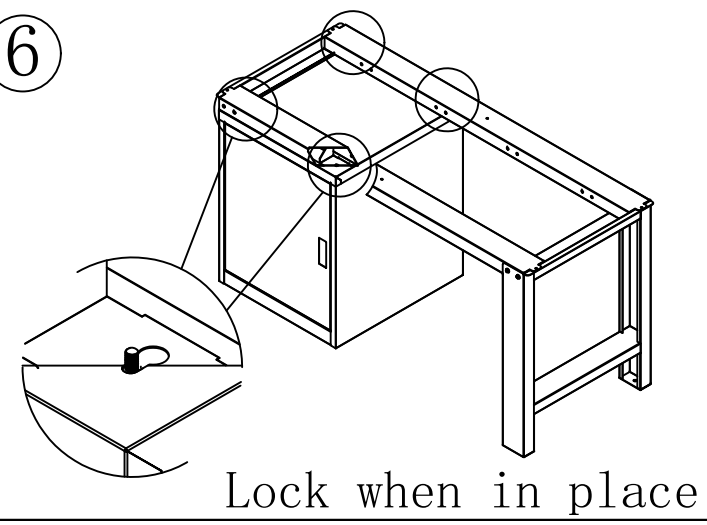
4



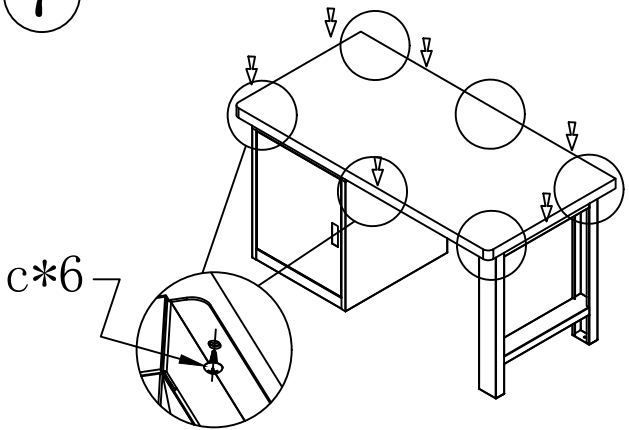
5

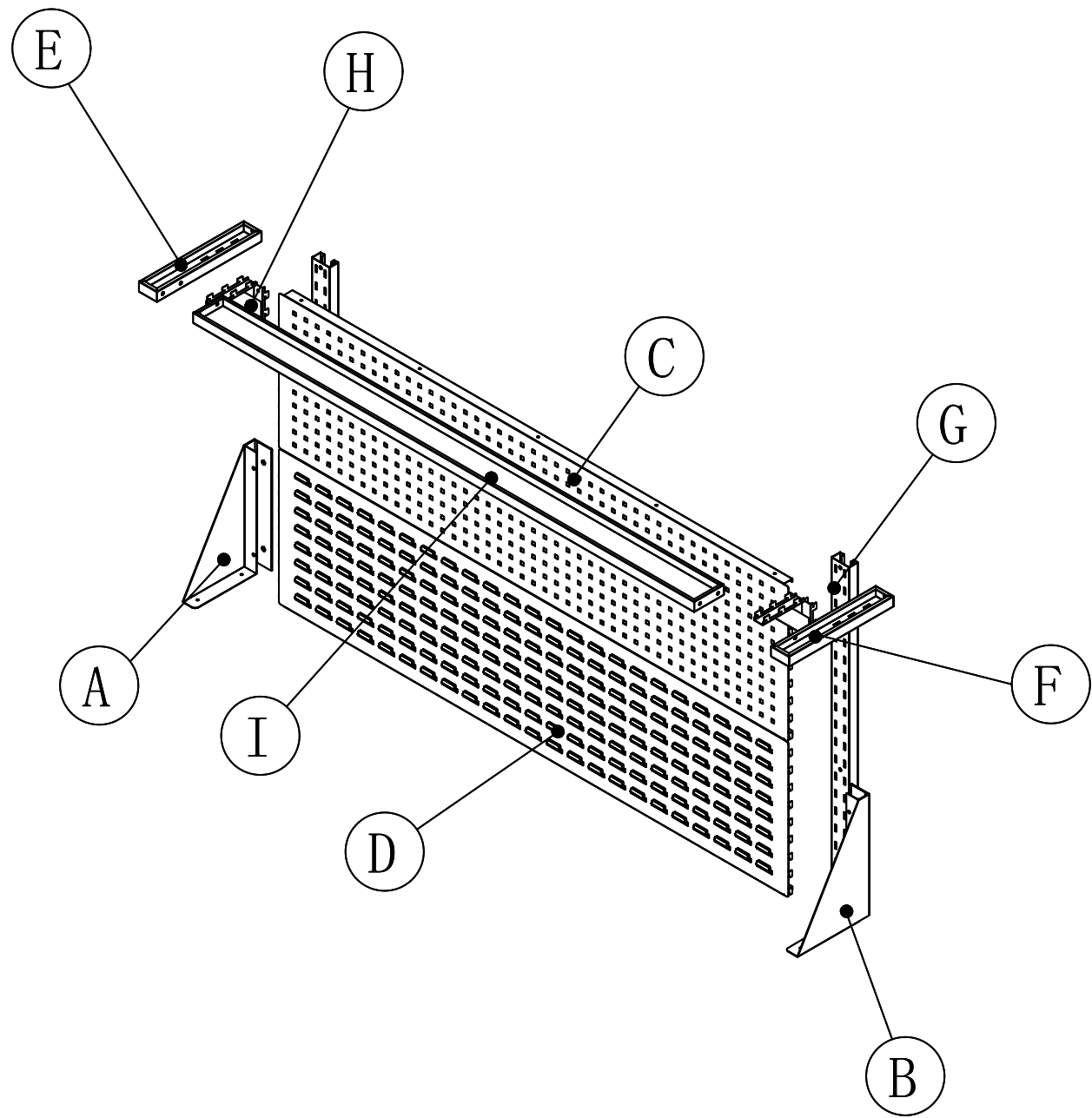
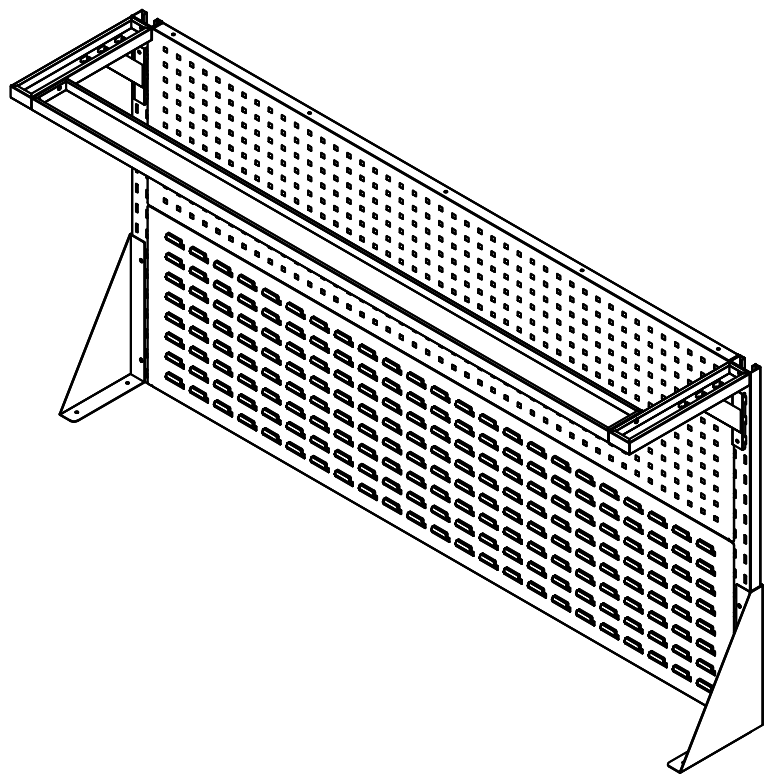


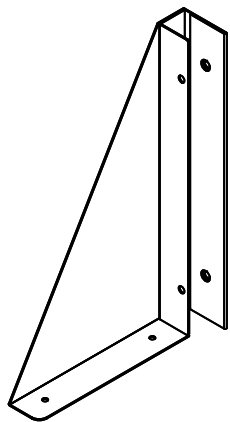
6



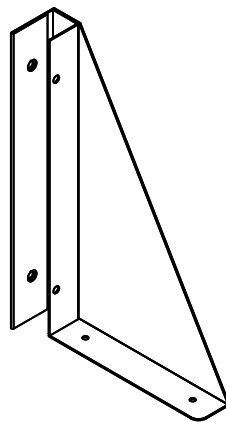
7



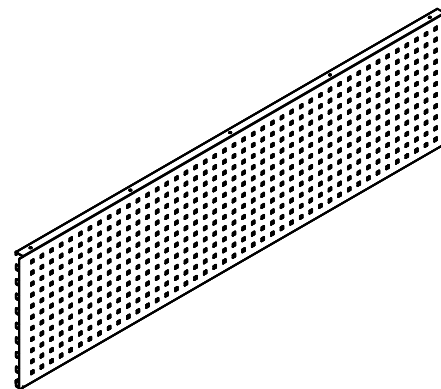


A

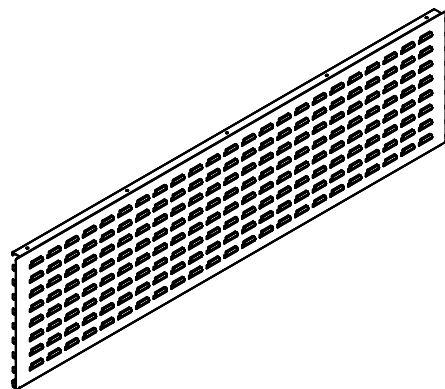
1Pc

B

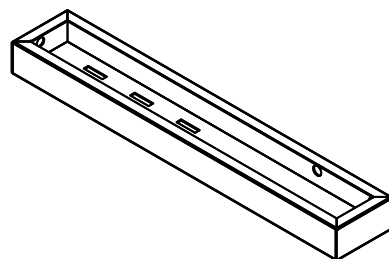
1Pc

C

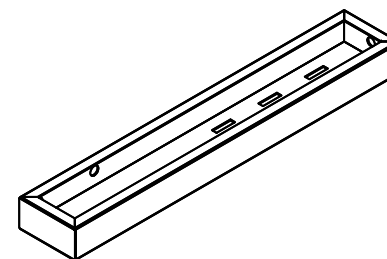
1Pc

D

1Pc

E

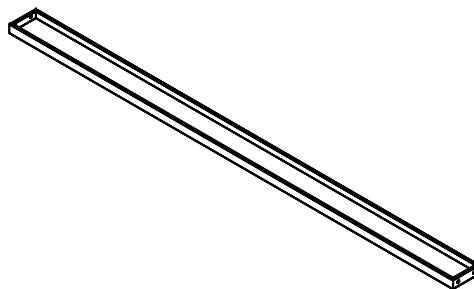
1Pc

F

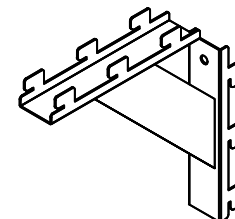
1Pc

G

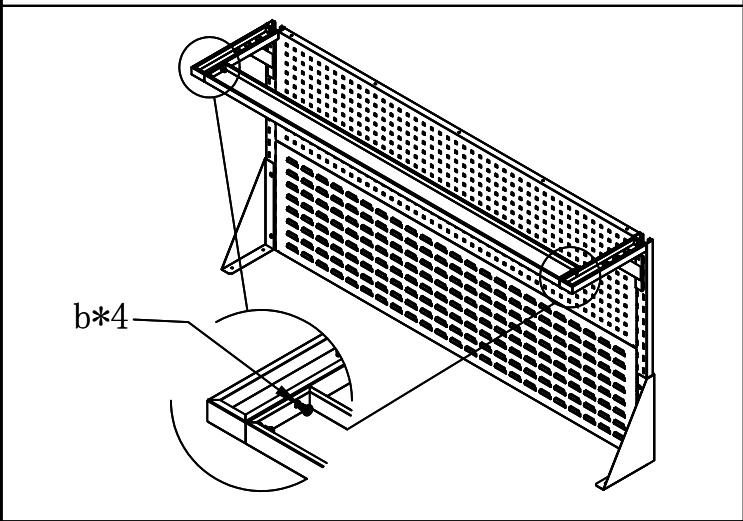
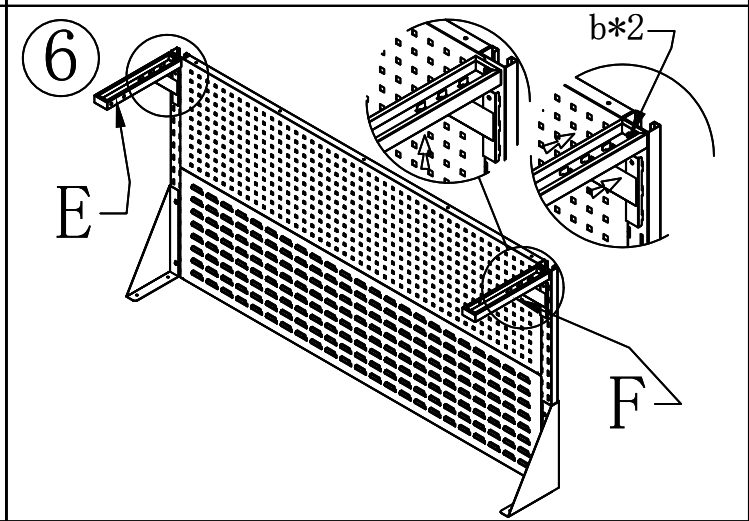
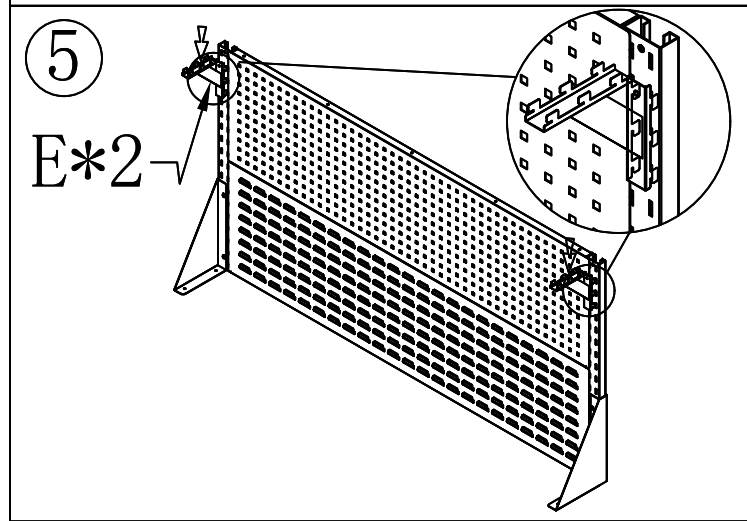
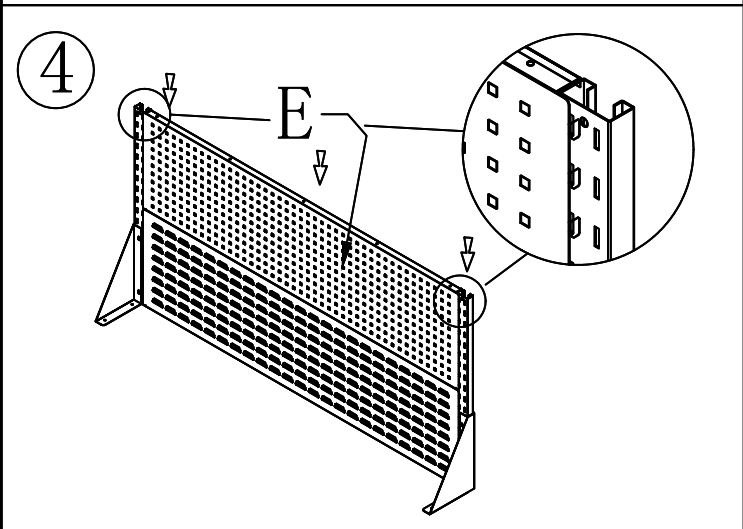
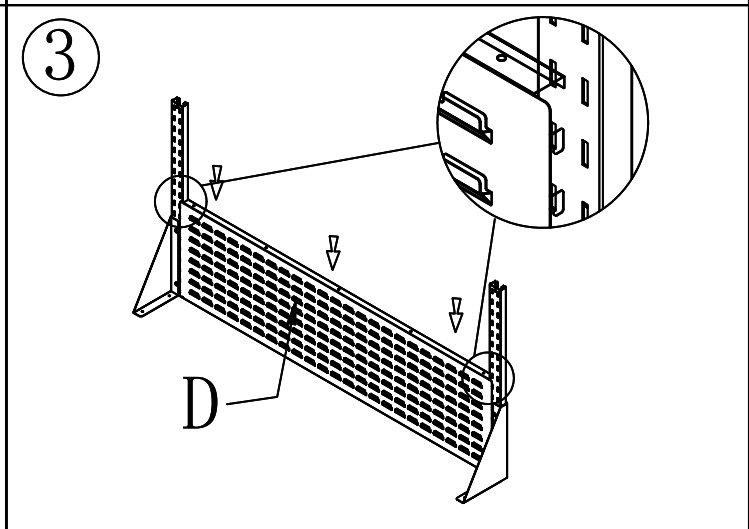
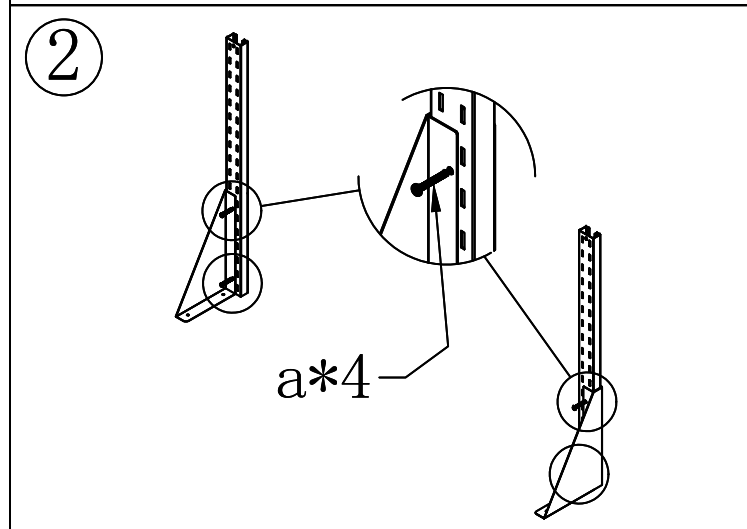
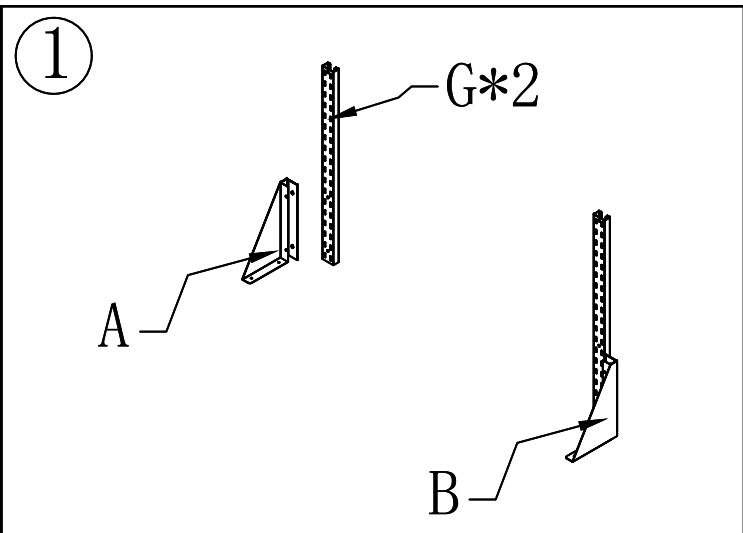
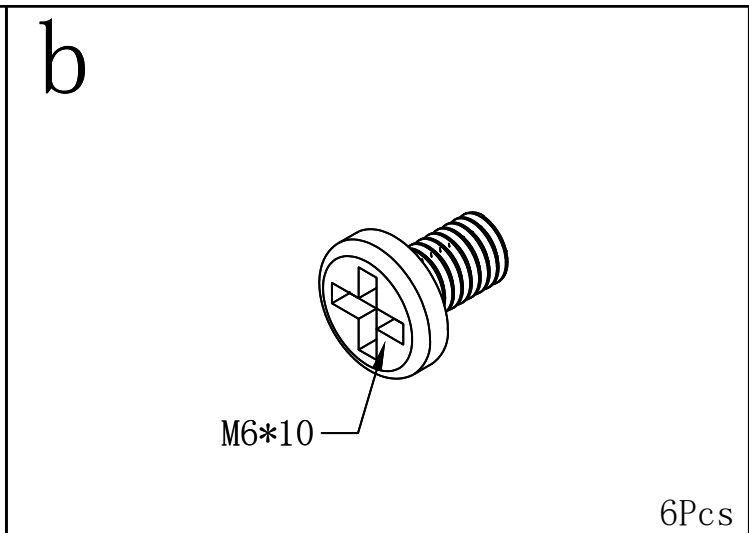
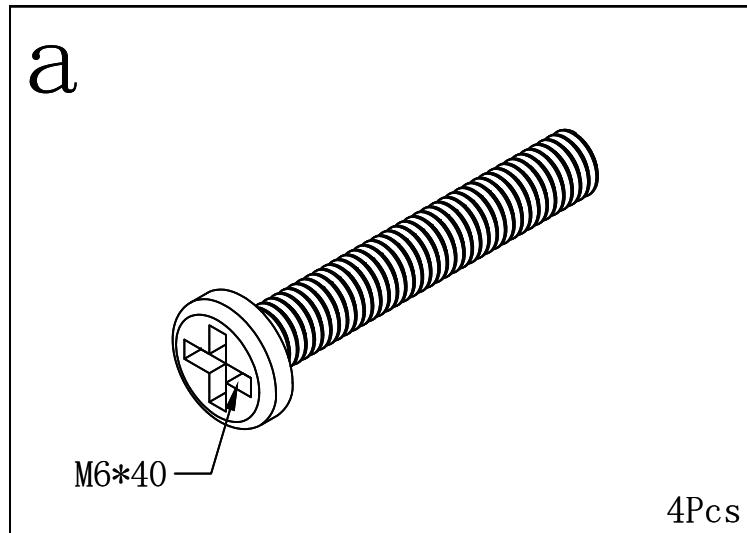
2Pcs

H

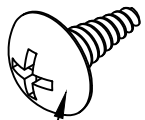
1Pc

I

2Pcs

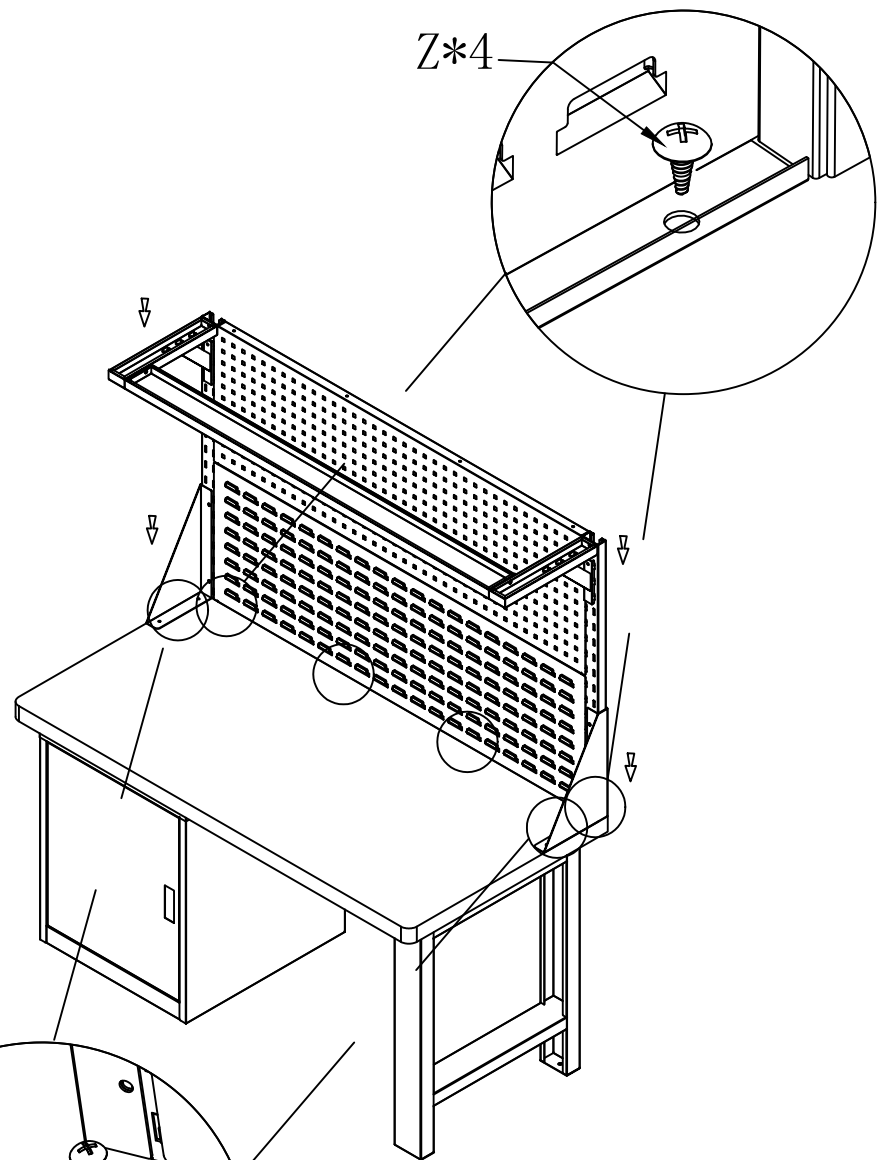
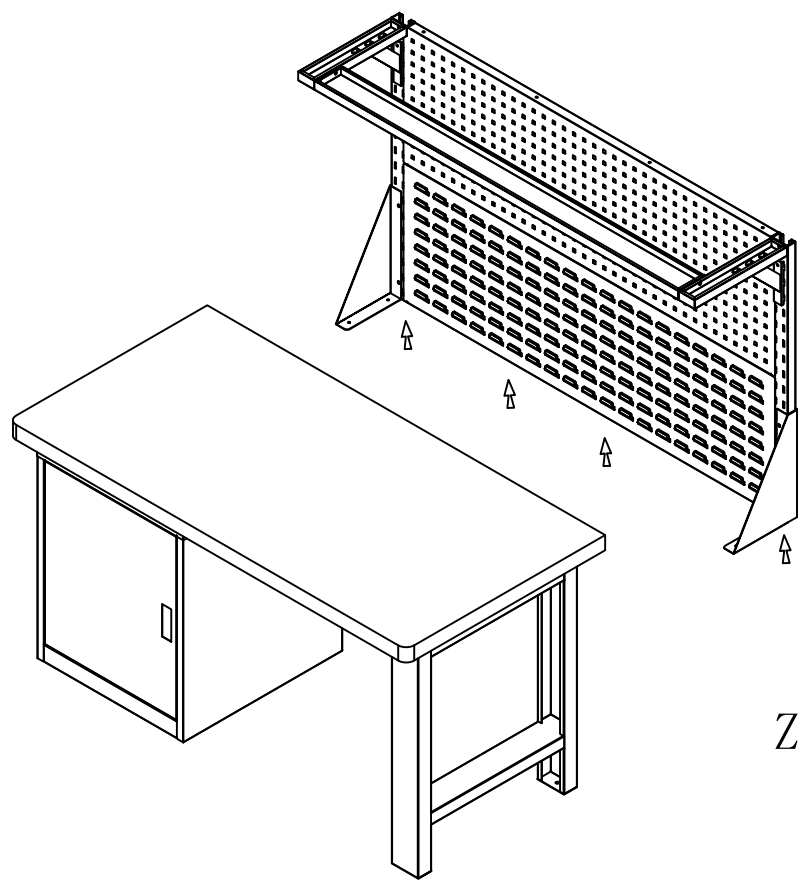


Z

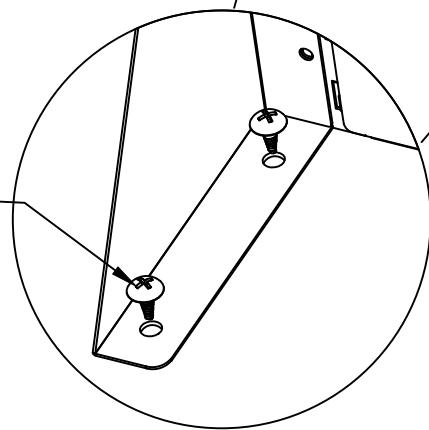


M5*15

8Pcs



Z*4



Z*4

