





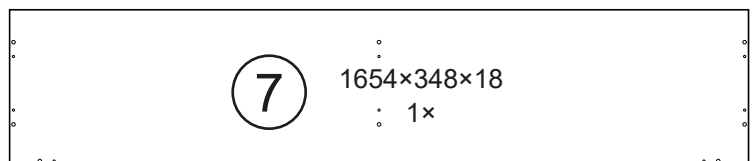
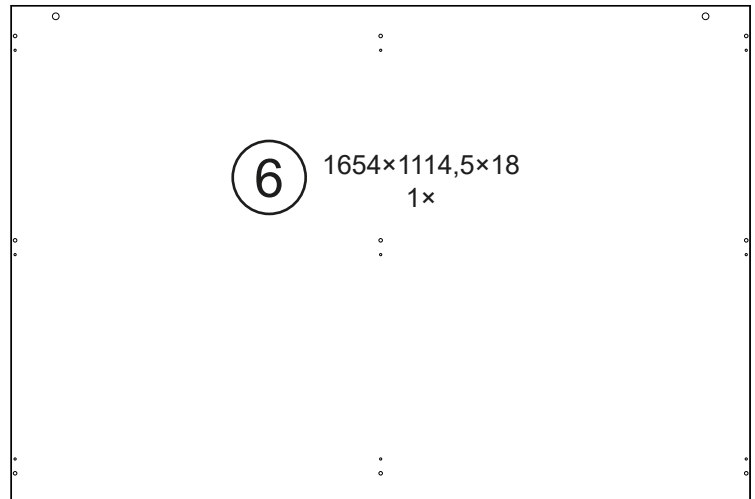
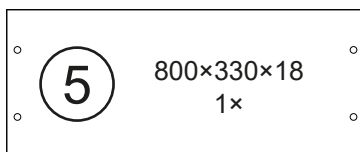
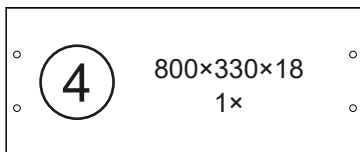
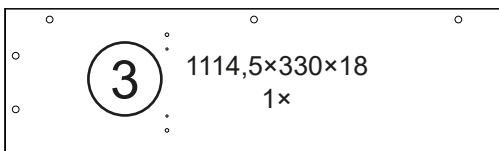
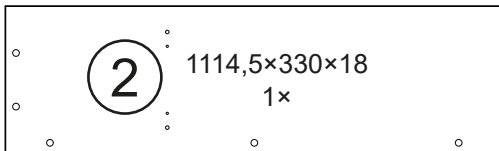
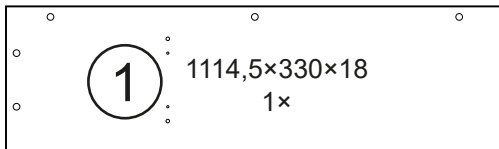
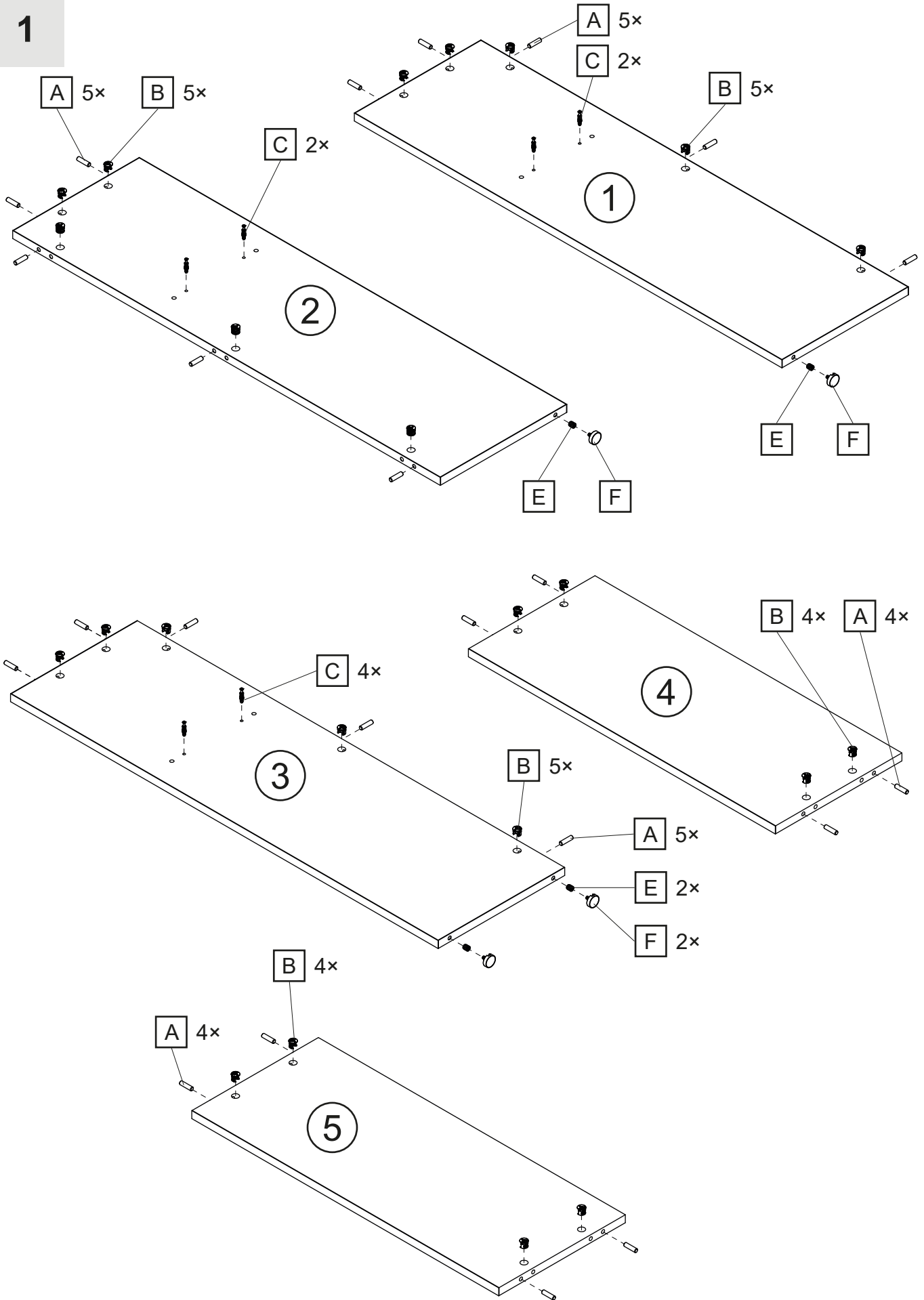


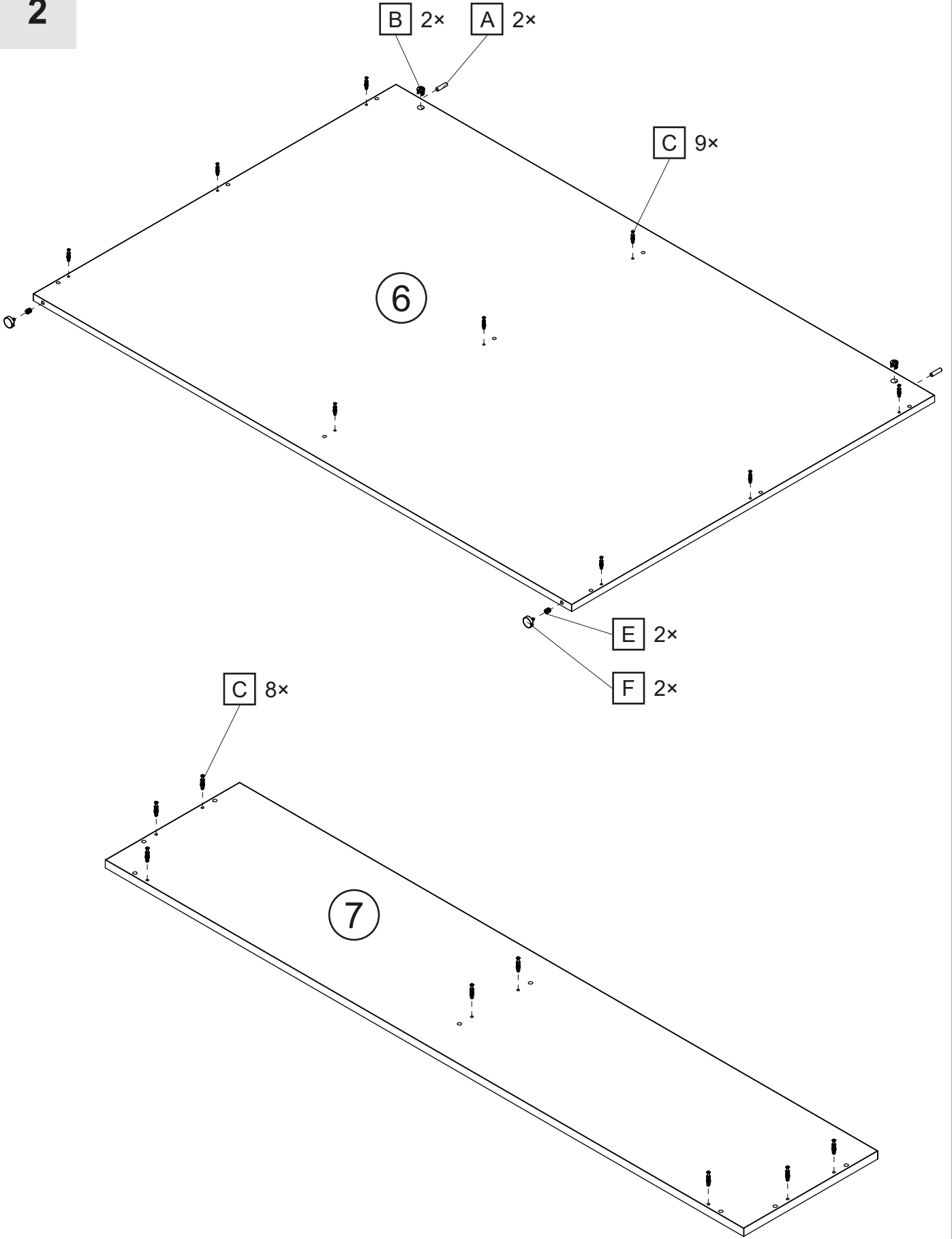
| | | | | | |
|---|---|---|---|---|---|
|  |  |  |  |  |  |
| Ø8 x 35 | | Ø8 x 24 | | | |
| A 25x | B 25x | C 25x | D 25x | E 6x | F 6x |



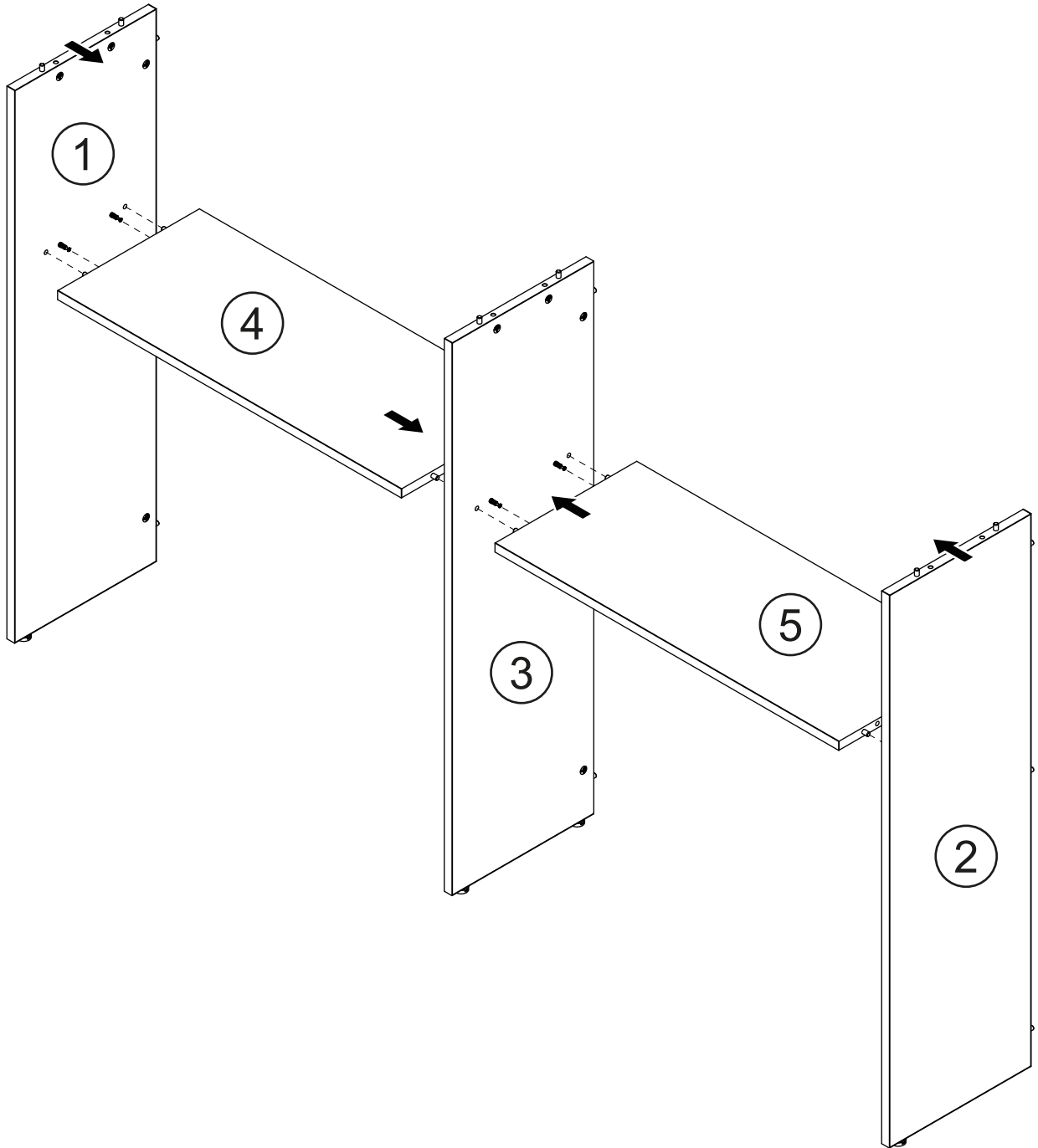
1



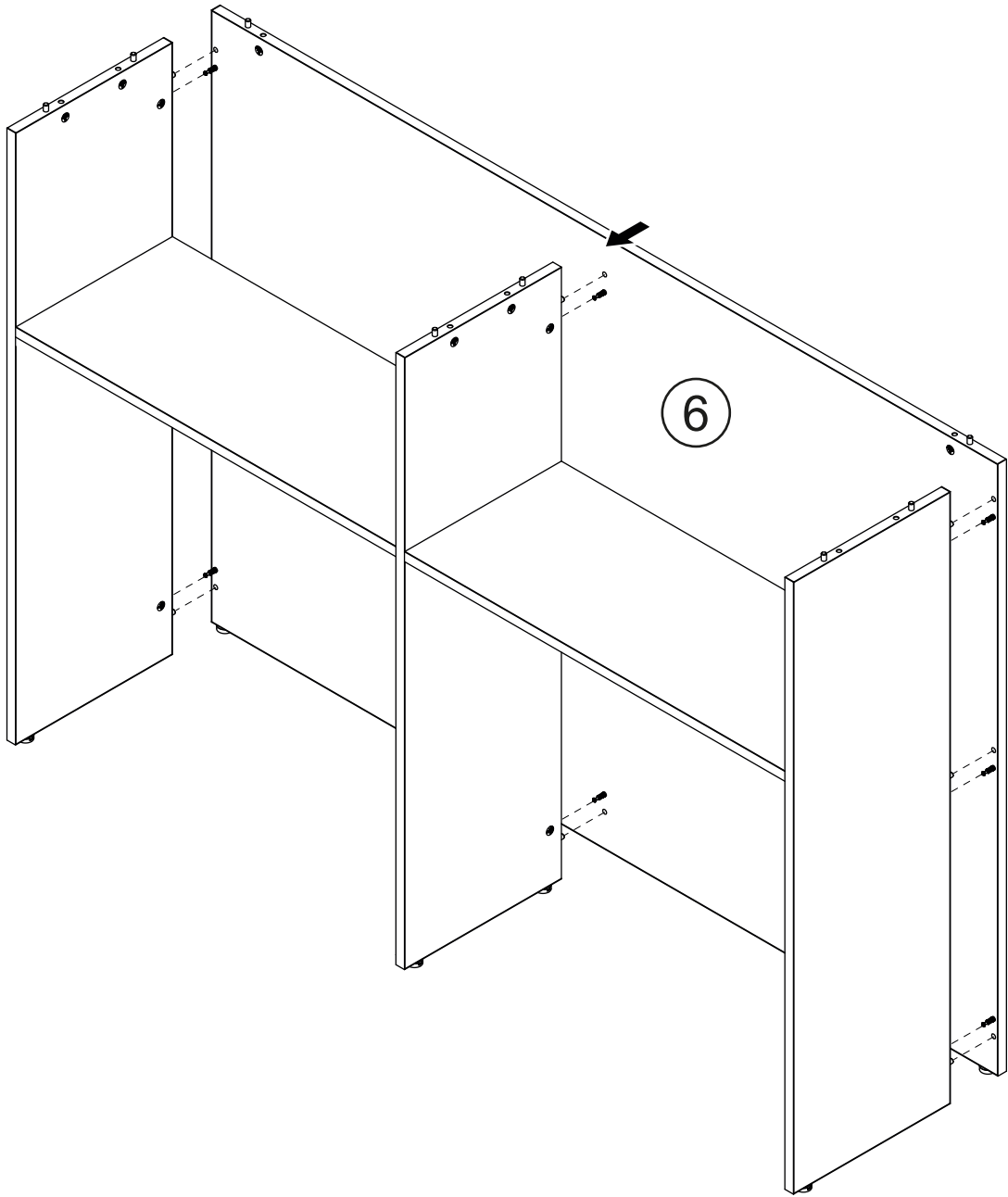
2



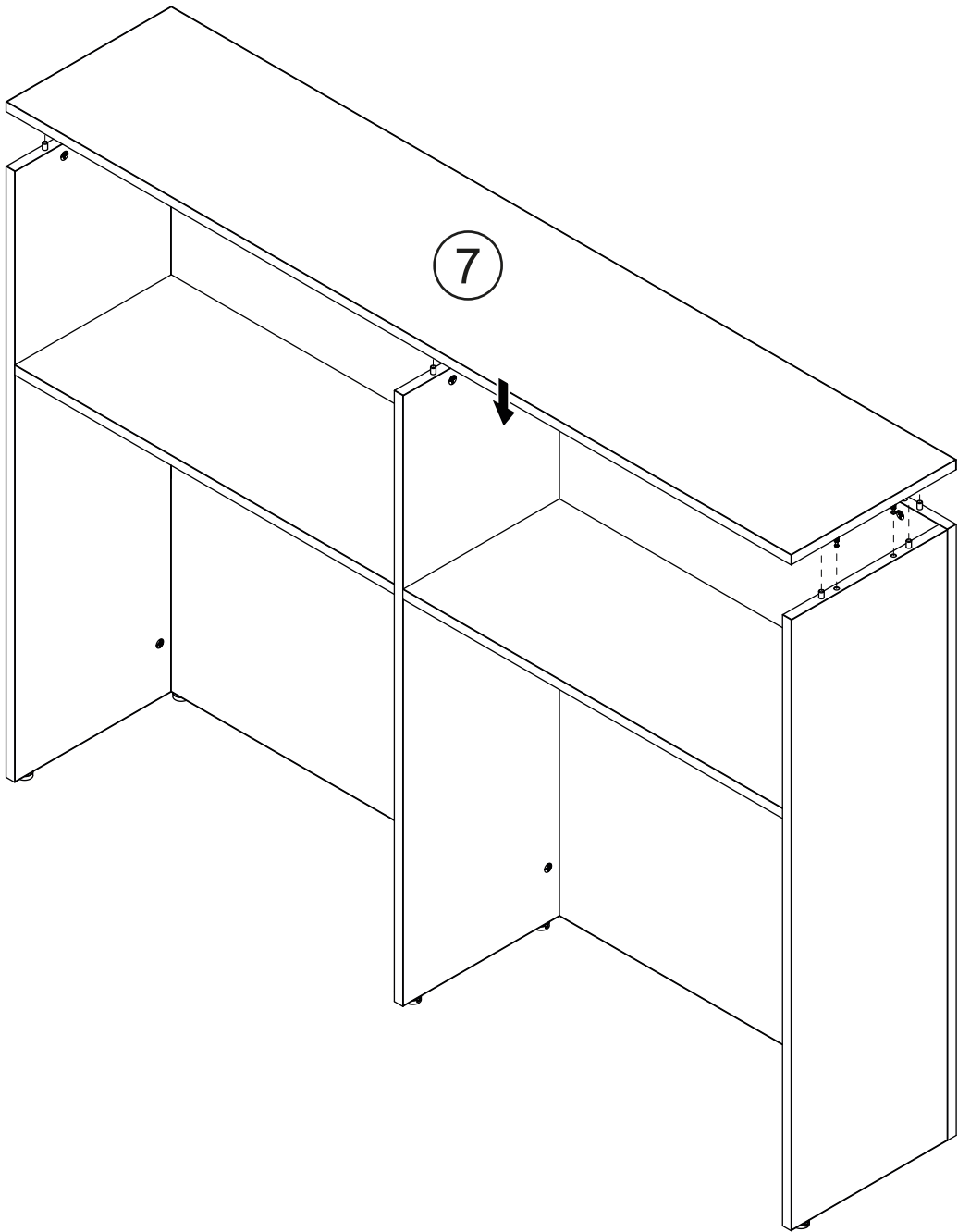
3



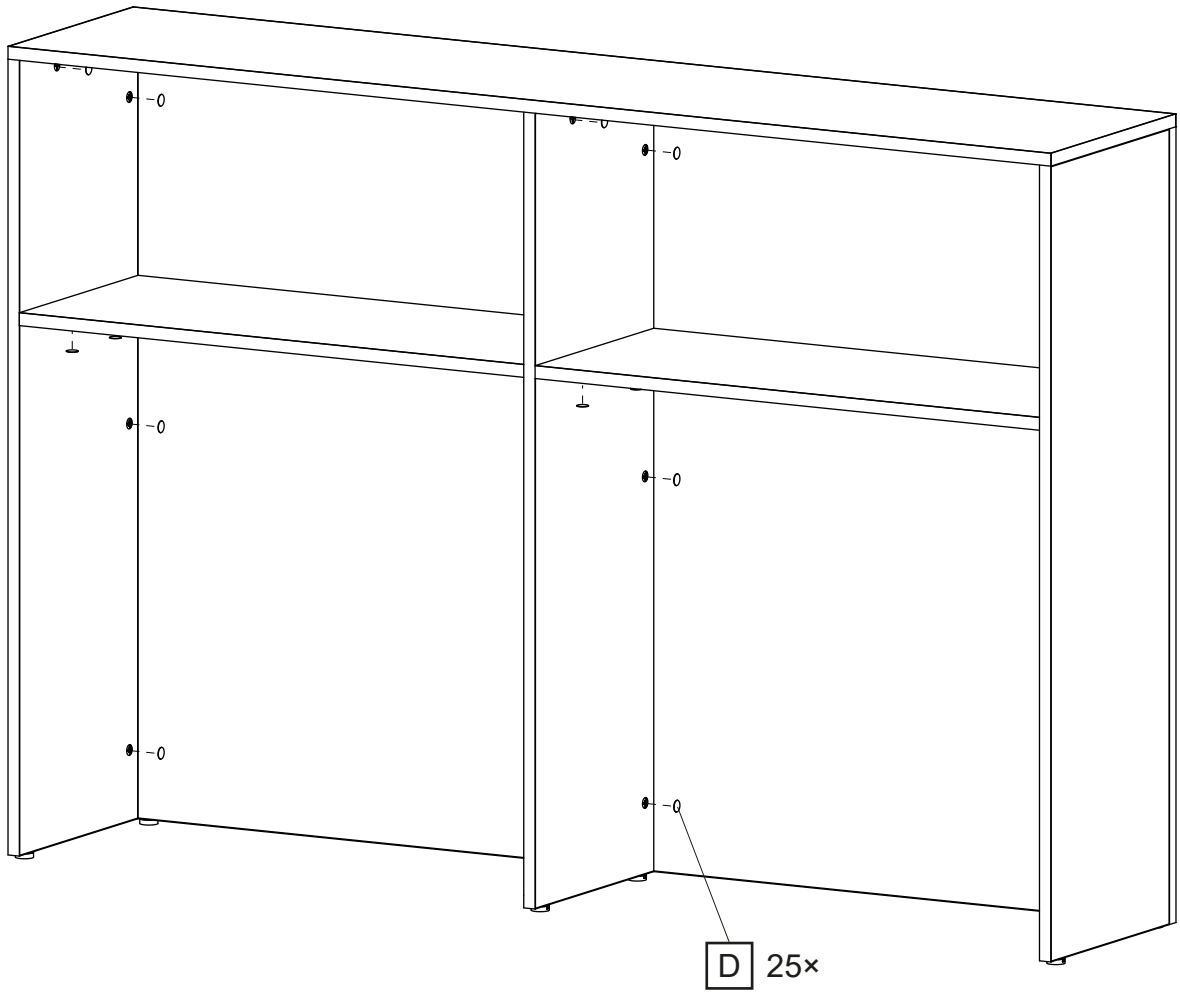
4

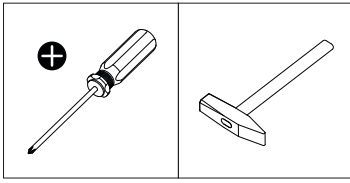
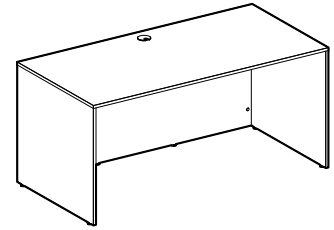









5

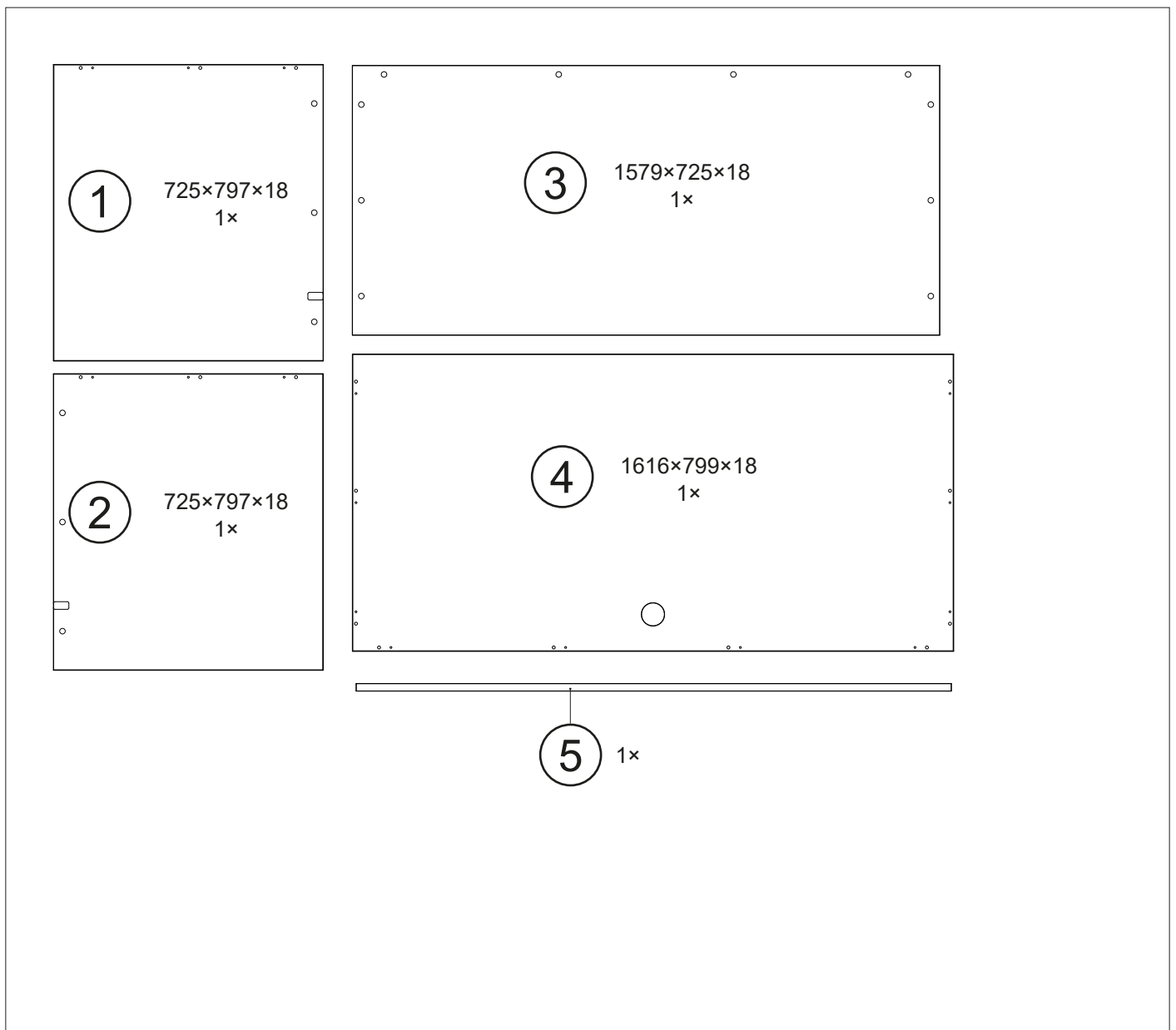


6

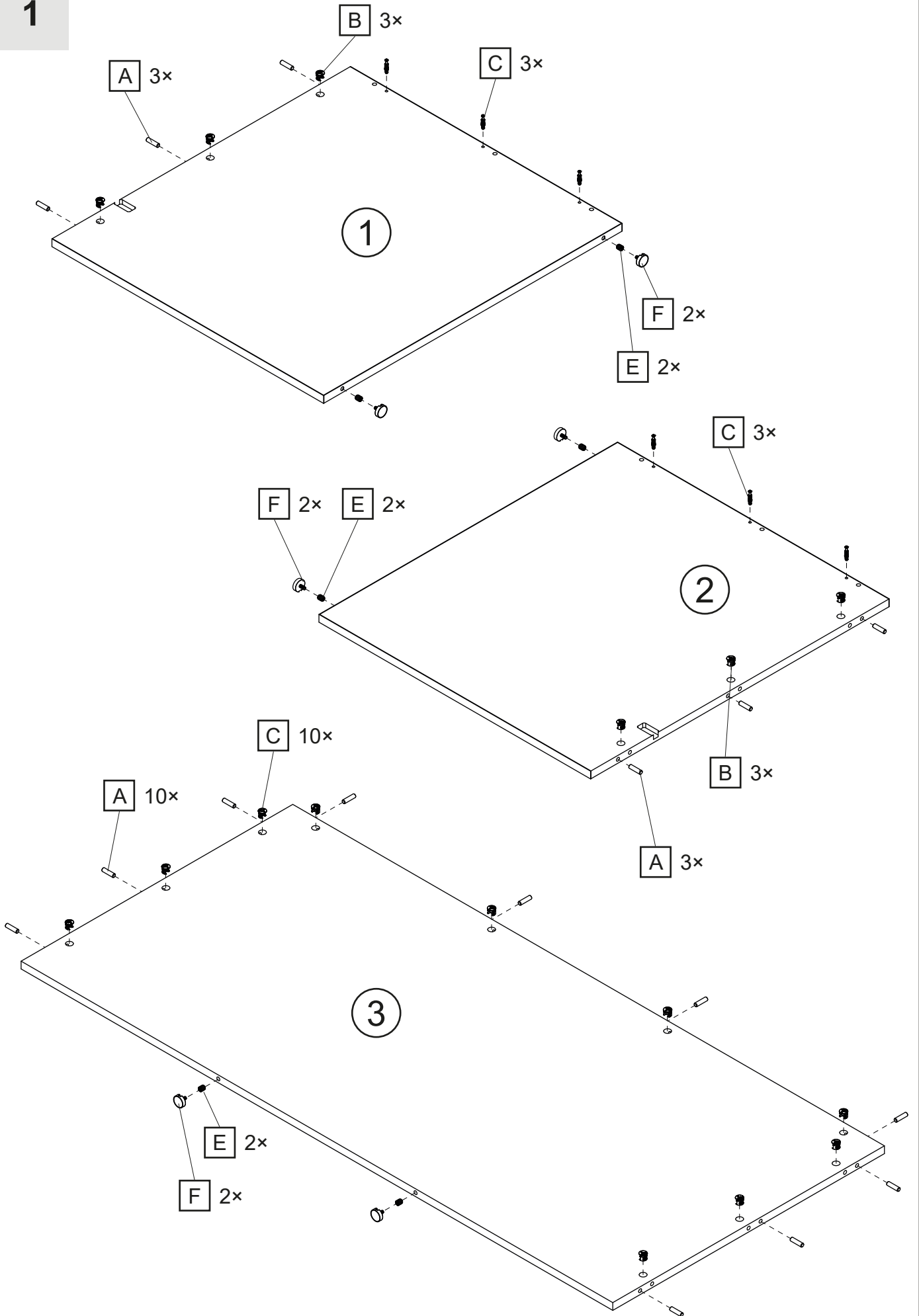




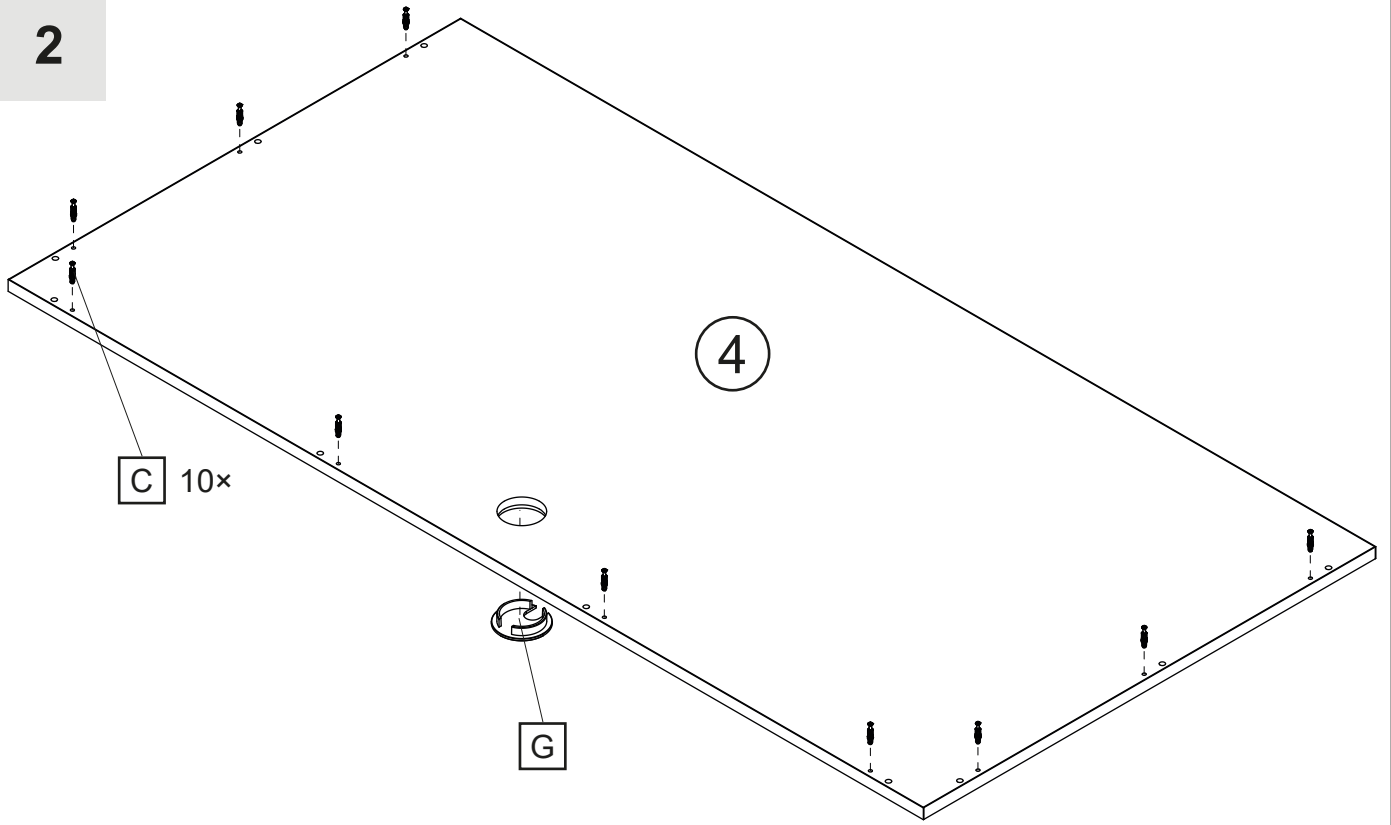
| | | | | | | |
|---|---|---|---|---|---|---|
|  |  |  |  |  |  |  |
| Ø8 x 35 | | Ø8 x 24 | | | | |
| A 16x | B 16x | C 16x | D 16x | E 6x | F 6x | G 1x |



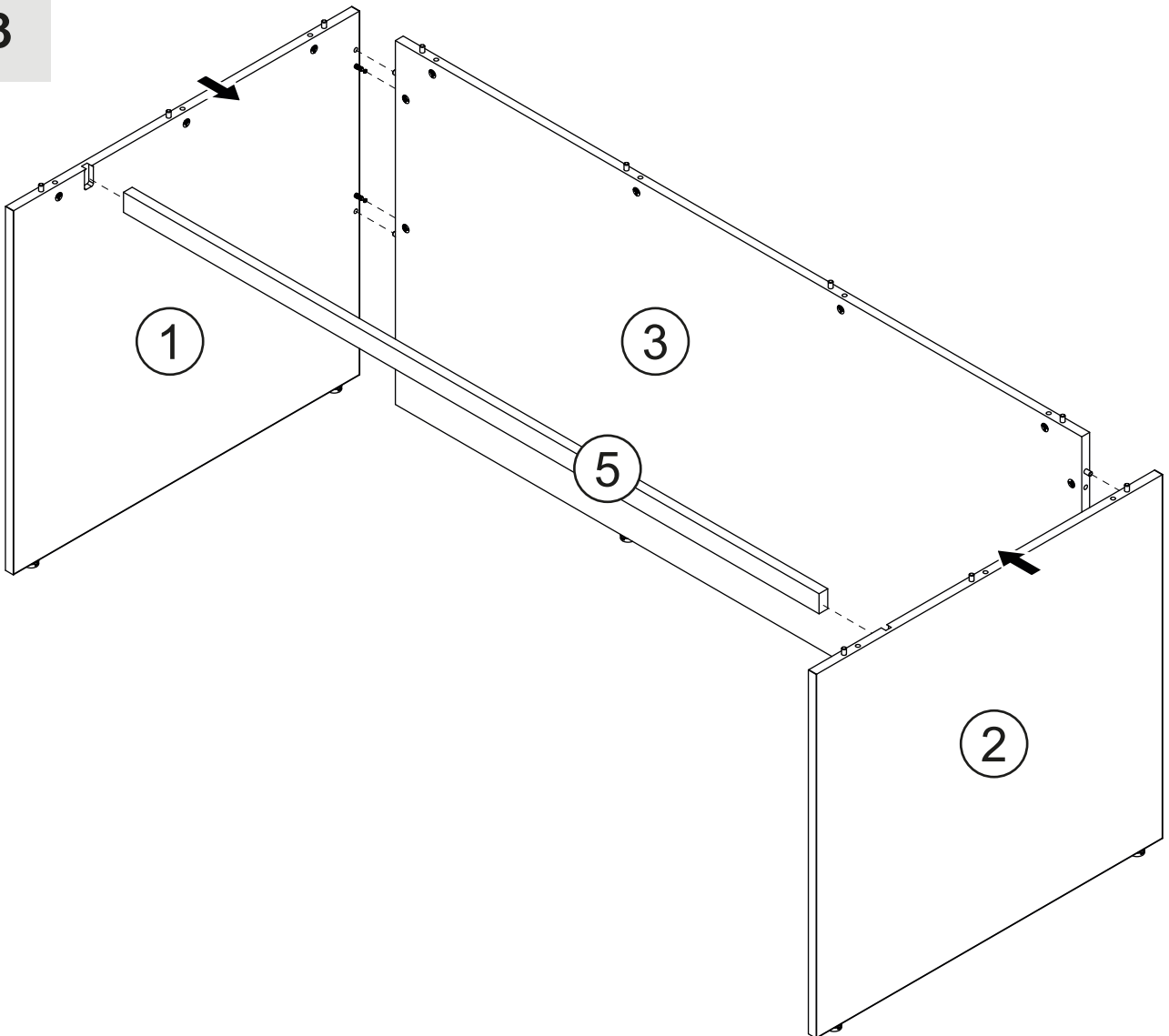
1



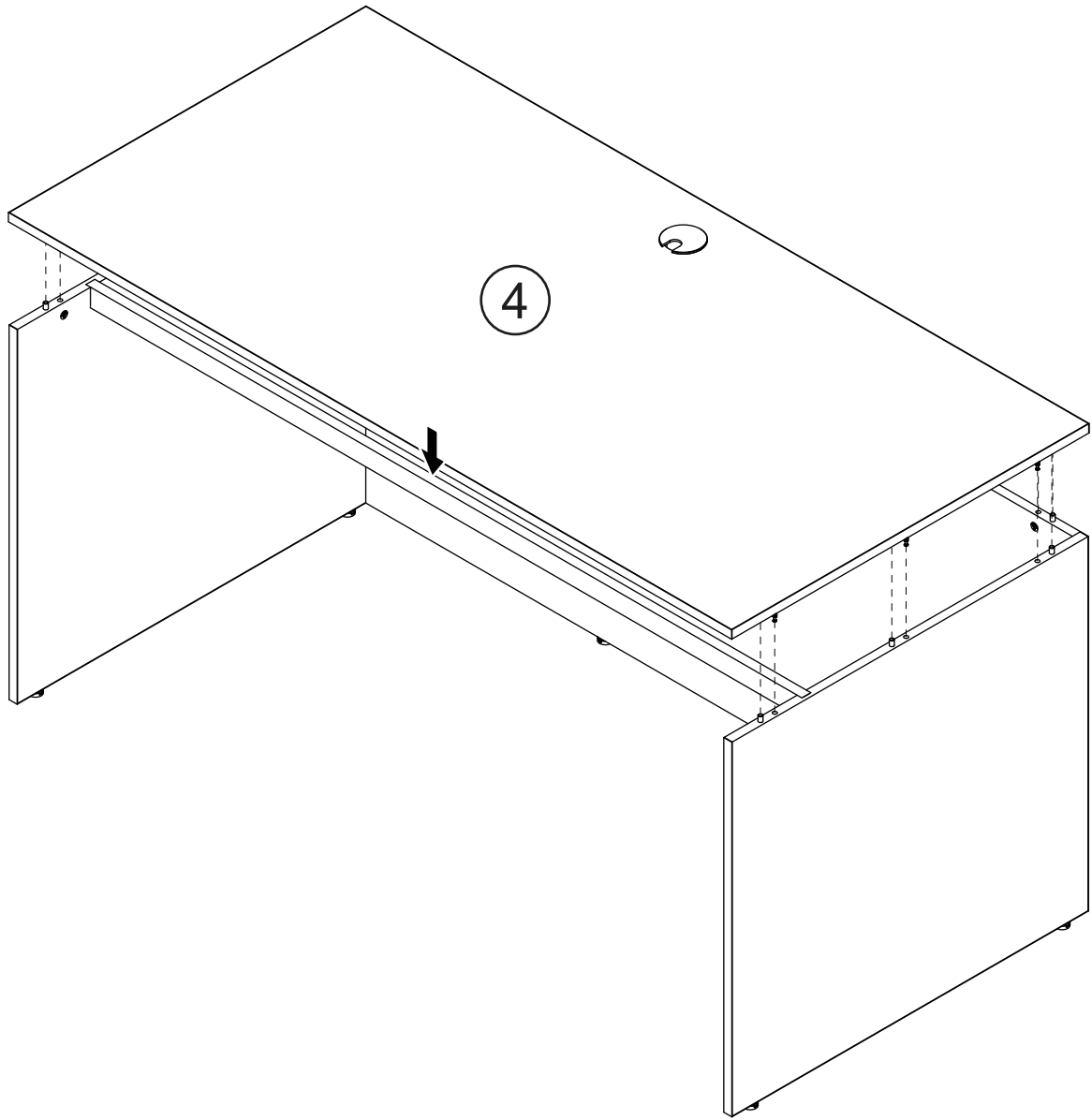
2



3



4



5

