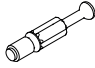
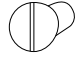




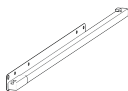

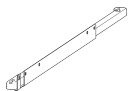

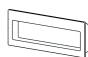

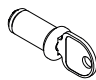
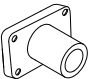

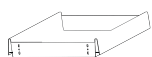
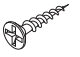
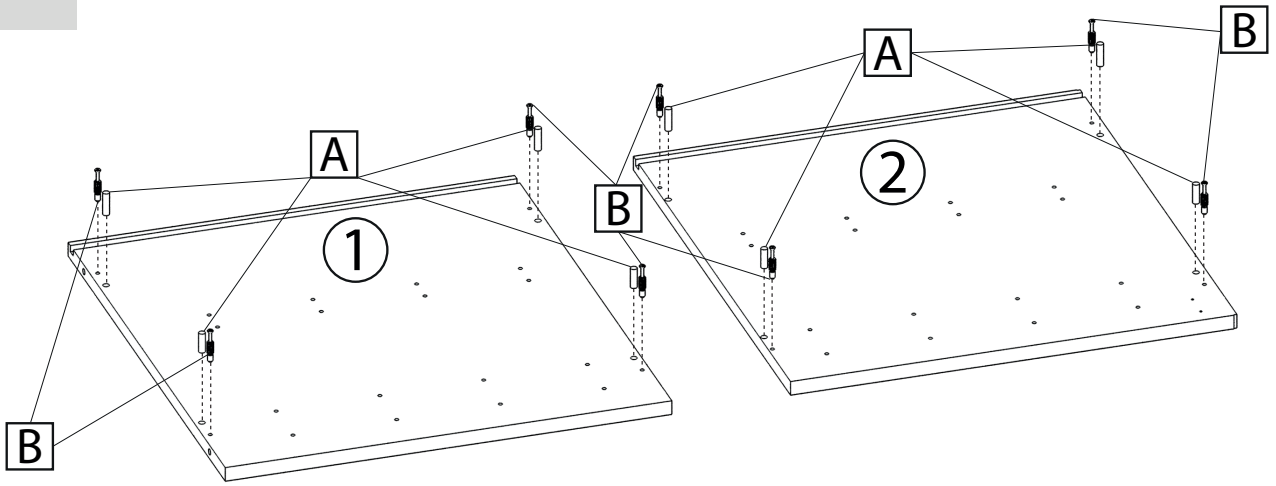
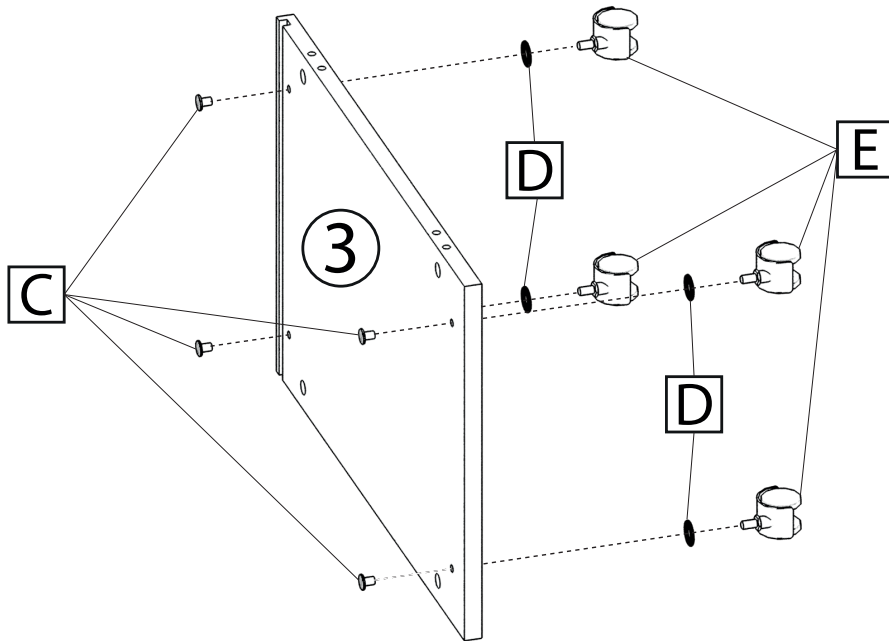
 Ø8 x 35						
A 23x	B 8x	C 4x	D 4x	E 4x	F 8x	x 8x
	 Ø3 x 13					
G 4x	H 24x	I 4x	J 1x	K 4x	L 1x	Z 1x
	 Ø3 x 12		 Ø3,5 x 16			
M 1x	N 16x	Q 4x	U 4x			

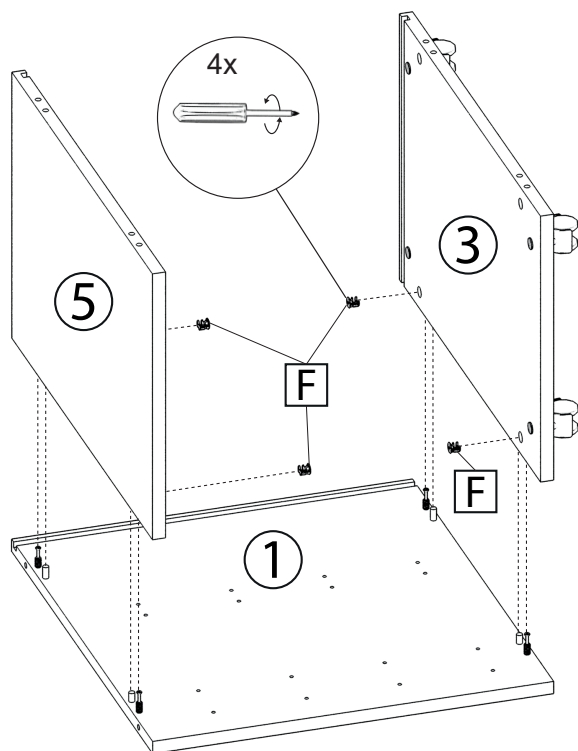
1



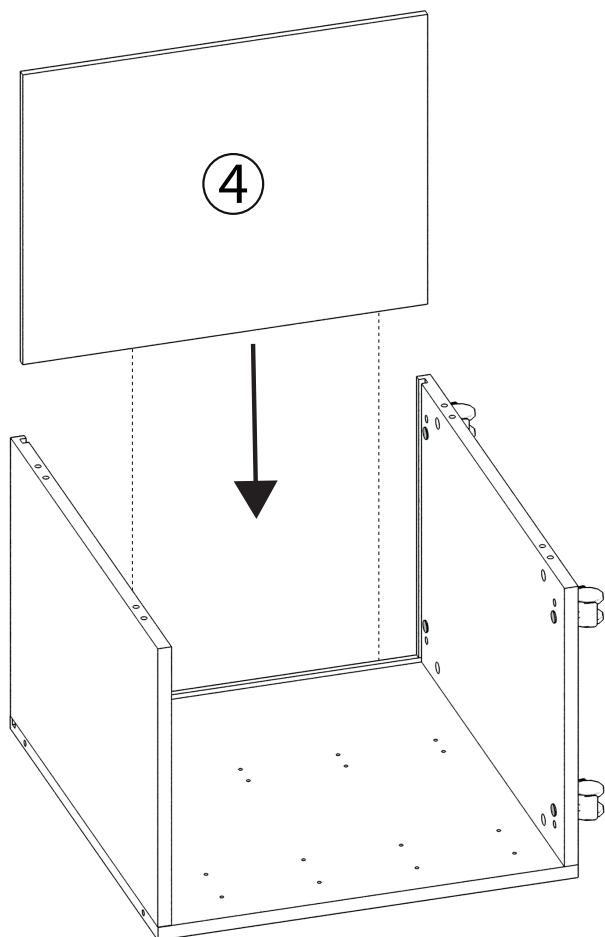
2



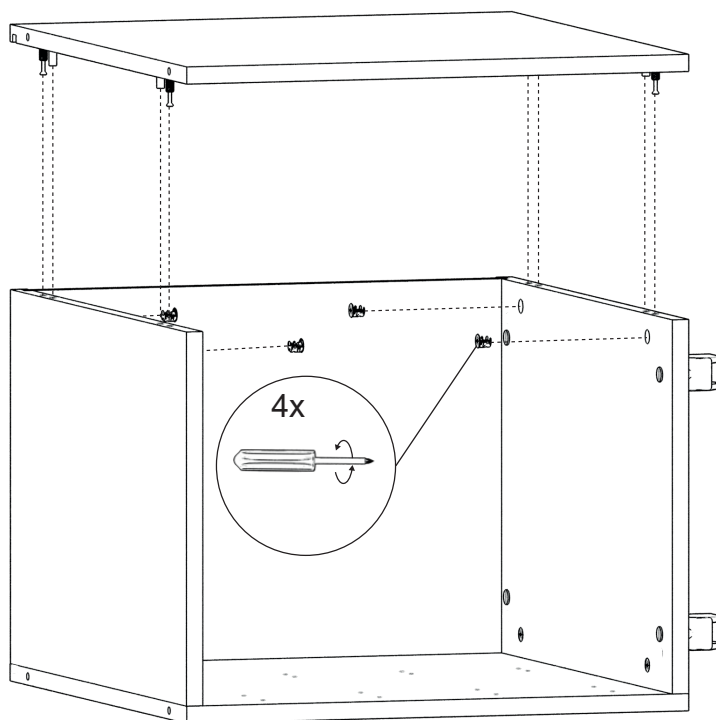
3



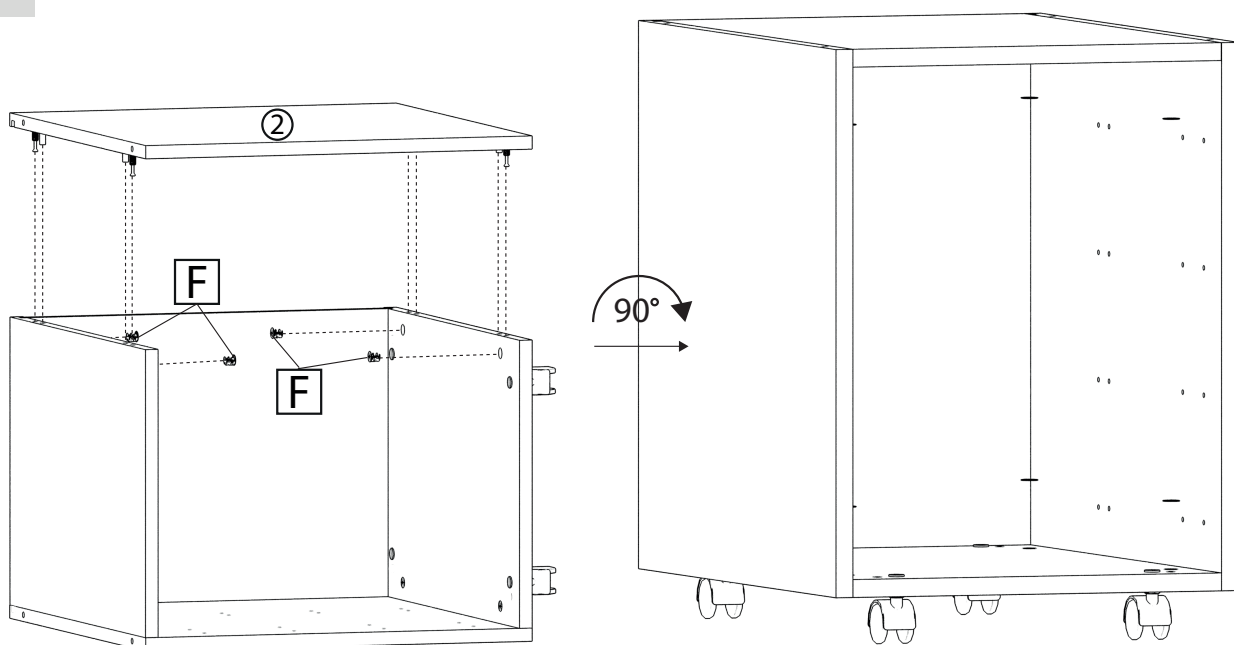
4



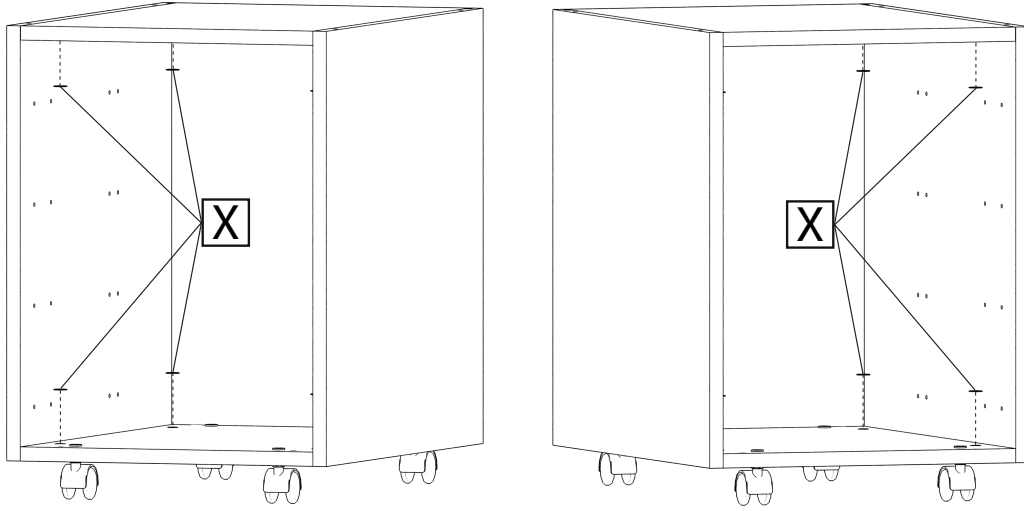
5



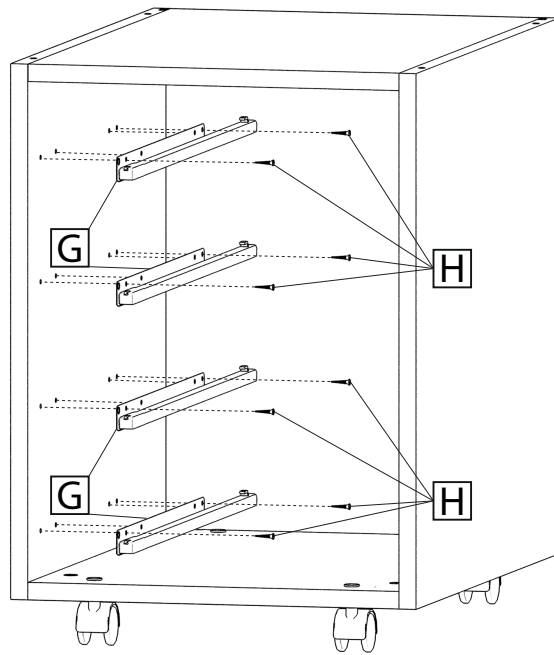
6



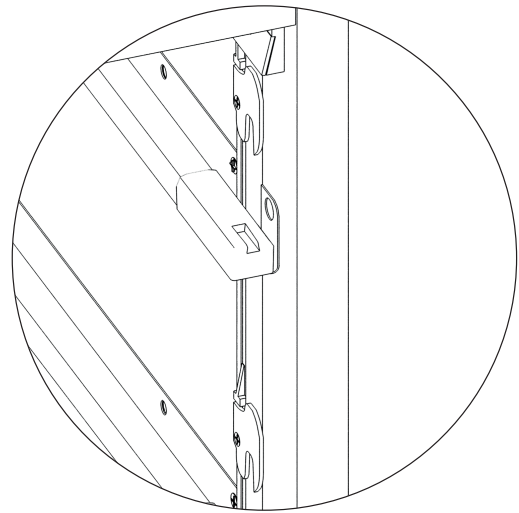
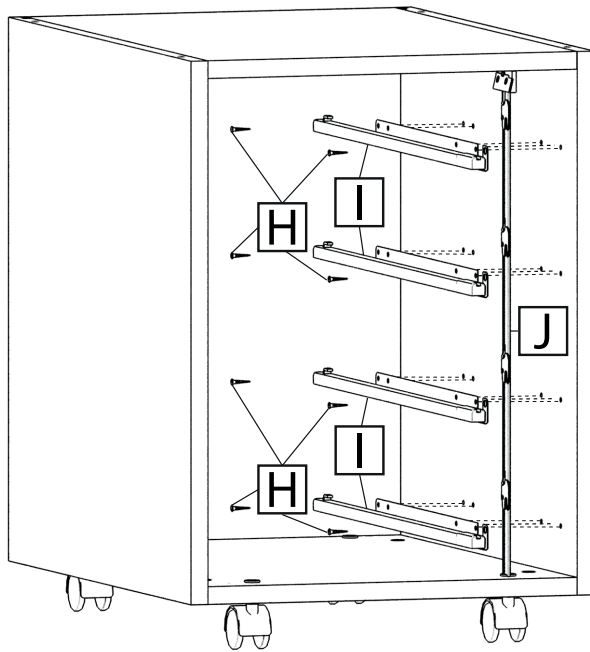
7



8

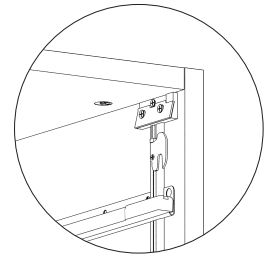
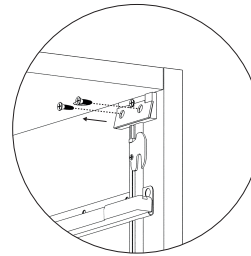


9



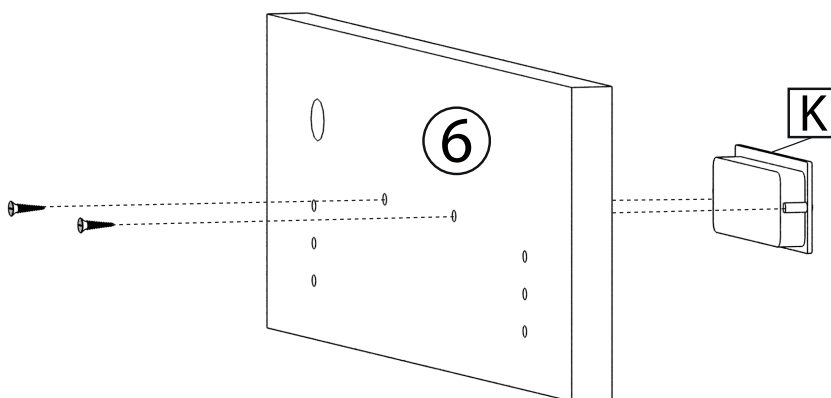
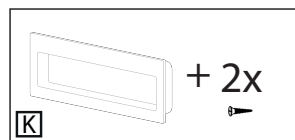
! UNLOCK

! LOCK

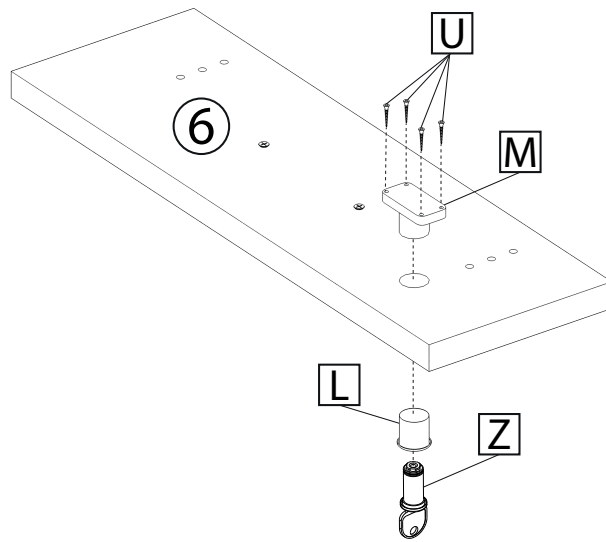


10

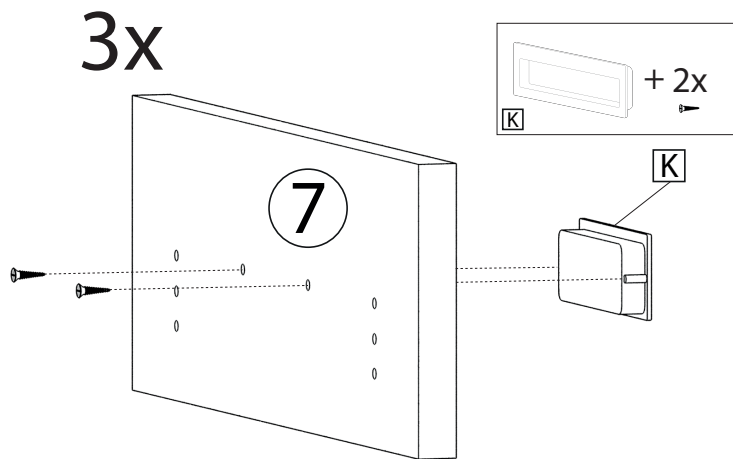
1x



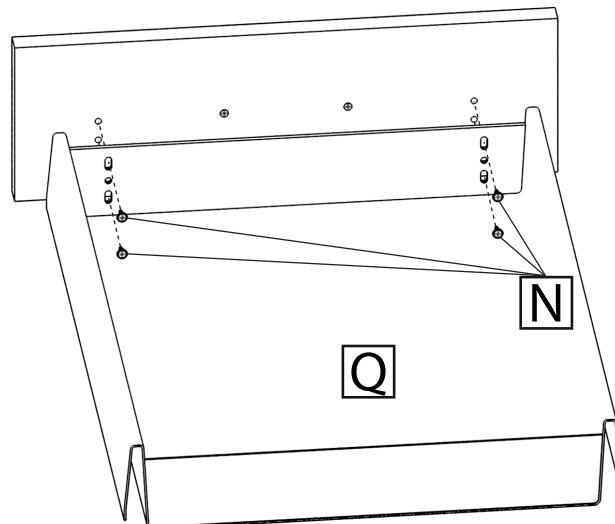
11



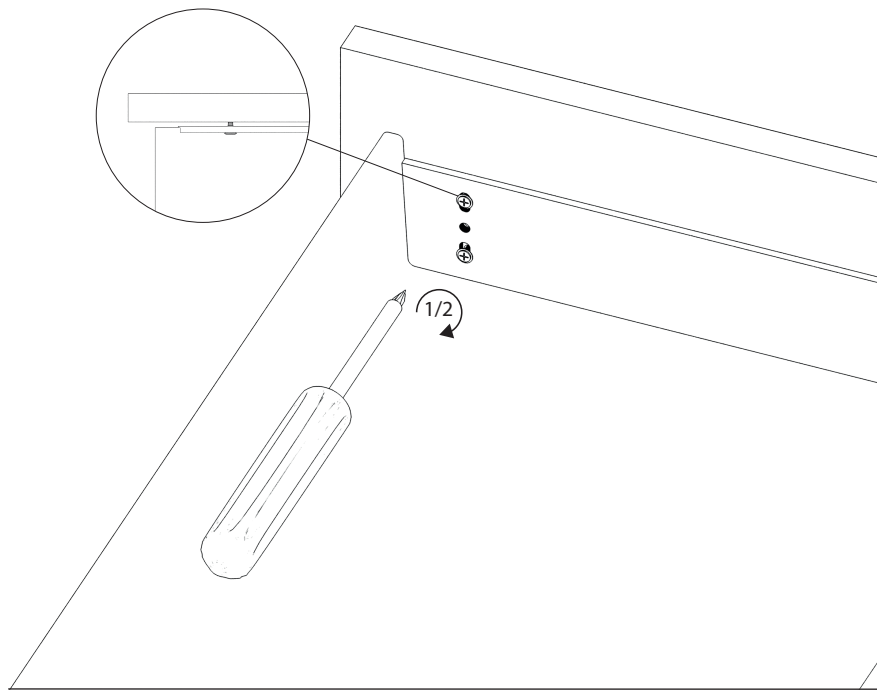
12



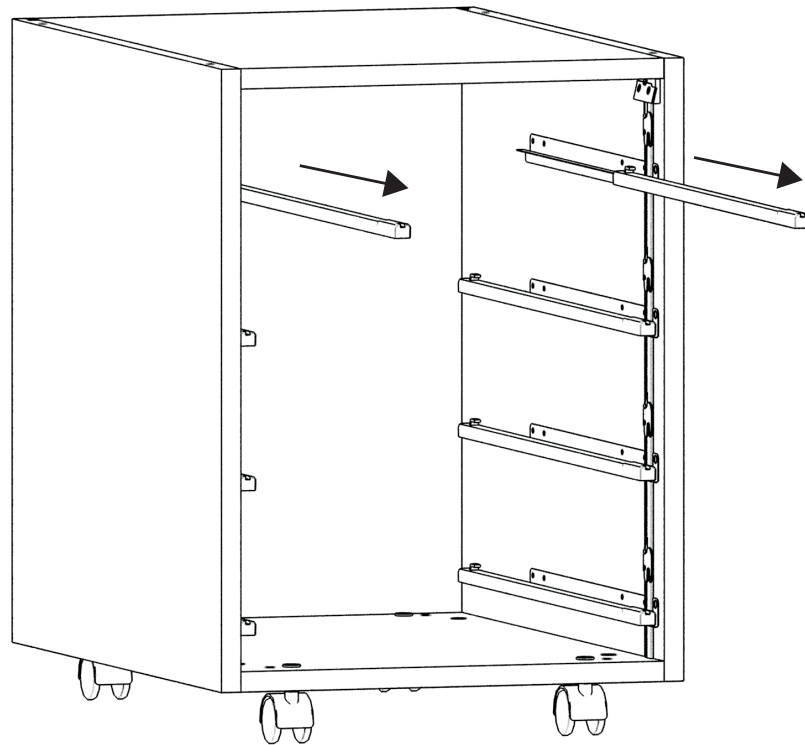
13

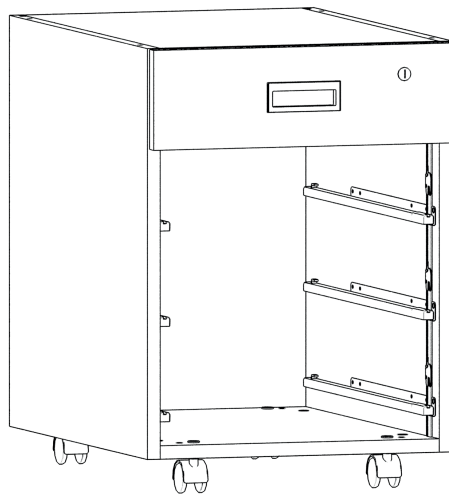
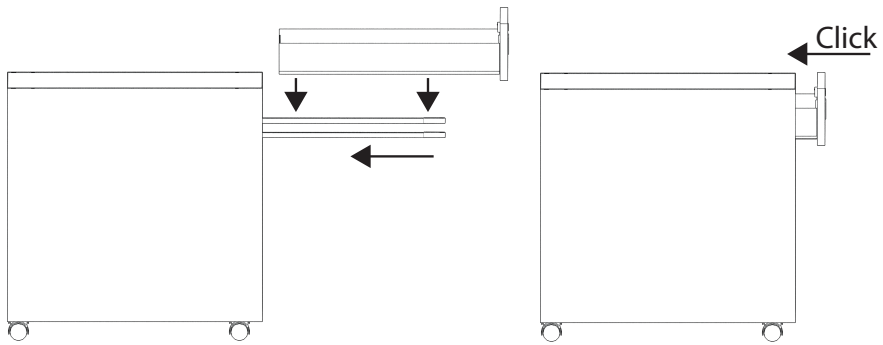
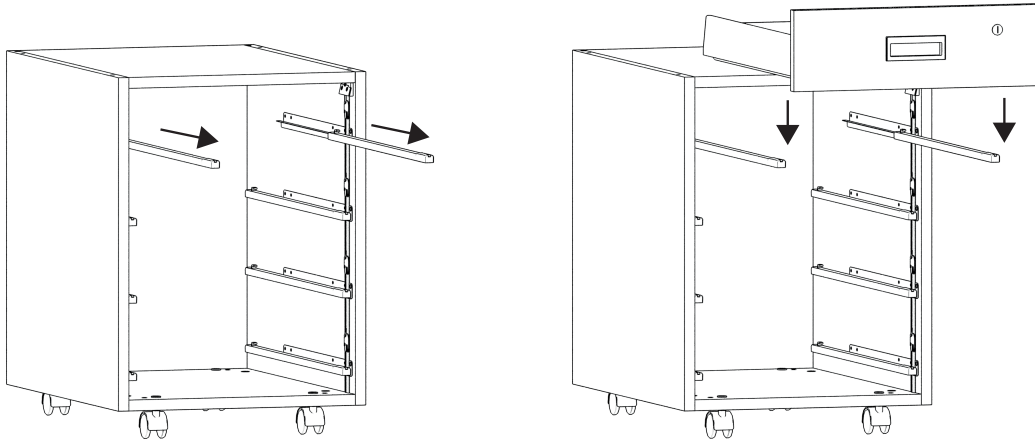


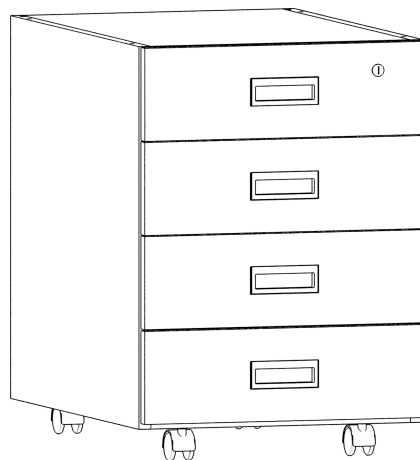
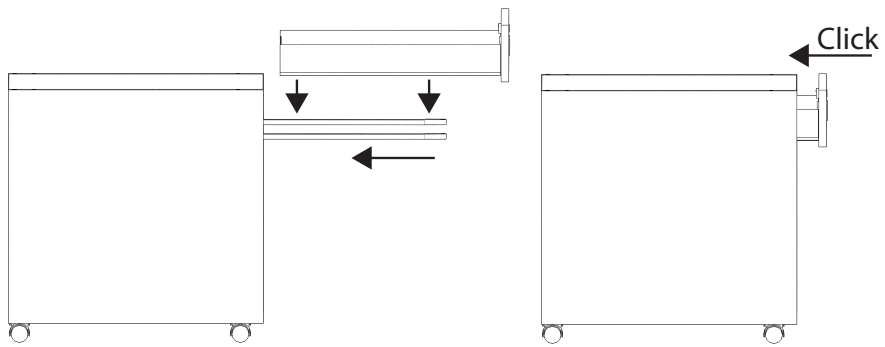
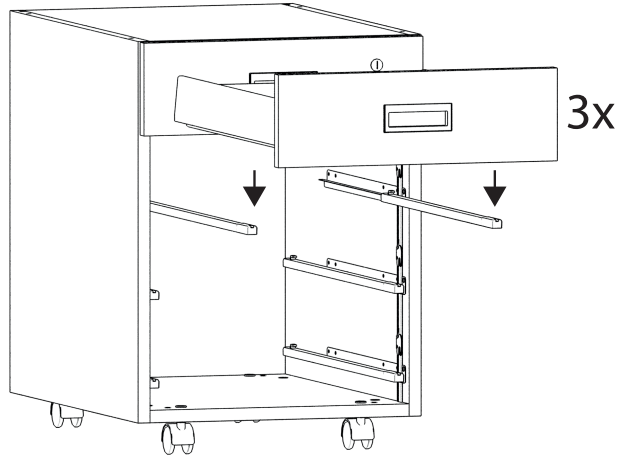
12



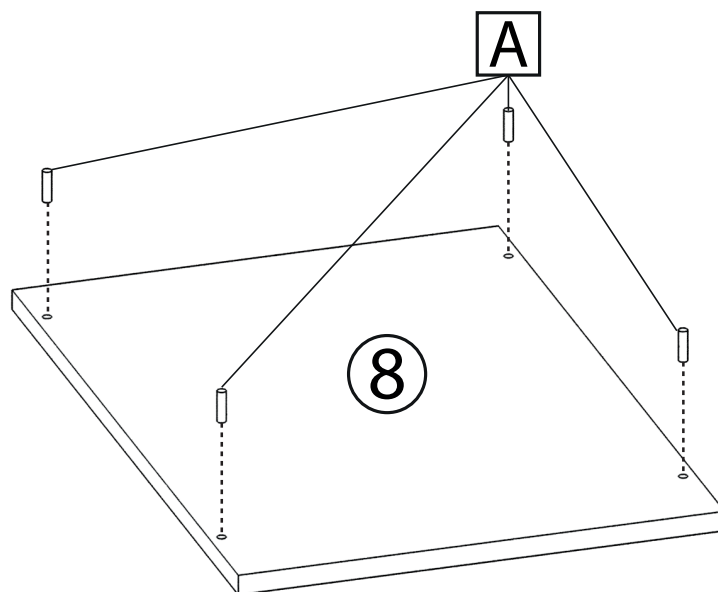
13







15



16

