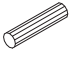



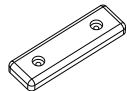

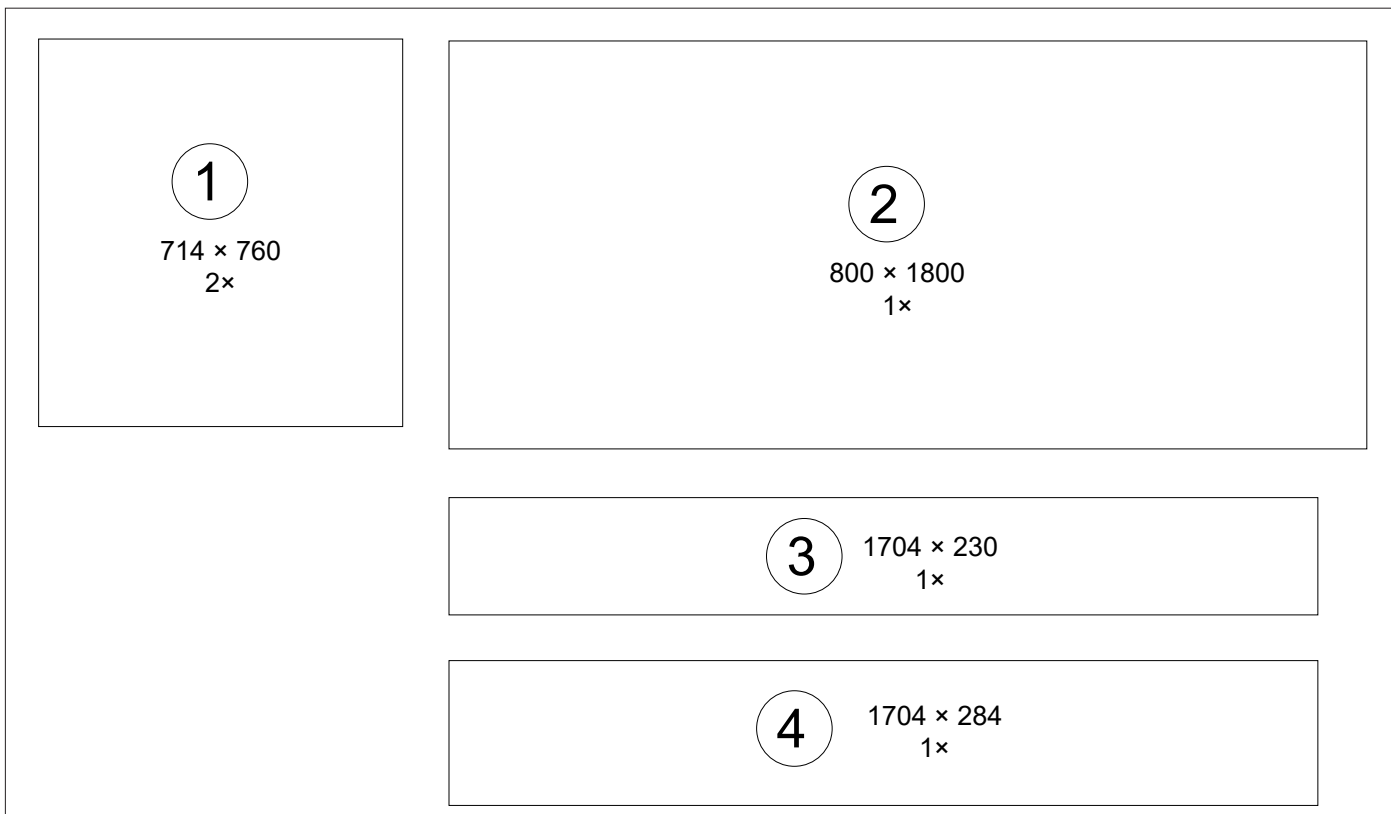
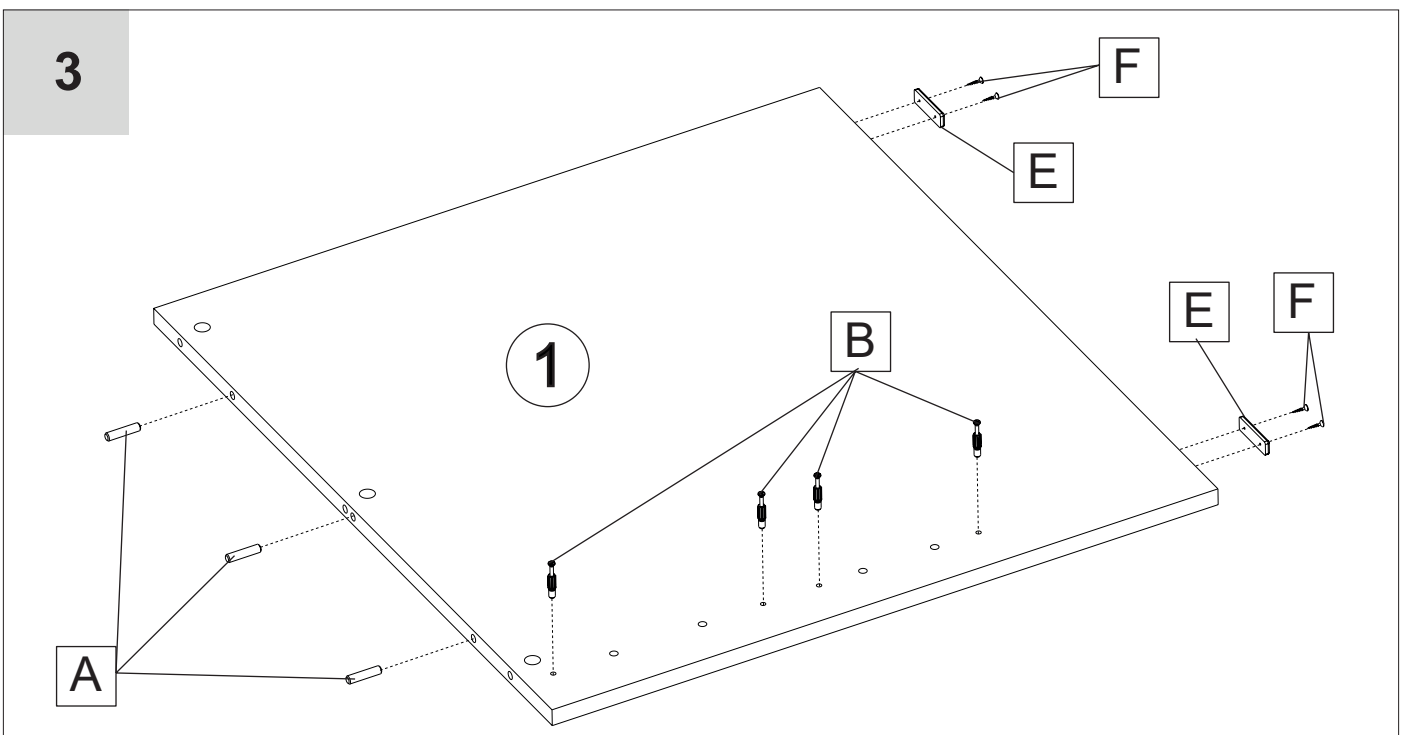
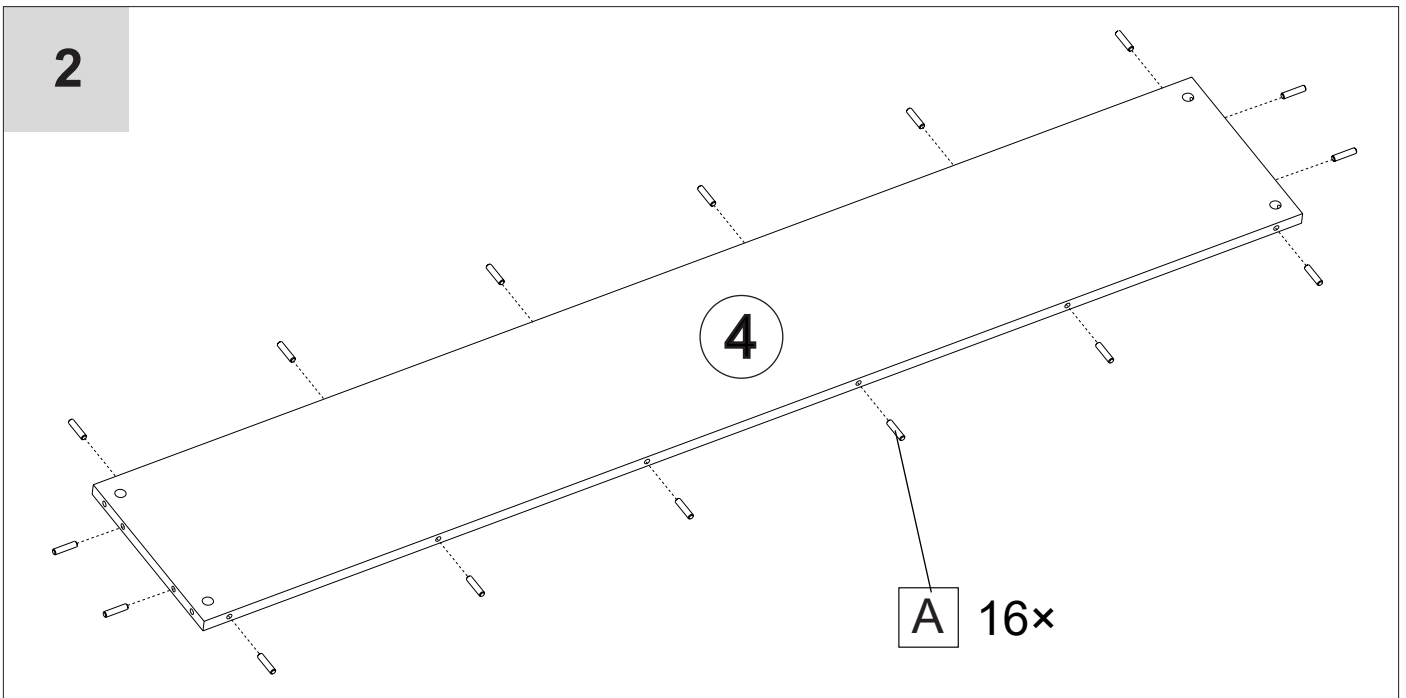
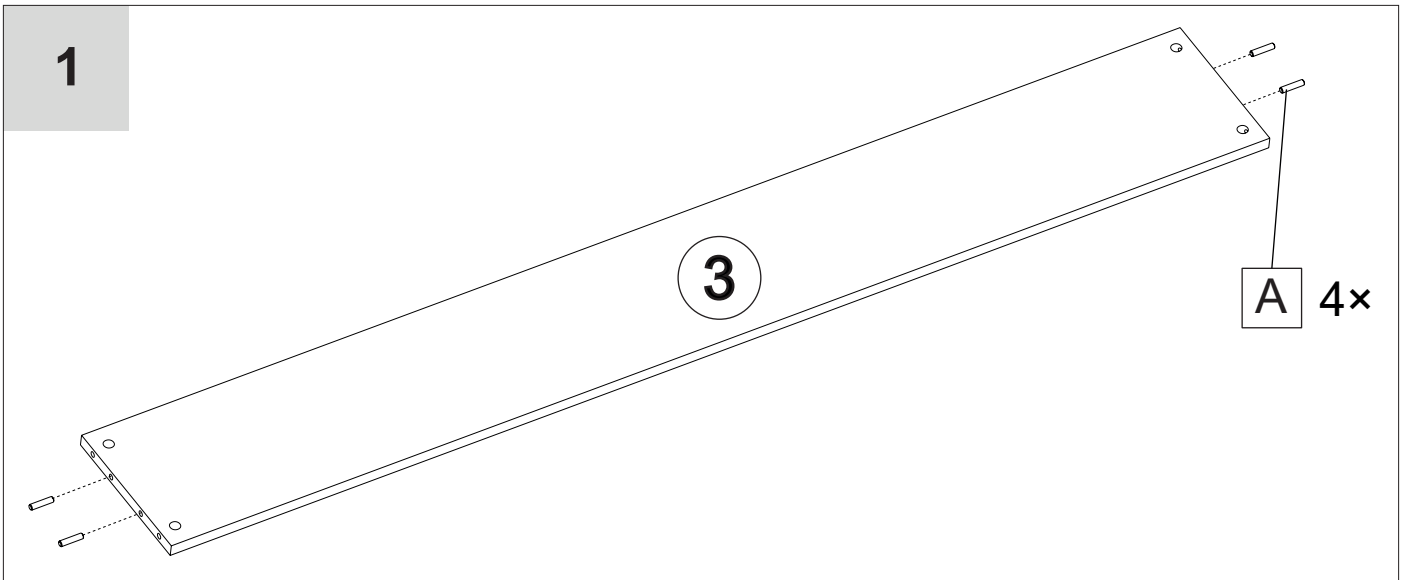
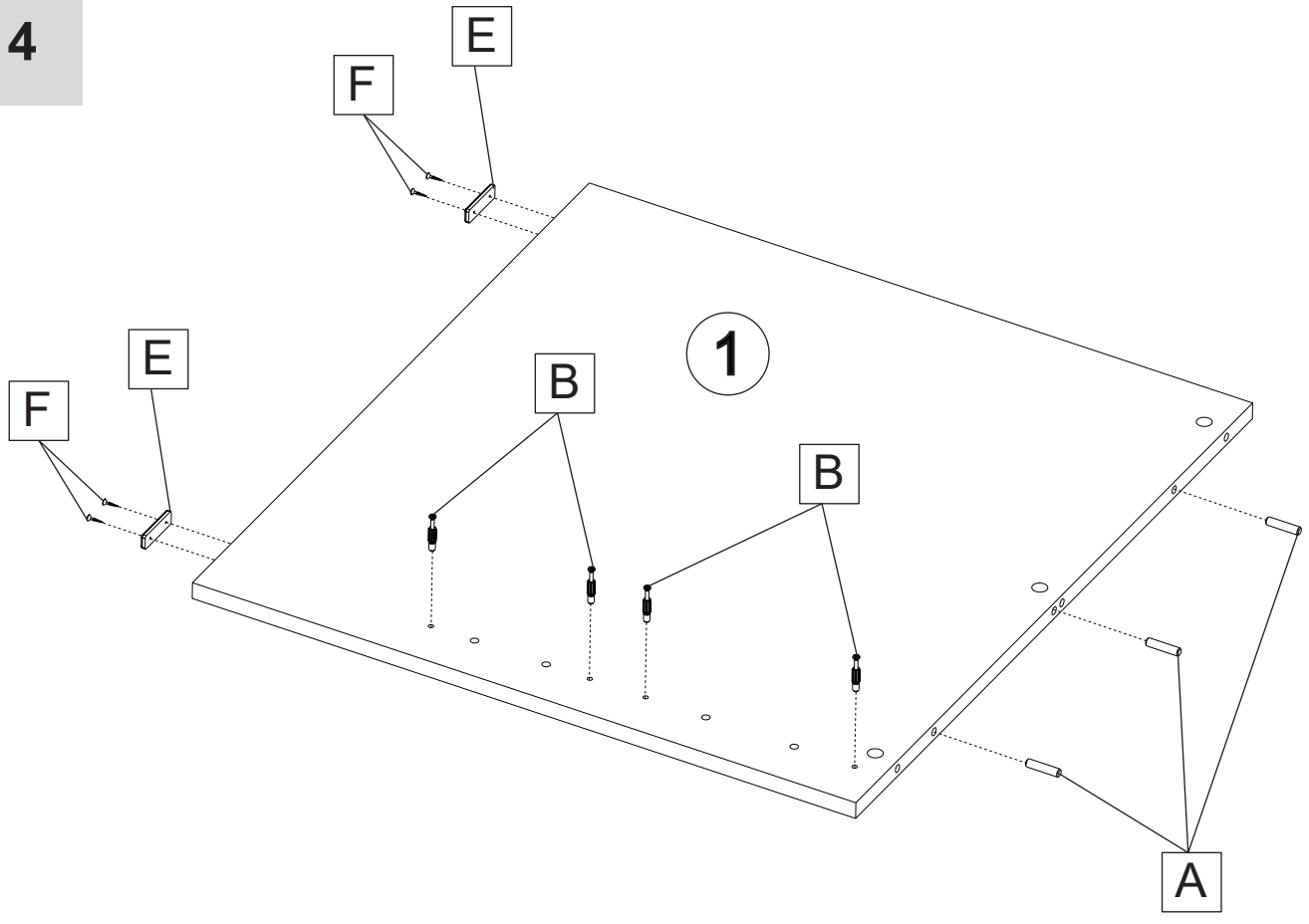


| | | | | | |
|--|--|--|--|--|---|
|  |  |  |  |  |  |
| Ø8 x 35 | | | | | Ø3,5 x 16 |
| A 26x | B 14x | C 14x | D 14x | E 2x | F 8x |

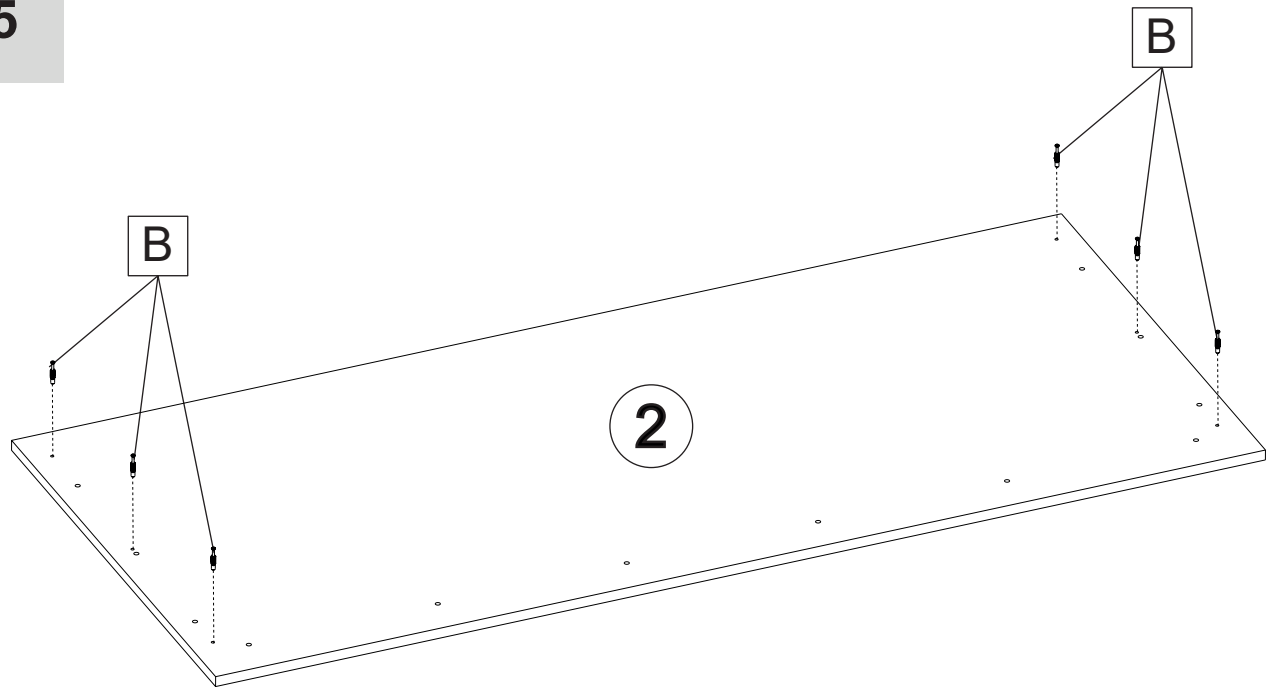




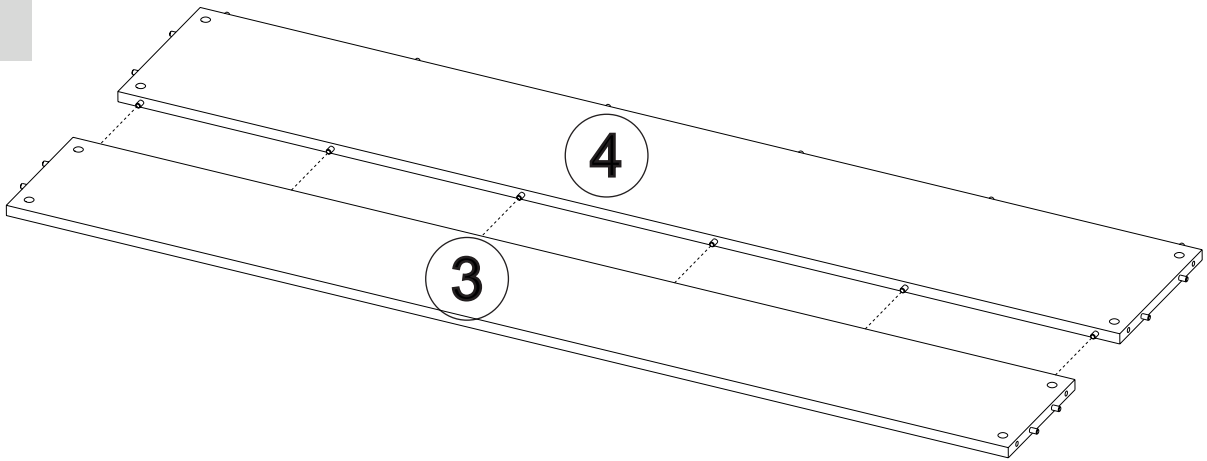
4



5



6



7

