


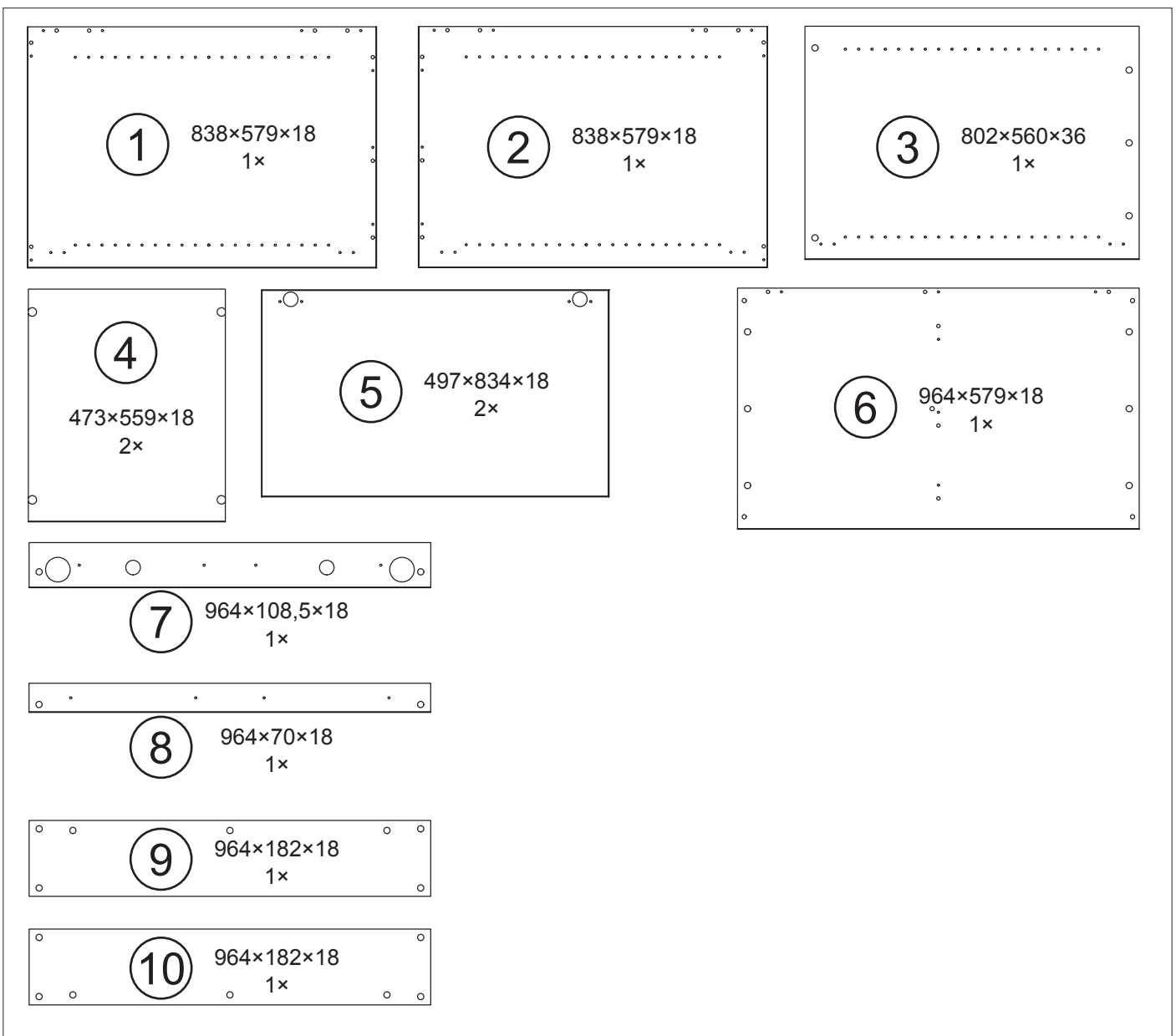
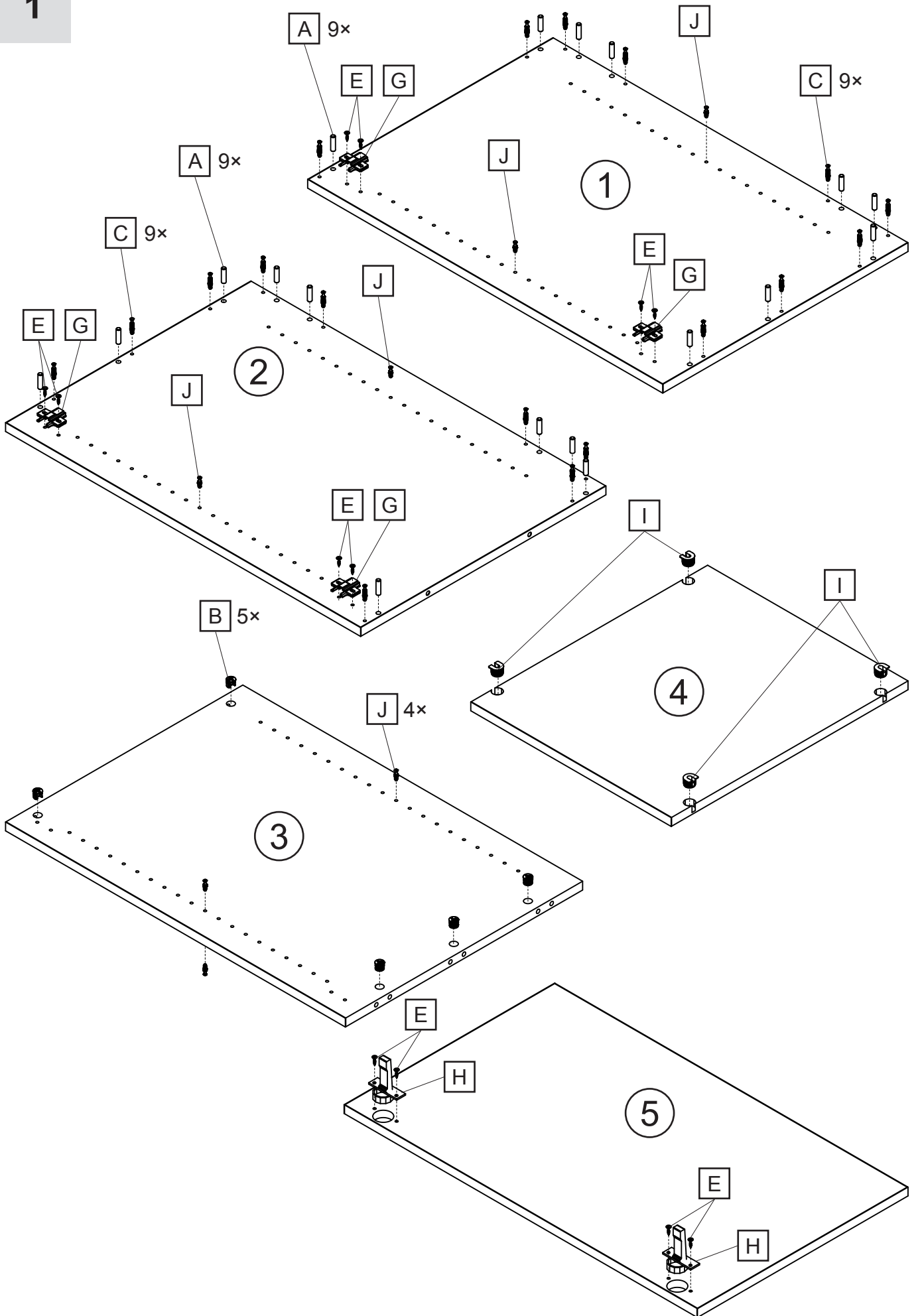
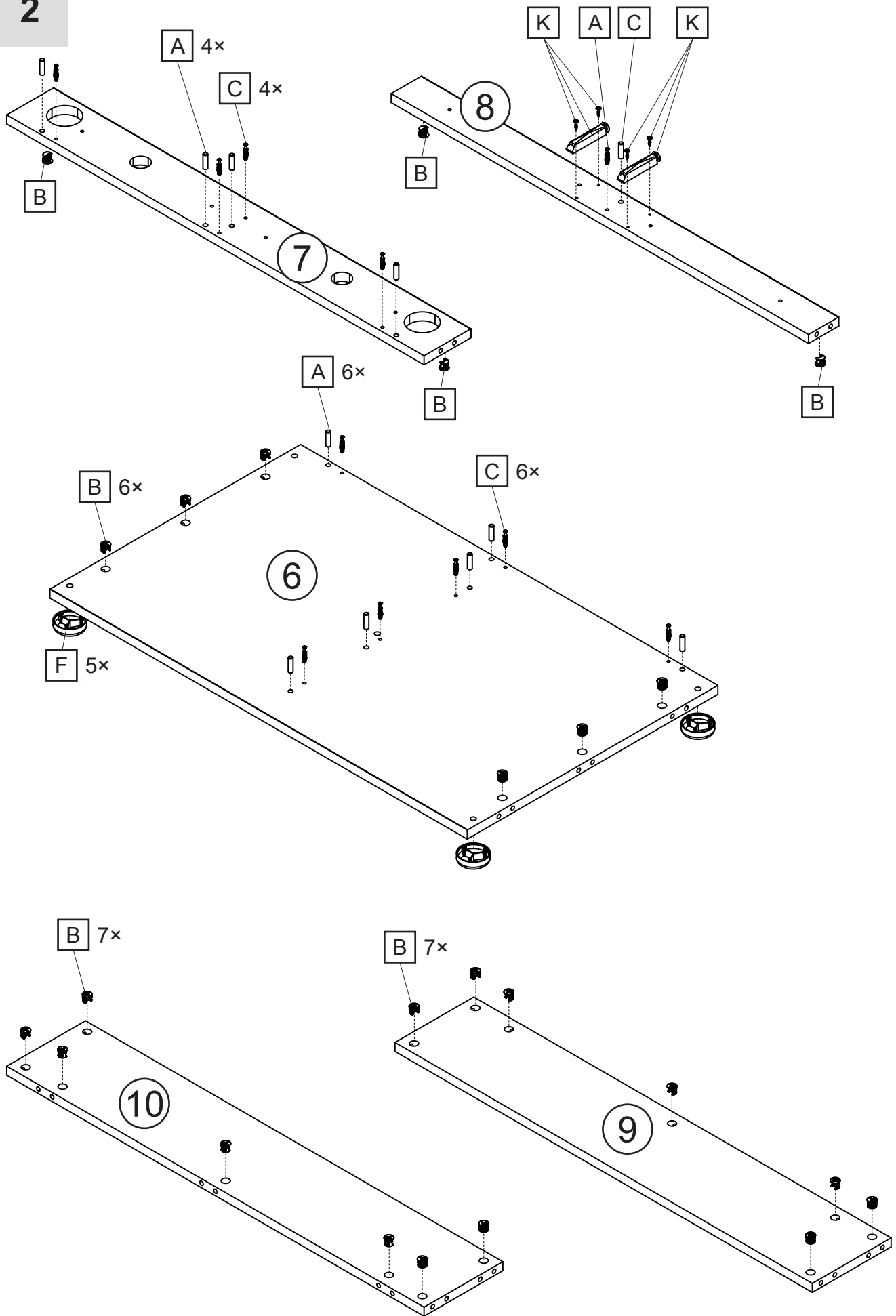

Ø8 × 35		Ø8 × 24		Ø3,5 × 16			
A 29×	B 29×	C 29×	D 29×	E 16×	F 5×	G 4×	H 4×
							
35/16	35/16						
I 8×	J 8×	K 2×					



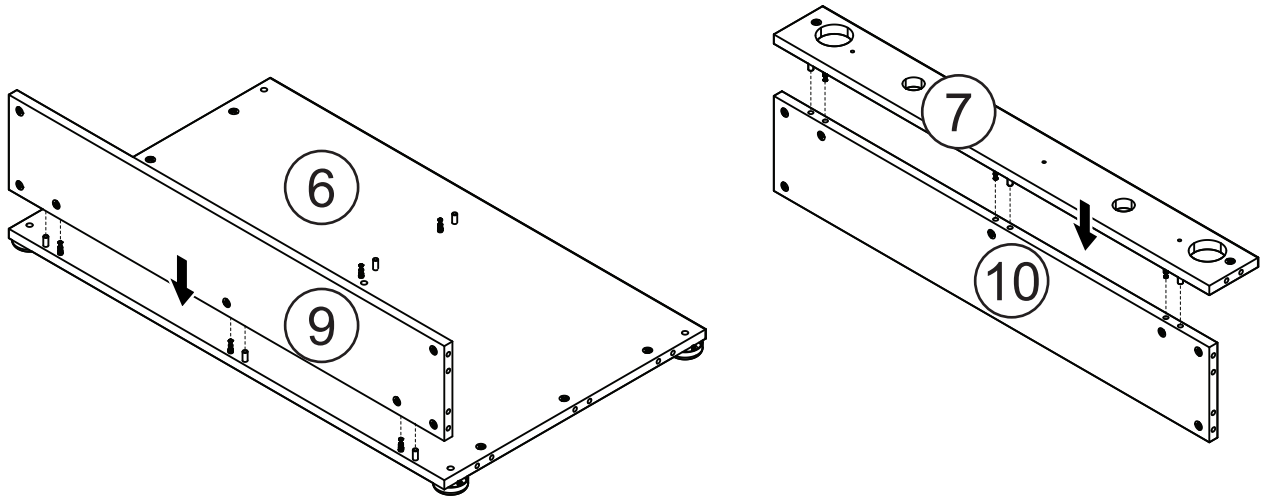
1



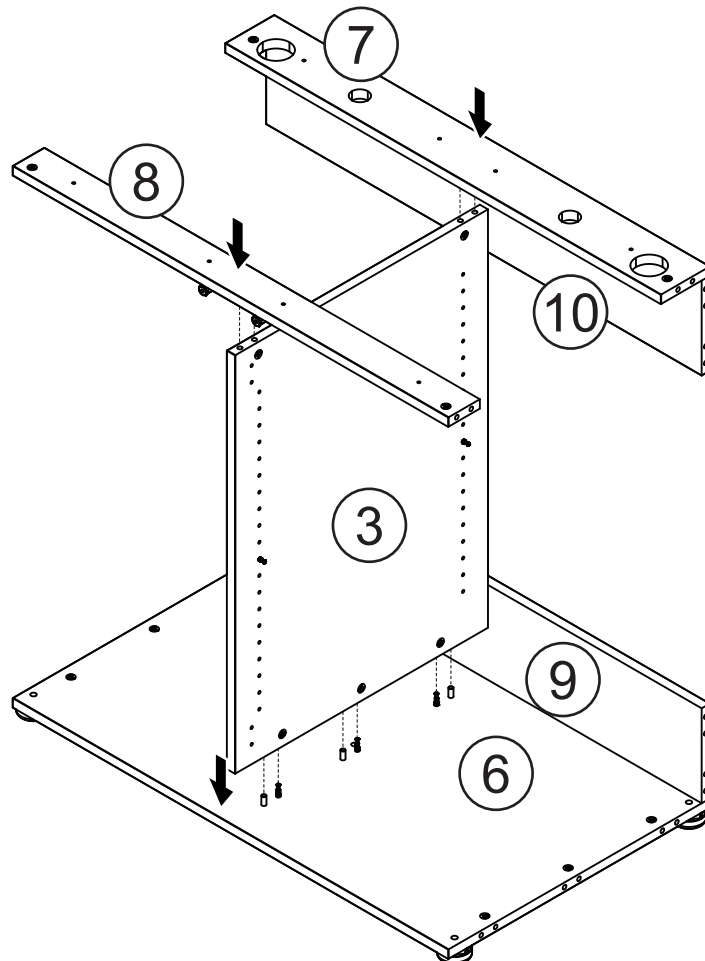
2



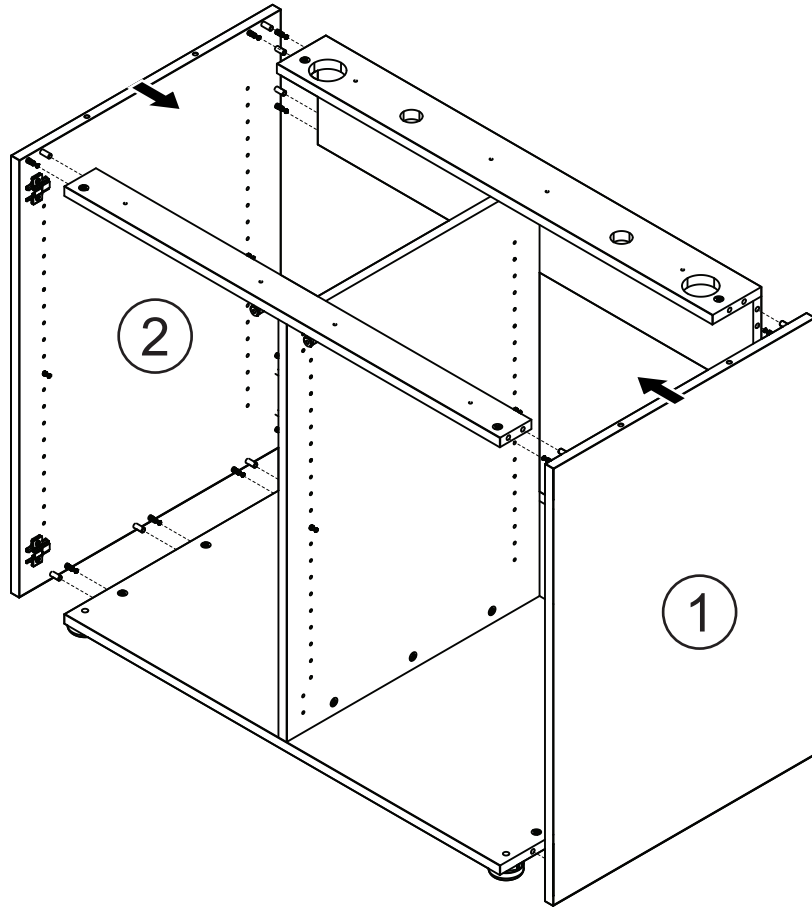
3



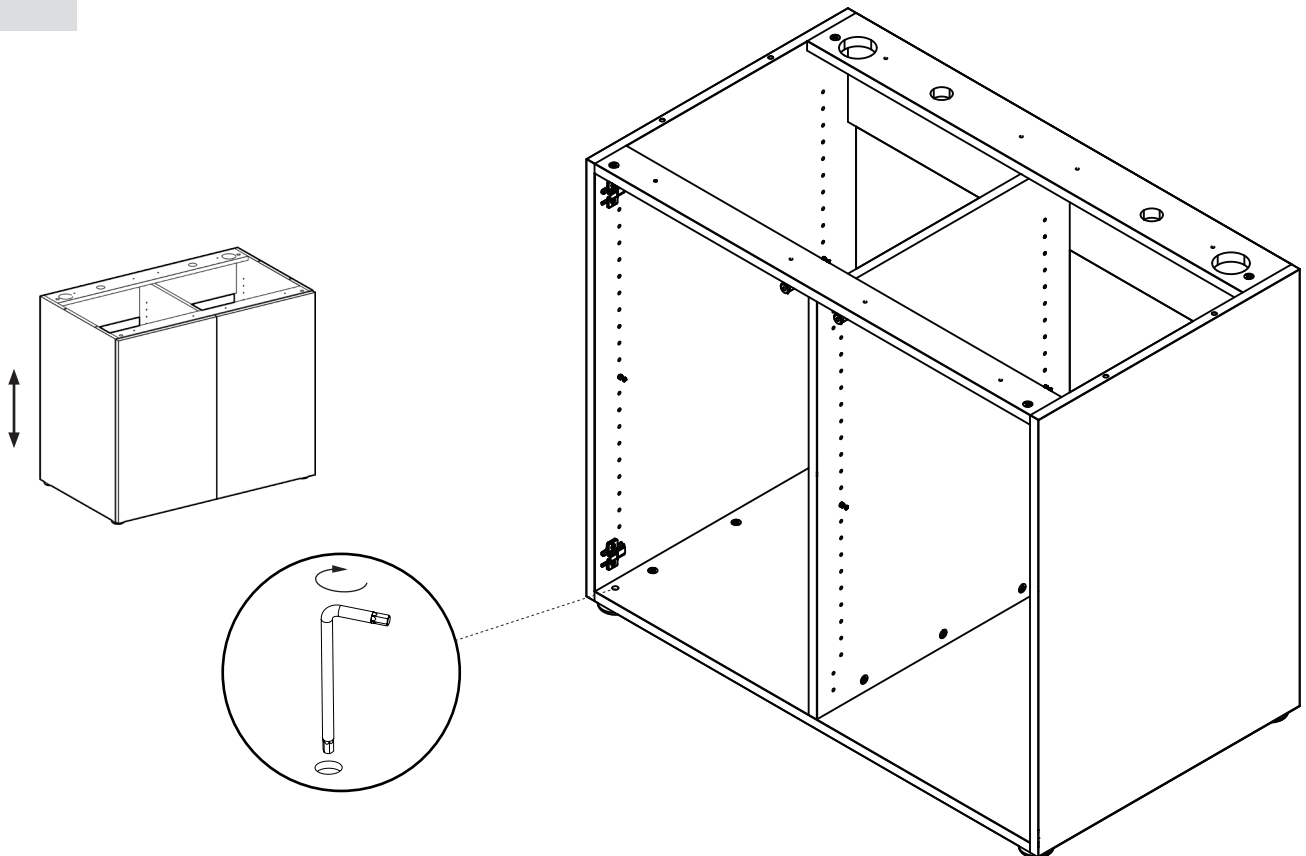
4



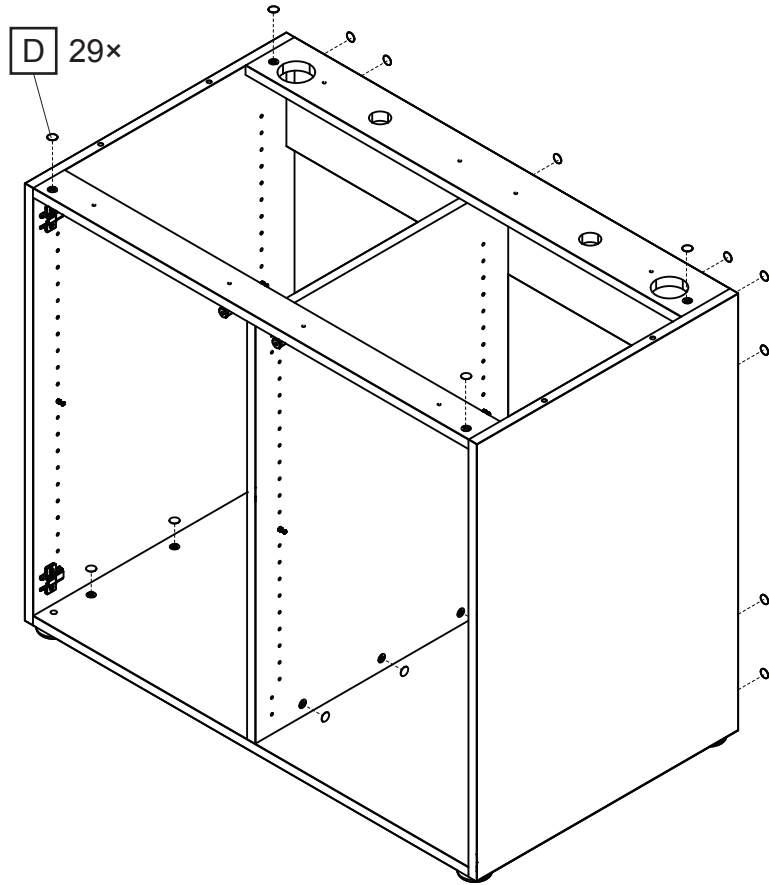
5



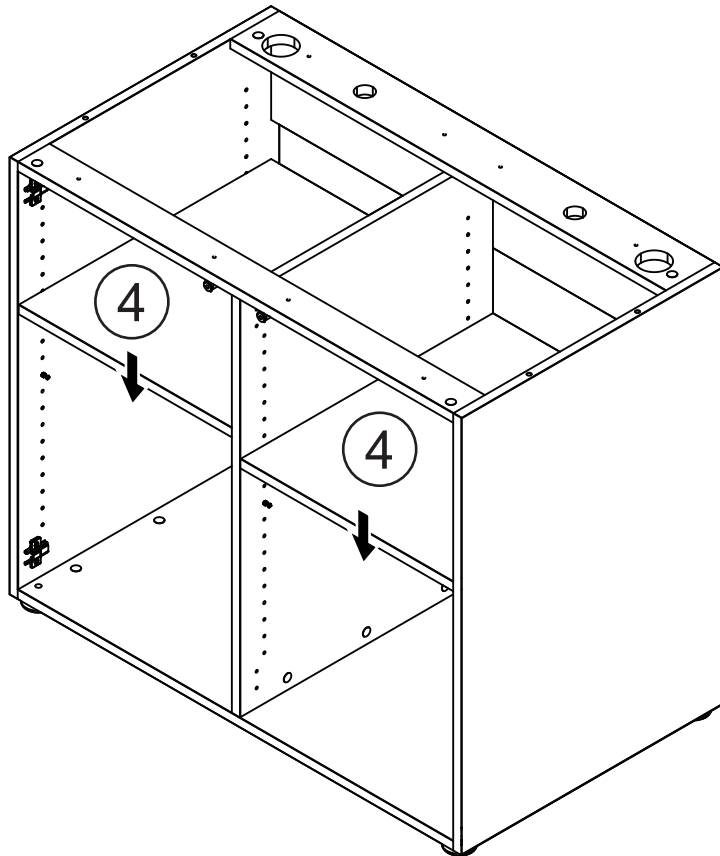
6

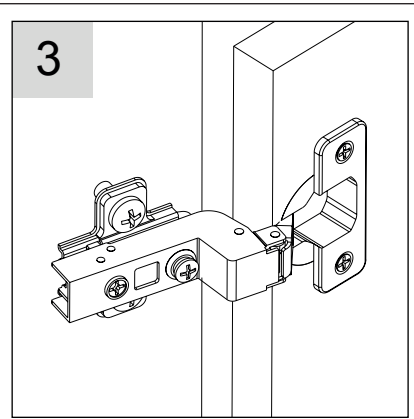
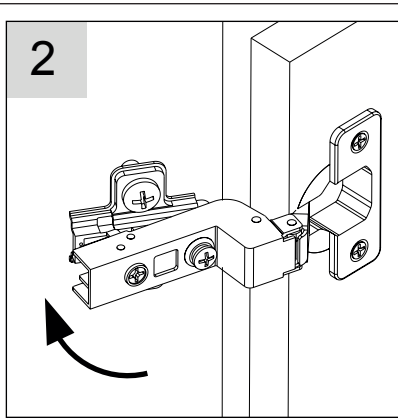
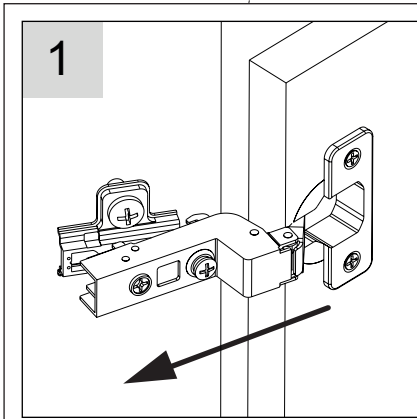
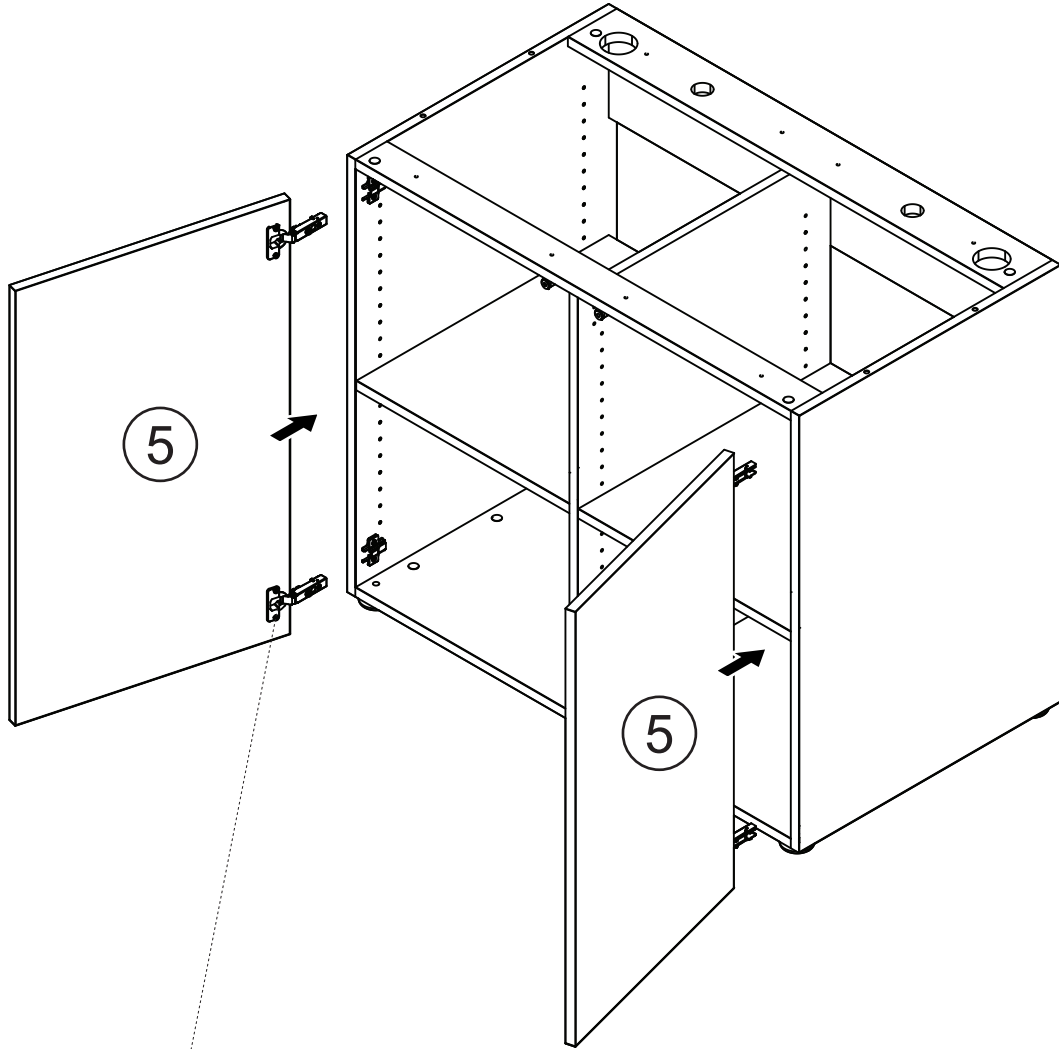


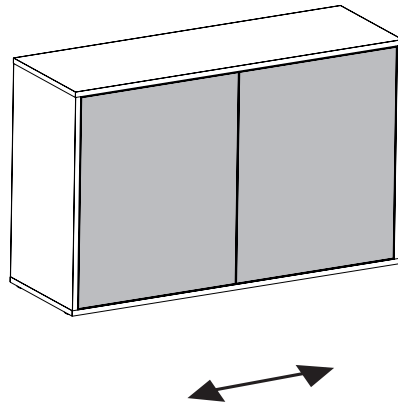
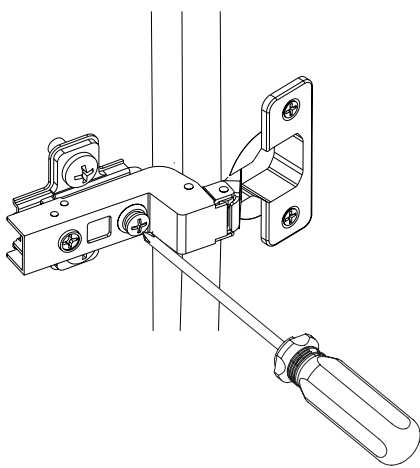
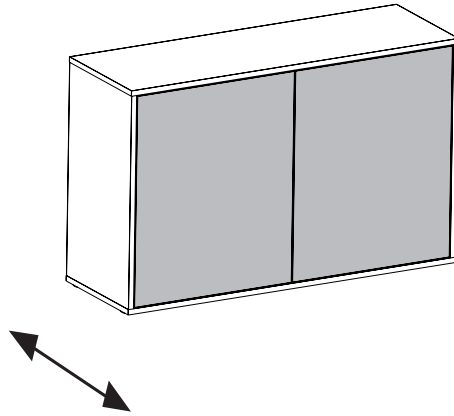
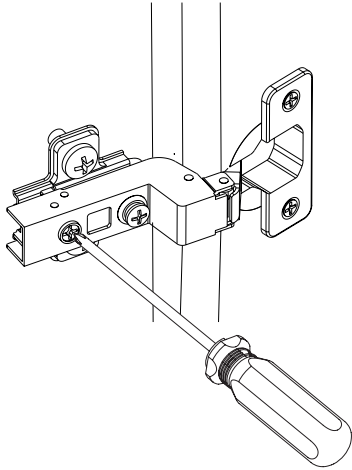
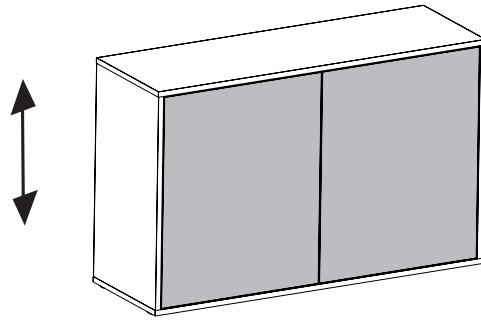
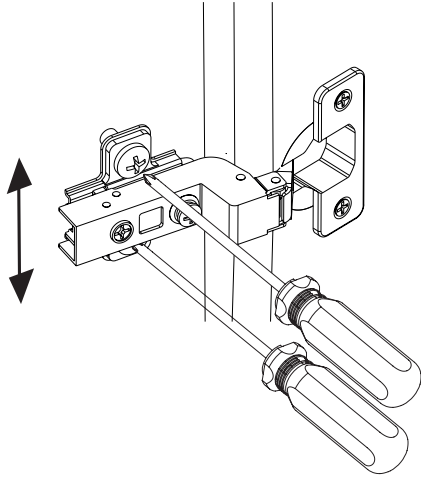
7

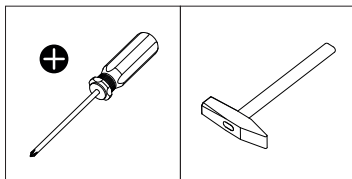
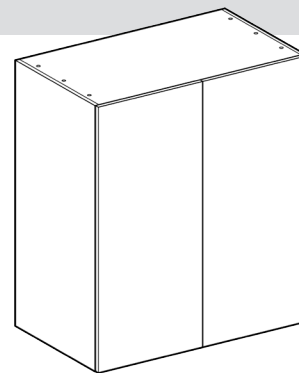











8

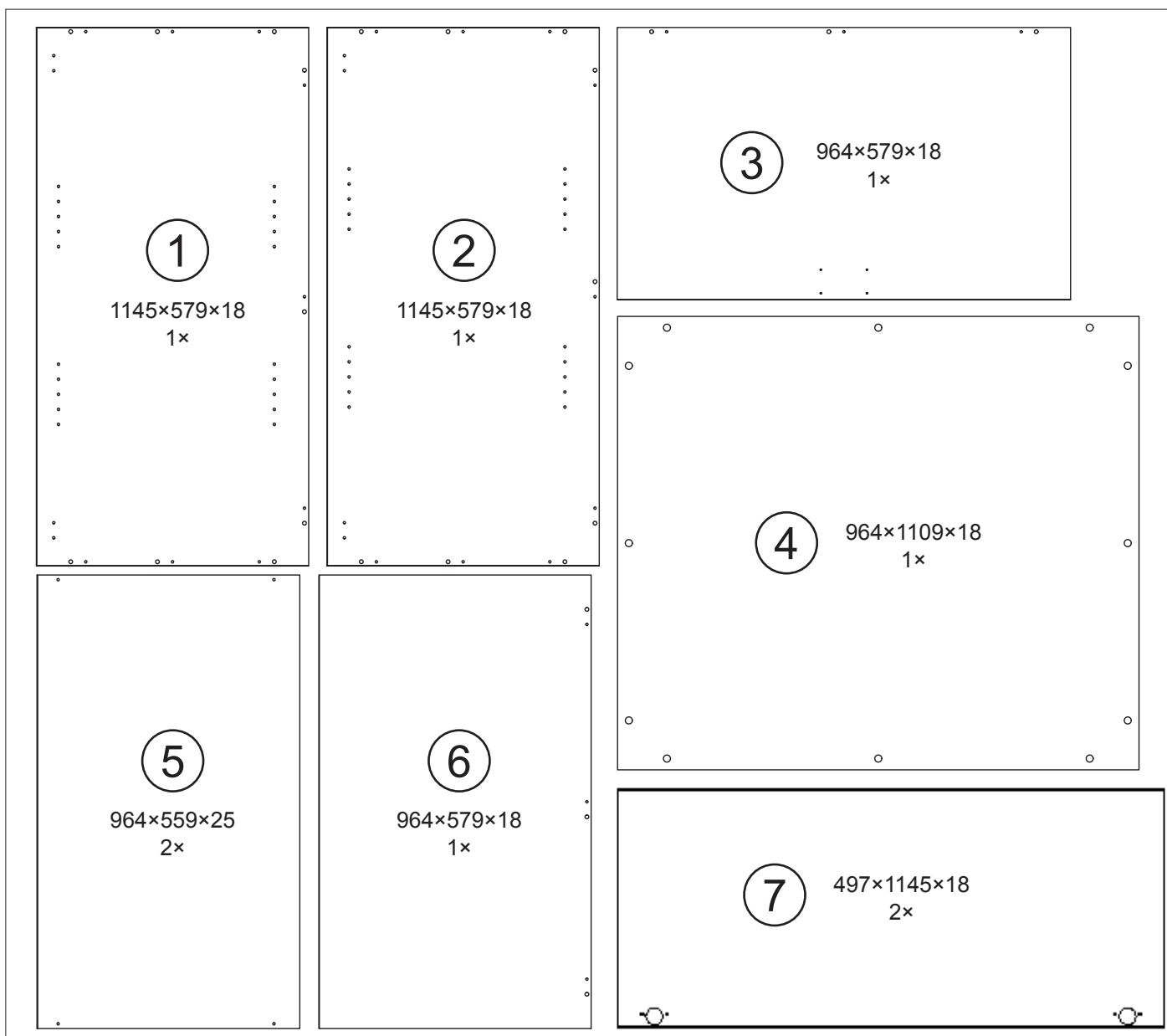




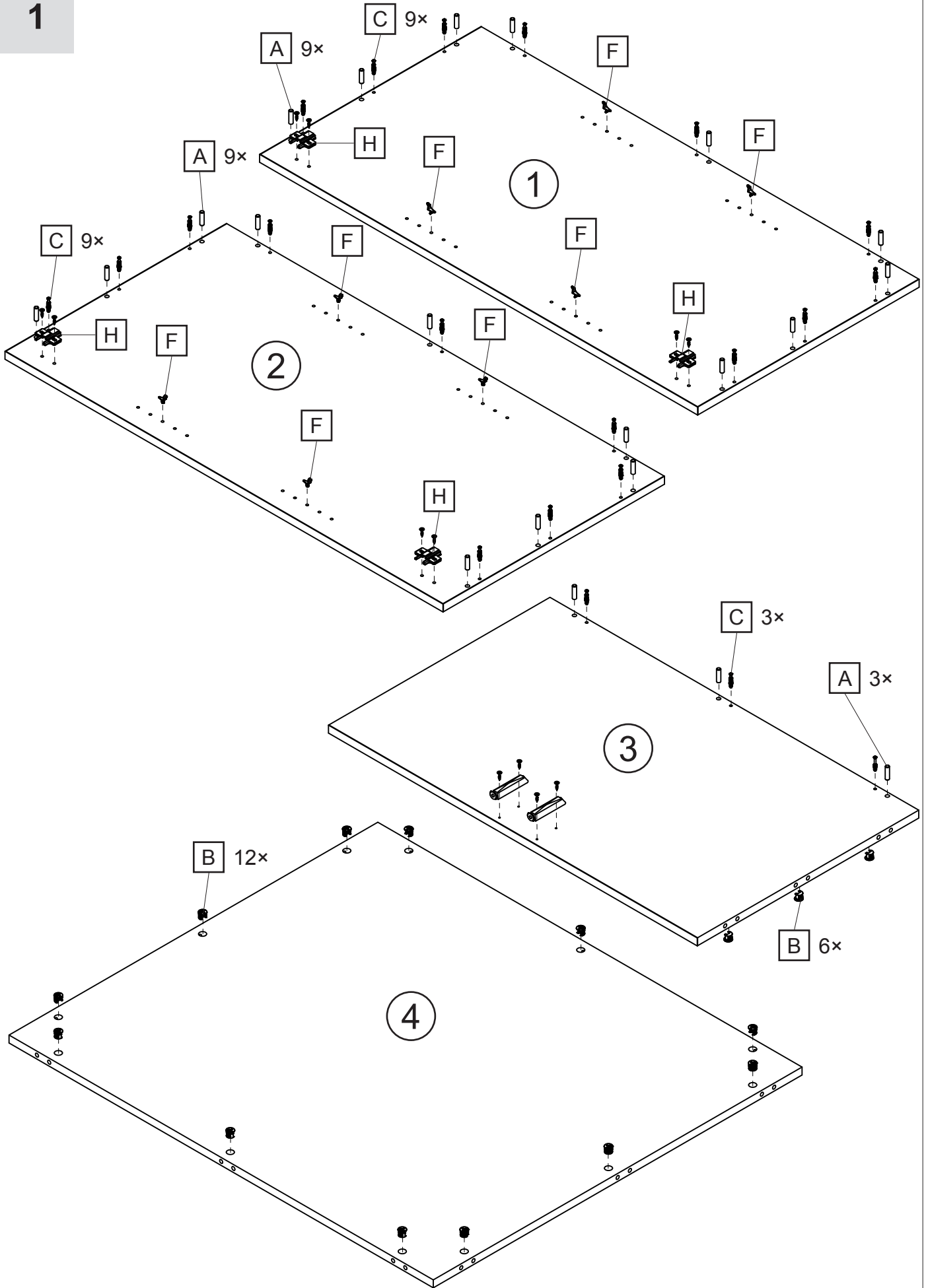




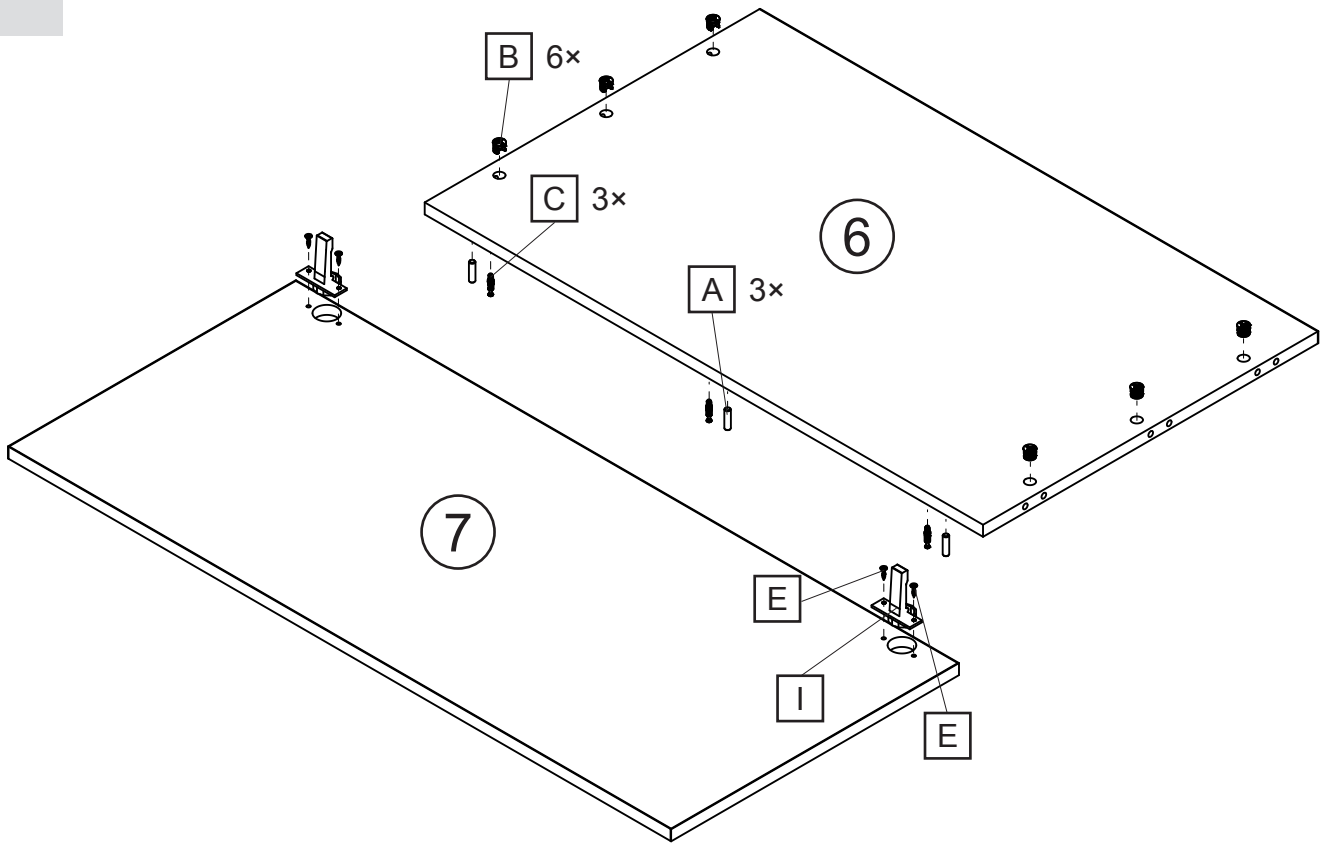
							
Ø8 x 35		Ø8 x 24		Ø3,5 x 16			
A 24x	B 24x	C 24x	D 24x	E 16x	F 8x	G 2x	H 4x
							
I 4x							



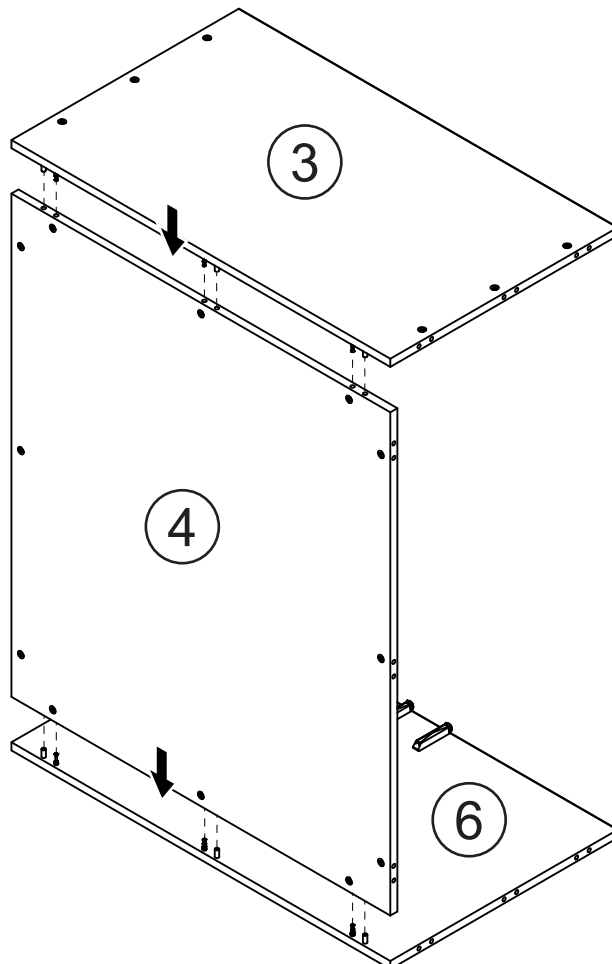
1



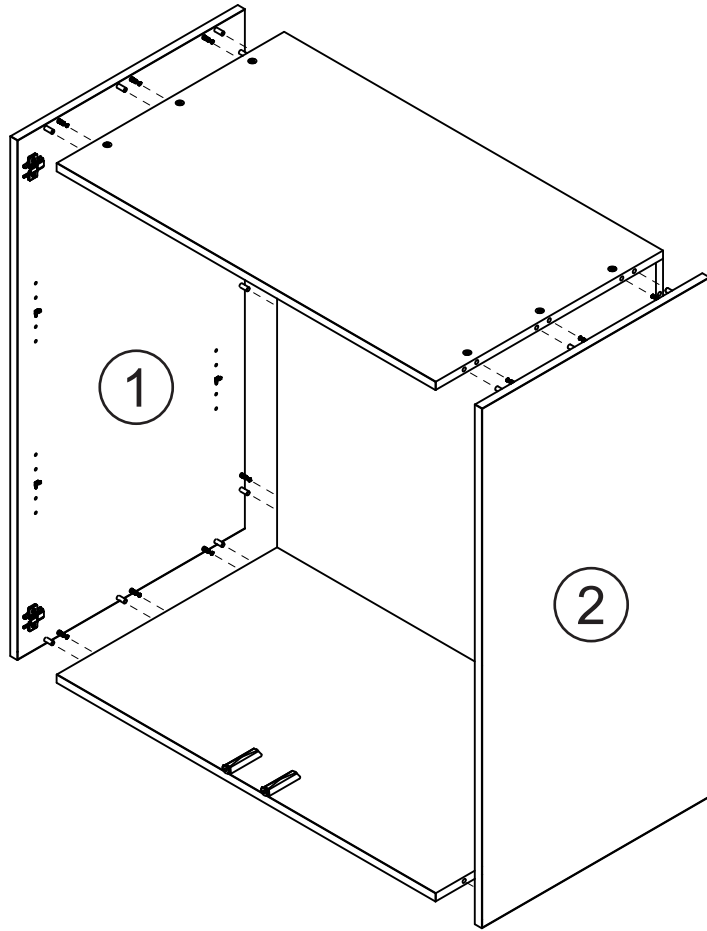
2



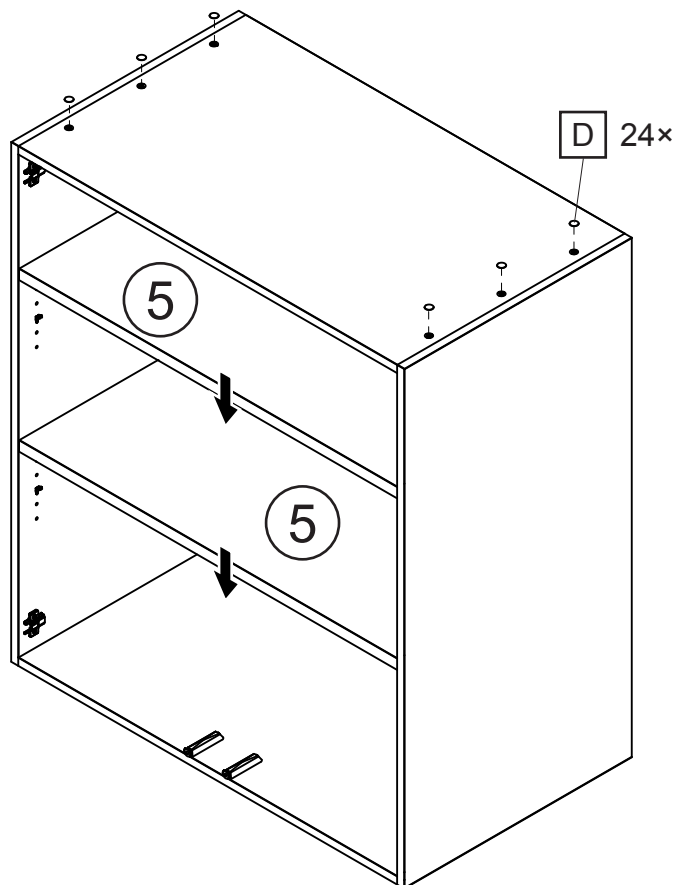
3



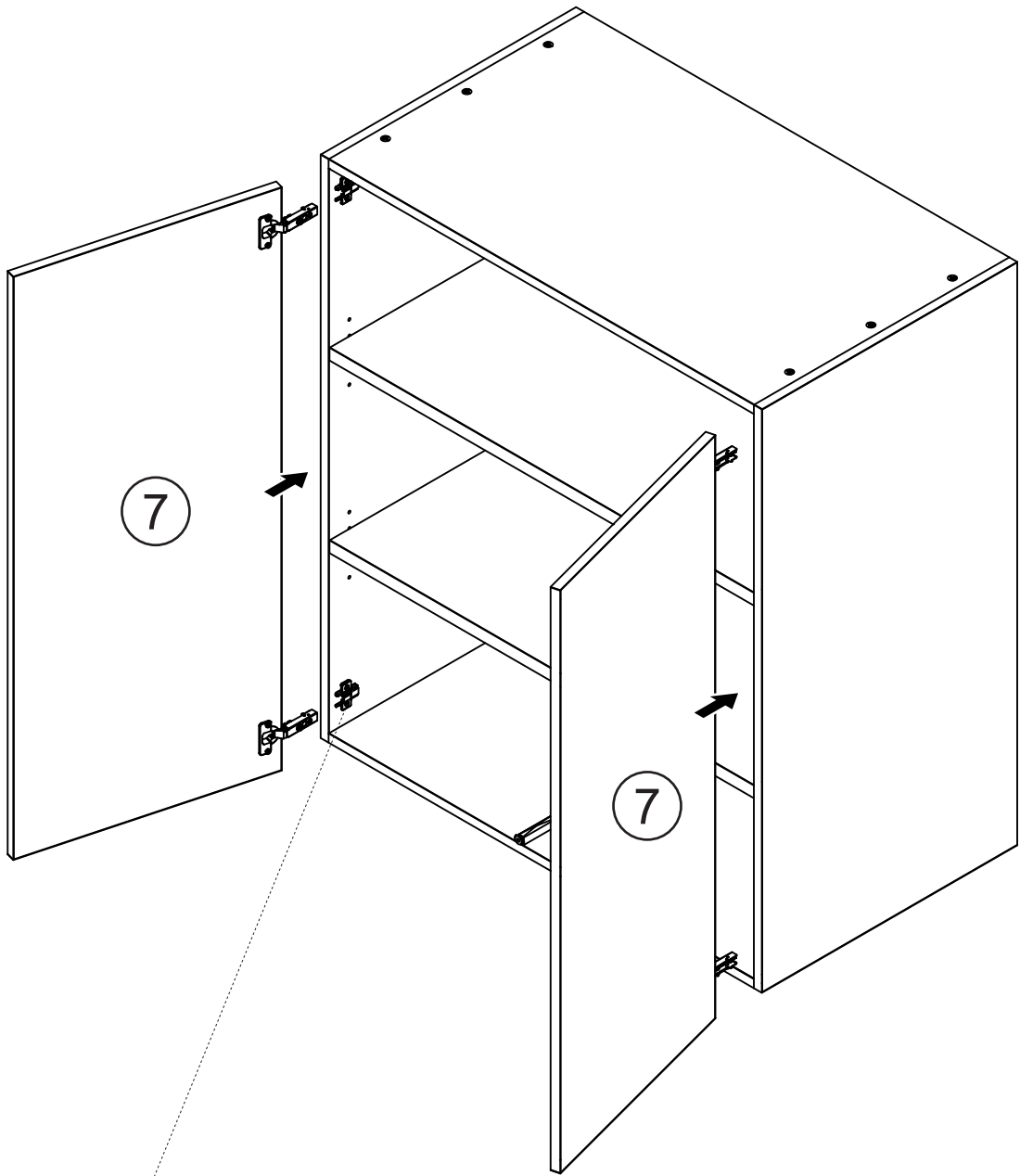
4



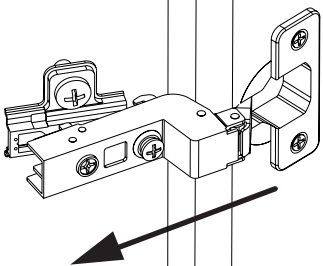
5



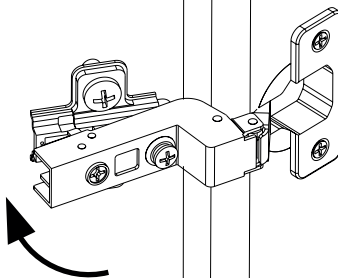
6



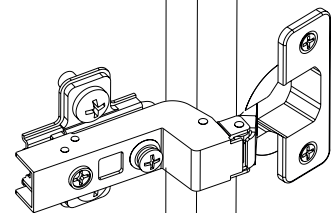
1



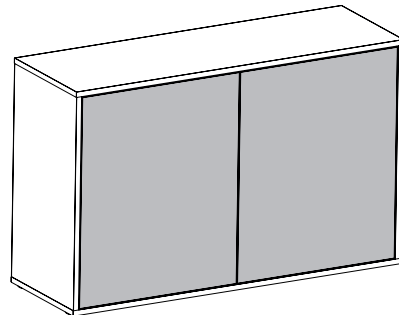
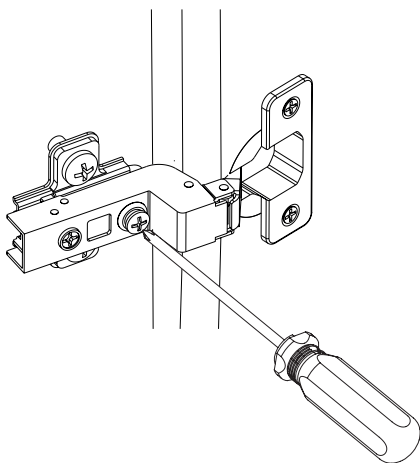
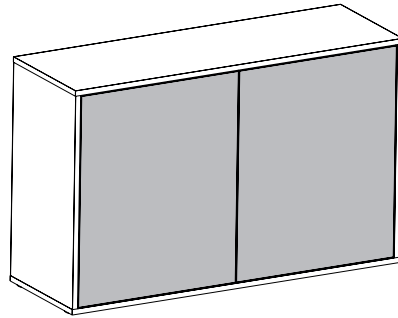
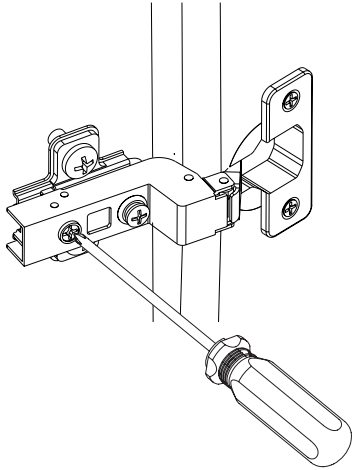
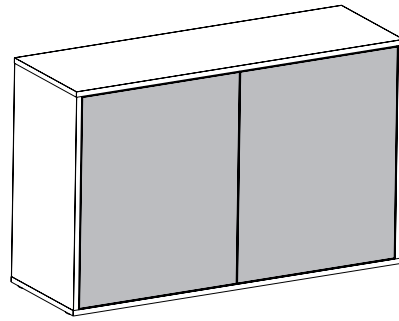
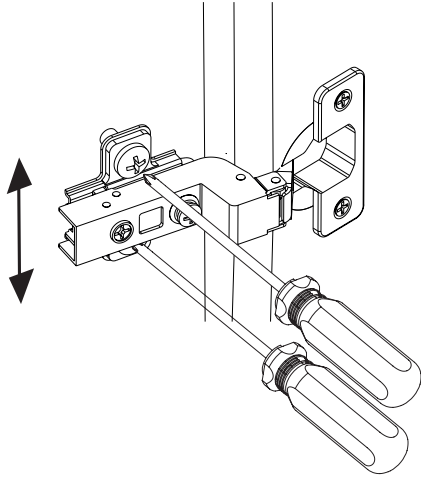
2

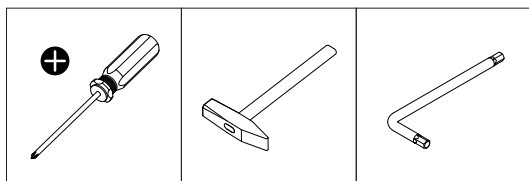




3

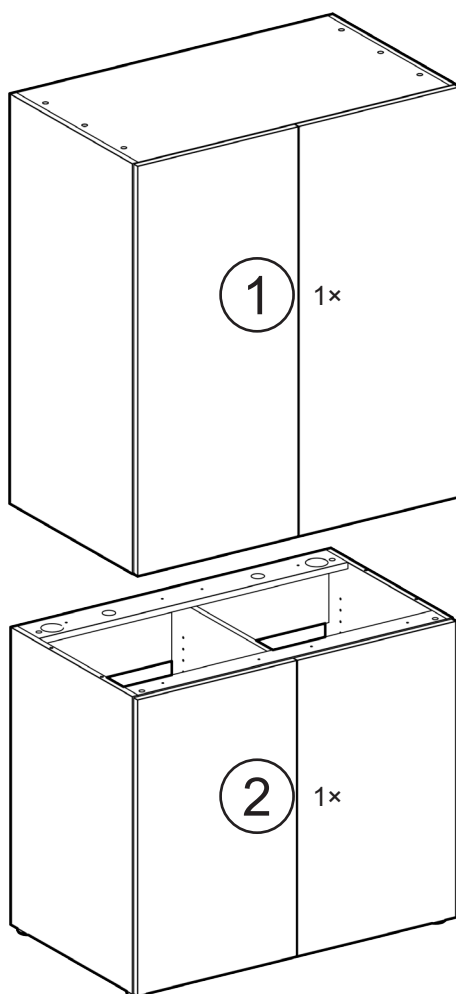
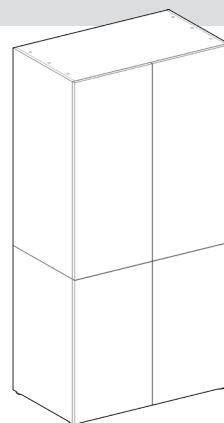


7

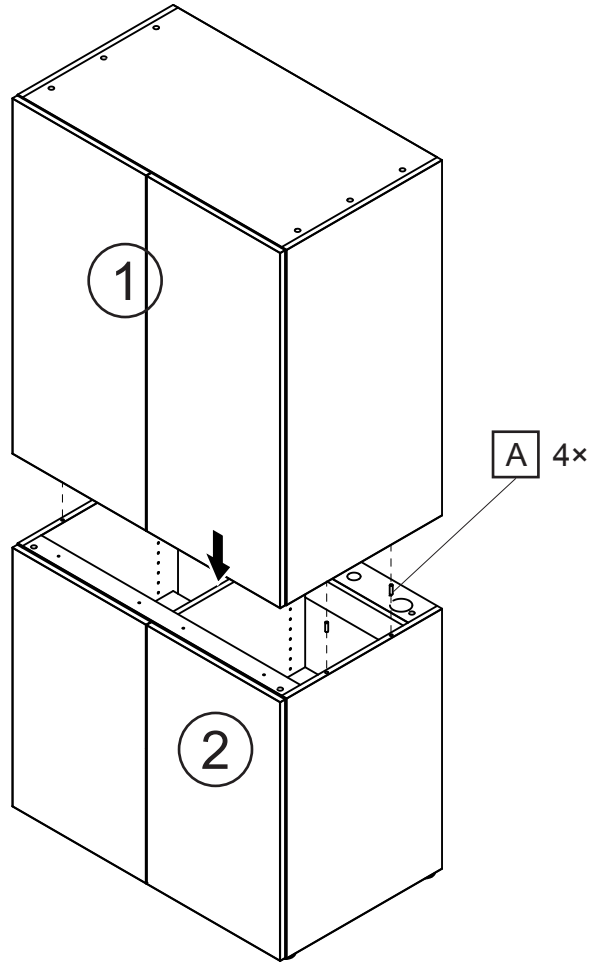




	
Ø8 x 35	Ø3,5 x 30
A 4x	B 8x



1



2

