




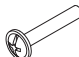

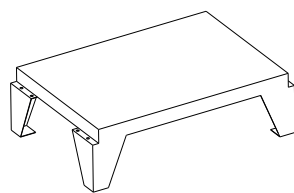
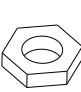
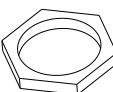
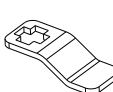
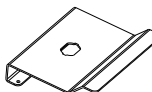
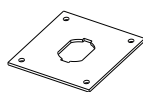
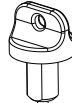
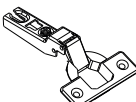
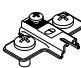
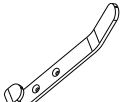

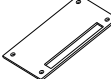
 Ø8 × 35	 22×	 22×	 22×	 4×	 Ø3,5 × 16	 Ø6 × 30	 2×
A 23×	B 22×	C 22×	D 22×	E 4×	F 20×	G 4×	H 2×
	 2×	 2×	 2×	 2×	 2×	 2×	
	 8×	 8×	 2×	 Ø4,5 × 16	 2×		
	I 1×	Q 8×	R 8×	S 2×	T 20×	U 2×	

1

273 × 370
4×

2

1273 × 400
2×

3

604 × 420
1×

4

1232 × 400
1×

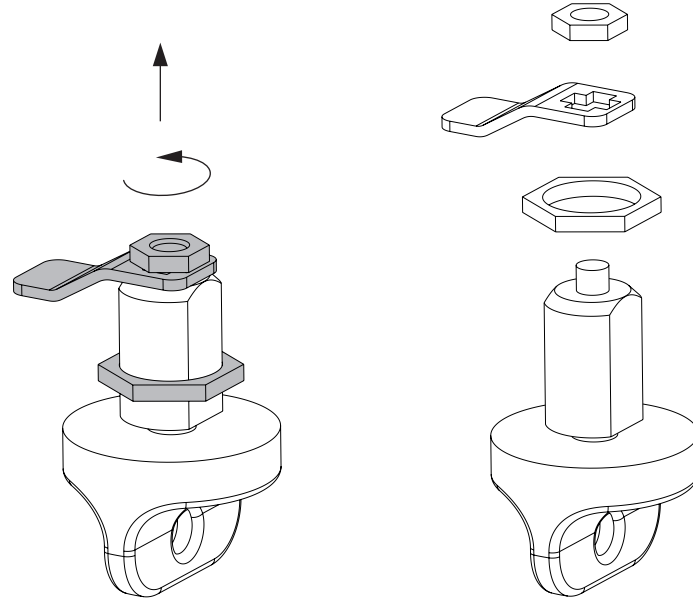
5

1265 × 289
2×

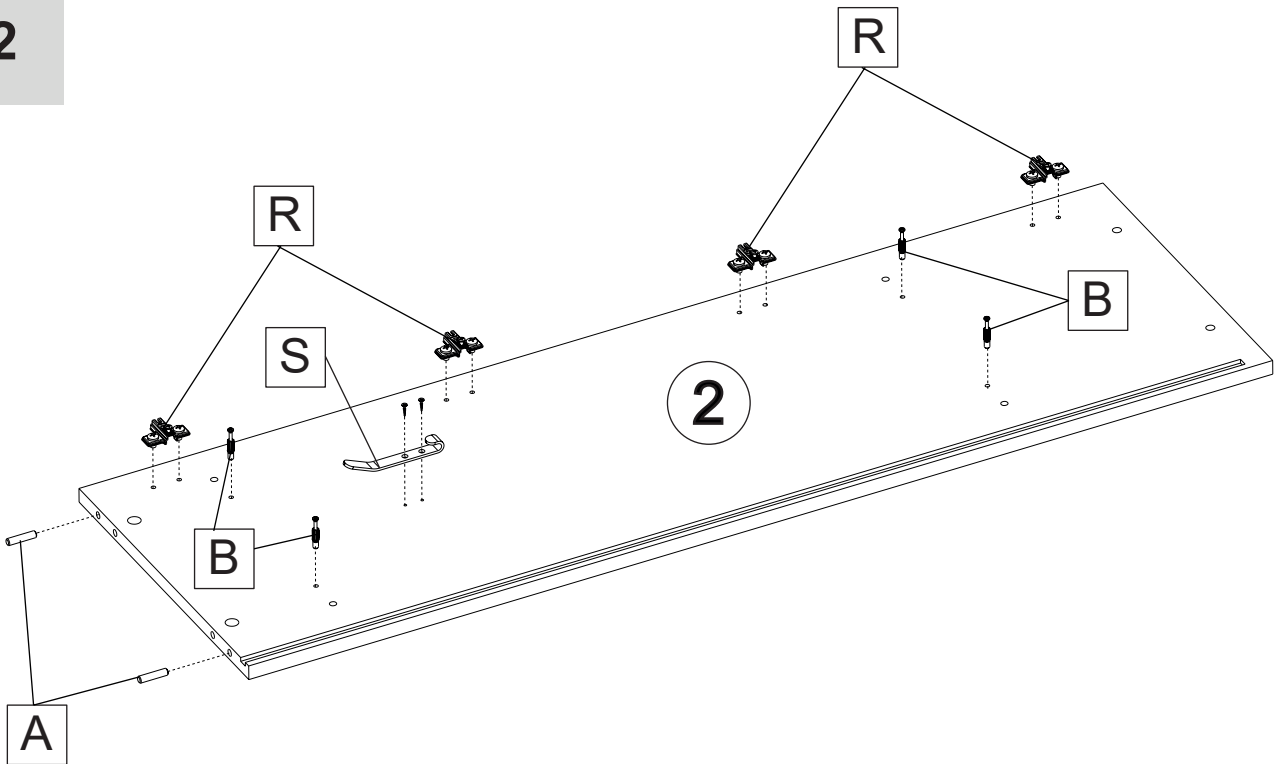
6

1240 × 286
2×

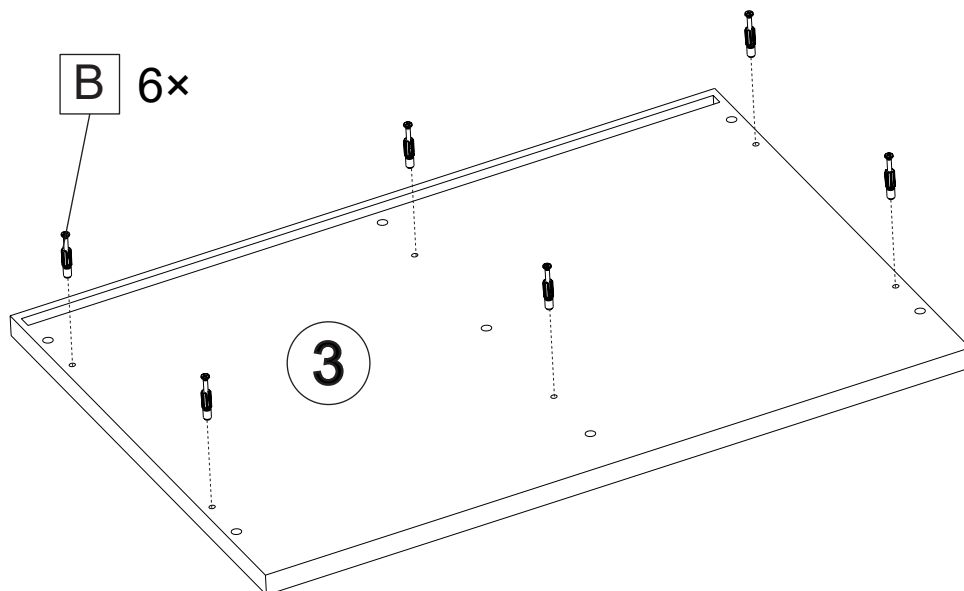
1



2

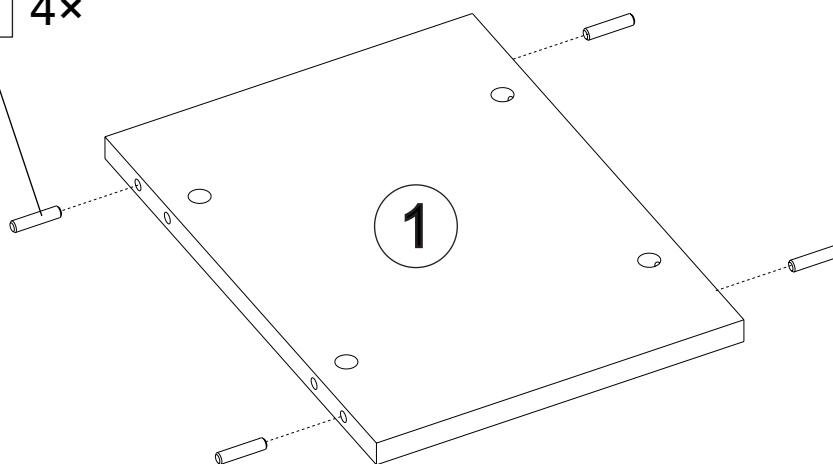


3

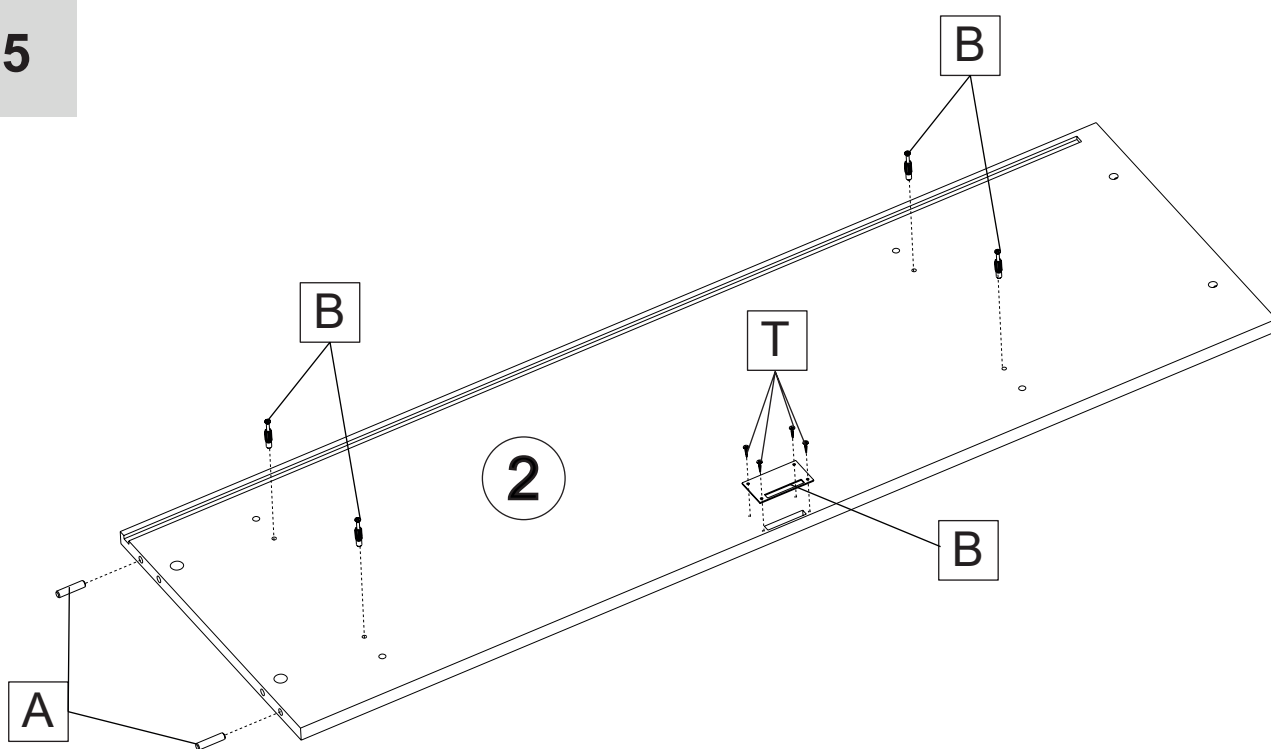


4

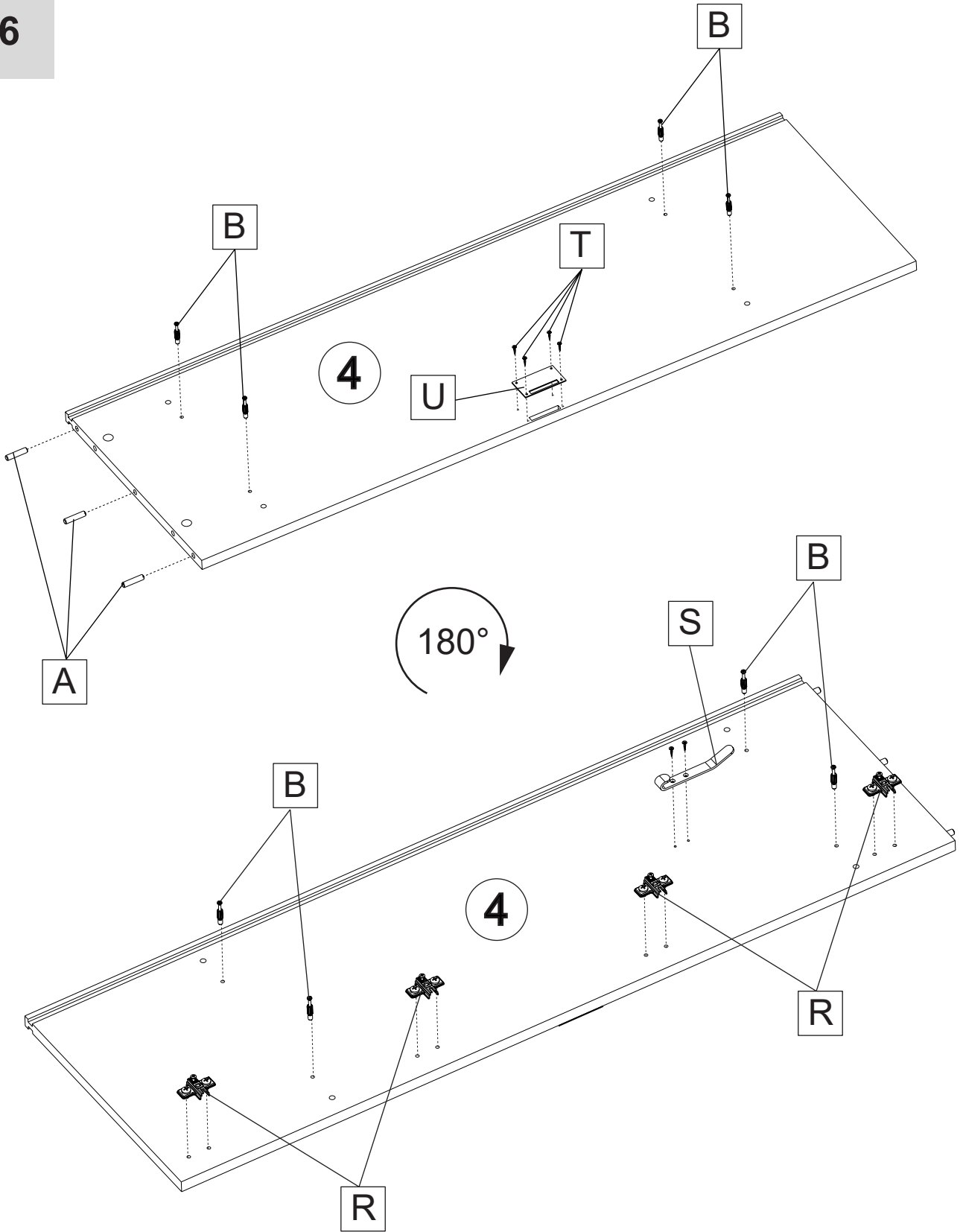
4x A 4x

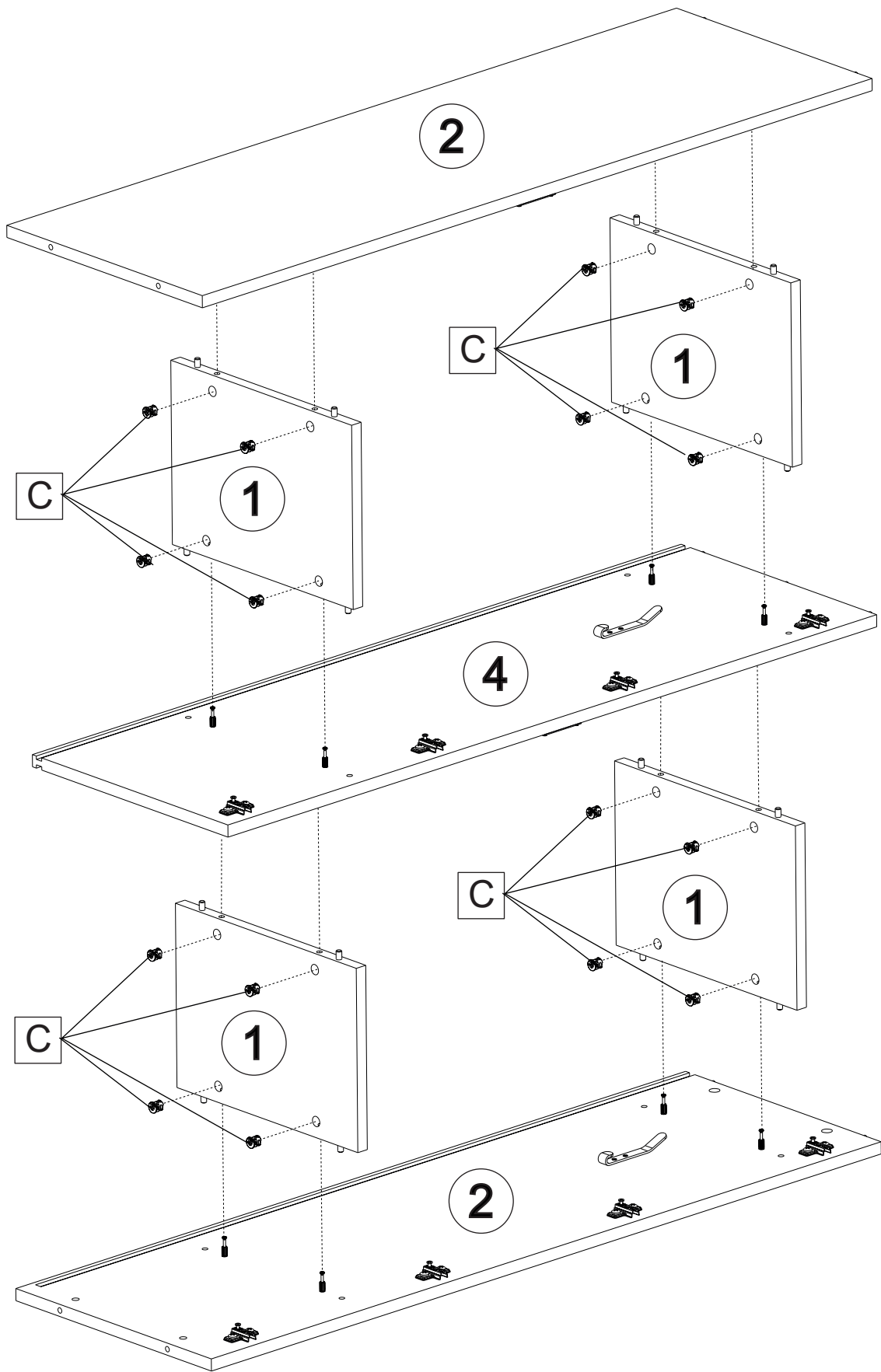


5

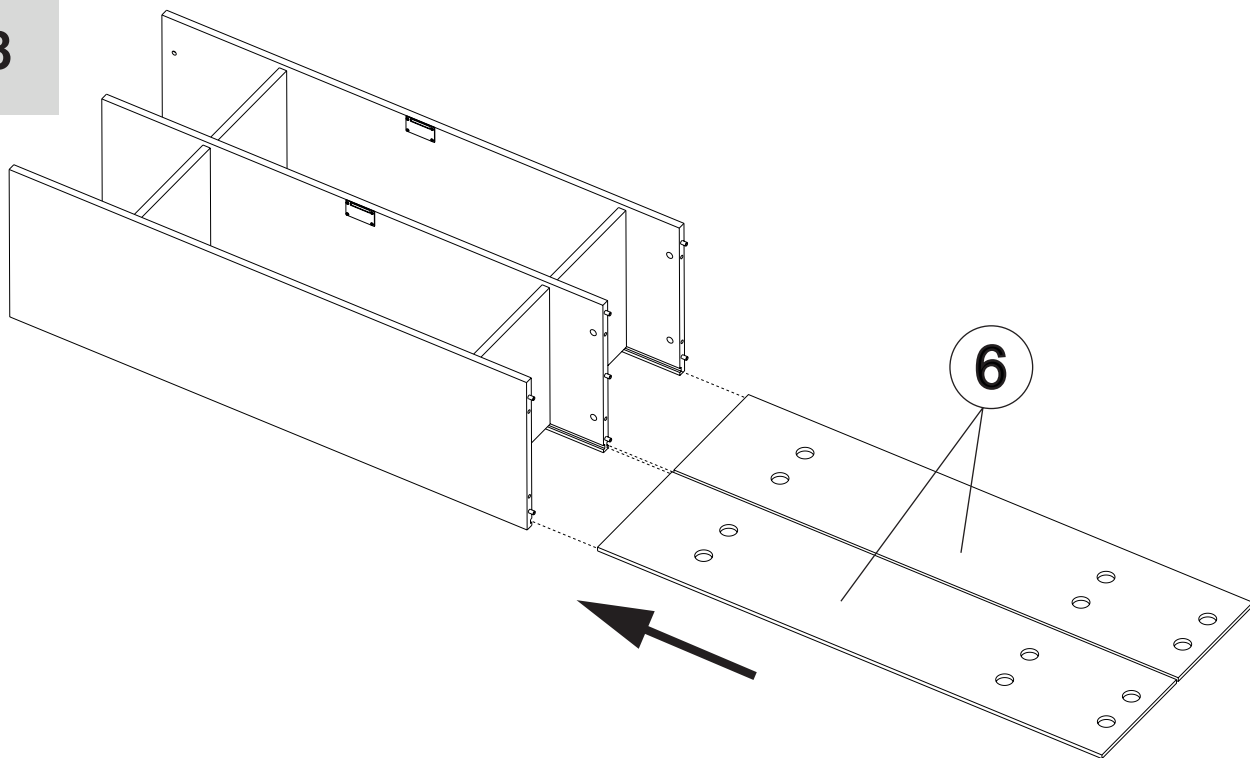


6

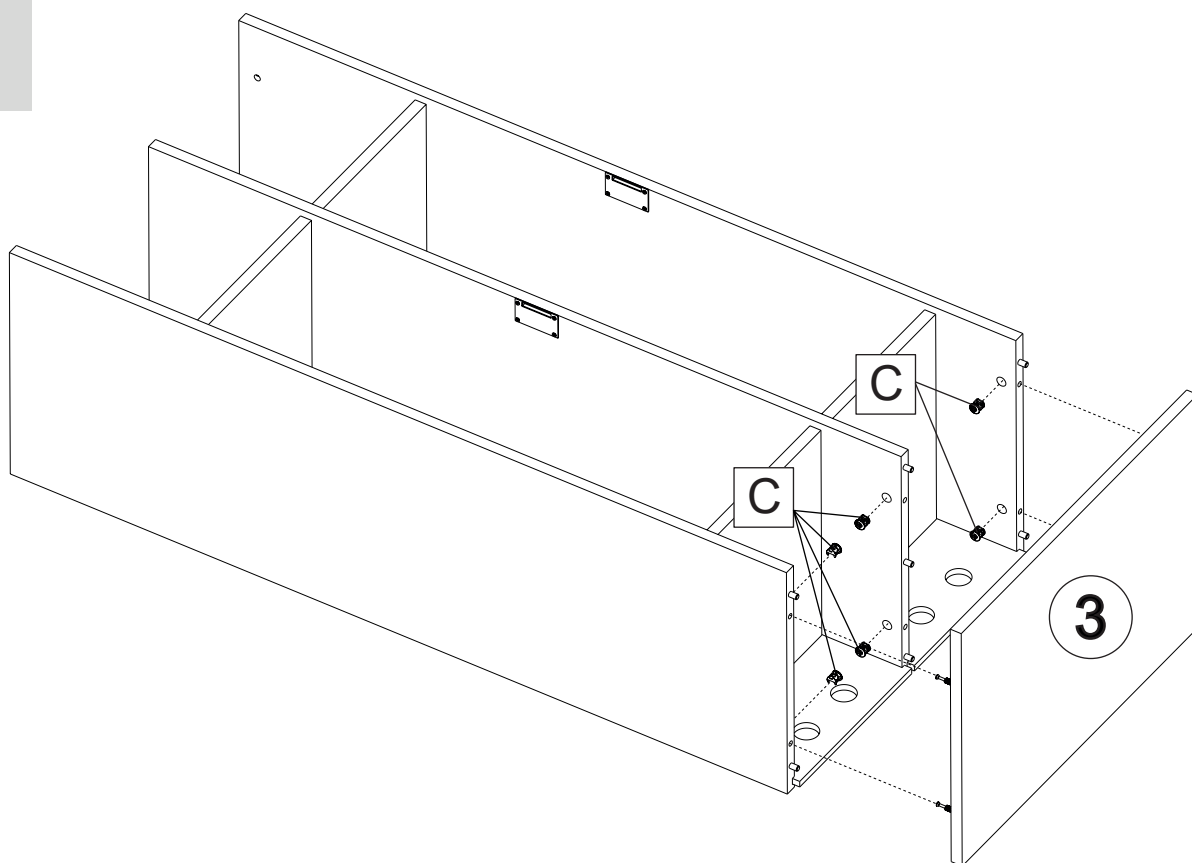




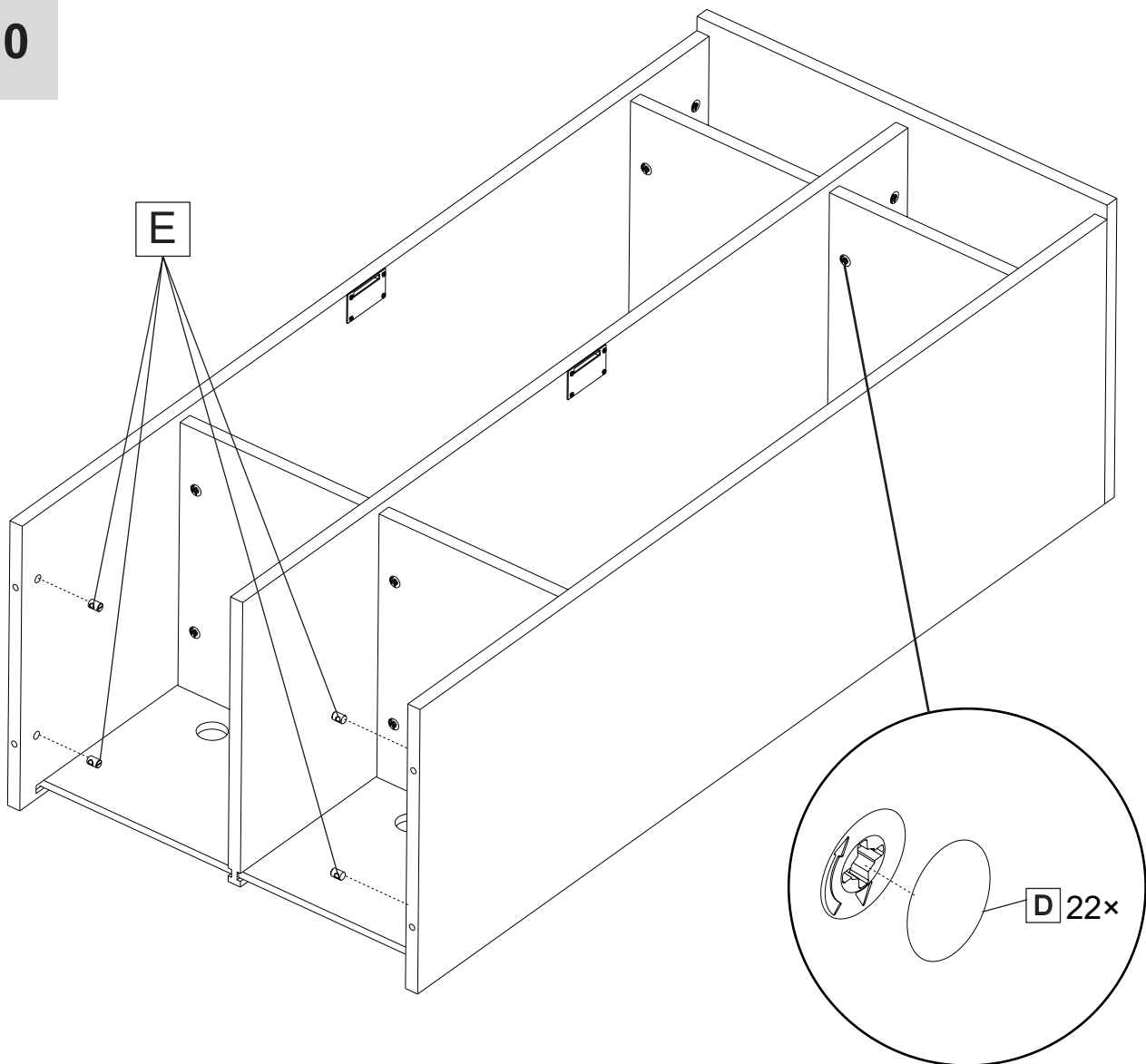
8



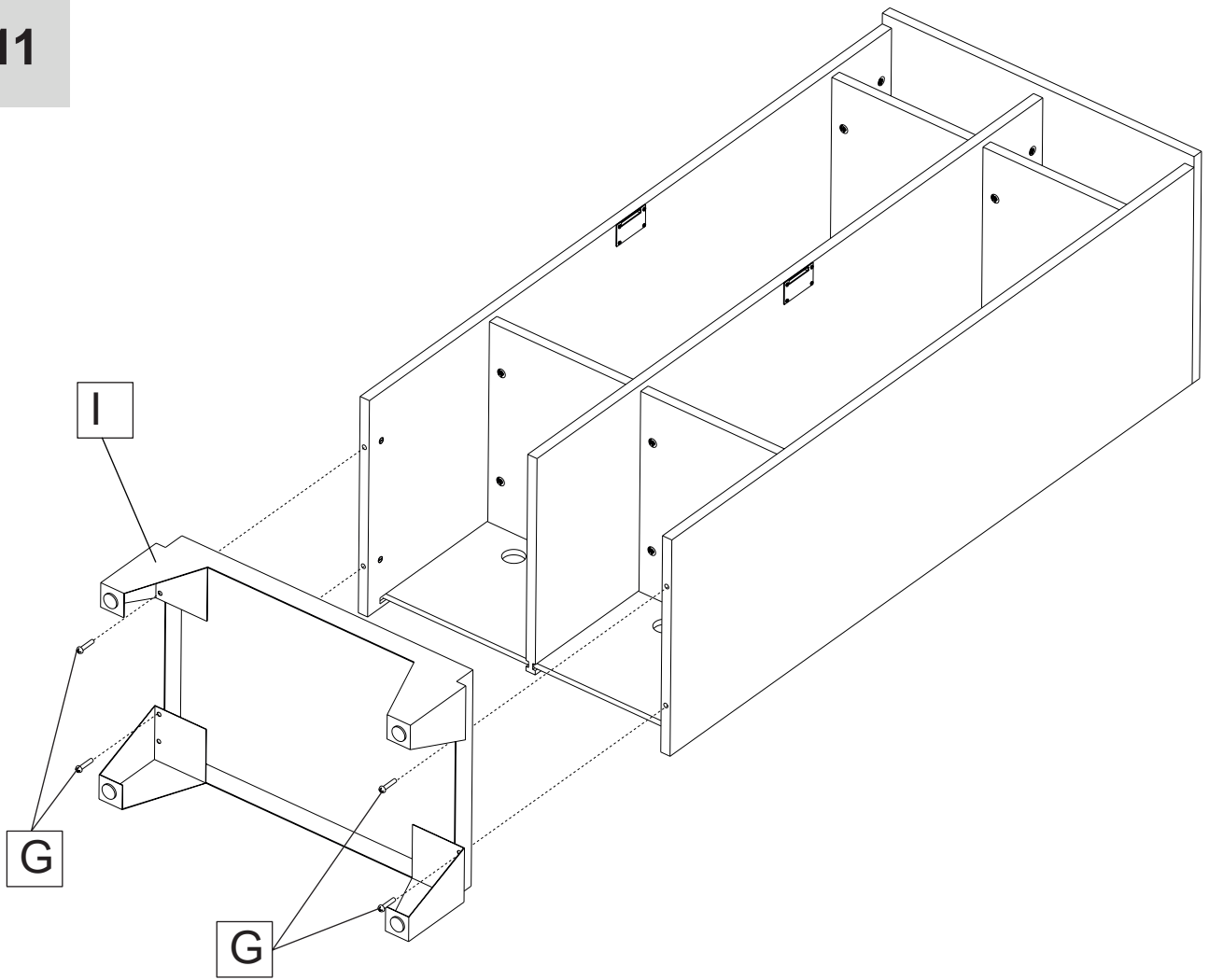
9



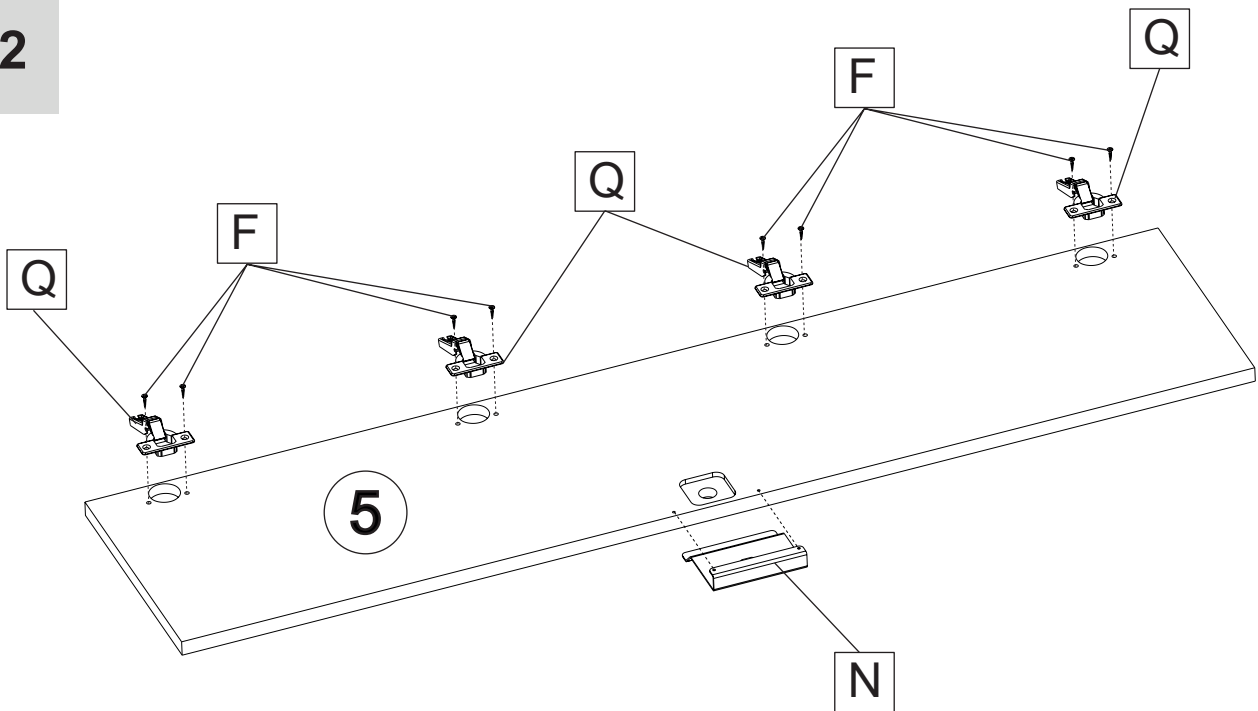
10



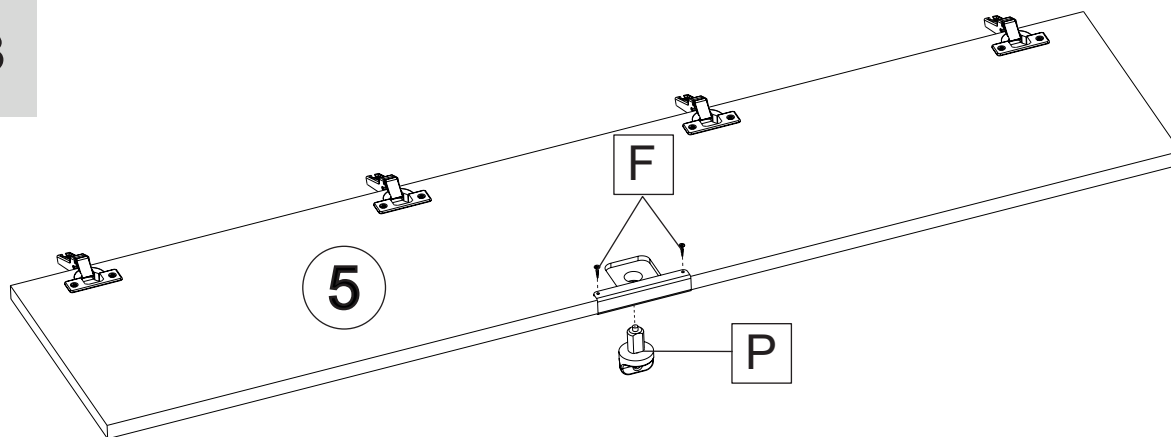
11



12



13



14

