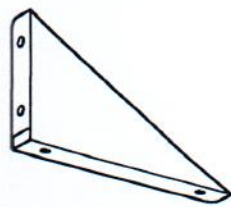
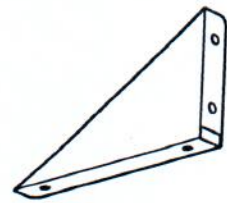


AX 1



BX 1



CX 1



IX 4



HX 4



FX 4

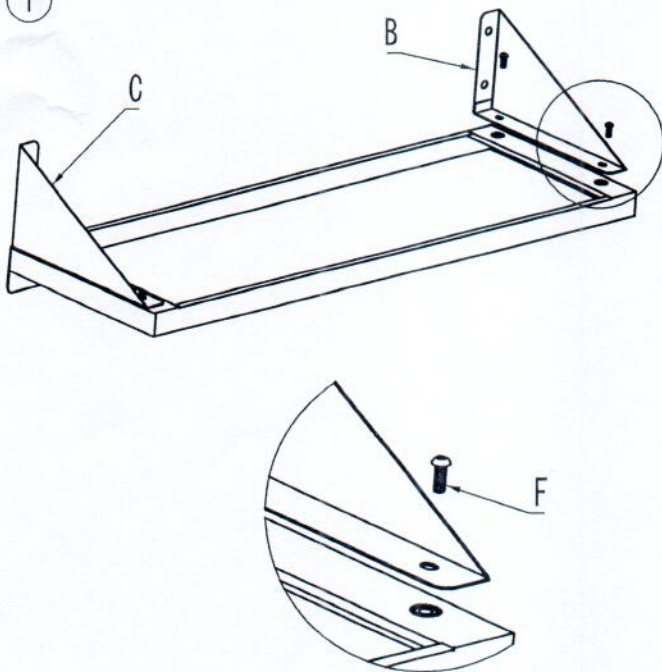


GX 4

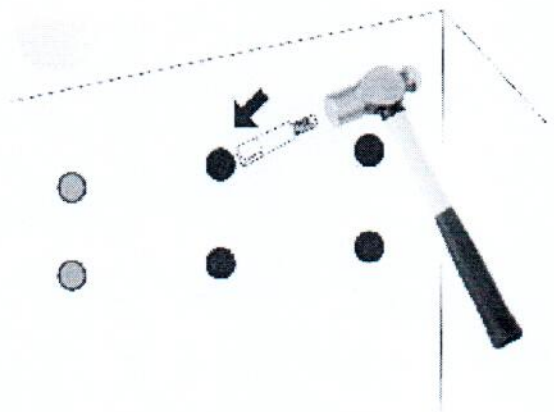


JX 4

①



②



③

