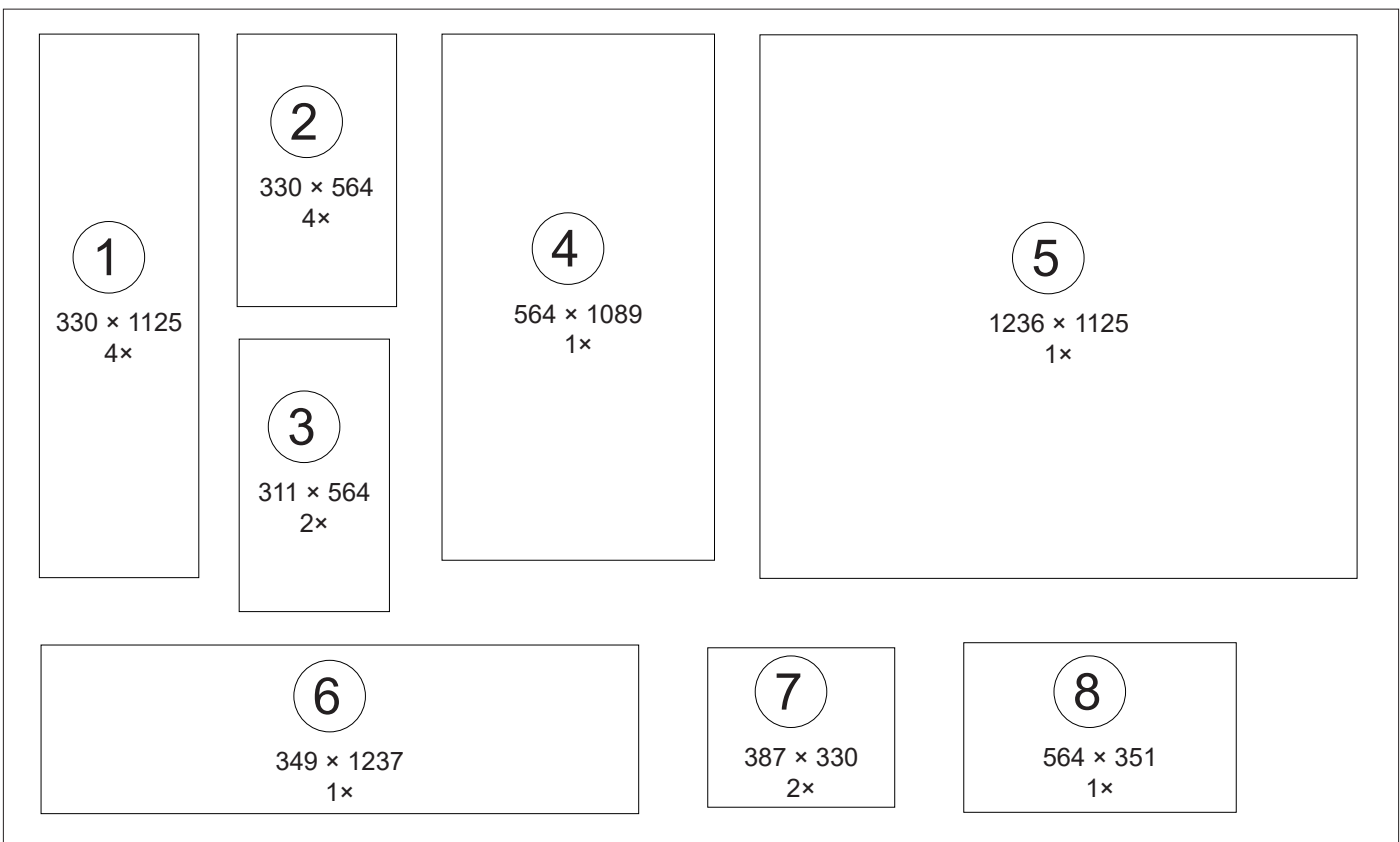
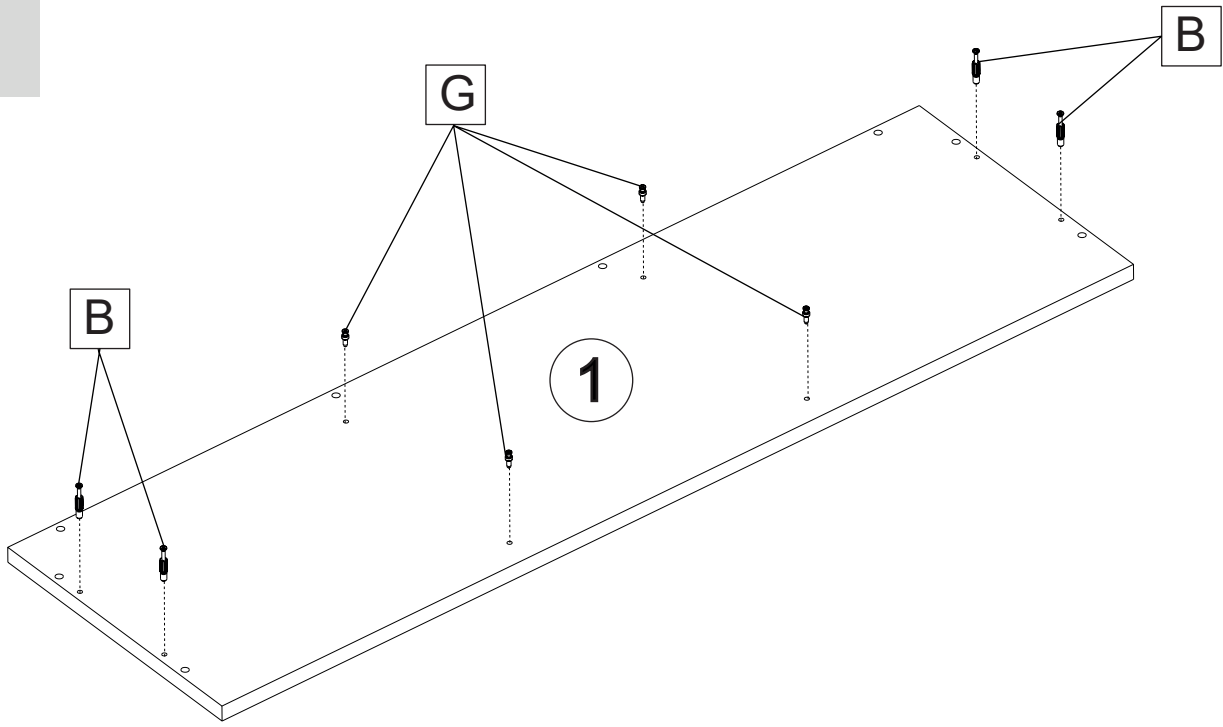
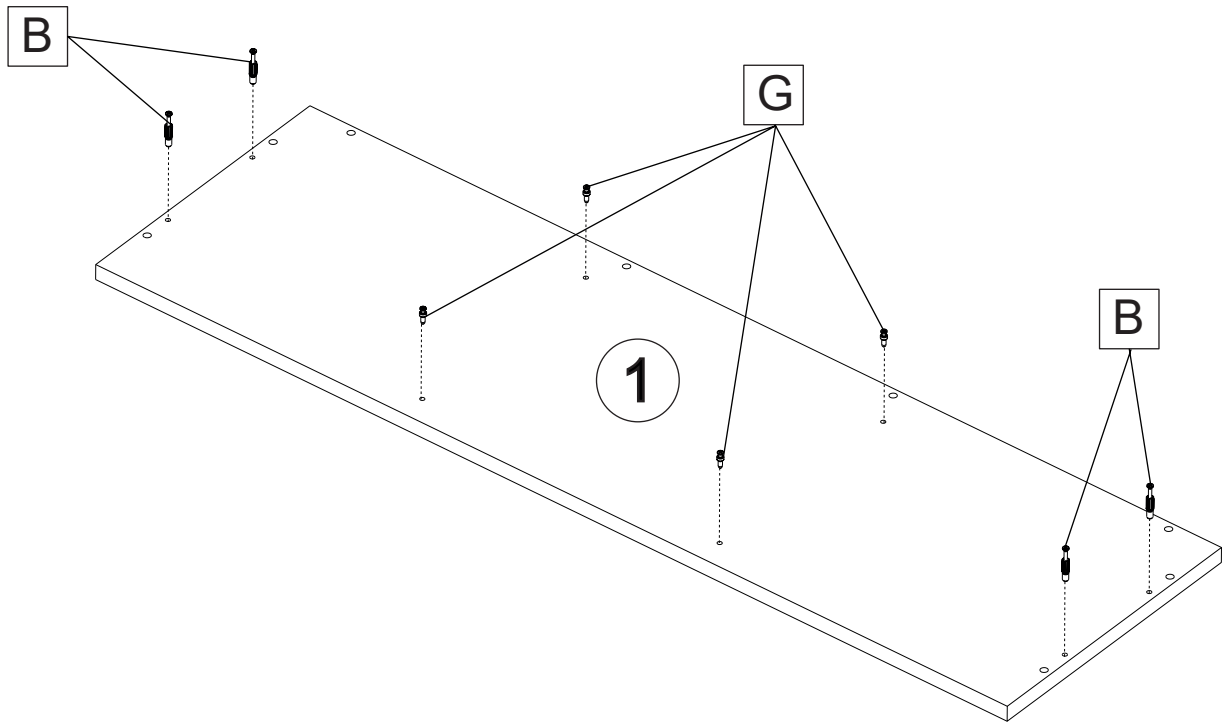

Ø8 × 35				Ø8 × 27			
A 55x	B 29x	C 29x	D 29x	E 2x	F 8x	G 8x	H 4x



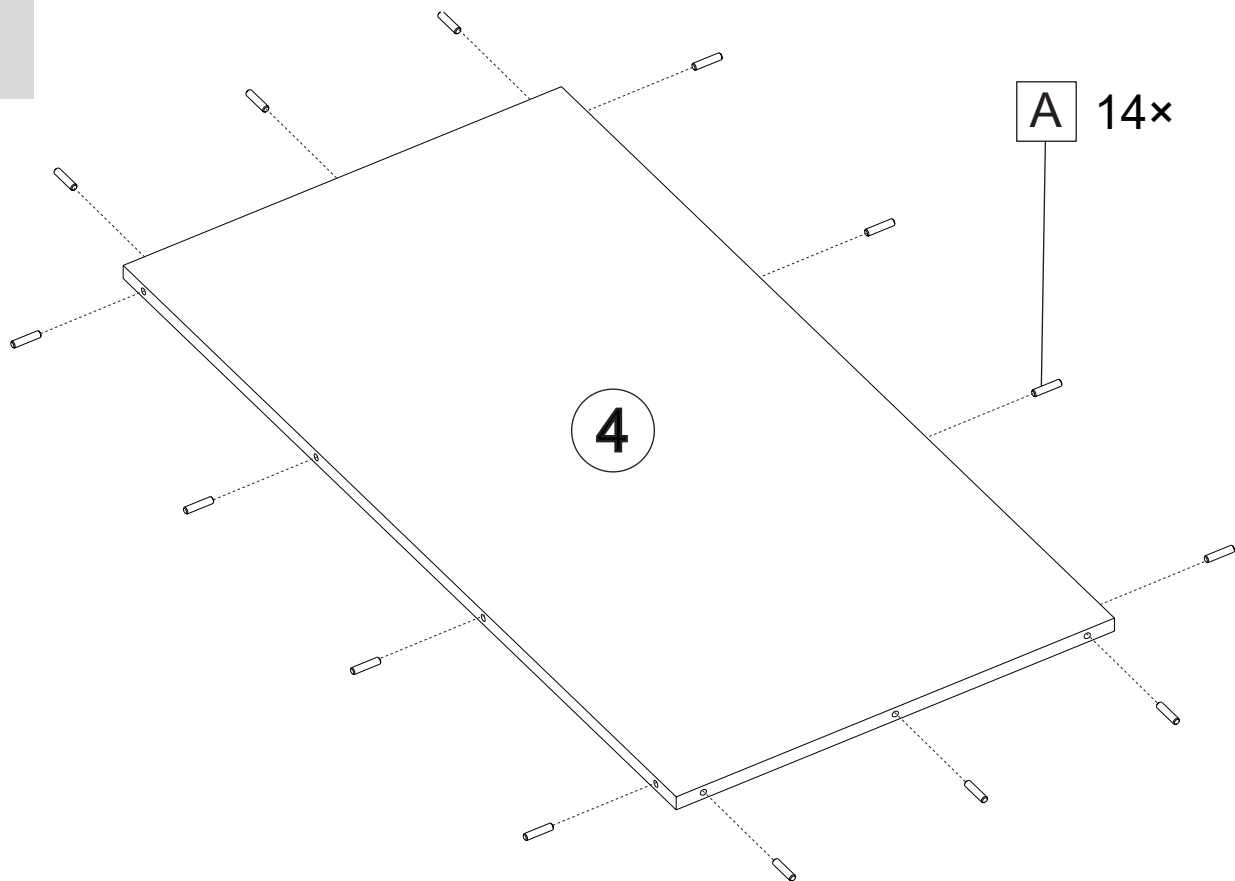
1



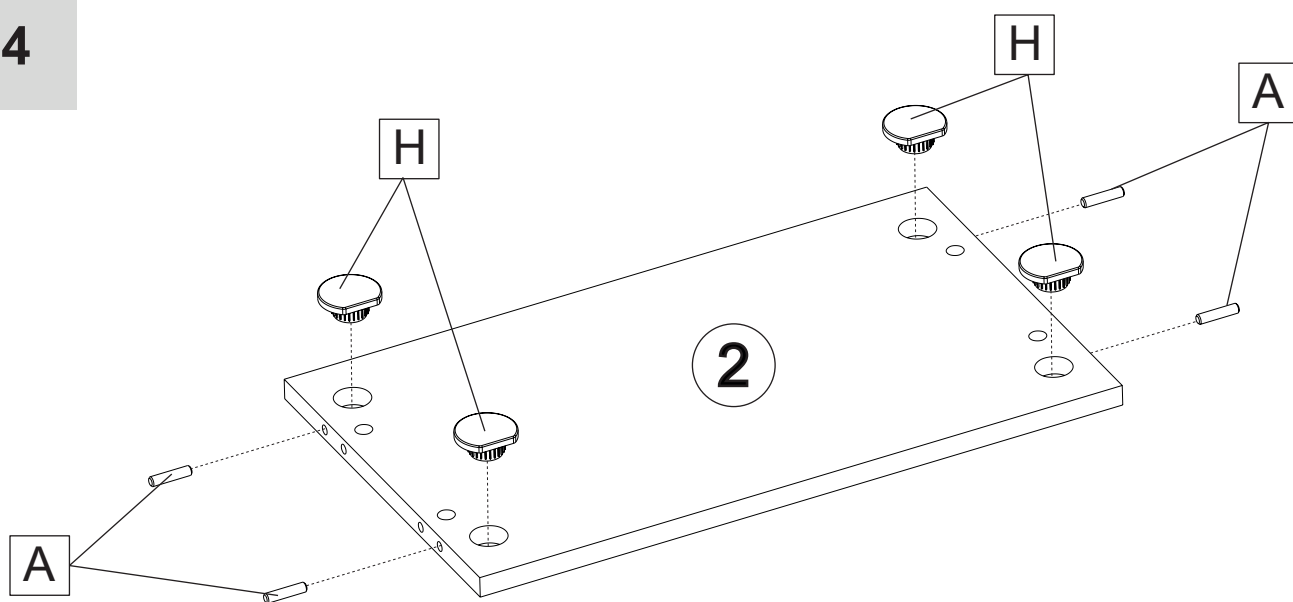
2



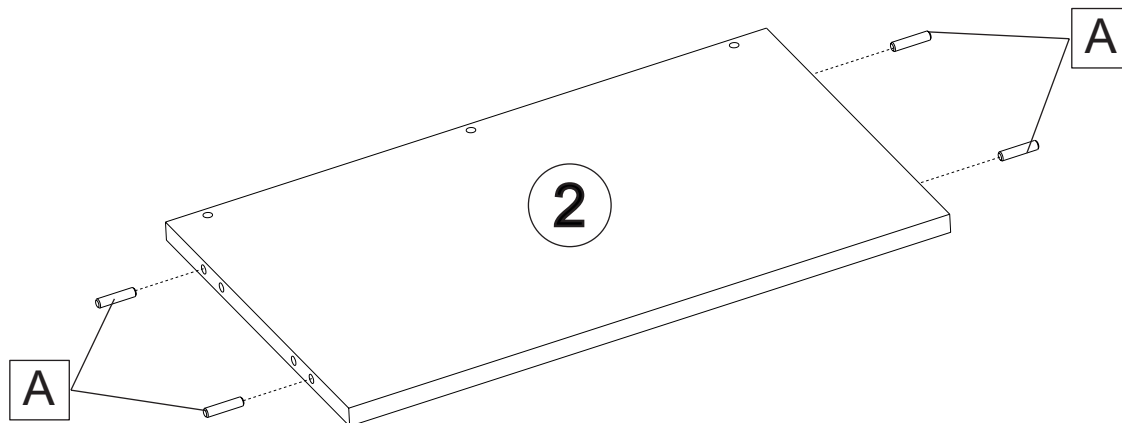
3



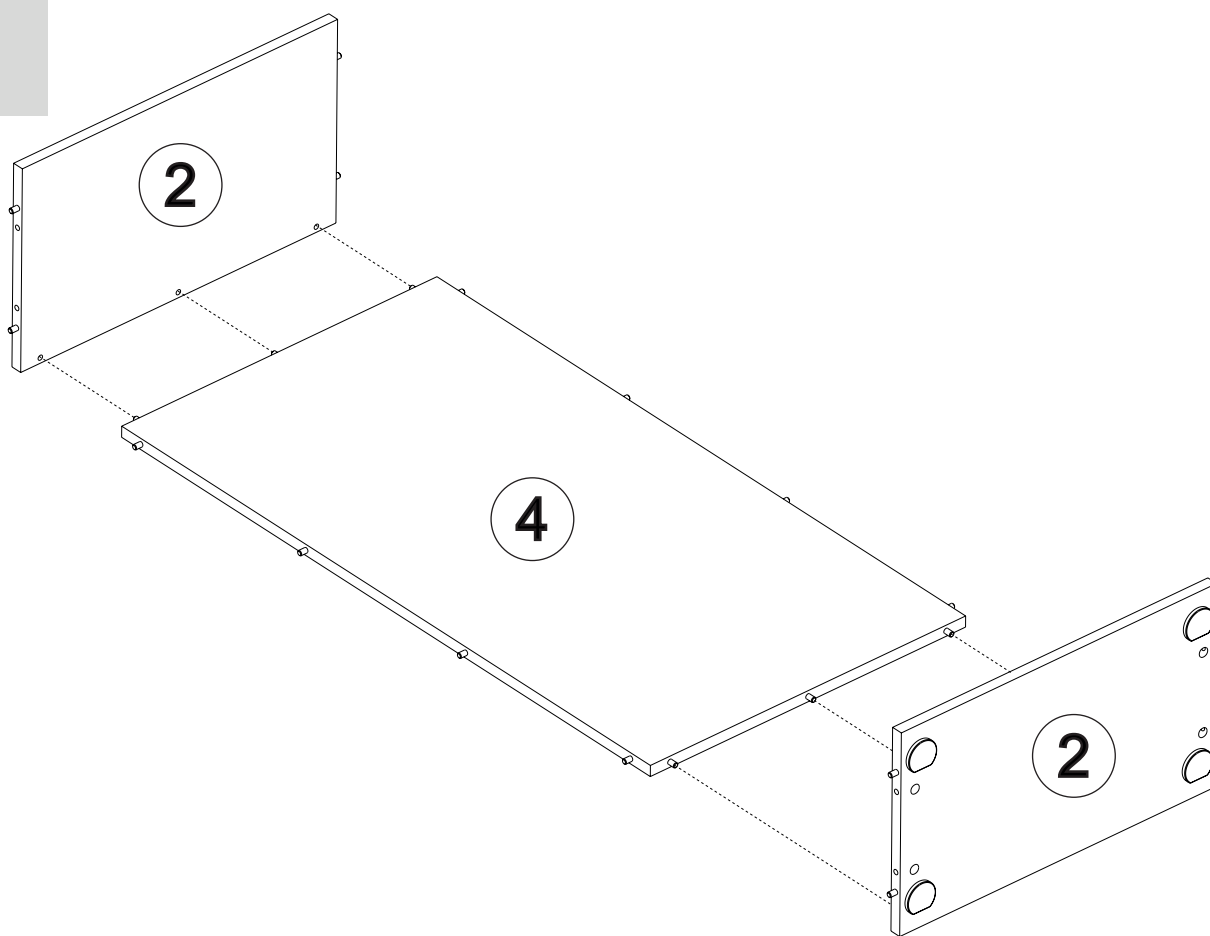
4



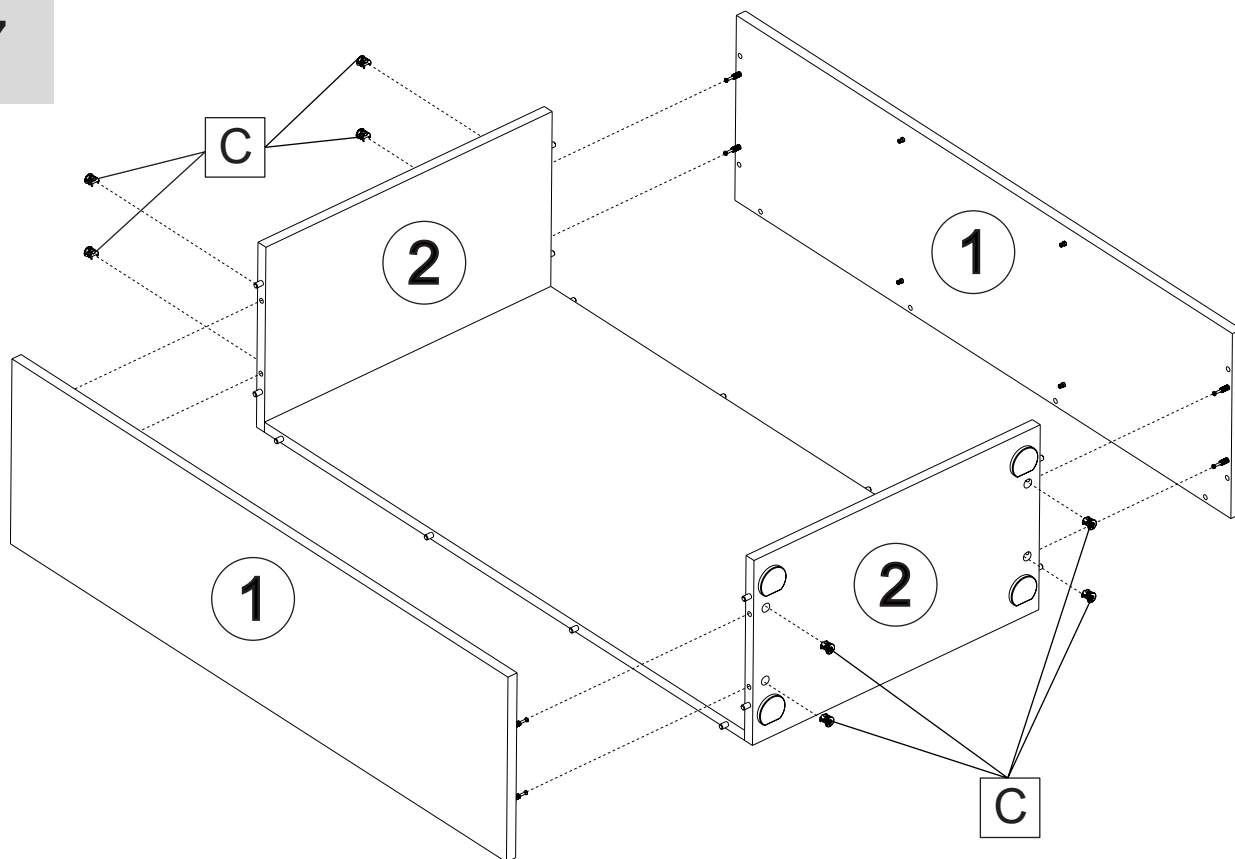
5



6

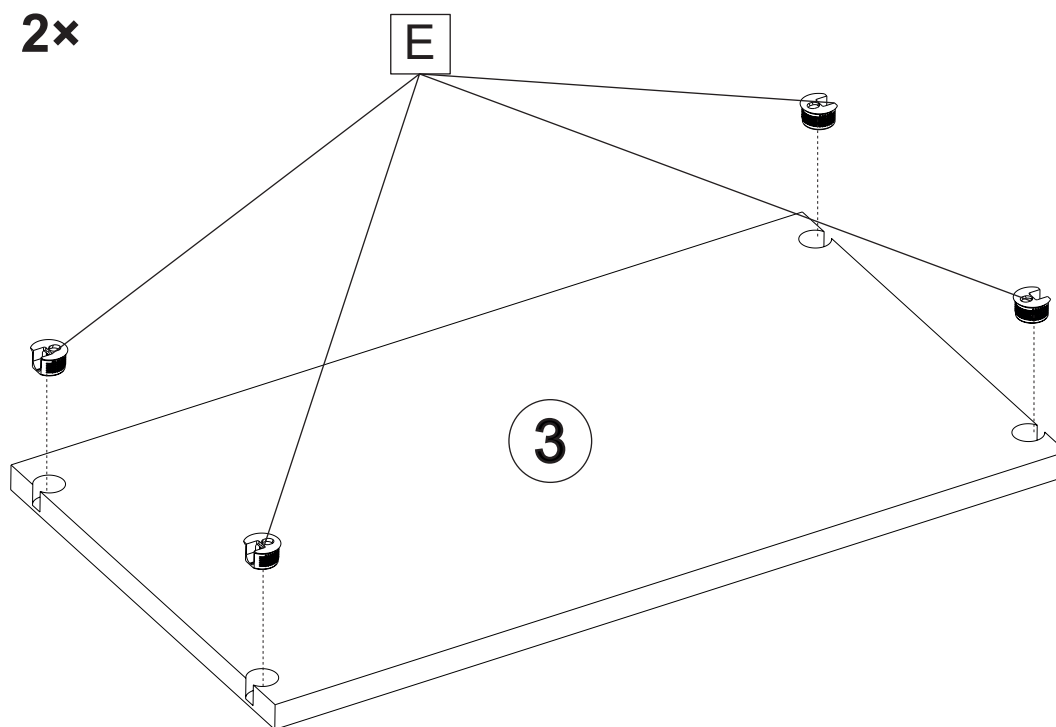


7

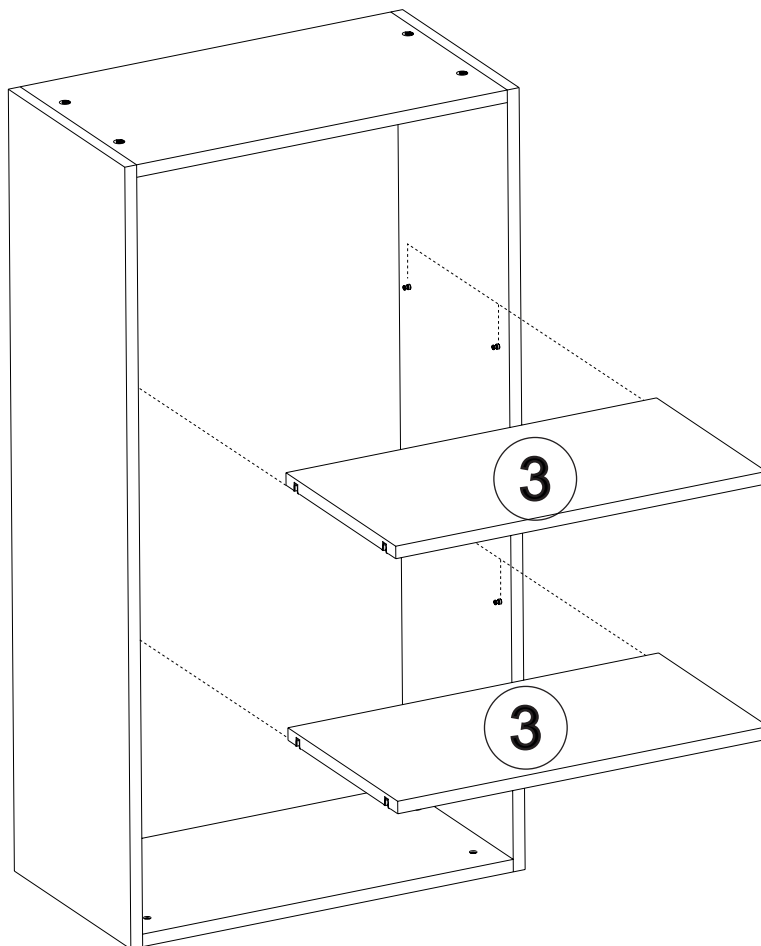


8

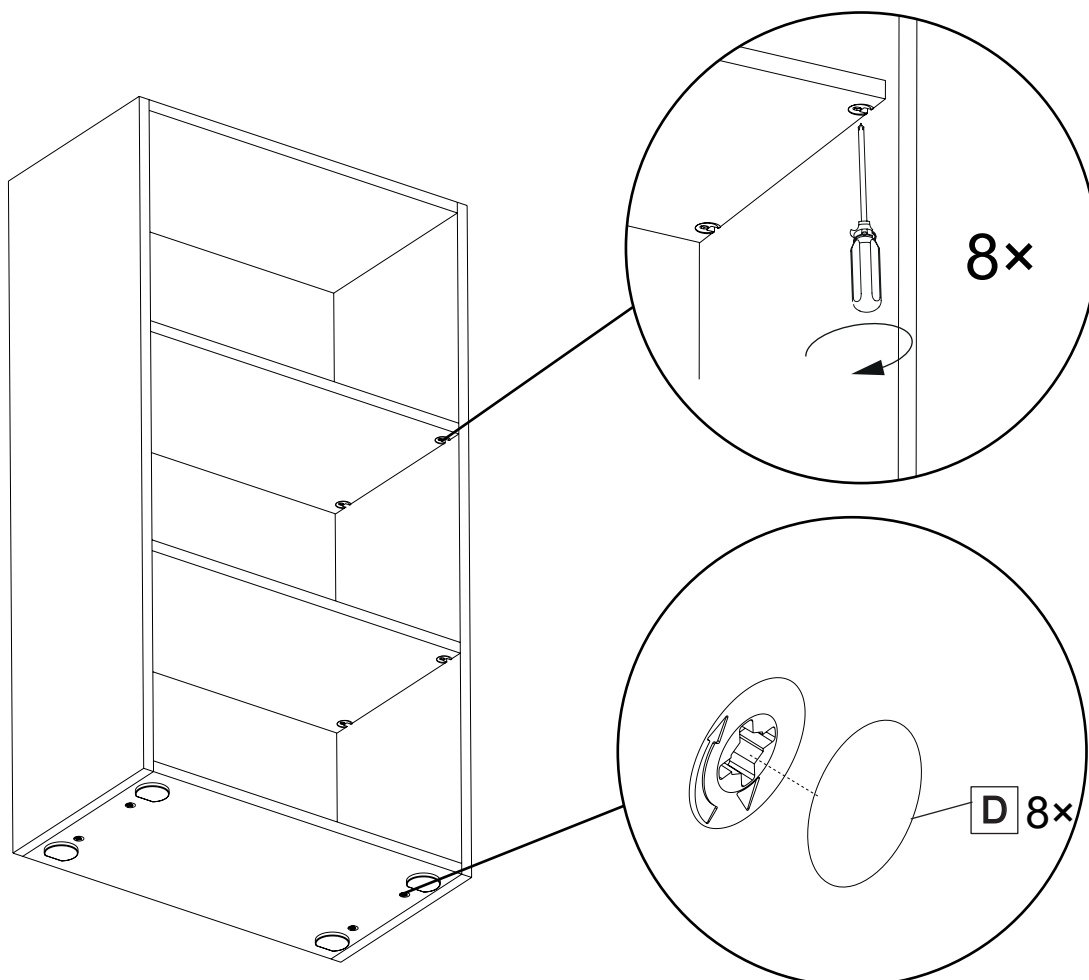
2x



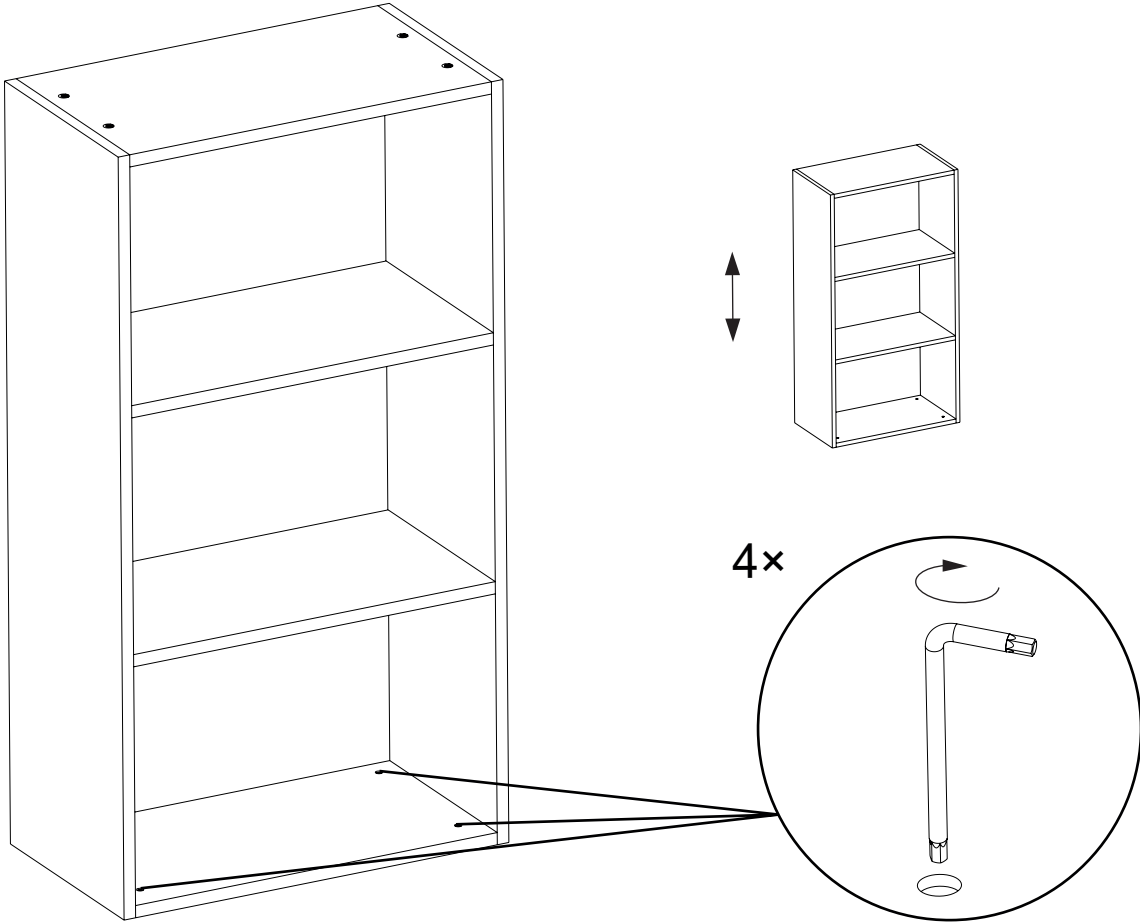
9



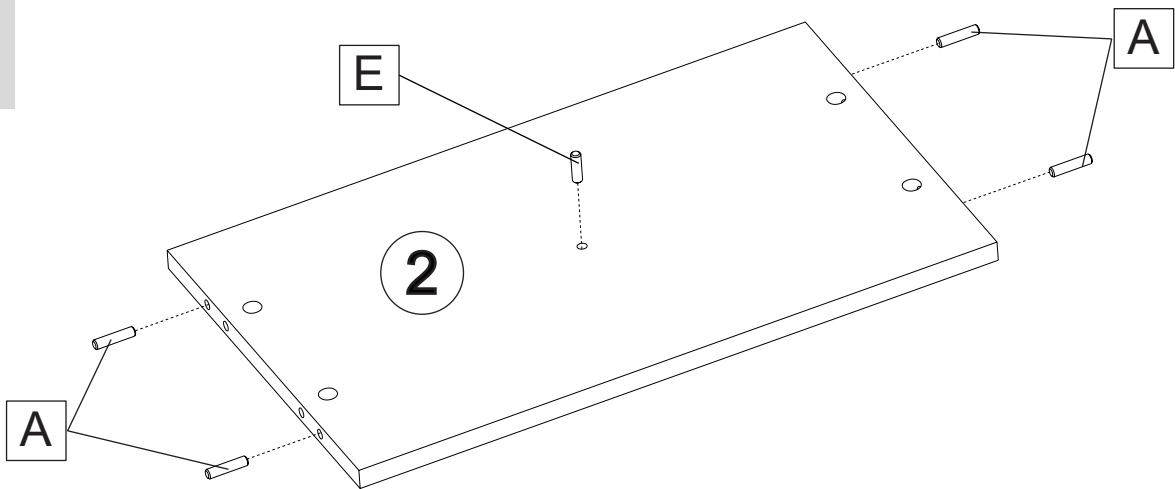
10



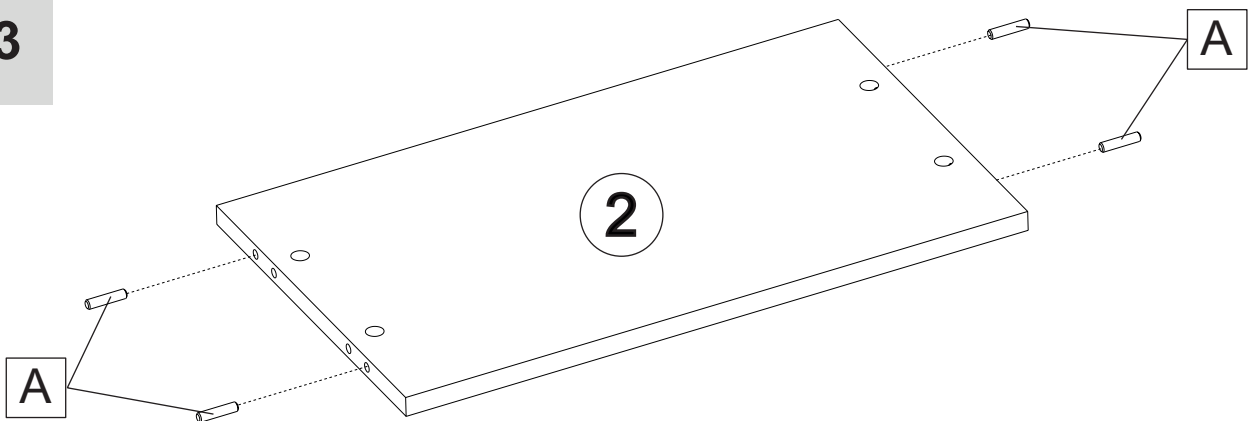
11



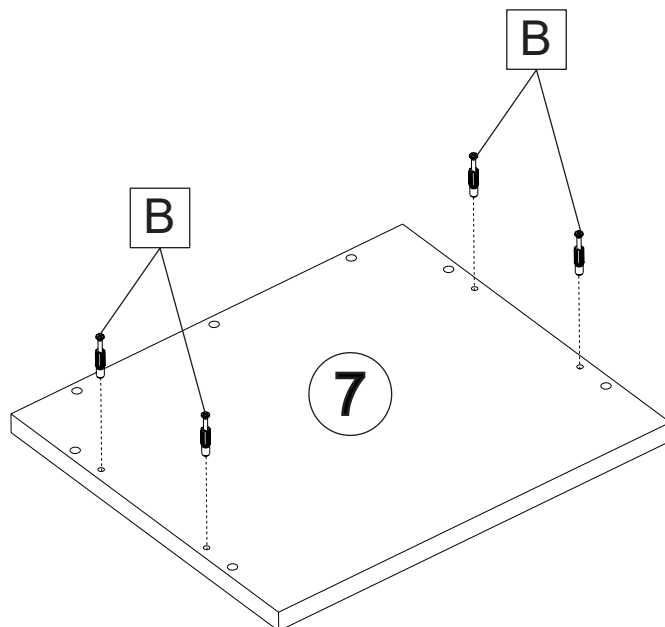
12



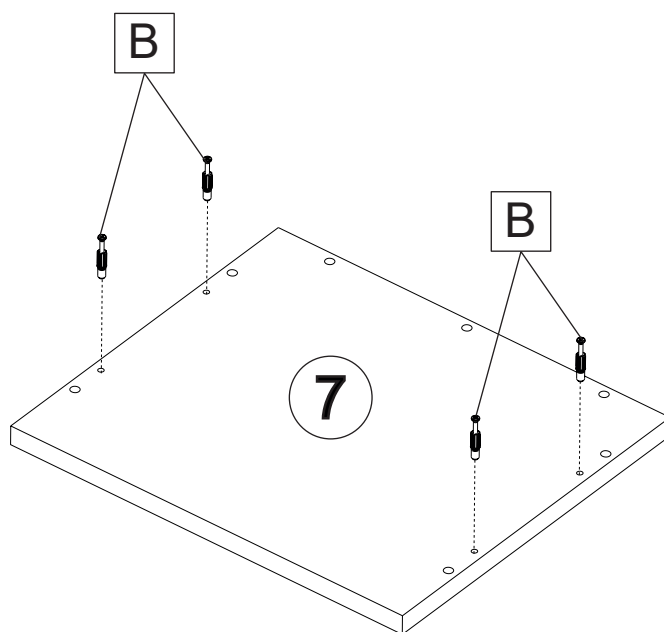
13



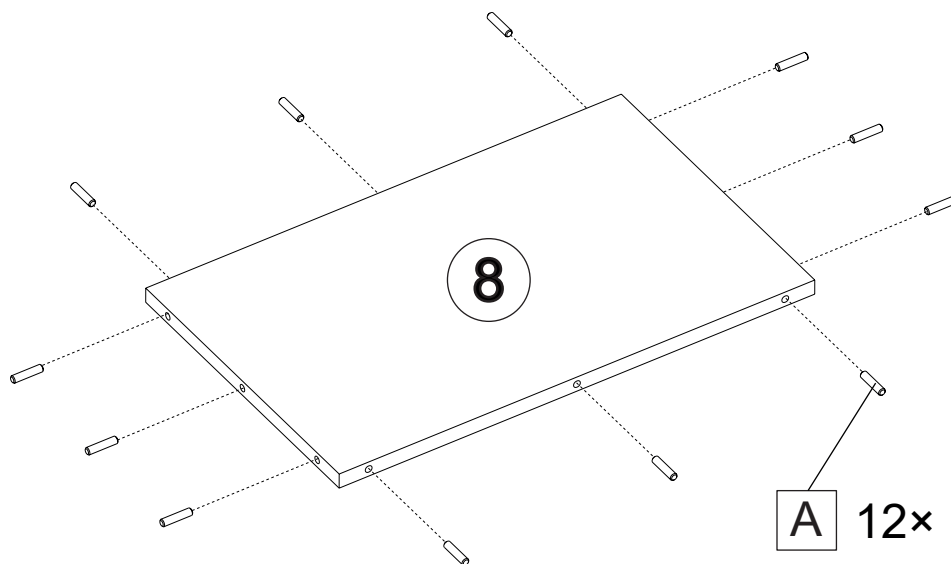
14



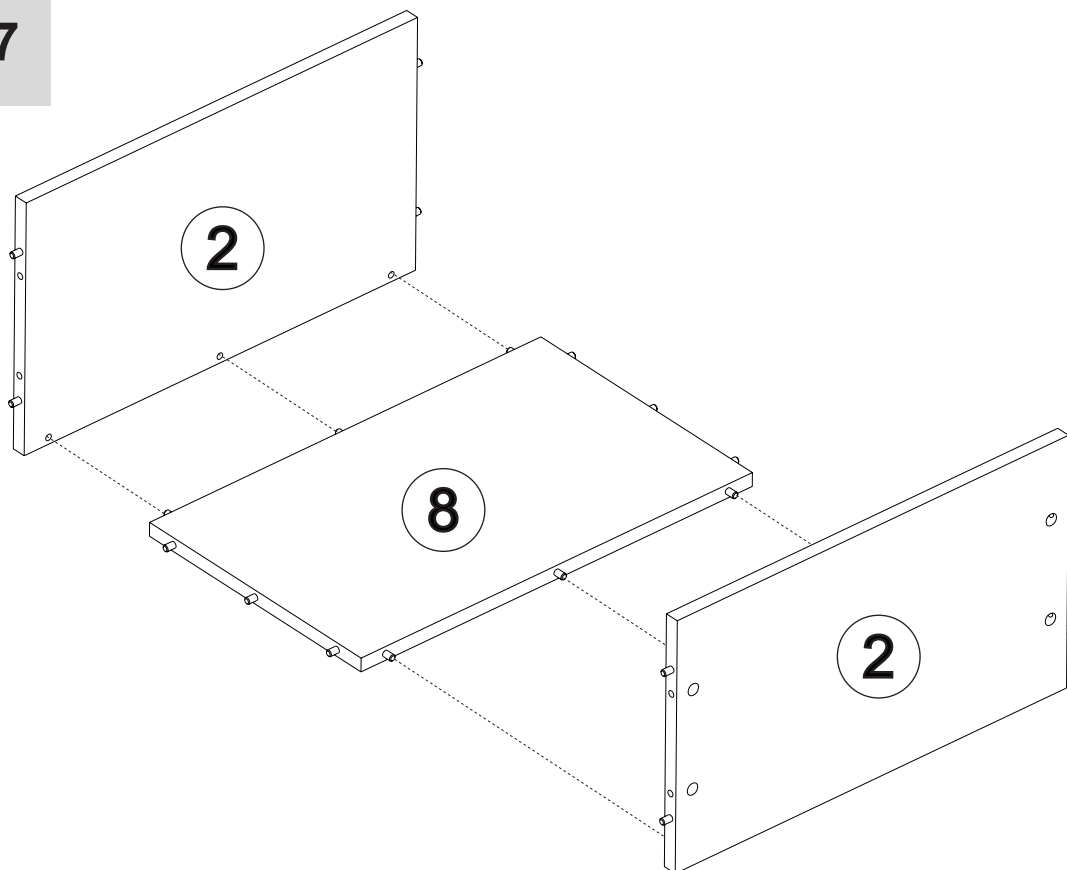
15



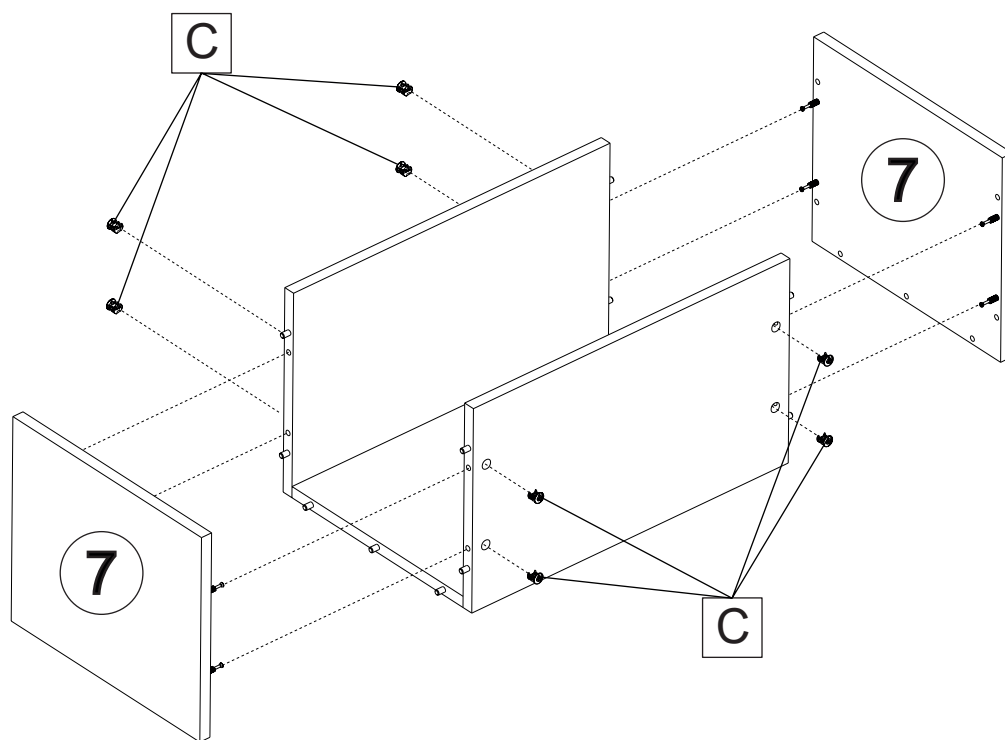
16



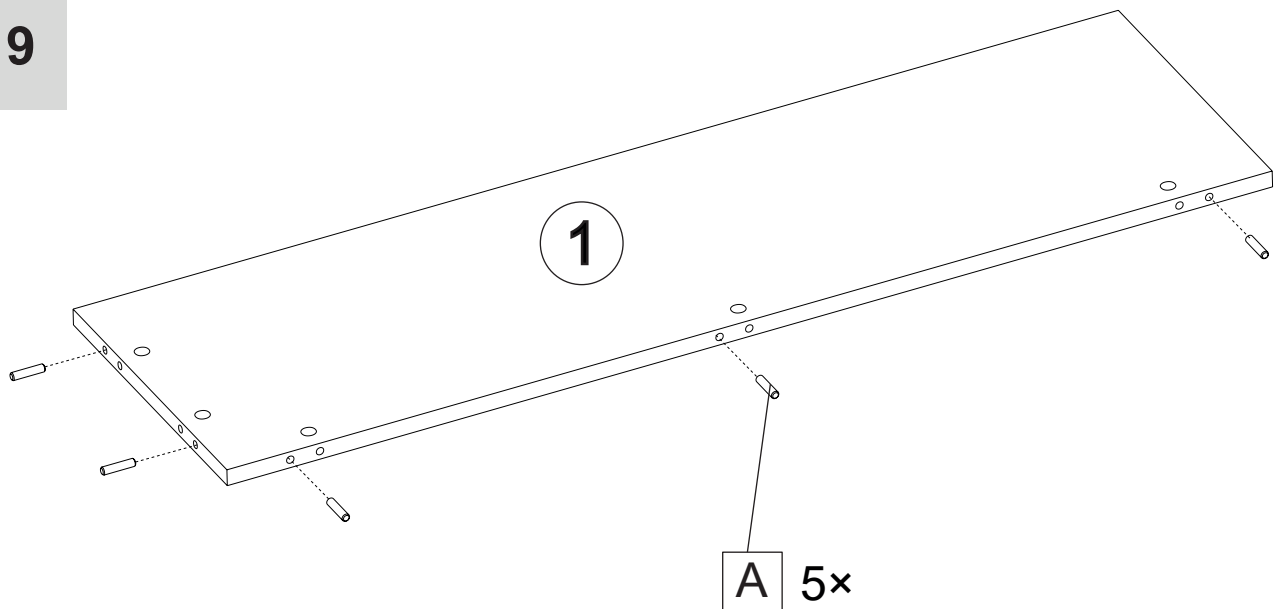
17



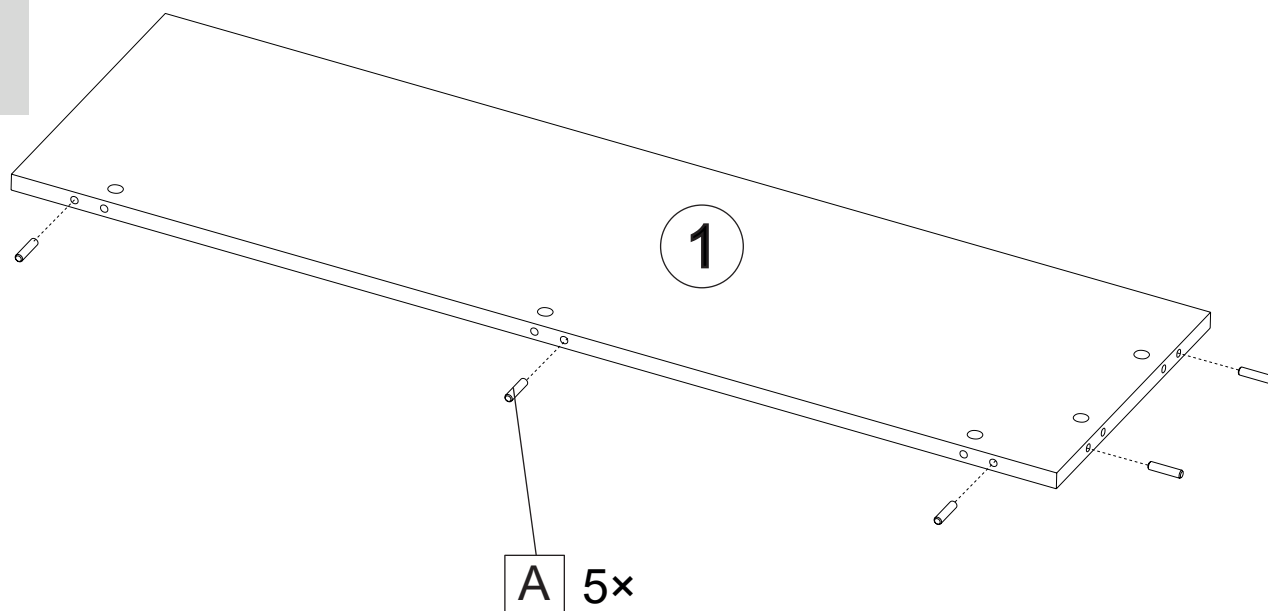
18



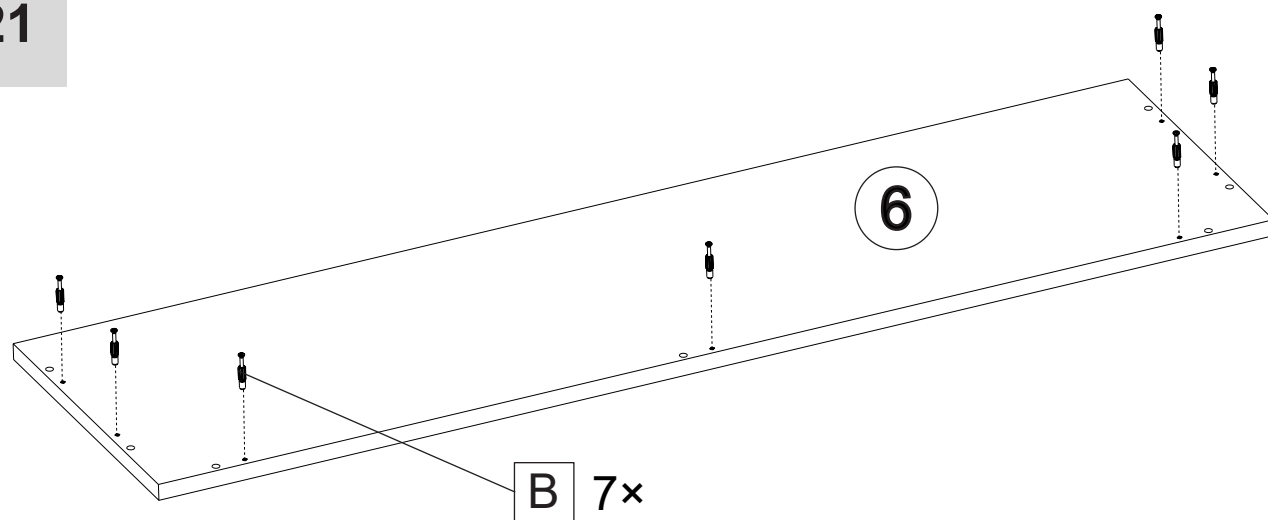
19



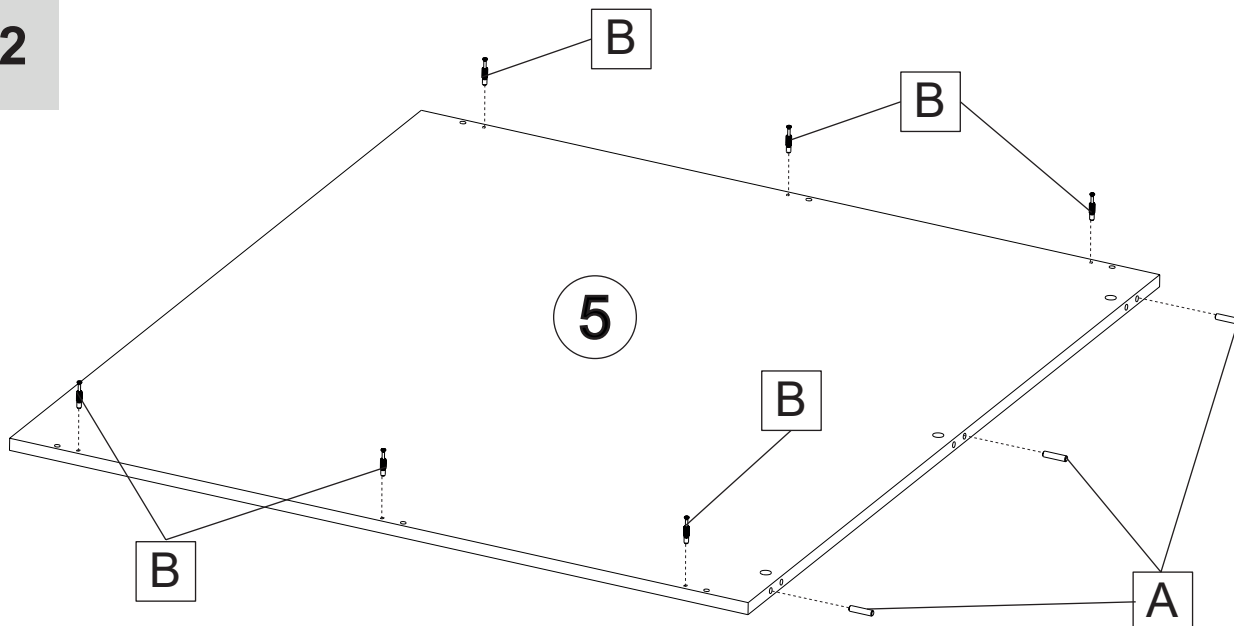
20



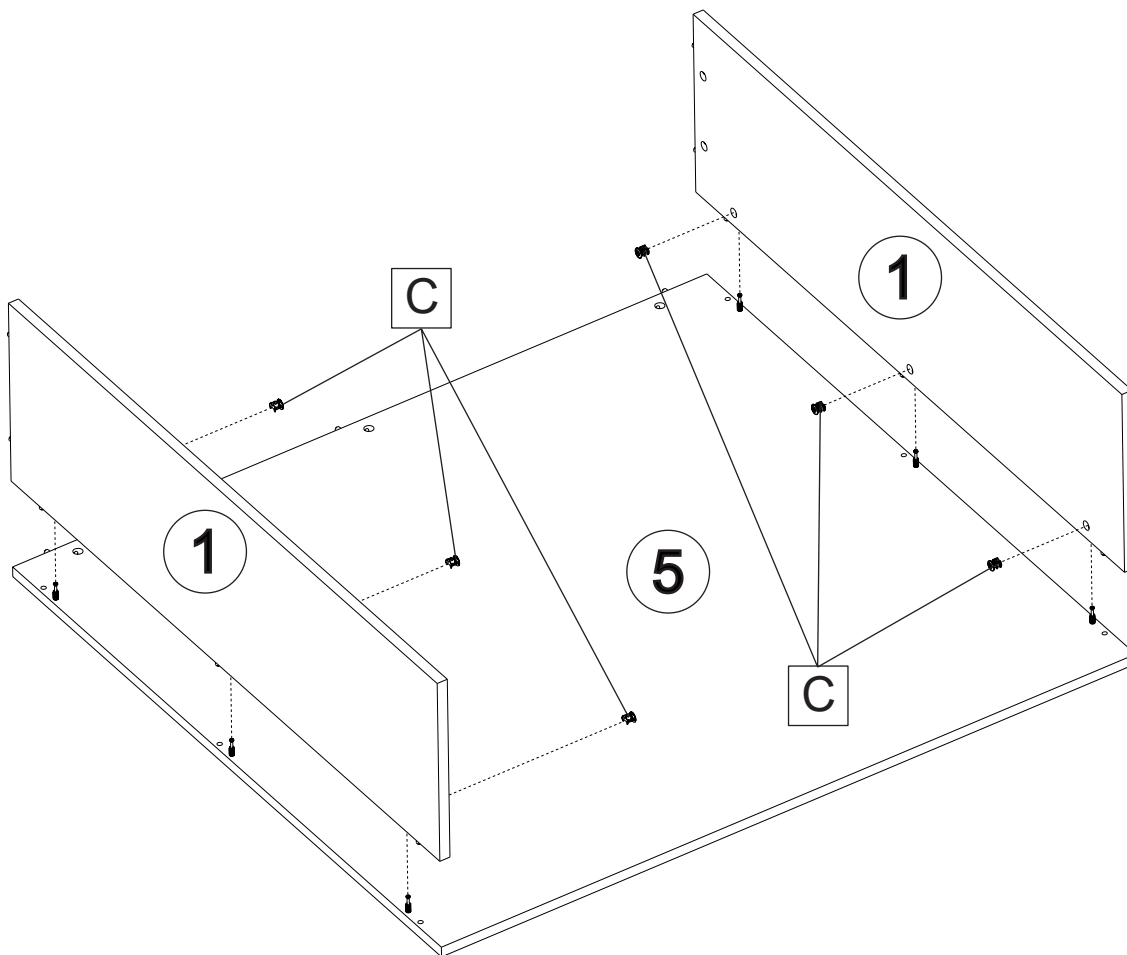
21

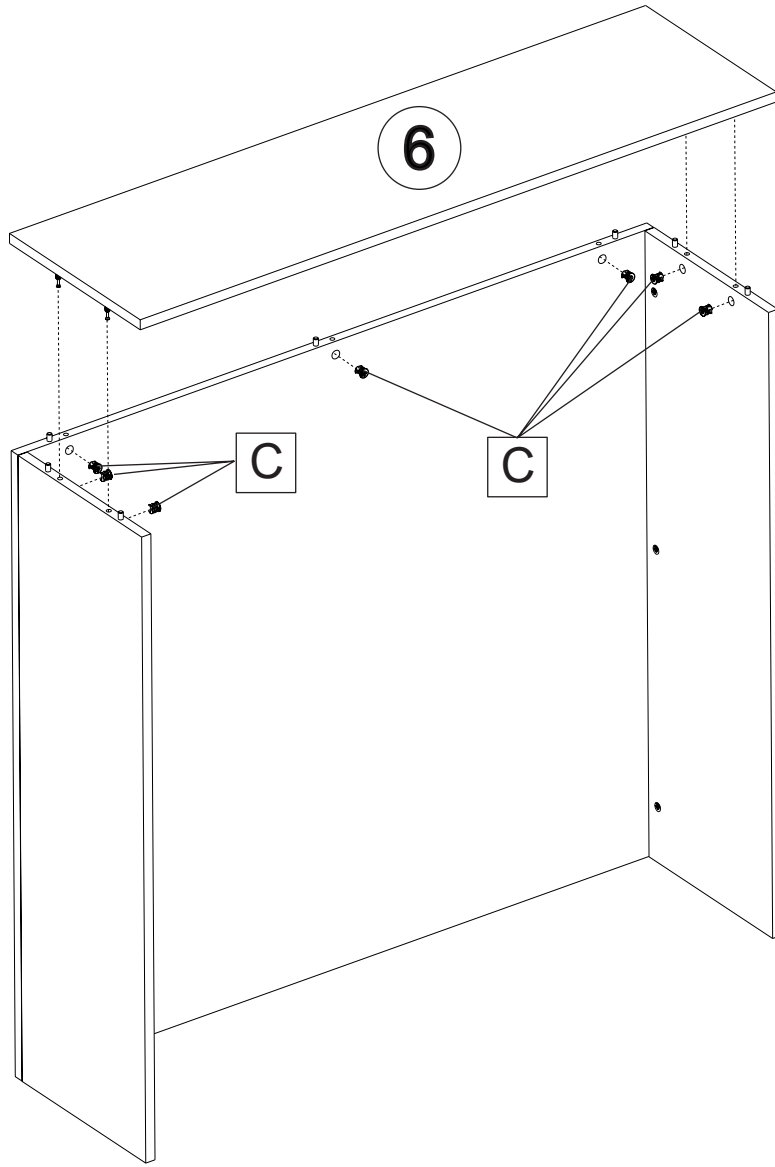


22



23





24

